

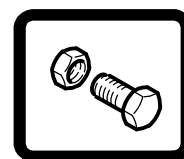
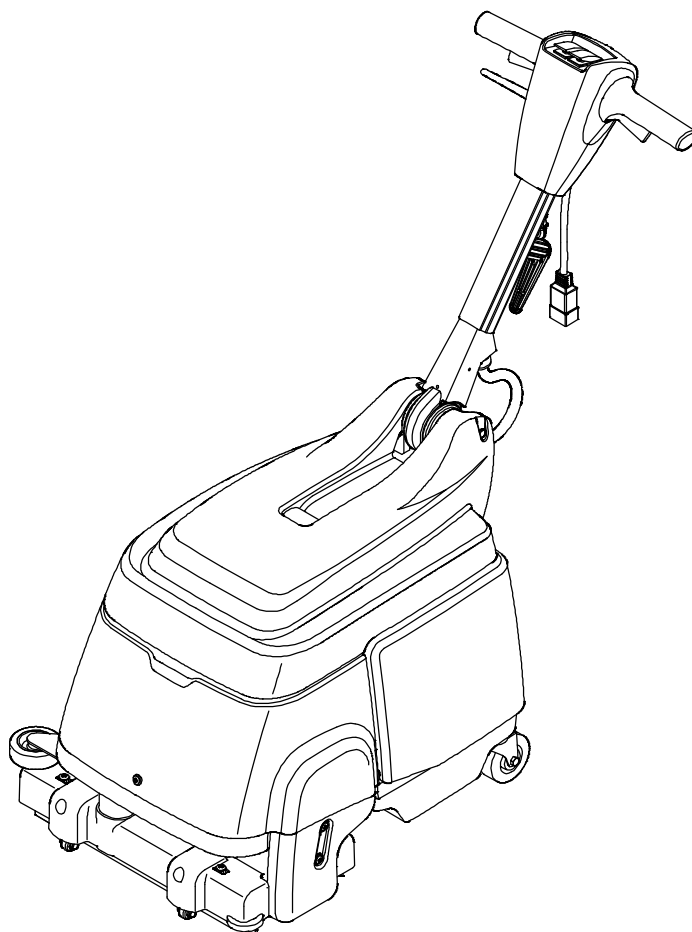


Model 9004200 – 120V

# SPEED SCRUB®

CORDED FLOOR SCRUBBER  
(S/N 30000000–40000000)

## PARTS MANUAL

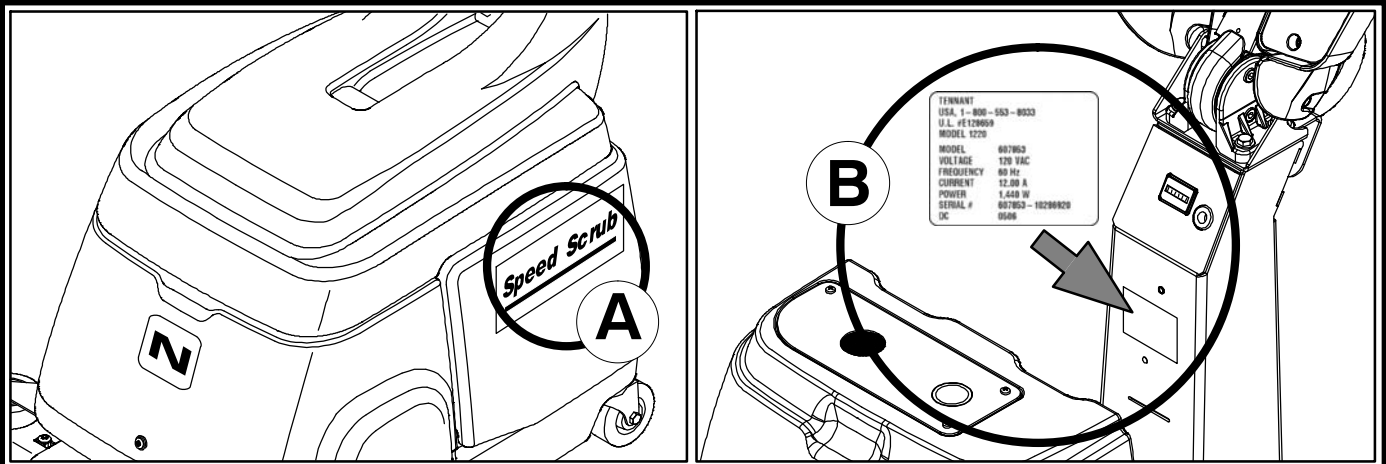


For the latest Parts manuals and other  
language Operator manuals, visit:

[www.nobles.com/manuals](http://www.nobles.com/manuals)

9012804  
Rev. 02 (09-2018)





| Ref | Part No. | Serial Number   | Description                     | Qty. |
|-----|----------|-----------------|---------------------------------|------|
| 1   | 82681    | (000000— )      | Bracket Wldt, Lpg Mount         | 1    |
| 2   | 63810    | (000000— )      | Latch Assy, Lpg Tank Mtg, W/Nut | 4    |
| 3   | 51839    | (000000— )      | Nut Adjustable, Lpg Tank Mtg    | 2    |
| 4   | 49263    | (000000— )      | Tie, Cable                      | 3    |
| (D) | 82556    | (000000—001039) | Bracket, Vaporizer              | 1    |
|     | 54930    | (000000— )      | Vaporizer, LPG                  | 1    |

**HOW TO ORDER PARTS – See diagram above**

Only use TENNANT Company supplied or equivalent parts. Parts and supplies may be ordered online, by phone, by fax or by mail.

Follow the steps below to ensure prompt delivery.

1. (A) Identify the machine model.
2. (B) Identify the machine serial number from the data label.
3. (C) Ensure the proper serial number is used from the parts list.
4. Identify the part number and quantity.  
Do not order by page or reference numbers.
5. Provide your name, company name, customer ID number, billing and shipping address, phone number and purchase order number.
6. Provide detail shipping instructions.

- (D) ▽ – identifies an assembly  
 ▲ – identifies parts included in assembly

**Please fill out at time of installation for future reference.**

Model No. – \_\_\_\_\_

Serial No. – \_\_\_\_\_

Machine Options – \_\_\_\_\_

Sales Rep. – \_\_\_\_\_

Sales Rep. phone no. – \_\_\_\_\_

Customer ID Number – \_\_\_\_\_

Installation Date – \_\_\_\_\_

**Tennant Company**  
 PO Box 1452  
 Minneapolis, MN 55440 USA  
 Phone: (800) 553-8033  
 www.nobles.com

**TENNANT Cleaning Systems & Equipment (Shanghai) Co., Ltd**  
 Building 1, No. 37777, Caoying Road Qingpu, China 201712  
 Phone: 86 21 6922 5333  
 Fax: 86 21 6922 5151  
 www.tennantco.com.cn

Specifications and parts are subject to change without notice.

Copyright © 2014-2018 TENNANT Company, Printed in China.

**STANDARD PARTS**

---

GENERAL RECOMMENDED MAINTENANCE  
ITEMS ..... 5

HANDLE GROUP ..... 6

FRAME GROUP ..... 8

TANKS AND SHROUD GROUP ..... 10

TANK COVER GROUP ..... 12

VACUUM FAN GROUP ..... 14

SOLUTION GROUP ..... 16

SCRUB HEAD GROUP ..... 18

SCRUB HEAD LIFT GROUP ..... 20

SQUEEGEE GROUP, FRONT AND REAR ..... 22

DOCUMENTATION GROUP ..... 24

ELECTRICAL DIAGRAM ..... 25

WIRE HARNESS, CHASSIS ..... 26

**RECOMMENDED MAINTENANCE ITEMS**

---

## RECOMMENDED MAINTENANCE ITEMS

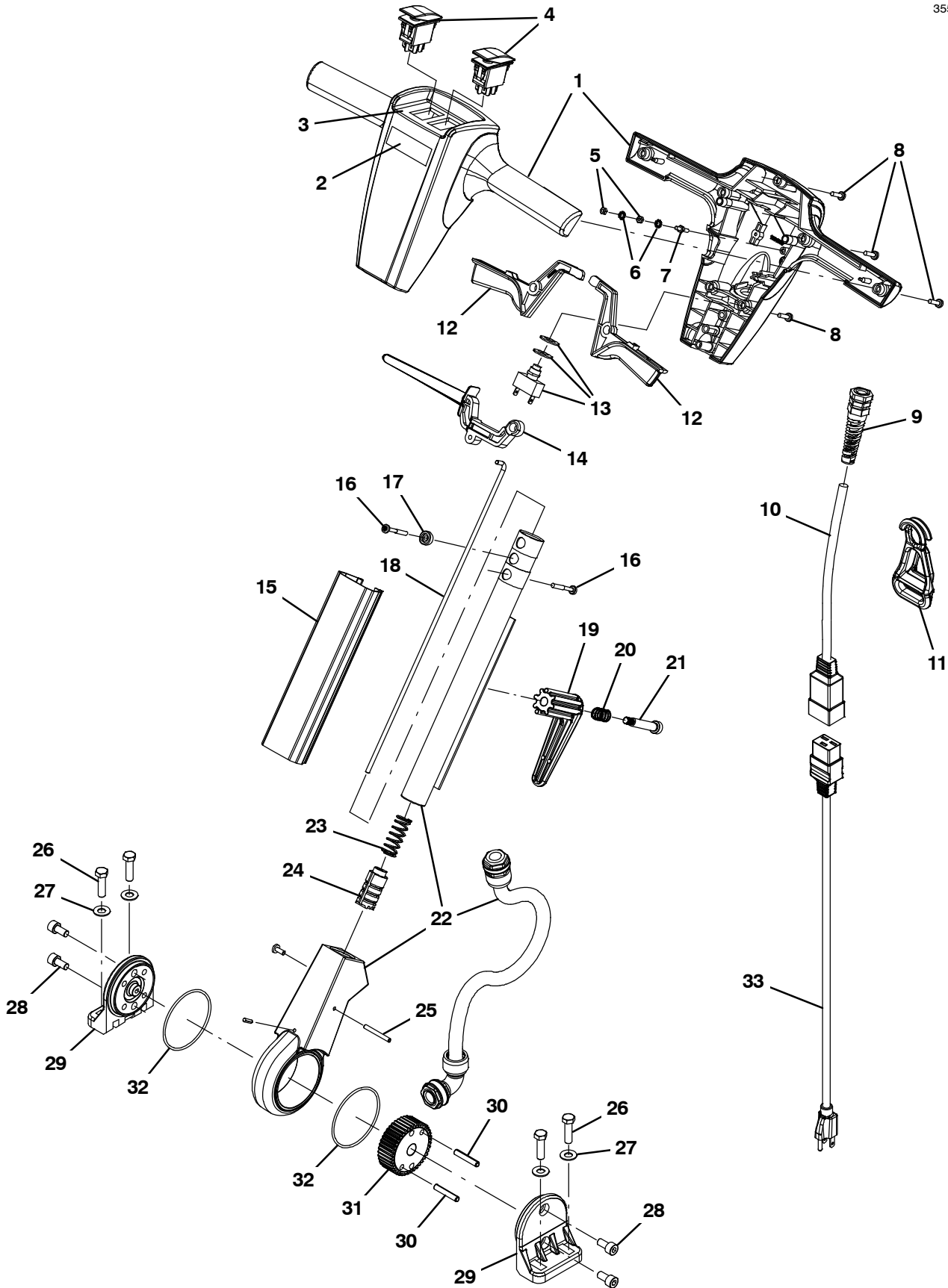
---

### GENERAL RECOMMENDED MAINTENANCE ITEMS

| Ref. | Part No. | Serial Number        | Description                                     | Qty. |
|------|----------|----------------------|---|------|
|      | 1230230  | (30000000-40000000 ) | Wheel, 03.0d 0.88w 0.31b,[Ch]                   | 3    |
|      | 601443   | (30000000-40000000 ) | Caster, Swivel, 3.0d 1.3w, .50-13 Stem          | 2    |
|      | 9004283  | (30000000-40000000 ) | Belt Kit, W/ Installation Tool                  | 1    |
|      | 1037197  | (30000000-40000000 ) | Brush, Scrub, 89mm Od X 386mm, Nylon (Standard) | 1    |
|      | 1037277  | (30000000-40000000 ) | Brush, Scrub, 89mm Od X 386mm, Poly (Optional)  | 1    |
|      | 1037278  | (30000000-40000000 ) | Brush, Scrub, 89mm Od X 386mm, Grit (Optional)  | 1    |
|      | 9008581  | (30000000-40000000 ) | Wheel Kit, Sqge, W/ Hdwr                        | 1    |
|      | 1057241  | (30000000-40000000 ) | Blade Assy, Sqge, Inner, Ure                    | 2    |
|      | 1050943  | (30000000-40000000 ) | Blade Assy, Sqge, Outer, Ure                    | 2    |
|      | 1052876  | (30000000-40000000 ) | Gasket, Tank                                    | 2    |
|      | 1074694  | (30000000-40000000 ) | Filter, Tube, Soltn, 200mesh                    | 1    |

HANDLE GROUP

355054



## HANDLE GROUP

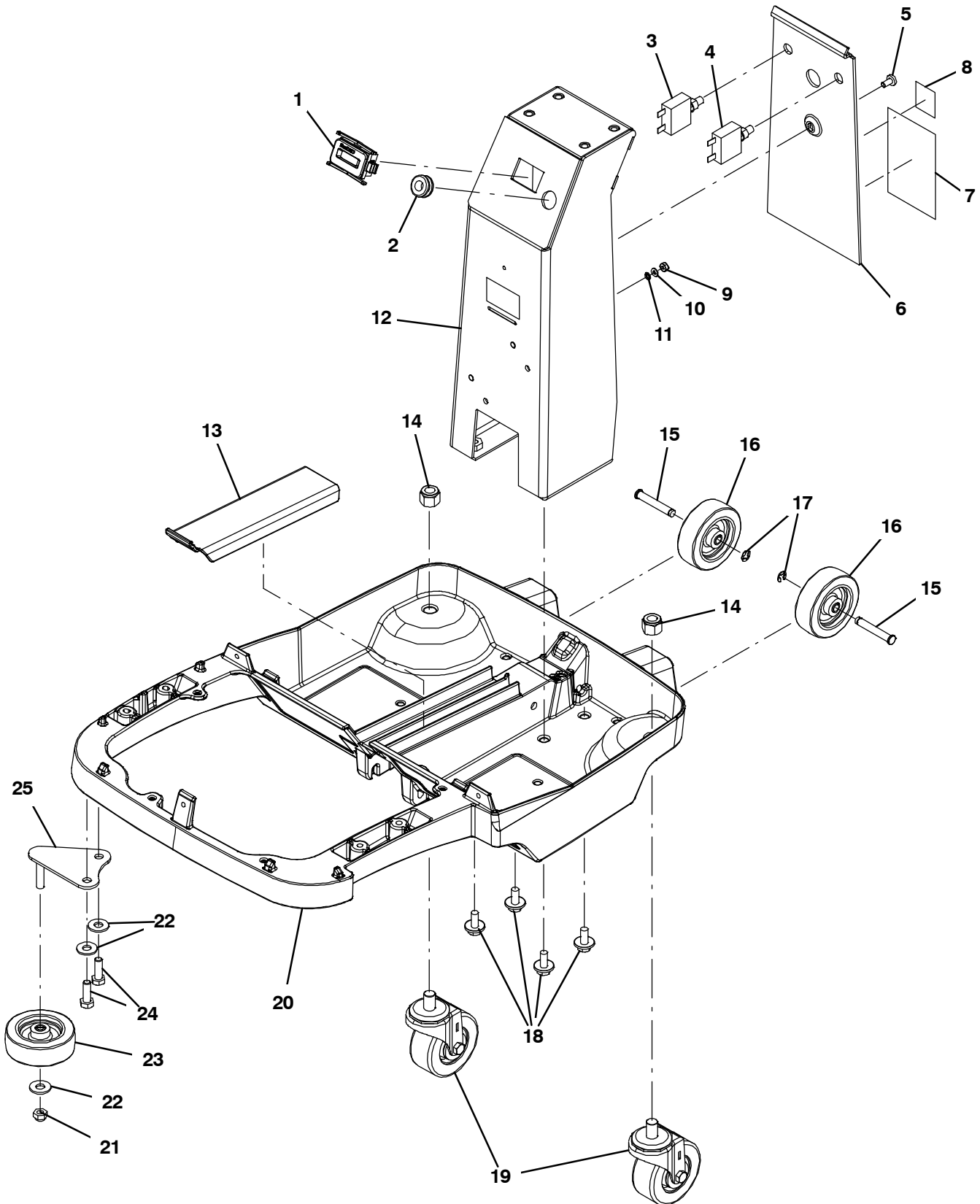
| Ref. | Part No.   | Serial Number       | Description                              | Qty. |
|------|------------|---------------------|--|------|
| ▽    | 9005511    | (30000000-40000000) | Handle, Nobles Speed Scrub 15"           | 1    |
| ▲▽   | 1 9004323  | (30000000-40000000) | Cover, Handle Front/Rear Nobles Ss Kit   | 1    |
| ▲▲   | 2 1039088  | (30000000-40000000) | Label, Logo, Handle [Nobles]             | 1    |
| ▲▲   | 3 1037324  | (30000000-40000000) | Label, Opertnl, Instrmt Panl, Scrubber   | 1    |
| ▲    | 4 602919   | (30000000-40000000) | Switch, Rocker, Dpdt, On / On            | 2    |
| ▲    | 5 42368    | (30000000-40000000) | Nut, Hex, Std, M4 X 0.70, 8              | 2    |
| ▲    | 6 140061   | (30000000-40000000) | Washer, Lock, Ext, 08, Pl                | 2    |
| ▲    | 7 1034952  | (30000000-40000000) | Screw, Hex, M4 X 0.7 X 12, Dbl Thrd      | 1    |
| ▲    | 8 1043573  | (30000000-40000000) | Screw, #10-14 X 0.675, Spl[Shcs,Selftap] | 7    |
| ▲    | 9 130166   | (30000000-40000000) | Grip, Cord, Strainrelief Pg-11 W/Nut Bk  | 1    |
| ▲    | 10 1042410 | (30000000-40000000) | Cord, 14ga /3, 16.0l, W/ Receptacle, Yel | 1    |
| ▲    | 11 130176  | (30072485-40000000) | Clip, Cord, Strainrelief [Belt]          | 1    |
|      | 11 1037147 | (30000000-30072484) | Clip, Cord, Strainrelief, Black          | 1    |
| ▲    | 12 1033893 | (30000000-40000000) | Lever, Cntrl, Switch [Trex]              | 2    |
| ▲    | 13 9008568 | (30000000-40000000) | Switch Kit, W/ Washers, Fr/ F/1063165    | 1    |
| ▲    | 14 1034945 | (30000000-40000000) | Lever, Adjmt, Handle                     | 1    |
| ▲    | 15 1034181 | (30072159-40000000) | Cover, Handle, Gray                      | 1    |
|      | 15 1036599 | (30000000-30072158) | Cover, Handle, Nobles [Trex]             | 1    |
| ▲    | 16 1043572 | (30000000-40000000) | Screw, #10-14 X 0.15, Spl[Shcs Selftap]  | 2    |
| ▲    | 17 1034176 | (30000000-40000000) | Bushing, Flng, 5mmb 12mmd 8mml, Pa6      | 1    |
| ▲    | 18 1034180 | (30000000-40000000) | Rod, Release [Trex]                      | 1    |
| ▲    | 19 603104  | (30000000-40000000) | Hook, Cord, Blk [Quick-Release]          | 1    |
| ▲    | 20 603108  | (30000000-40000000) | Spring, Cmpr, Switch                     | 1    |
| ▲    | 21 140239  | (30000000-40000000) | Bolt, Shld, .38d X 1.75, .31-18          | 1    |
| ▲    | 22 1045239 | (30000000-40000000) | Tube, Assy, Handle [W/Harnesses]         | 1    |
| ▲    | 23 1013295 | (30000000-40000000) | Spring, Cmpr [2100 Series]               | 1    |
| ▲    | 24 9006059 | (30000000-40000000) | Plunger Kit, Handle                      | 1    |
| ▲    | 25 1034924 | (30000000-40000000) | Pin, Roll, 04mmd X 40mml                 | 1    |
| ▲    | 26 1016399 | (30000000-40000000) | Screw, Hex, M8 X 1.25 X 30, NI, Ss       | 4    |
| ▲    | 27 140027  | (30000000-40000000) | Washer, Flat, 0.35b 0.75d .04, Ss        | 4    |
| ▲    | 28 49609   | (30000000-40000000) | Screw, Soc, M8 X 1.25 X 16, 12.9         | 4    |
| ▲    | 29 1000307 | (30000000-40000000) | Handle, Pivot, Half                      | 2    |
| ▲    | 30 1034155 | (30000000-40000000) | Pin, Roll, 06mmd X 36mml                 | 2    |
| ▲    | 31 1034872 | (30000000-40000000) | Gear, Lock, Handle                       | 1    |
| ▲    | 32 612422  | (30000000-40000000) | Seal, Org, Gear Seat                     | 2    |
|      | 33 1042403 | (30000000-40000000) | Cord, Power, 1.5mm /3 Yel[2x15m 50ft Us] | 1    |

▽ ASSEMBLY

▲ INCLUDED IN ASSEMBL

FRAME GROUP

355056





## FRAME GROUP

| Ref. | Part No. | Serial Number       | Description                             | Qty.                                      |   |
|------|----------|---------------------|---|---|---|
| 1    | 1064038  | (30000000-40000000) | Gauge, Hourmeter, 05-277 Volt, Ac / Dc  | 1   |   |
| 2    | 86726    | (30000000-40000000) | Grommet, Rbr, 0.44id, F/0.5h, .19 Matl  | 1   |   |
| 3    | 383720   | (30000000-40000000) | Circuitbreaker, 05.0a, Resetable        | 1   |   |
| 4    | 383722   | (30000000-40000000) | Circuitbreaker, 15.0a, Resetable        | 1   |   |
| 5    | 74027    | (30000000-40000000) | Screw, Pan, Phl, M6 X 1.00 X 12, NI, PI | 1   |   |
| ▽    | 6        | 9004277             | (30000000-40000000)                     | Cover Kit, Column, W/ Label [3gal 120v]   | 1 |
| ▲    | 7        | 1039105             | (30000000-40000000)                     | Label,Warning,Ac Scrbr/Extr [En/Fr/Es/Jp] | 1 |
| ▲    | 8        | NA                  | (30000000-40000000)                     | Label, Safety, 120vac [EtI]               | 1 |
| 9    | 1044427  | (30000000-40000000) | Nut, Hex, Lock, #8-32, NI, Ss           | 1   |   |
| 10   | 41578    | (30000000-40000000) | Washer, Flat, 06, Ss                    | 1   |   |
| 11   | 02938    | (30000000-40000000) | Washer, Lock, Int, 08, Ss               | 1   |   |
| 12   | 9004276  | (30000000-40000000) | Column Kit, Sppt, W/ Label [3 Gal]      | 1   |   |
| 13   | 1030718  | (30000000-40000000) | Cover, Frame, Rear [Trex]               | 1   |   |
| 14   | 02931    | (30000000-40000000) | Nut, Hex, Lock, .50-13, NI, Ss          | 2   |   |
| 15   | 1035137  | (30000000-40000000) | Pin, Clevis, Grvd 0.31d X 2.00l, Ss     | 2   |   |
| 16   | 1230230  | (30000000-40000000) | Wheel, 03.0d 0.88w 0.31b,[Ch]           | 2   |   |
| 17   | 1035139  | (30000000-40000000) | Ring, Retaining, Ext, 0.31d, E-Type     | 2   |   |
| 18   | 1020341  | (30000000-40000000) | Screw, Hex, M8 X 1.25 X 20, Ss, Sems    | 4   |   |
| 19   | 601443   | (30000000-40000000) | Caster, Swivel, 3.0d 1.3w, .50-13 Stem  | 2   |   |
| 20   | 1034013  | (30000000-40000000) | Frame (Machined)                        | 1   |   |
| 21   | 08713    | (30000000-40000000) | Nut, Hex, Lock, M8 X 1.25, NI, Ss       | 1   |   |
| 22   | 140027   | (30000000-40000000) | Washer, Flat, 0.35b 0.75d .04, Ss       | 3   |   |
| 23   | 1230230  | (30000000-40000000) | Wheel, 03.0d 0.88w 0.31b,[Ch]           | 1   |   |
| 24   | 49826    | (30000000-40000000) | Screw, Hex, M8 X 1.25 X 16, NI, Ss      | 2   |   |
| 25   | 1034805  | (30000000-40000000) | Bracket, Bumper Wheel                   | 1   |   |
| N/S  | 1033825  | (30000000-40000000) | Harness, Chassis, Ele, Scrbr, [T-Rex]   | 1   |   |

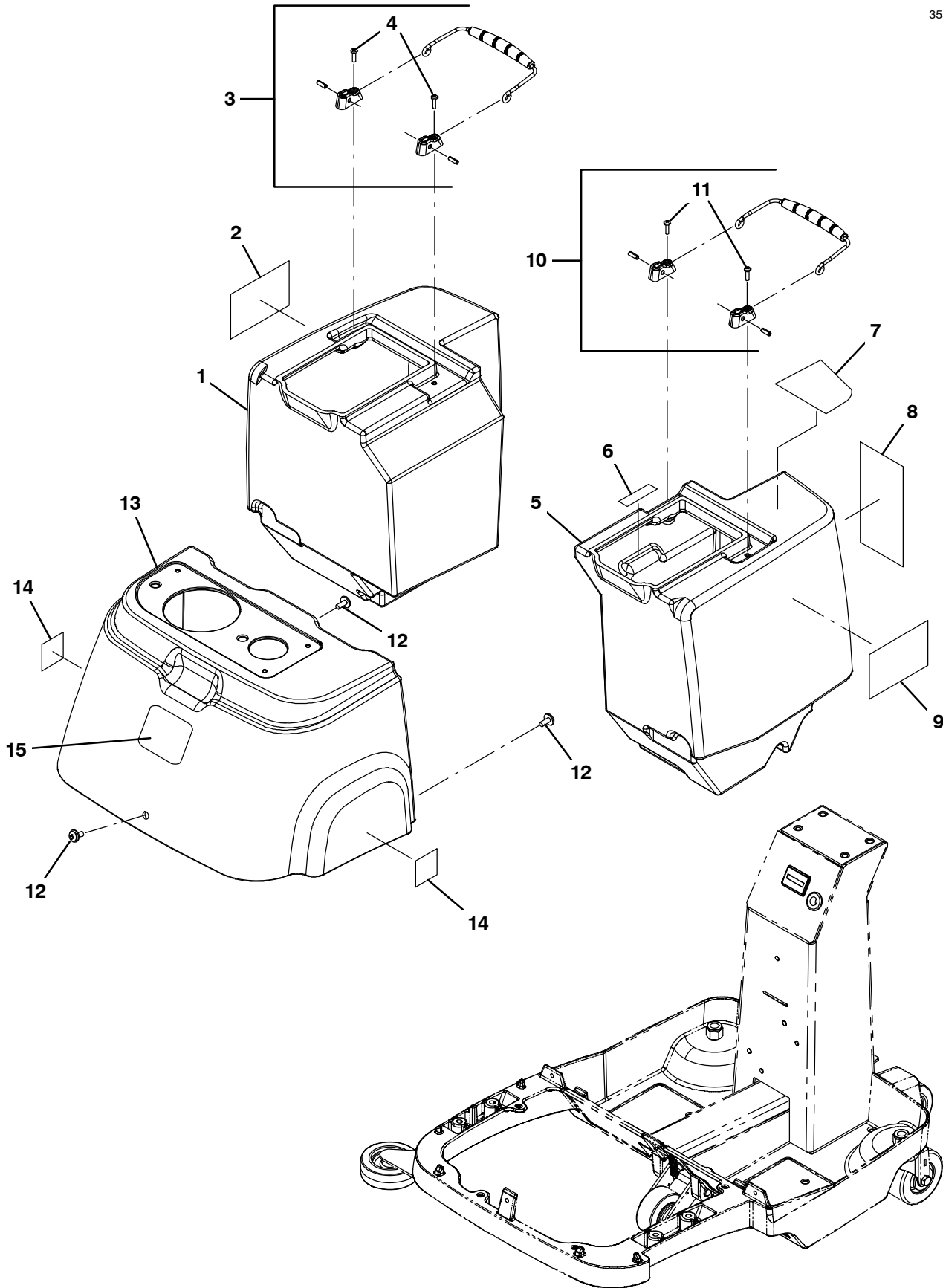
▽ ASSEMBLY

▲ INCLUDED IN ASSEMBLY

N/S = NOT SHOWN

TANKS AND SHROUD GROUP

355074



## TANKS AND SHROUD GROUP

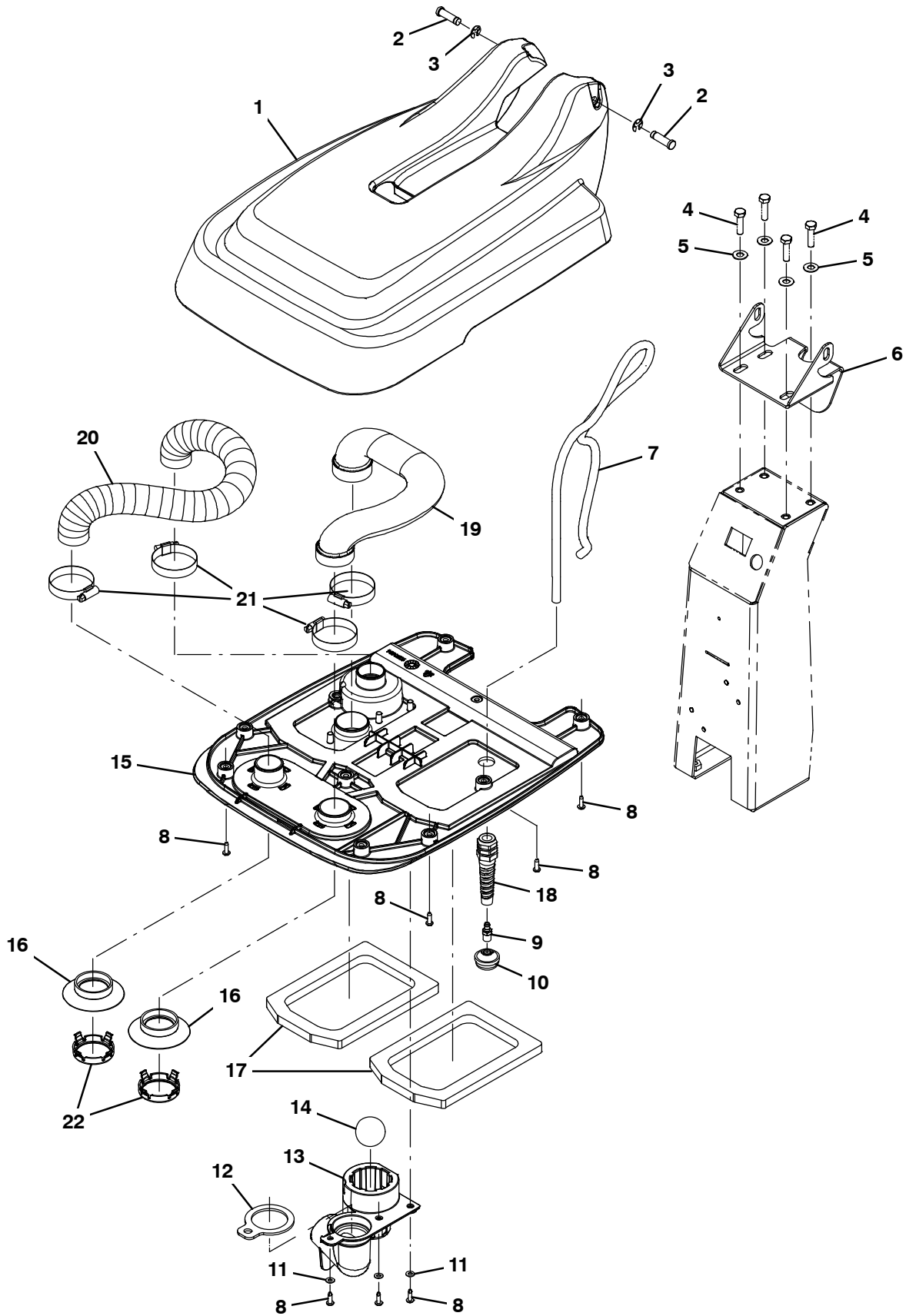
| Ref. | Part No. | Serial Number | Description   | Qty. |
|------|----------|---------------|---|------|
| ▽    | 1        | 9016188       | (30072199-40000000 ) Tank Kit, Recvy W/Labels [Nob Gray 3gal] | 1    |
|      | 1        | 9004313       | (30000000-30072198 ) Tank, Rec W/ Labels Nobles 3 Gal Kit     | 1    |
| ▲    | 2        | 1039498       | (30000000-40000000 ) Label, Side, Speed Scrub                 | 1    |
| ▲▽   | 3        | 9004285       | (30000000-40000000 ) Handle, Tank Kit                         | 1    |
| ▲▲   | 4        | 24265         | (30000000-40000000 ) Screw, Pan, Phl, M4 X 0.70 X 16, Ss      | 2    |
| ▽    | 5        | 9016189       | (30072199-40000000 ) Tank Kit, Soltn W/Labels [Nob Gray 3gal] | 1    |
|      | 5        | 9004315       | (30000000-30072198 ) Tank, Sol W/ Labels Nobles 3 Gal Kit     | 1    |
| ▲    | 6        | 1044865       | (30000000-40000000 ) Label, Solution, Tank, Max. Fill, 3 Gal. | 1    |
| ▲    | 7        | 1039138       | (30000000-40000000 ) Label, Tank, Soltn, 3.0gal               | 1    |
| ▲    | 8        | 1040112       | (30000000-40000000 ) Label, Oper, Instr [Scrubber]            | 1    |
| ▲    | 9        | 1039498       | (30000000-40000000 ) Label, Side, Speed Scrub                 | 1    |
| ▲▽   | 10       | 9004285       | (30000000-40000000 ) Handle, Tank Kit                         | 1    |
| ▲▲   | 11       | 24265         | (30000000-40000000 ) Screw, Pan, Phl, M4 X 0.70 X 16, Ss      | 2    |
|      | 12       | 1019349       | (30000000-40000000 ) Screw, Trs, M6 X 1.00 X 16, Ss, Sems     | 3    |
| ▽    | 13       | 9004302       | (30000000-40000000 ) Shroud, W/ Labels Nobles 3 Gal Kit       | 1    |
| ▲    | 14       | 578769        | (30000000-40000000 ) Decal, Moving Parts Textless             | 2    |
| ▲    | 15       | 1034636       | (30000000-40000000 ) Label, Front, 3.00 [Nobles Icon]         | 1    |

▽ ASSEMBLY

▲ INCLUDED IN ASSEMBLY

TANK COVER GROUP

355055



## TANK COVER GROUP

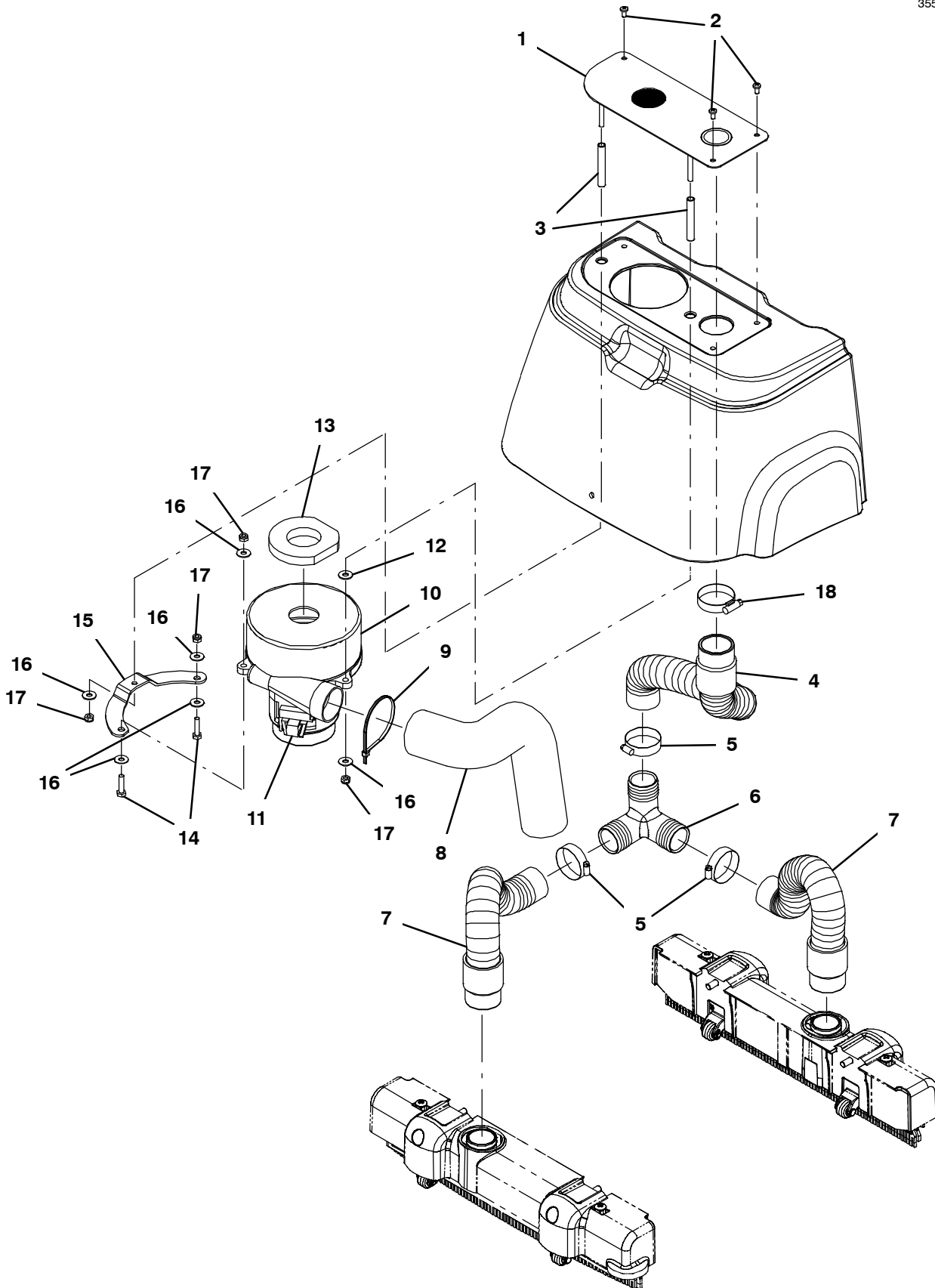
| Ref. | Part No. | Serial Number        | Description                              | Qty.                                     |   |
|------|----------|----------------------|--|--|---|
| 1    | 1037759  | (30000000-40000000 ) | Cover , Tanks, Upper, Nobles [Trex]      | 1  |   |
| 2    | 1035358  | (30000000-40000000 ) | Pin, Grvd, 0.375d, 1.25l                 | 2  |   |
| 3    | 24555    | (30000000-40000000 ) | Ring, Retaining, Ext, 0.38d, [E-Ring]    | 2  |   |
| 4    | 1016399  | (30000000-40000000 ) | Screw, Hex, M8 X 1.25 X 30, NI, Ss       | 4  |   |
| 5    | 140027   | (30000000-40000000 ) | Washer, Flat, 0.35b 0.75d .04, Ss        | 4  |   |
| 6    | 1034346  | (30000000-40000000 ) | Bracket, Pivot, Cover, Mtg               | 1  |   |
| 7    | 1036078  | (30000000-40000000 ) | Hose, Soltn, .25 Id, .453 Od, 39.25 L    | 1  |   |
| 8    | 140340   | (30000000-40000000 ) | Screw, Pan, Phl, 10-24 X 0.62, Ss[Typ25] | 13                                       |   |
| 9    | 1042715  | (30000000-40000000 ) | Fitting, Brs, Str, Bm04/Pm02             | 1  |   |
| 10   | 1074694  | (30000000-40000000 ) | Filter, Tube, Soltn, 200mesh             | 1  |   |
| 11   | 140011   | (30000000-40000000 ) | Washer, Flat, 0.21b 0.45d .03, Ss        | 2  |   |
| 12   | 1051274  | (30000000-40000000 ) | Gasket, Shield, Float                    | 1  |   |
| 13   | 1042277  | (30000000-40000000 ) | Shield, Float                            | 1  |   |
| 14   | 1044370  | (30000000-40000000 ) | Ball, Float, W/O Cage                    | 1  |   |
| ▽    | 15       | 9005924              | (30000000-40000000 )                     | Cover, Tank, Inner W/ Seals, Kit         | 1 |
| ▲    | 16       | 1036090              | (30000000-40000000 )                     | Seal, Vacuum [Trex]                      | 2 |
| ▲    | 17       | 1034801              | (30000000-40000000 )                     | Gasket, Tank                             | 2 |
| ▲    | 18       | 602849               | (30000000-40000000 )                     | Strainrelief, Cord, Ele, Pm08, Blk Nyl   | 1 |
|      | 19       | 1035866              | (30000000-40000000 )                     | Hose, Recvy, Formed [Trex]               | 1 |
|      | 20       | 1037756              | (30000000-40000000 )                     | Hose, Vacuum, 1.5od, 18.0l [Wire-Reinf]  | 1 |
|      | 21       | 140308               | (30000000-40000000 )                     | Clamp, Hose, Wormdrive, 1.31-2.25d, .50w | 4 |

▽ ASSEMBLY

▲ INCLUDED IN ASSEMBLY

VACUUM FAN GROUP

355061



## VACUUM FAN GROUP

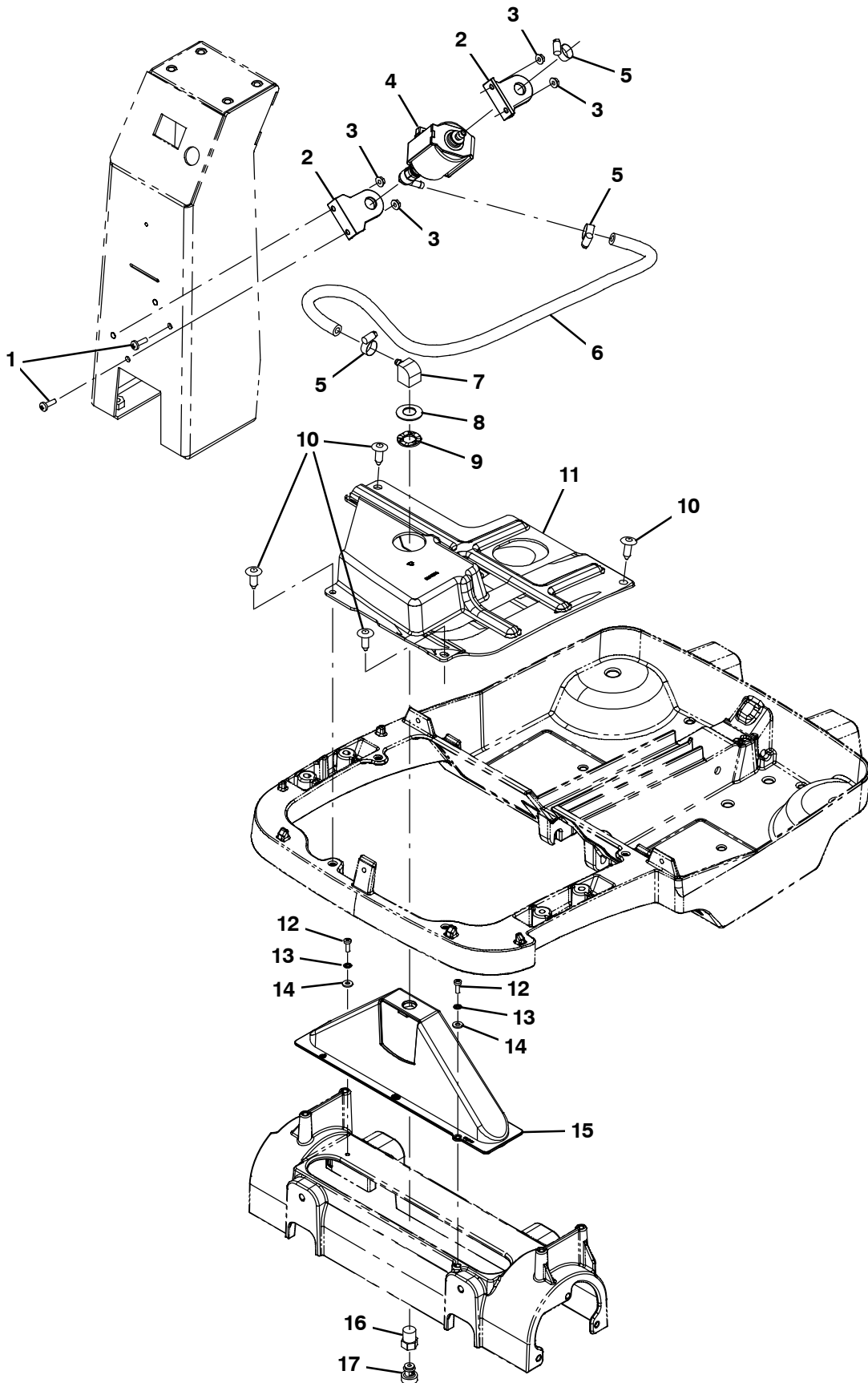
| Ref. | Part No.   | Serial Number        | Description   | Qty. |
|------|------------|----------------------|---|------|
| 1    | 1031960    | (30000000-40000000 ) | Plate, Mtg, Vacuum  | 1    |
| 2    | 1026454    | (30000000-40000000 ) | Screw, Pan, Phl, M5 X 0.80 X 10, Ss                                   | 3    |
| 3    | 610144     | (30000000-40000000 ) | Spacer, Fan   | 2    |
| 4    | 1038394    | (30000000-40000000 ) | Hose, Vacuum, 38.0id X 380.0l, 1cuff                                  | 1    |
| 5    | 79381      | (30000000-40000000 ) | Clamp, Hose, Wormdrive, 1.25-2.00d, .50w                              | 3    |
| 6    | 1031965    | (30000000-40000000 ) | Fitting, Brb, Pvc, 1.5in 3 Way X 90                                   | 1    |
| 7    | 1038391    | (30000000-40000000 ) | Hose, Vacuum, 38.0id X 330.0l, 1cuff                                  | 2    |
| 8    | 390677     | (30000000-40000000 ) | Muffler, Exhaust, Vacfan, Long  | 1    |
| 9    | 130773     | (30000000-40000000 ) | Tie, Cable, Nyl, 11.0l, .14w, 3.0 Max. D                              | 1    |
| ▽    | 10 9012566 | (30000000-40000000 ) | Fan Kit, Vacuum, 5.7d, 120vac, 2 Stage                                | 1    |
| 10   | 1071839    | (30000000-40000000 ) | Fan, Vacuum, 5.7d, 120vac, 2 Stage [Bpt]<br>(Replaced by Kit 9012566) | 1    |
| ▲    | 11 1071842 | (30000000-40000000 ) | Vr, Brush Kit, Vac Fan 1071839  | 1    |
| ▲    | 12 01684   | (30000000-40000000 ) | Washer, Flat, 0.27b 0.69d .05, Ss                                     | 1    |
| 13   | 630010     | (30000000-40000000 ) | Gasket, 12.7mm Th, 43mmid 73mmod                                      | 1    |
| 14   | 09007      | (30000000-40000000 ) | Screw, Hex, M6 X 1.00 X 25, Ss  | 2    |
| 15   | 1034069    | (30000000-40000000 ) | Plate, Vac Mounting   | 1    |
| 16   | 01684      | (30000000-40000000 ) | Washer, Flat, 0.27b 0.69d .05, Ss                                     | 6    |
| 17   | 08708      | (30000000-40000000 ) | Nut, Hex, Lock, M6 X 1.00, NI   | 4    |
| 18   | 11531      | (30000000-40000000 ) | Clamp, Hose, Wormdrive, 1.06-2.00d, .56w                              | 1    |

▽ ASSEMBLY

▲ INCLUDED IN ASSEMBLY

SOLUTION GROUP

355060





## SOLUTION GROUP

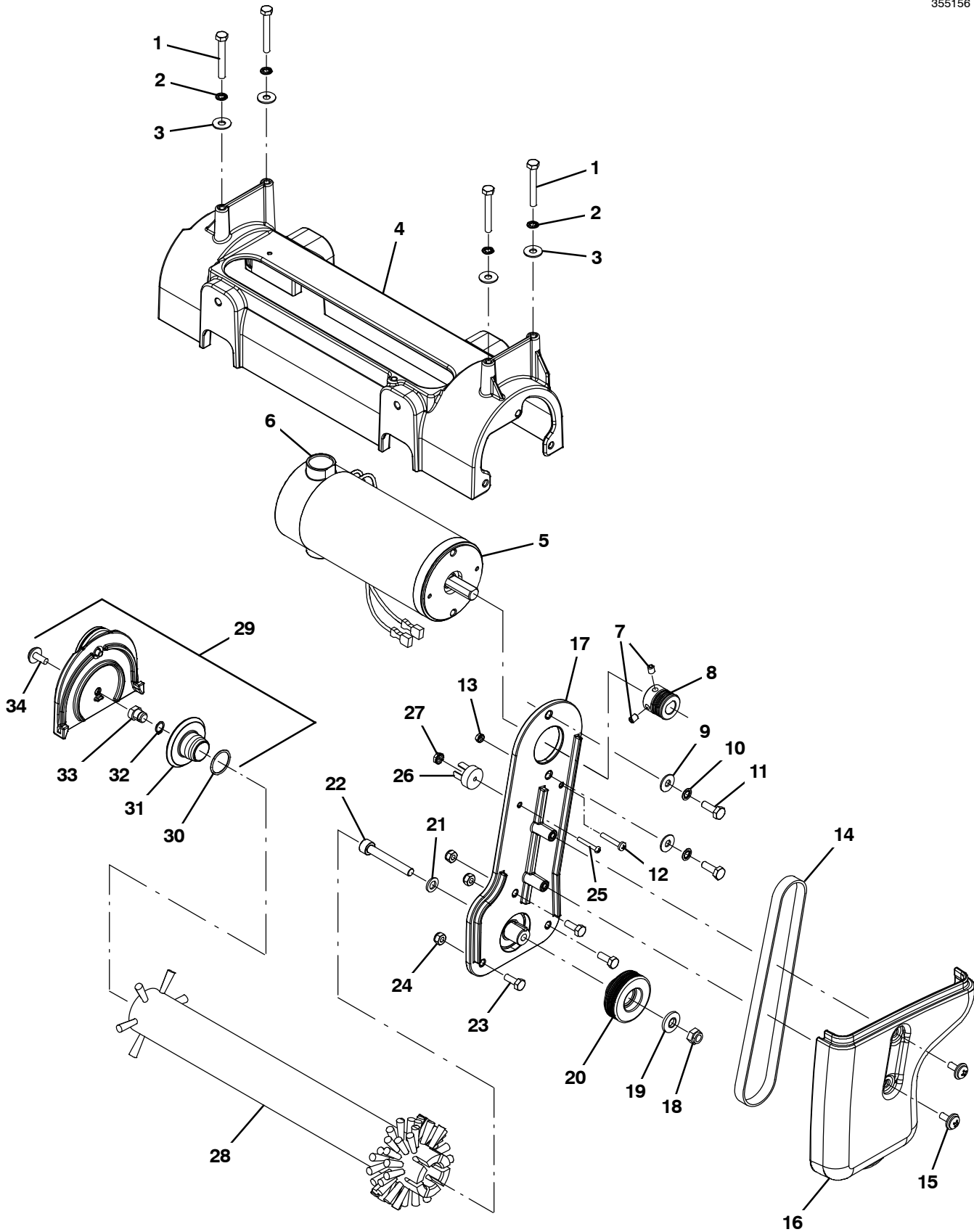
| Ref. | Part No. | Serial Number        | Description                                       | Qty. |
|------|----------|----------------------|---|------|
| 1    | 06933    | (30000000-40000000 ) | Screw, Pan, Phl, M5 X 0.80 X 16, 4.8              | 4    |
| 2    | 1036121  | (30000000-40000000 ) | Mount, Pump, Cp6                                  | 2    |
| 3    | 07789    | (30000000-40000000 ) | Nut, Hex, Flng, M5 X 0.80                         | 4    |
| 4    | 1035850  | (30000000-40000000 ) | Pump, Solution, Solenoid 120v                     | 1    |
| 5    | 43844    | (30000000-40000000 ) | Clamp, Hose, Wormdrive, 0.25-0.62d, .31w          | 3    |
| 6    | 613435   | (30000000-40000000 ) | Hose, Pvc, Brd, 0.25id 0.50od 25.9l,Gray (160204) | 1    |
| 7    | 1028773  | (30000000-40000000 ) | Fitting, Brs, E90, Bm04/Pf04                      | 1    |
| 8    | 1035296  | (30000000-40000000 ) | Washer, Flat, Belleville, .567                    | 1    |
| 9    | 1042714  | (30000000-40000000 ) | Washer, Wavy, 0.59b 1.01d .02                     | 1    |
| 10   | 140262   | (30000000-40000000 ) | Rivet, Plstc, .250d, Blk [Xmas Tree]              | 3    |
| 11   | 1037573  | (30000000-40000000 ) | Shield, Access [Trex]                             | 1    |
| 12   | 579237   | (30000000-40000000 ) | Screw, Pan, Phl, M4 X 0.70 X 12, Ss               | 2    |
| 13   | 02938    | (30000000-40000000 ) | Washer, Lock, Int, 08, Ss                         | 2    |
| 14   | 41579    | (30000000-40000000 ) | Washer, Flat, 08, Ss                              | 2    |
| 15   | 1034395  | (30000000-40000000 ) | Shroud, Splash, Nozzle [Trex]                     | 1    |
| 16   | 1034582  | (30000000-40000000 ) | Nozzle Adapter, Qppm                              | 1    |
| 17   | 1033942  | (30000000-40000000 ) | Nozzle [Qmvv 110-015]                             | 1    |

▽ ASSEMBLY

▲ INCLUDED IN ASSEMBLY

SCRUB HEAD GROUP

355156



## SCRUB HEAD GROUP

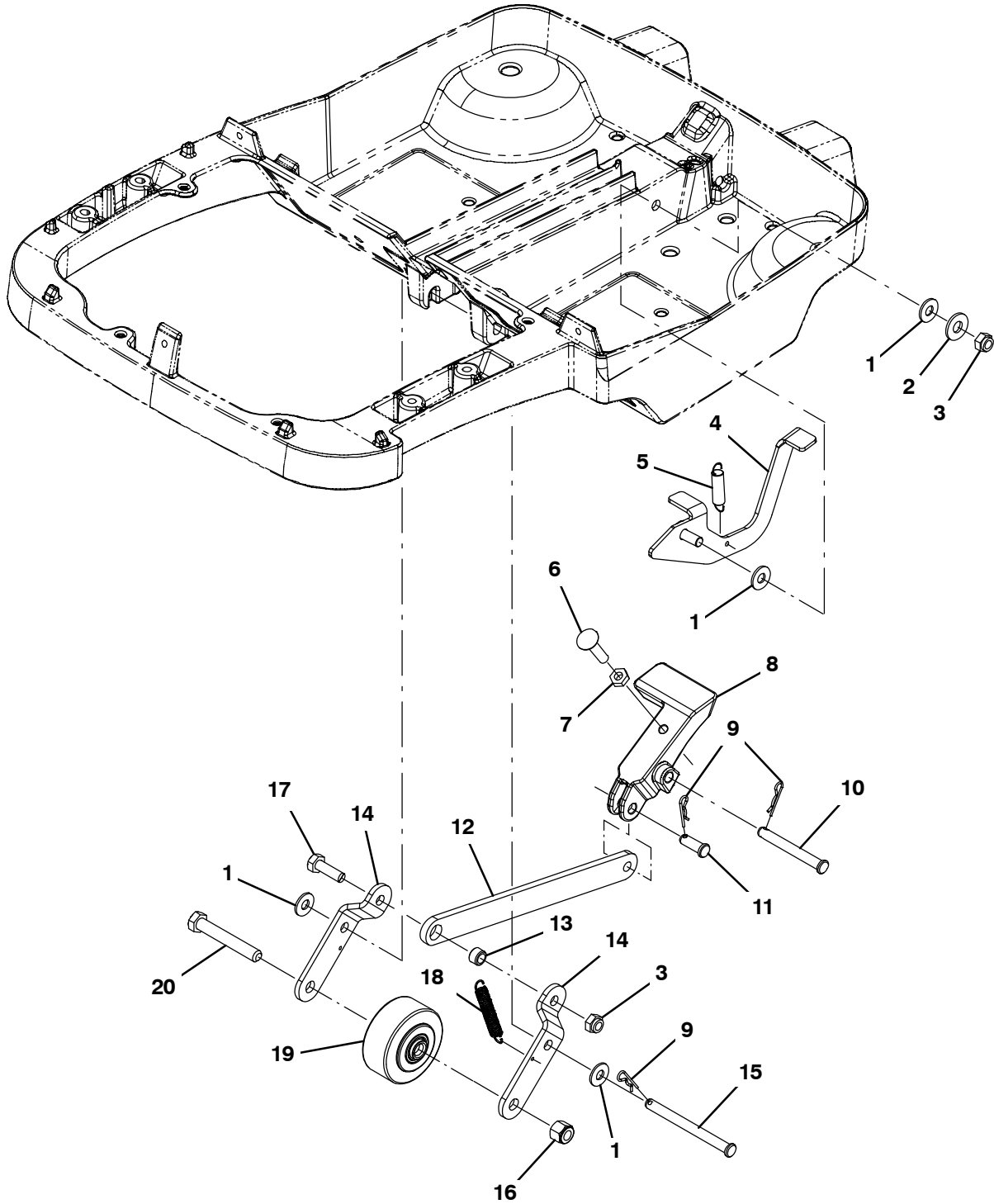
| Ref. | Part No. | Serial Number        | Description                                     | Qty.                                     |   |
|------|----------|----------------------|---|--|---|
| 1    | 1045325  | (30000000-40000000 ) | Screw, Hex, M6 X 1.00 X 45, Ss                  | 4  |   |
| 2    | 07515    | (30000000-40000000 ) | Washer, Lock, Int, 0.25, Ss                     | 4  |   |
| 3    | 01684    | (30000000-40000000 ) | Washer, Flat, 0.27b 0.69d .05, Ss               | 4  |   |
| 4    | 1034380  | (30000000-40000000 ) | Housing, Brush, Sngl, 40cm                      | 1  |   |
| ▽    | 5        | 1072719              | (30000000-40000000 )                            | Motor, Ele, 115vdc 2200rpm .33hp         | 1 |
| ▲    | 6        | 1067897              | (30000000-40000000 )                            | Vr, Brush Kit, Motor                     | 2 |
| 7    | 09162    | (30000000-40000000 ) | Screw, Set, Soc, M6 X 1.00 X 8, NI              | 2  |   |
| 8    | 1063530  | (30000000-40000000 ) | Sheave, 07grv, 25.8pd [Ph]                      | 1  |   |
| 9    | 01684    | (30000000-40000000 ) | Washer, Flat, 0.27b 0.69d .05, Ss               | 2  |   |
| 10   | 07515    | (30000000-40000000 ) | Washer, Lock, Int, 0.25, Ss                     | 2  |   |
| 11   | 34323    | (30000000-40000000 ) | Screw, Hex, .25-20 X 0.75, NI                   | 2  |   |
| 12   | 1033197  | (30000000-40000000 ) | Screw, Pan, Phl, M4 X 0.70 X 25, Ss             | 1  |   |
| 13   | 1007109  | (30000000-40000000 ) | Nut, Hex, Lock, M4 X 0.70, Kep, Ext             | 1  |   |
| 14   | 9004283  | (30000000-40000000 ) | Belt Kit, W/ Installation Tool                  | 1  |   |
| 15   | 1019349  | (30000000-40000000 ) | Screw, Trs, M6 X 1.00 X 16, Ss, Sems            | 2  |   |
| 16   | 1064397  | (30000000-40000000 ) | Cover, Belt, Spg (Single Roller)                | 1  |   |
| ▽    | 17       | 9008296              | (30000000-40000000 )                            | Bracket, Motor Mount W/ Bearing/Seal Kit | 1 |
| ▲    | 18       | 08713                | (30000000-40000000 )                            | Nut, Hex, Lock, M8 X 1.25, NI, Ss        | 1 |
| ▲    | 19       | 41186                | (30000000-40000000 )                            | Washer, Flat, Belleville, .31            | 1 |
| ▲    | 20       | 1030625              | (30000000-40000000 )                            | Sheave, 07grv, 49.3pd                    | 1 |
| ▲    | 21       | 1057482              | (30000000-40000000 )                            | Washer, Flat, 0.328b 0.571d 0.063, Ss    | 1 |
| ▲    | 22       | 1057476              | (30000000-40000000 )                            | Screw, Soc, M8 X 1.25 X 55, Ss           | 1 |
| 23   | 15678    | (30000000-40000000 ) | Screw, Hex, M6 X 1.00 X 16, Ss                  | 3  |   |
| 24   | 08712    | (30000000-40000000 ) | Nut, Hex, Lock, M6 X 1.00, NI, Ss               | 3  |   |
| 25   | 140946   | (30000000-40000000 ) | Screw, Rnd, Sltd, 06-32 X 1.00, Nyl             | 1  |   |
| 26   | 130288   | (30000000-40000000 ) | Rectifier, Bridge, Rnd, 12a 1000volt, Ce        | 1  |   |
| 27   | 140534   | (30000000-40000000 ) | Nut, Hex, #06-32, Nyl                           | 1  |   |
| 28   | 1037197  | (30000000-40000000 ) | Brush, Scrub, 89mm Od X 386mm, Nylon (Standard) | 1  |   |
| 28   | 1037277  | (30000000-40000000 ) | Brush, Scrub, 89mm Od X 386mm, Poly (Optional)  | 1  |   |
| 28   | 1037278  | (30000000-40000000 ) | Brush, Scrub, 89mm Od X 386mm, Grit (Optional)  | 1  |   |
| ▽    | 29       | 9007962              | (30000000-40000000 )                            | Door Kit, Brush, W/ Hdwr                 | 1 |
| ▲▽   | 9018438  | (30000000-40000000 ) | Door Kit, Brush, Repair [T1b, E5]               | 1  |   |
| ▲▲   | 30       | 1042312              | (30000000-40000000 )                            | Seal, Org, .070 X .875 Id, 020           | 1 |
| ▲▲   | 31       | 1030680              | (30000000-40000000 )                            | Hub, Idler, Brush                        | 1 |
| ▲▲   | 32       | 01543                | (30000000-40000000 )                            | Ring, Retaining, Ext, 0.39d, Basic       | 1 |
| ▲▲   | 33       | 1030682              | (30000000-40000000 )                            | Shaft, Idler Plug                        | 1 |
| ▲▲   | 34       | 1019349              | (30000000-40000000 )                            | Screw, Trs, M6 X 1.00 X 16, Ss, Sems     | 1 |

▽ ASSEMBLY

▲ INCLUDED IN ASSEMBLY

SCRUB HEAD LIFT GROUP

355263

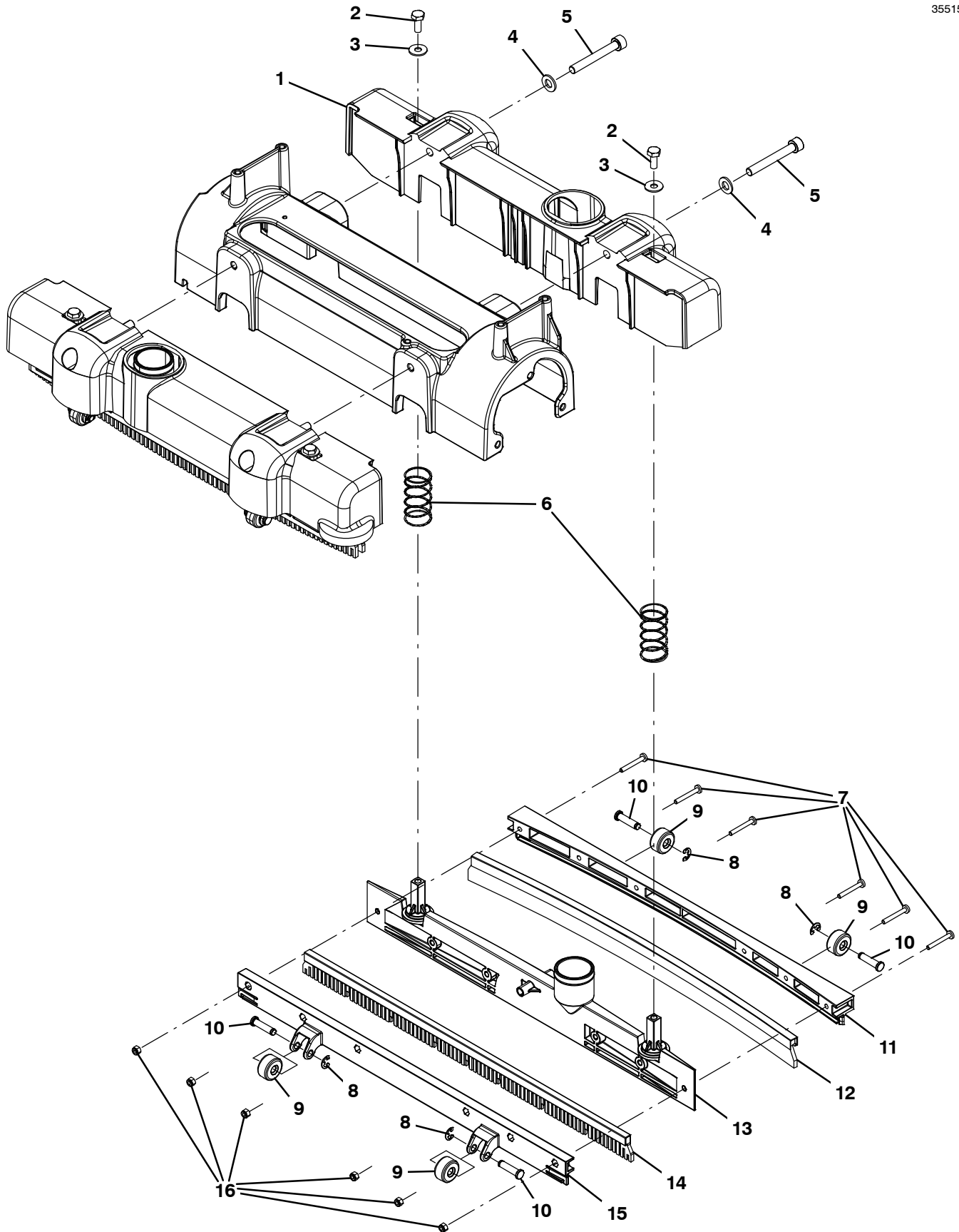


## SCRUB HEAD LIFT GROUP

| Ref. | Part No. | Serial Number        | Description                              | Qty. |
|------|----------|----------------------|--|------|
| 1    | 630446   | (30000000-40000000 ) | Washer, Flat, 0.31b 0.75d .06, Nyl       | 3    |
| 2    | 140027   | (30000000-40000000 ) | Washer, Flat, 0.35b 0.75d .04, Ss        | 1    |
| 3    | 08713    | (30000000-40000000 ) | Nut, Hex, Lock, M8 X 1.25, NI, Ss        | 2    |
| 4    | 1034420  | (30000000-40000000 ) | Lever, Pedal, Wheel Release              | 1    |
| 5    | 605812   | (30000000-40000000 ) | Spring, Extn                             | 1    |
| 6    | 1053751  | (30000000-40000000 ) | Bolt, Carriage, .31-18 X 1.25, Ss        | 1    |
| 7    | 140548   | (30000000-40000000 ) | Nut, Hex, Jam, Fin .31, Ss               | 1    |
| 8    | 1034376  | (30000000-40000000 ) | Pedal, Foot                              | 1    |
| 9    | 08085    | (30000000-40000000 ) | Pin, Cotter, Hair, 0.31d .058 Wir        | 3    |
| 10   | 71274    | (30000000-40000000 ) | Pin, Clevis, 0.31d X 2.62l               | 1    |
| 11   | 386987   | (30000000-40000000 ) | Pin, Clevis, 0.31d X 0.88l               | 1    |
| 12   | 1034368  | (30000000-40000000 ) | Arm, Linkage, Transport                  | 1    |
| 13   | 222516   | (30000000-40000000 ) | Sleeve, P/M, 0.32b 0.50d 0.3l [430ss]    | 1    |
| 14   | 1034371  | (30000000-40000000 ) | Bracket, Transport, Wheel                | 2    |
| 15   | 1034513  | (30000000-40000000 ) | Pin, Clevis, 0.31d X 3.50l               | 1    |
| 16   | 59156    | (30000000-40000000 ) | Nut, Hex, Lock, .38-16, NI, Ss           | 1    |
| 17   | 09010    | (30000000-40000000 ) | Screw, Hex, M8 X 1.25 X 25, Ss           | 1    |
| 18   | 140402   | (30000000-40000000 ) | Spring, Extn, 0.375od 0.045wir 01.8l, Mw | 1    |
| 19   | 1034355  | (30000000-40000000 ) | Wheel, 02.5d 1.25w 0.38b, Rbr, Gray      | 1    |
| 20   | 27992    | (30000000-40000000 ) | Screw, Hex, .38-16 X 2.50, G5            | 1    |

SQUEEGEE GROUP, FRONT AND REAR

355158



## SQUEEGEE GROUP, FRONT AND REAR

| Ref. | Part No.   | Serial Number        | Description                           | Qty. |
|------|------------|----------------------|---------------------------------------|------|
| 1    | 1034109    | (30000000-40000000 ) | Housing, Squeegee                     | 2    |
| 2    | 01697      | (30000000-40000000 ) | Screw, Hex, .25-20 X 0.62, Ss         | 4    |
| 3    | 01684      | (30000000-40000000 ) | Washer, Flat, 0.27b 0.69d .05, Ss     | 4    |
| 4    | 09294      | (30000000-40000000 ) | Screw, Soc, M8 X 1.25 X 60, 12.9      | 4    |
| 5    | 39349      | (30000000-40000000 ) | Washer, Flat, 0.31, Sae               | 4    |
| 6    | 1030427    | (30000000-40000000 ) | Spring, Cmpr, 0.92id .05wir 02.0l     | 4    |
| 7    | 33931      | (30000000-40000000 ) | Screw, Pan, Phl, M4 X 0.70 X 30, Ss   | 12   |
| ▲▽   | 9008581    | (30000000-40000000 ) | Wheel Kit, Sqge, W/ Hdwr              | 1    |
| ▲▲   | 8 1035647  | (30000000-40000000 ) | Ring, Retaining, Ext, 0.25", [E-Ring] | 8    |
| ▲▲   | 9 1030852  | (30000000-40000000 ) | Roller, Squeegee                      | 8    |
| ▲▲   | 10 1065608 | (30000000-40000000 ) | Pin, Grv, 6.22d, 23.0l, Ss            | 8    |
|      | 11 1036706 | (30000000-40000000 ) | Retainer, Sqge, Outer, Acetal, Ig     | 2    |
|      | 12 1050943 | (30000000-40000000 ) | Blade Assy, Sqge, Outer, Ure          | 2    |
|      | 13 1036676 | (30000000-40000000 ) | Frame, Squeegee                       | 2    |
|      | 14 1057241 | (30000000-40000000 ) | Blade Assy, Sqge, Inner, Ure          | 2    |
|      | 15 1057243 | (30000000-40000000 ) | Retainer, Sqge, Inner, Acetal, Blk    | 2    |
|      | 16 33932   | (30000000-40000000 ) | Nut, Hex, Lock, M4 X 0.70, NI, Ss     | 12   |

▽ ASSEMBLY

▲ INCLUDED IN ASSEMBLY

## DOCUMENTATION GROUP

| Ref. | Part No. | Serial Number        | Description                             | Qty. |
|------|----------|----------------------|---|------|
|      | 9012804  | (30000000–40000000 ) | Manual, Parts [Speedscrub, En]          | 1    |
|      | 9003761  | (30000000–40000000 ) | Manual, Oprtr [Speedscrub, En/Es/Fr]    | 1    |
|      | 9004228  | (30000000–40000000 ) | Instr, Use&Care, Wallchart [Speedscrub] | 1    |



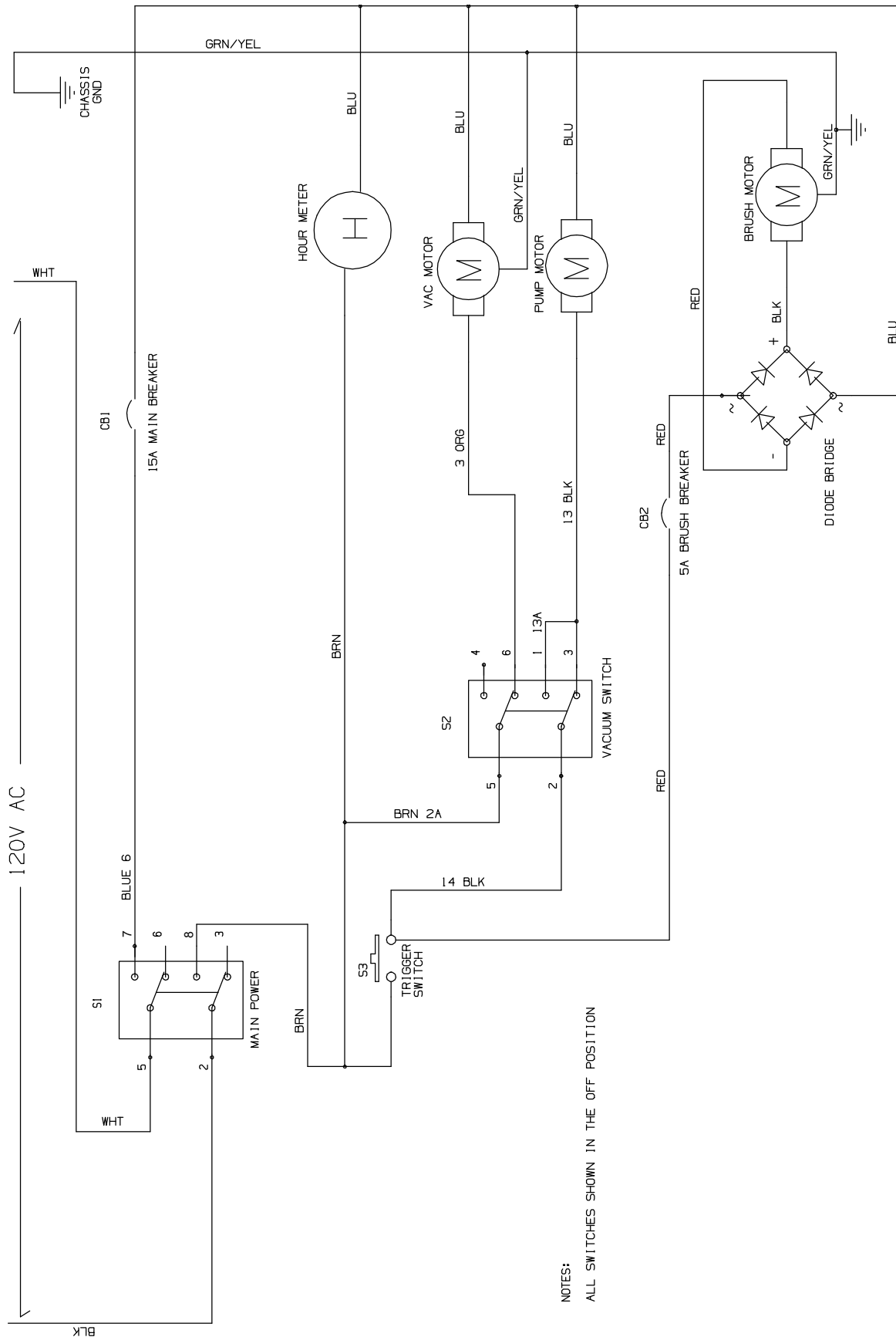
To view, print, order, download the latest Parts manual, other language Operator manuals, and Use and Care Guides (wall charts), visit:

[www.nobles.com/manuals](http://www.nobles.com/manuals)



ELECTRICAL DIAGRAM

1046178



NOTES:  
ALL SWITCHES SHOWN IN THE OFF POSITION

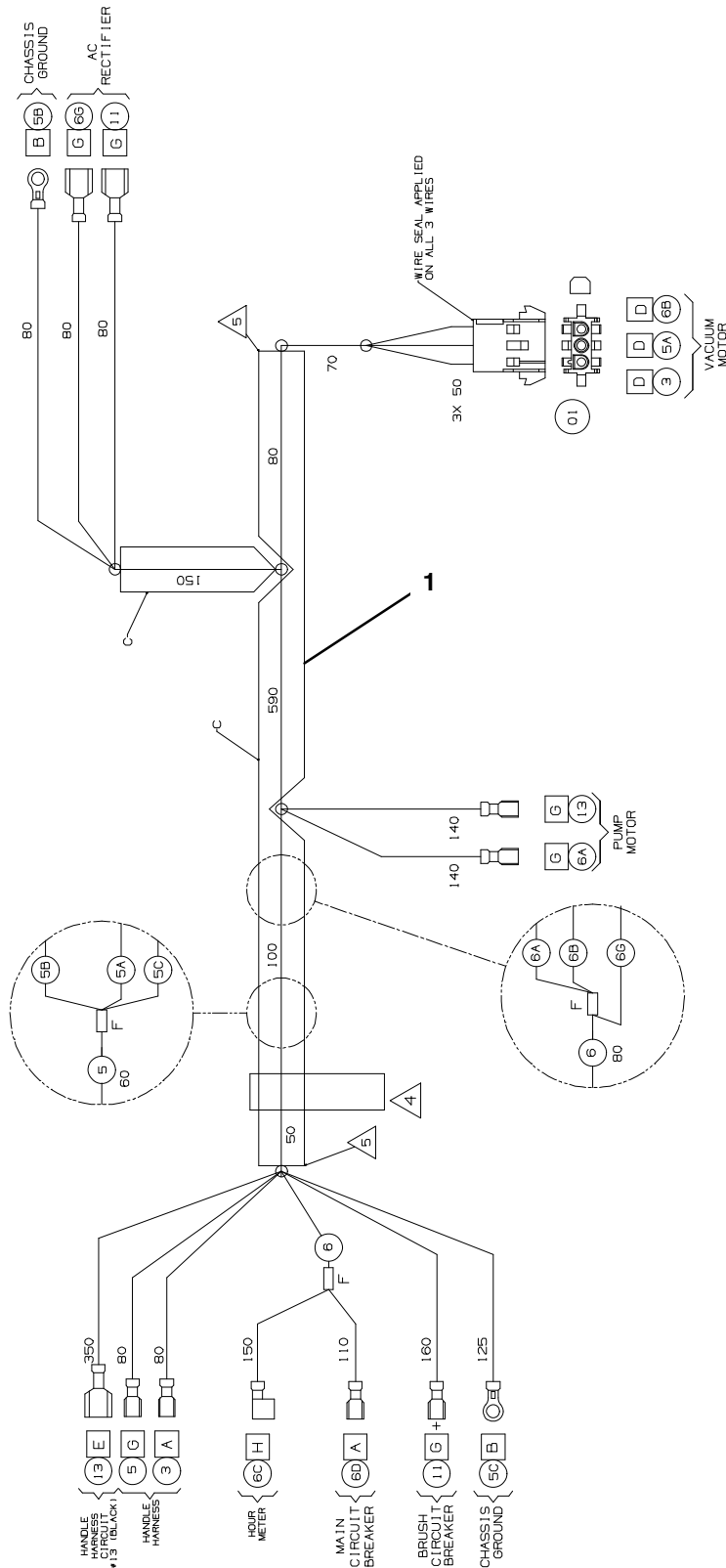
## WIRE HARNESS, CHASSIS

355594

| TERMINAL | TERMINAL TYPE & SIZE                                     | MFR | MANUFACTURER'S PART NUMBER   |
|----------|--|-----|------------------------------|
| A        | .25" (16-14) FEMALE FULLY INSULATED TERMINAL.            | AMP | 3-350820-2                   |
| B        | #8 RING TERMINAL 4.34mm DIA., 16-22 AWG                  | AMP | 34108                        |
| C        | BLACK NYLON BRAIDING                                     |     |                              |
| D        | CONNECTOR BODY AMP 3 CIRCUIT MATE-N-LOK, P/N: 1-480701-0 | AMP | WIRE SEAL, P/N: 794272-1     |
| E        | .25" (18-22) FULLY INSULATED MALE TAB TERMINAL.          | AMP | MALE TERMINAL, P/N: 350687-1 |
| F        | ALTRALSOINC CRIMP AND COVER WITH HEATSHRINK.             |     | 2-520103-2                   |
| G        | .25" (18-22) FULLY INSULATED FEMALE TERMINAL.            | AMP | 2-520184-2                   |
| H        | .25" (18-22) FEMALE FLAG TERMINAL                        | AMP | 2-520129-2                   |

| WIRE No. | AWG | COLOR    |
|----------|-----|----------|
| 6F       | 18  | NOT USED |
| 6G       | 18  | BLUE     |
| 7        |     | NOT USED |
| 8        |     | NOT USED |
| 9        |     | NOT USED |
| 10       |     | NOT USED |
| 11       |     | RED      |
| 12       |     | NOT USED |
| 13       | 18  | BLACK    |

| WIRE No. | AWG | COLOR        |
|----------|-----|--------------|
| 1        |     | NOT USED     |
| 2        |     | NOT USED     |
| 2A       | 18  | BROWN        |
| 2B       | 14  | ORANGE       |
| 3        |     | NOT USED     |
| 4        |     | NOT USED     |
| 5A       | 18  | GREEN/YELLOW |
| 5B       | 18  | GREEN/YELLOW |
| 5C       | 18  | GREEN/YELLOW |
| 6        | 14  | BLUE         |
| 6A       | 18  | BLUE         |
| 6B       | 14  | BLUE         |
| 6C       | 18  | BLUE         |
| 6D       | 14  | BLUE         |



| Ref. | Part No. | Serial Number      | Description                           | Qty. |
|------|----------|--------------------|---------------------------------------|------|
| 1    | 1033825  | (3000000-4000000 ) | Harness, Chassis, Ele, Scrbr, [T-Rex] | 1    |

