

Sprite Battery Air-Scoop™ 8/12



PARTS LIST

Advance MODELS 56209008, 56209000

This parts list is for machines after serial number 0551564

All models covered in this manual are OBSOLETE



Advance
by Nilfisk-Advance

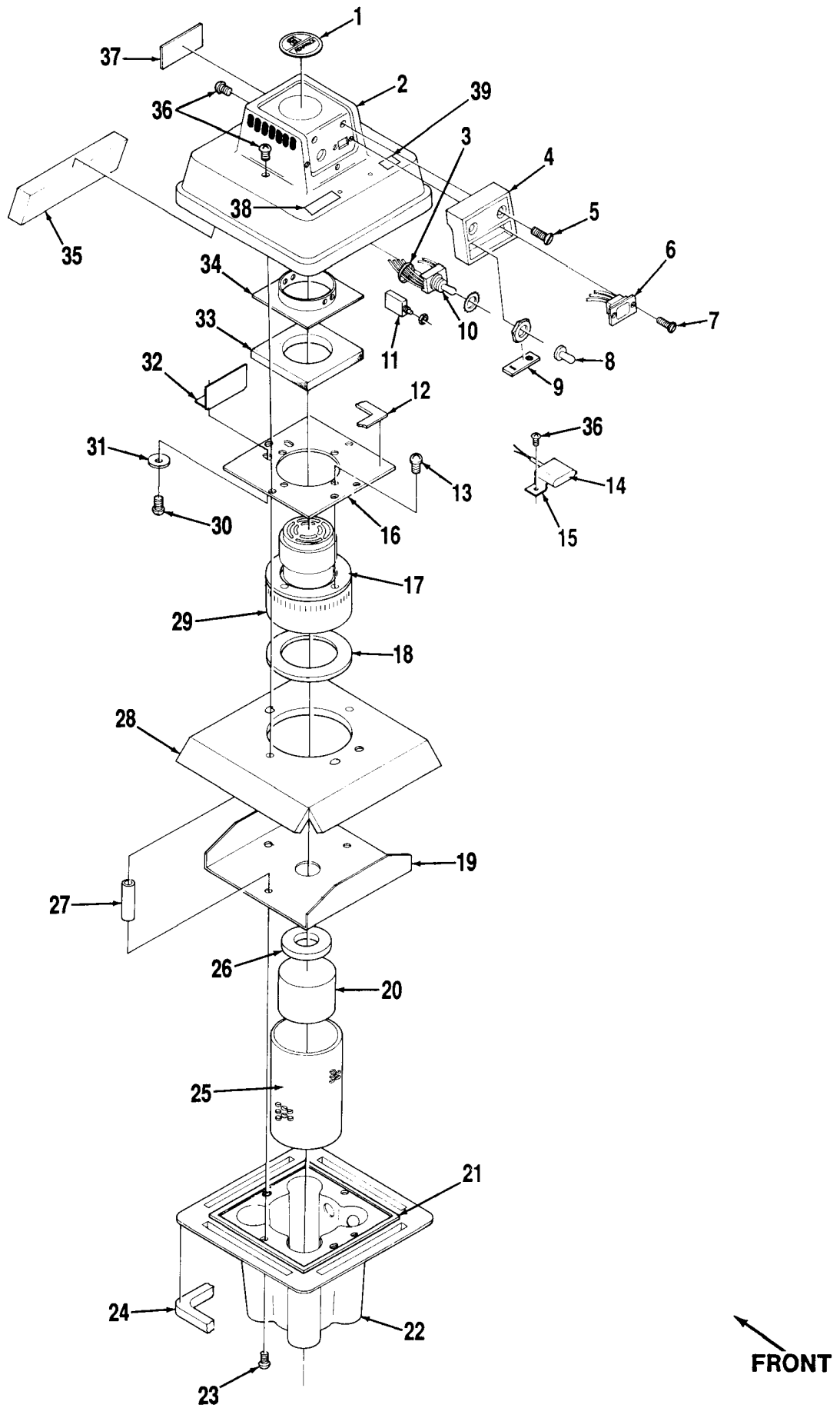
TABLE OF CONTENTS

<u>DESCRIPTION</u>	<u>PAGE</u>
Power Head	1-2
Tank Assembly	3-4
Squeegee Assembly	5-6
Wiring Diagram	7

WHEN ORDERING PARTS

- * Use the 8 digit numbers from the "Part No." columns in this parts list.
- * Specify the model and serial number of the machine.
- * Use the space below to record the model and serial number for future reference.

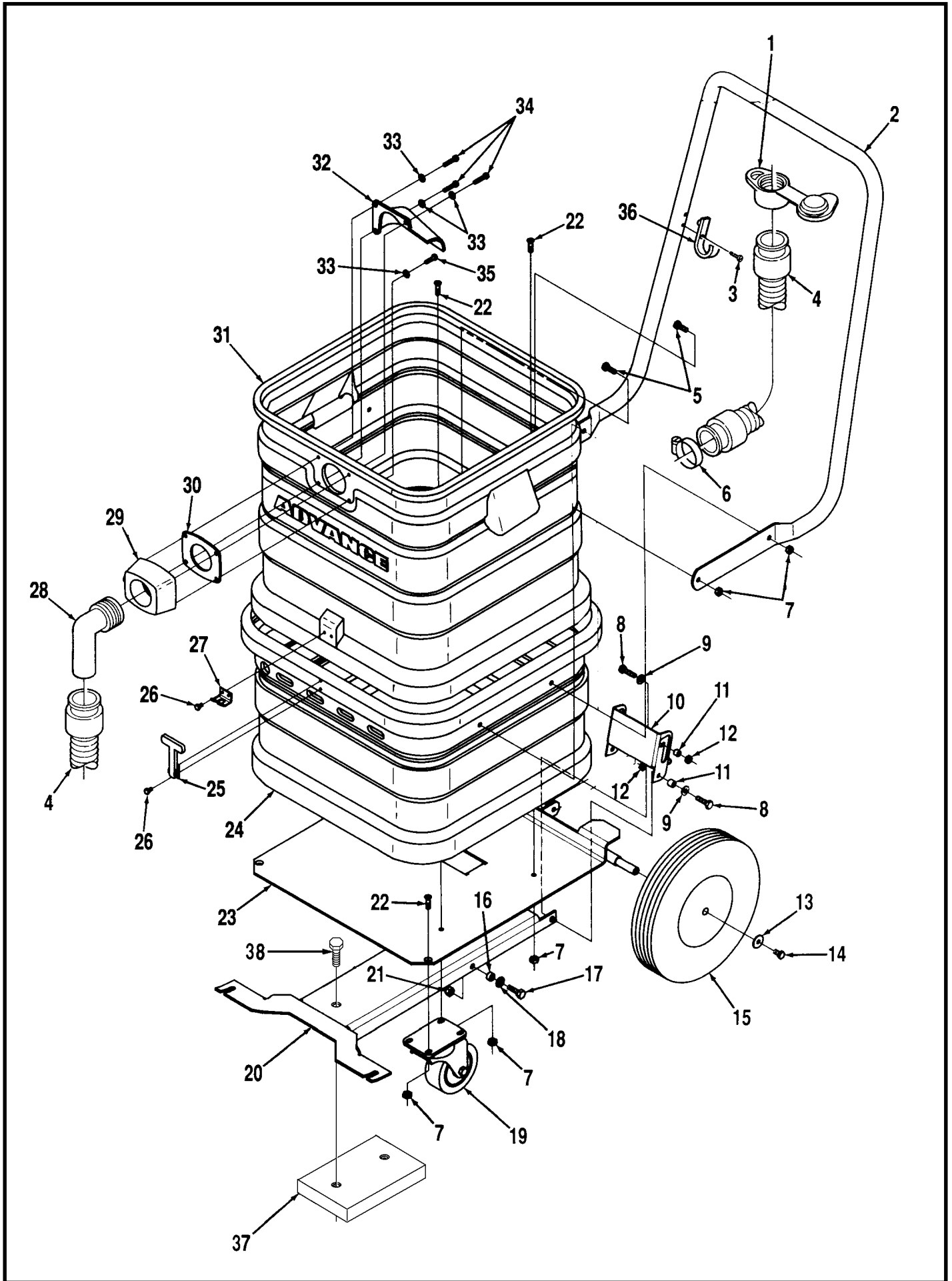
Model _____ Serial No. _____



POWER HEAD

Item	Part No.	Qty	Description
	56209001	1	Power Head Assy (#1-37)
1	56015326	1	Decal, Logo
2	56209002	1	Shroud
3	56325219	4	Cable Tie
4	56209027	1	Console
5	56002495	2	#10-24 x 1 1/2 Screw
*	56002768	2	#10-24 Nyloc Nut
6	56372089	1	Battery Condition Indicator
7	56209828	2	Screw
*	56002244	2	#8-32 Nyloc Nut
8	56756514	1	Boot
9	56023224	1	Decal, On/Off
10	56200336	1	Switch
11	56395454	1	Circuit Breaker 20 Amp
12	56200754	36"	Gasket (38.5 cm)
13	56002967	4	#10-24 x 5/8 Screw
14	56209035	1	Power Head Connector
15	56209021	1	Bracket
16	56209012	1	Plate
17	56209325	1	Gasket
18	56209326	1	Gasket
19	56209766	1	Cover Plate
20	56209571	1	Float
21	56385248	60"	Gasket (1.5 m)
22	56205845	1	Float Housing
23	56209491	5	Screw
24	56209763	1	Gasket
25	56209566	1	Perforated Shield
26	56206128	1	Gasket
27	56209440	5	Spacer
28	56209013	1	Foam
29	56209037	1	Vacuum Motor 24VDC
*	56503003	1	Carbon Brush Set For 56209037
30	56001818	2	#8-32 x 3/8 Screw
31	56203874	2	Washer
32	56209018	1	Baffle
33	56209816	1	Foam
34	56209003	1	Ring Plate
35	56209461	1	Filter
36	56570220	6	Screw
37	56014148	1	Decal, Sprite
38	56015084	1	Decal, Warning 12 gal
	56017023	1	Decal, Warning 8 gal (Japan)
39	56015633	1	Decal, Battery Charging

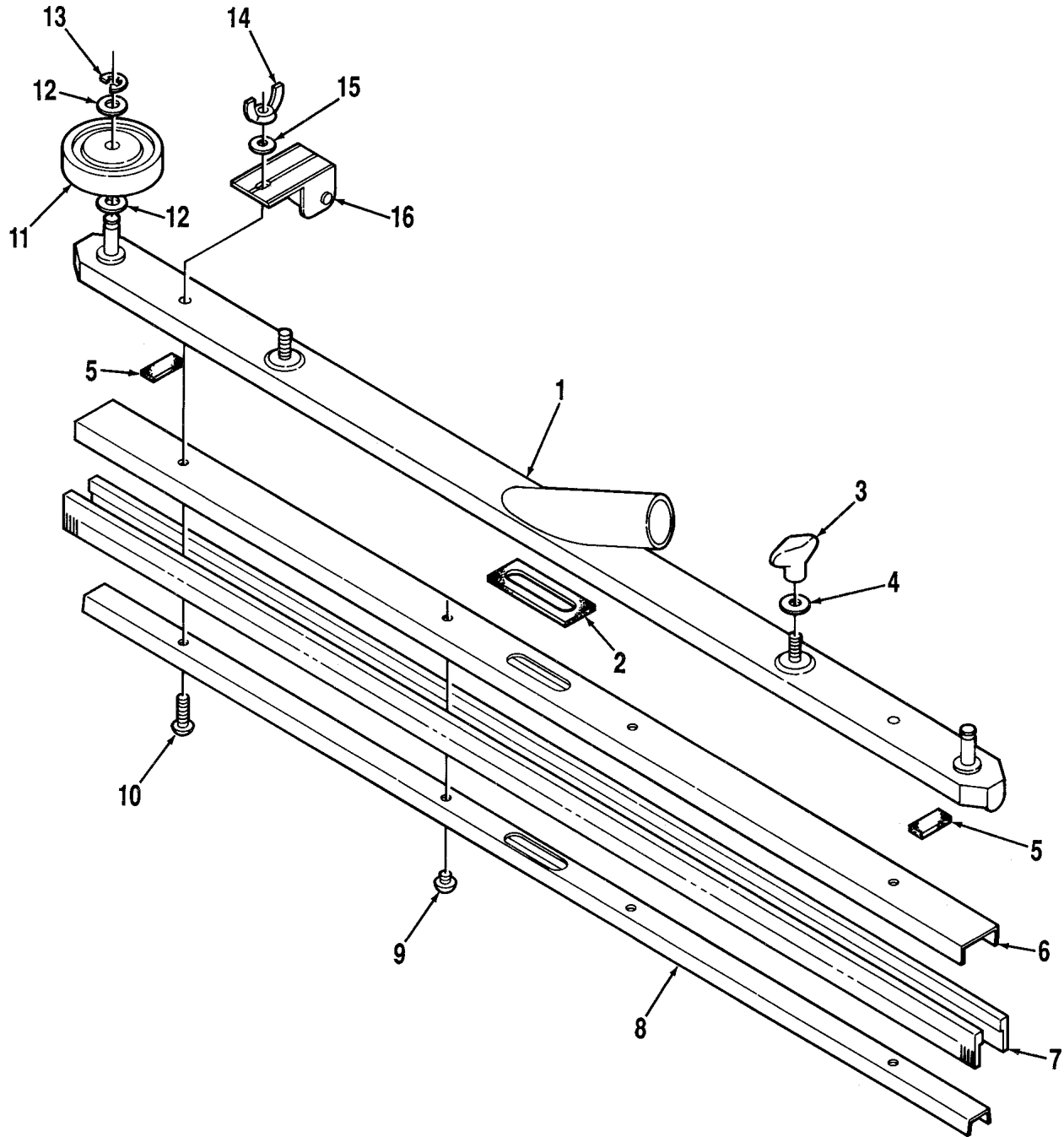
* = Not Shown



TANK ASSEMBLY

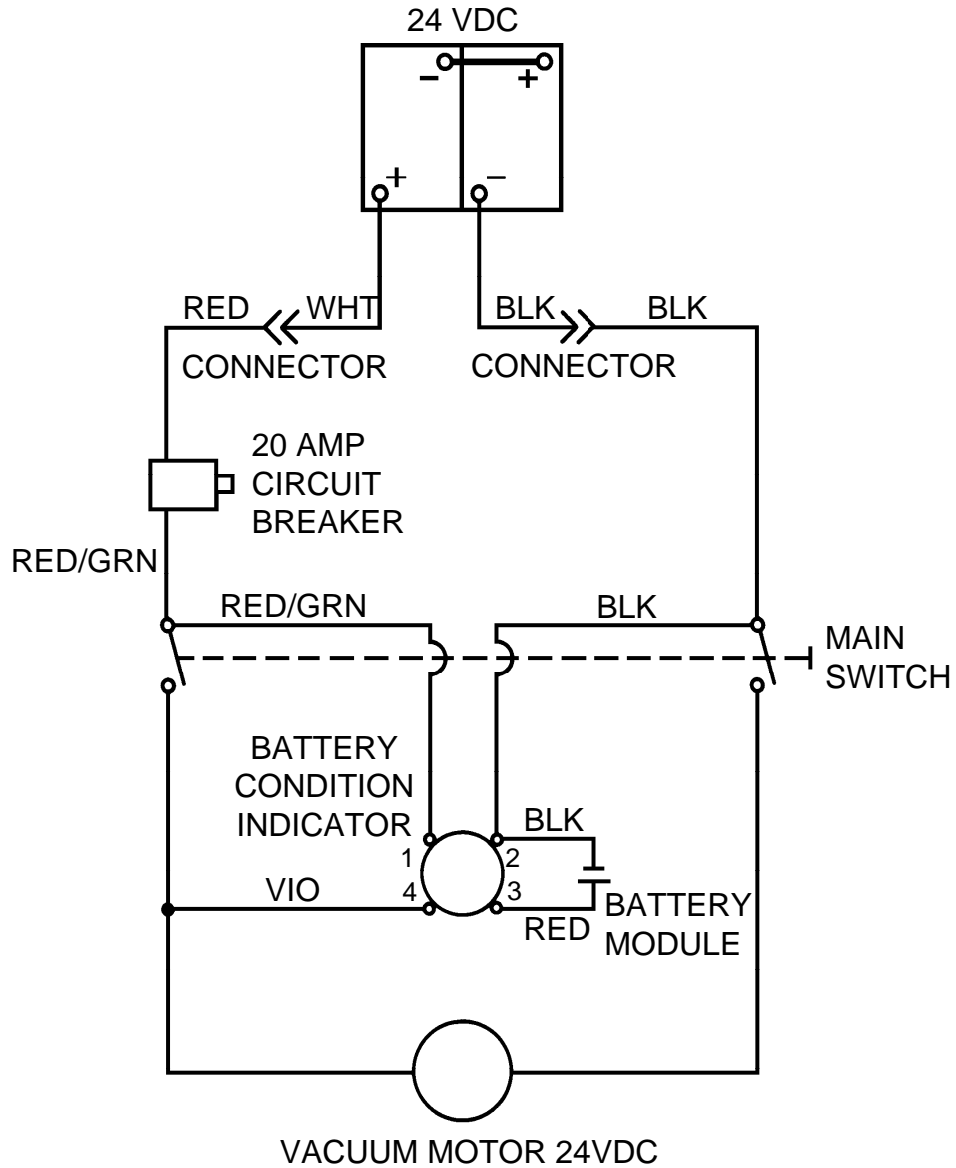
Item	Part No.	Qty	Description
1	56324180	1	Drain Plug
2	56209015	1	Handle
3	56002508	1	#10-24 x 1/2 HP-5 Screw
4	56372222	2	Hose
5	56002957	4	1/4-20 x 3/4 Stnlss Stl Screw
6	56131601	1	Hose Clamp
7	56002491	10	1/4-20 Stnlss Stl Nyl Loc Nut
8	56002893	4	1/4-20 x 1 Screw
9	56002098	4	1/4 Fit Washer
10	56209980	1	Pedal
11	56321532	4	Bushing
12	56002708	4	1/4-20 Nyl Loc Nut
13	56151114	2	Washer
14	56002729	2	1/4-20 x 1/2 Locking Screw
15	56249505	2	Wheel
16	56320595	2	Bushing
17	56002221	2	5/16-18 x 1 Bolt
18	56001939	2	5/16 Fit Washer
19	56340081	2	Caster
20	56209014	1	Squeegee Lift TSB 608-G4
21	56002701	2	5/16-18 Nyl Loc Nut
22	56002969	6	1/4-20 x 3/4 Stnlss Stl Screw
23	56209022	1	Cart
24	56209023	1	Battery Housing
*	56209024	1	Battery Spacer
25	56393560	1	Latch
26	56003069	4	#6-32 x 1/2 Stnlss Stl Screw
*	56002907	4	#6-32 Stnlss Stl Nyl Loc Nut
27	56393559	1	Keeper
28	56370593	1	Hose Adaptor
29	56205821	1	Connector
30	56201390	1	Gasket
31	56209025	1	Tank 12 Gallon
*	56209047	1	Tank 8 Gallon (Japan)
32	56205829	1	Deflector
33	56249992	4	Stnlss Stl Washer
34	56209521	3	#10-16 x 1 Stnlss Stl Screw
35	56209519	1	#10-16 x 3/4 Stnlss Stl Screw
36	56324349	1	Hook
37	56209048	1	Weight
38	56002947	2	Scr, Hex Hd Loc 3/8-16 x 1

* = Not Shown



SQUEEGEE

Item	Part No.	Qty	Description
	56387804	1	Squeegee Assy (#1-16)
1	56387806	1	Squeegee Tool
2	56400613	1	Gasket
3	56370711	2	Thumb Nut
4	56001939	2	5/16 Flt Washer
5	56400614	2	Gasket
	56363892	1	Squeegee Cartridge Assy (#6-10&14)
6	56105552	1	Channel
7	56105534	2	Squeegee Blade
8	56105553	1	Retainer
9	56003037	2	1/4-20 x 1/4 Stnlss Stl Screw
10	56900274	2	1/4-20 x 1 Stnlss Stl Screw
11	56363855	2	Wheel
12	56371009	4	Washer
13	56157060	2	Retainer Ring
14	56201677	2	1/4-20 Wing Nut
15	56002098	2	1/4 Flt Washer
16	56387376	2	Roller



WIRING DIAGRAM

Part No.	Qty	Description
56206962	2	Battery 12V, 93AH (not included)
56206981	1	Automatic Battery Charger (not included)
56209035	1	Power Head Connector (wired to power head)
56209029	1	Battery Charger Connector (wired to batteries)
56395454	1	Circuit Breaker 20 Amp
56200336	1	Main Switch
56372089	1	Battery Condition Indicator
56209036	1	Battery Module
56209037	1	Vacuum Motor 24VDC



Nilfisk-Advance, Inc.
14600 21st Avenue North
Plymouth, MN, 55447-3408
www.nilfisk-advance.com
Phone: 800-989-2235
Fax: 800-989-6566
©2001 Nilfisk-Advance, Inc.,
Plymouth, MN 55447-3408
Printed in the U.S.A.