

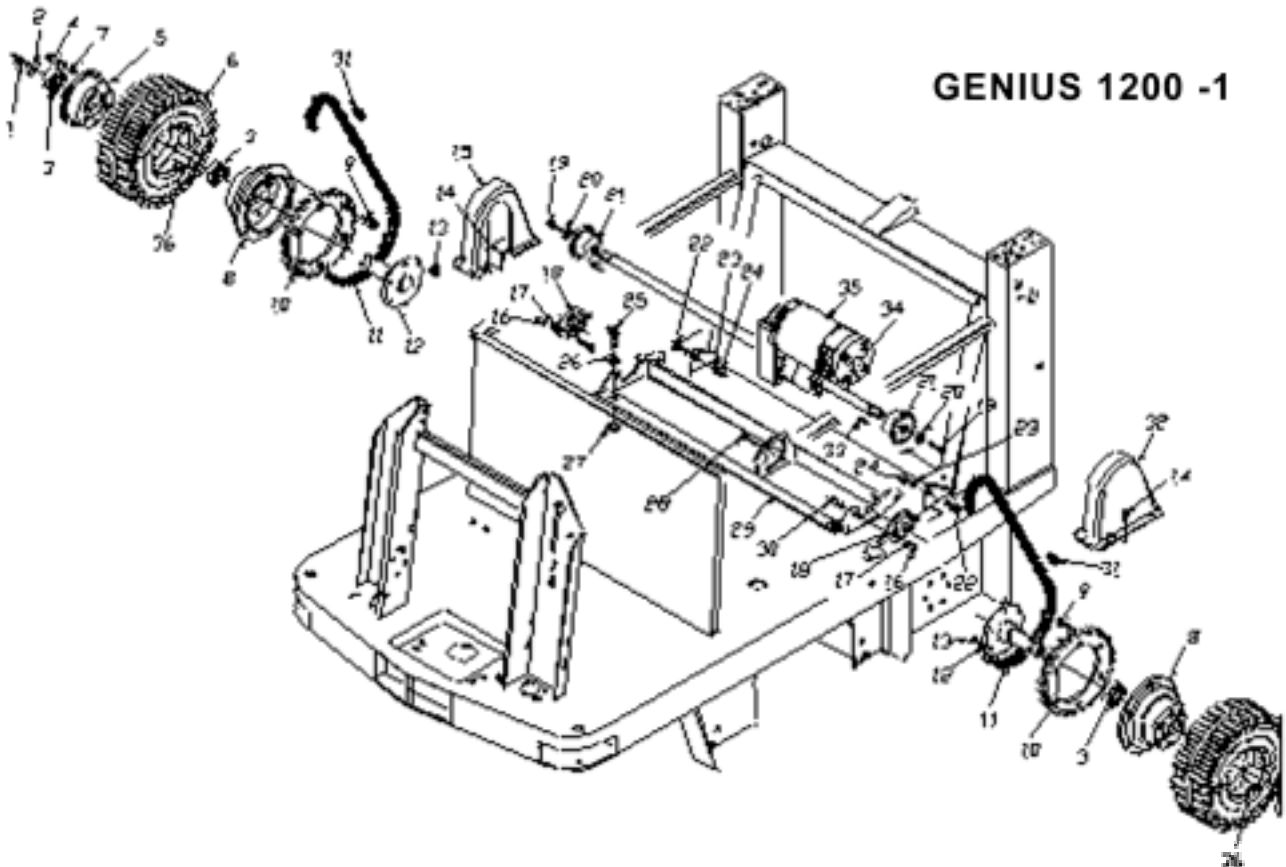
# Eagle Power

## GENIUS 1200 AUTOMATIC SWEEPER



# PARTS MANUAL

## GENIUS 1200 - AUTOMATIC SWEEPER - DRIVE ASSY.



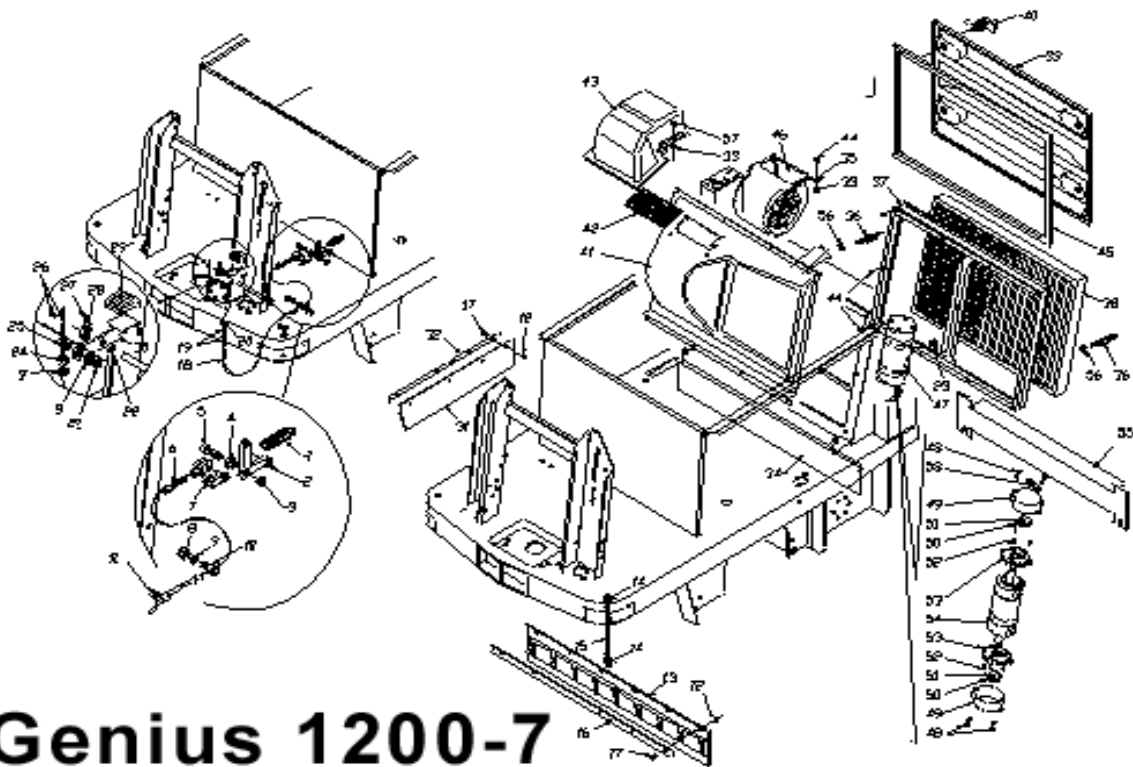
## GENIUS 1200 - AUTOMATIC SWEEPER - DRIVE ASSY.

POS.	PART #	DESCRIPTION	QTY
1	T81105239	Screw ISO 7380 8x16 zb	2
2	T81105326	Washer uni 6593 8x24x2,5	2
3	T81390018	Bearing 6204 2RS	4
4	T81105517	Screw uni 5931 8x25 zb	10
5	T822501004	Rear wheel hub TK1000E-S	2
6	T81160075	Superelastic wheel TK1000	2
7	T81105750	Washer uni 1751 8X14 zb	10
8	T822501043	Rear wheel hub TK1300	2
9	T81105503	Screw uni 5933 6x20 zb	10
10	T822501044	Wheel drive ring gear Z35 TK1300	2
11	T823301004	Transmissiom chain TK1300	2
12	T821501026	Rear wheel support TK 1300	2
13	T81105957	Screw uni 5933 8X16 zb	12
14	T81105507	Screw uni 5931 6x16 zb	4
15	T821201125	Right chain protection casing	1
16	T81105134	Lock nut uni 985 M8	4

**GENIUS 1200 - AUTOMATIC SWEEPER - DRIVE ASSY.**

<b>POS.</b>	<b>PART #</b>	<b>DESCRIPTION</b>	<b>QTY</b>
17	T81105304	Washer uni 6592 8X17 zb	4
18	T81390023	Support SBPFL 204	2
19	T81105552	Screw uni 5931 8x20 zb	2
20	T81105326	Washer uni 6593 8x24x2,5 zb	2
21	T822501045	Differential pinion	2
22	T81105522	Screw uni 5739 10X25 zb	2
23	T81105305	Washer uni 6592 10X21	4
24	T81105135	Lock nut uni 985 M10	2
25	T81105521	Screw uni 5739 10x60 zb	2
26	T81105125	Lock nut M10	2
27	T821301020	Spacer	2
28	T81105162	Screw TE FR 6x16 zb	4
29	T822601173	Galvanised differential support	1
30	T81105552	Screw uni 5931 8x20 zb	4
31	T81155001	Chain link	2
32	T821201126	Left chain protection casing	1
33	T81105472	Key uni 6604 6x6x20	2
34	T823802006	Temperature sensor F11-95° NC	1
35	T81340040	Electric traction reducer TK 1300 Dual-Power	1
36	T821301024	Spacer	2

## GENIUS 1200-AUTOMATIC SWEEPER-FILTER/LIFT FLAP ASSY



# Genius 1200-7

### GENIUS 1200-AUTOMATIC SWEEPER-FILTER/LIFT FLAP ASSY

POS.	PART #	DESCRIPTION	QTY
1	T822051010	Traction spring	1
2	T821901002	Butterfly opening driving lever TK 1400	1
3	T81105134	Block nut din 985 M8 bassozb	1
4	T821101058	Bushing	1
5	T81105065	Screw TE uni 5739 8x30	1
6	T821251011	Flap lifting cable	1
7	T811051100	Clamp for fork M6	3
8	T81105136	Block nut din 985 M12zb	1
9	T81105306	Washer uni 6592 12x24	4
10	T822301013	Pivot	1
11	T81500017	Clamp	1
12	T81105813	Plastic insert (female screw)	4
13	T821601049	Front adjustable flap	1
14	T811051000	Fork	2
15	T822301077	Pin	1
16	T821501036	Front blocking-fllap holder	1
17	T81105805	Self tapping screw TC+ uni 6954 3,5x14,5 zb	4

**GENIUS 1200-AUTOMATIC SWEEPER-FILTER/LIFT FLAP ASSY**

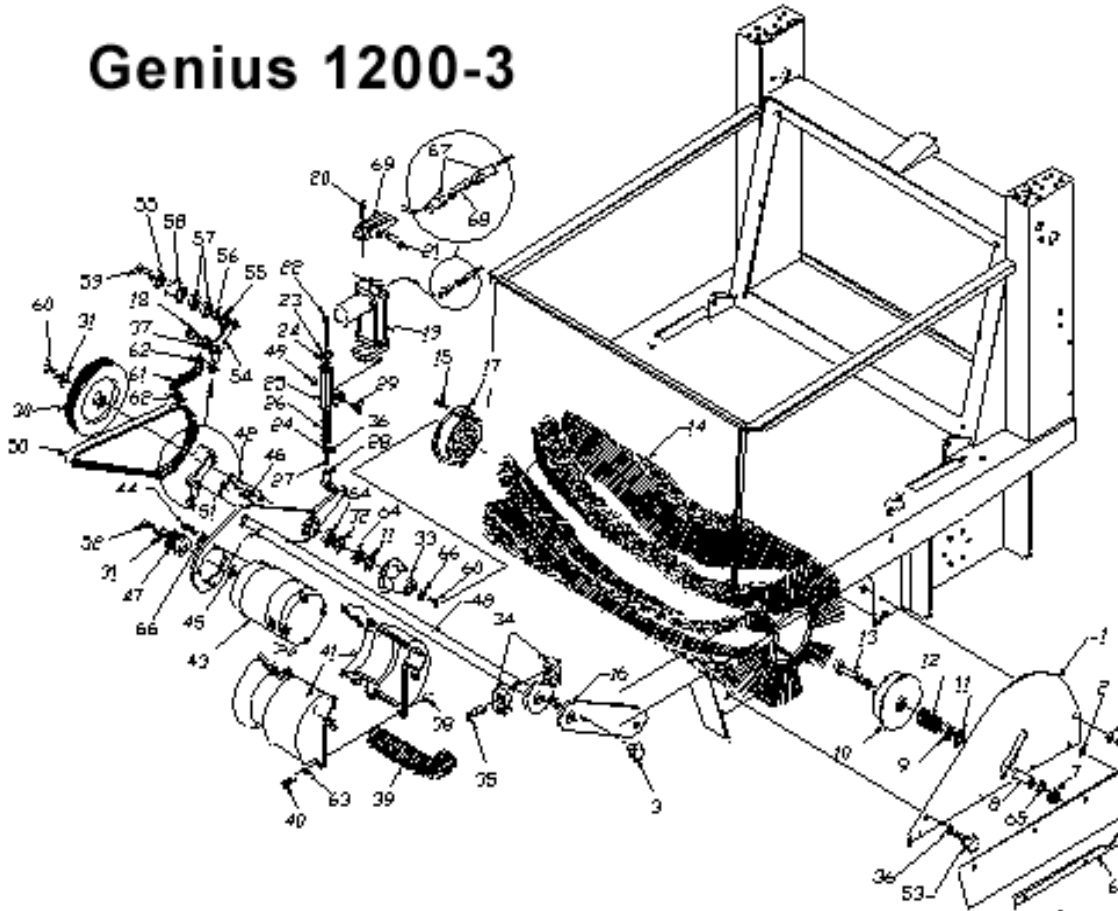
POS.	PART #	DESCRIPTION	QTY
18	T821251000	Flap lifting sheathing	1
19	T81105229	Turned adjuster Ø 7	1
20	T822301009	Cable centering pivot	1
21	T81105420	Outer snap ring din 471 Ø 12	2
22	T81105305	Washer uni 6592 10x21 zb	1
23	T81105559	Screw TSCE uni 5933 10x16 zb	1
24	T81105126	Nut uni 5588 M12	1
25	T822301003	Cable fixing pivot	1
26	T81125004	Clamp Ø 7 art. C7035	1
27	T81105482	Dowel uni 5923 6x5	1
28	T821101006	Bushing	1
29	T813201007	Pedal cover V1021	1
30	T822601151	Flap lifting pedal	1
31	T821601044	Side flaps TK 1400	1
32	T821501028	Side blocking-fillap holder	1
33	T81105133	Block nut din 982 M6 zb	8
34	T821601051	Fixed backside flap	1
35	T81105303	Washer uni 6592 6x12	6
36	T823101481	Unlooking filter handle	2
37	T823101480	Filter bearing frame	1
38	T82360004	Paper filter	1
39	T821201068	Fliter locking cover	1
40	T82300111	Complete locking TEK	4
41	T821201206	Fan casing	1
42	T822621139	Suction fan grille	1
43	T821201213	Air exhaust tunnel	1
44	T81105236	Screw TBCE iso 7380 6x16 zb	18
45	T821601018	Locking filter cover' gasket	1
46	T81340041	Suction fan motor	1
47	T82300396	Complete filter shaker electric motor 24V	1
48	T81105365	Self tapping screw TSP+ uni 6955 3.9x32 zb	8
49	T82120288	Filter shaker bulk' protection cover	4
50	T81105482	Dowel uni 5923 6x5	4
51	T82110045	Counterweight bushing for filter shaker	4
52	T81105781	Screw uni 5933 4x12 zb	12
53	T82150031	Filter shaker motor flange	4
54	T81340029	Motor Ø 63 24V G3800 W35	2
55	T822601338	Filter shaker motor support	1

**GENIUS 1200-AUTOMATIC SWEEPER-FILTER/LIFT FLAP ASSY**

POS.	PART #	DESCRIPTION	QTY
56	T81105220	Block nut din 982 M8 zb	4
57	T81105162	Screw TE FR 6X16	2
58	T82160117	Wire fixing rubber pad	2

**GENIUS 1200 - AUTOMATIC SWEEPER -BRUSH ASSY**

**Genius 1200-3**



**GENIUS 1200 - AUTOMATIC SWEEPER -BRUSH ASSY**

POS.	PART #	DESCRIPTION	QTY.
1	T822601184	Main brush flap door TK 1300	1
2	T81105813	Plastic insert ( female screw)	4
3	T81320099	Handwheel Ø 50 M8	1
4	T821601044	Right and left flap TK 1300	1
5	T81105805	Self tapping screw TC+ uni 6954 3,5x14,5 zb	4
6	T821501028	Lateral flap holder TK 1300 black	1
7	T81105136	Block nut din 985 M12 zb	1
8	T821301012	Main brush spacer TK1400 zin	1
9	T81390004	Bearing 6001 2RS	1
10	T822601096	Main brush support TK 1400	1
11	T81105707	Inside snap ring din 472 Ø 28	2
12	T822051009	Main brush spring TK 1400 Ø 25x38	1
13	T81105530	Screw uni 5931 12x80 zb	1

**GENIUS 1200 - AUTOMATIC SWEEPER -BRUSH ASSY**

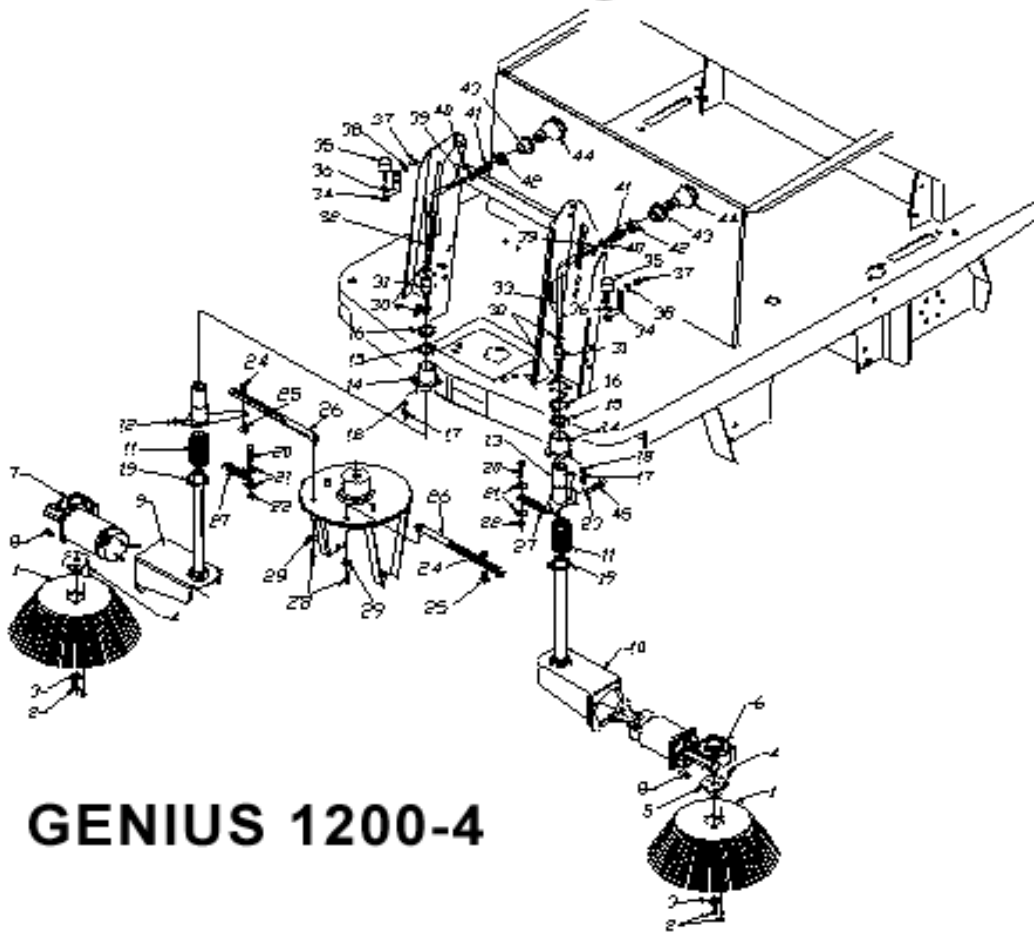
<b>POS.</b>	<b>PART #</b>	<b>DESCRIPTION</b>	<b>QTY.</b>
14	T823501002	Main brush TK1200	1
15	T81105365	Self tapping screw TSP+ uni 6955 3.9x32 zb	2
16	T822601088	Main brush removable arm	1
17	T822501036	Main brush driver TK 1400	1
18	T822301037	Belt stretcher strap pin	1
19	T813401001	Main brush drive actuator TK 1400	1
20	T81105507	Screw uni 5931 6x16 zb	2
21	T822301046	Main brush pin TK 1400	1
22	T81105557	Screw, uni 5739 6x100	1
23	T81105705	Inner snap ring din 472 Ø 20	1
24	T821101065	Roll schoulder bushing	2
25	T825001023	Main brush spring holder case TK 1400	1
26	T822051011	Main brush case spring TK 1400	1
27	T81105122	Nut uni 5588 M5 zb	2
28	T81155011	Toggle-joint M6	1
29	T81105045	Screw uni 5739 6x30	1
30	T822501032	Main brush pulley TK 1400	1
31	T81105325	Washer uni 6593 6x24x2	2
32	T821301027	Main brush spacer TK1400 zin	1
33	T822501039	Main brush driving hub TK 1400	1
34	T822601068	Collar C3 Ø 8	4
35	T81105513	Screw uni 5931 6x40 zb	4
36	T81105324	Washer uni 6593 6x18x1.5 zb	2
37	T821101005	Bushing	1
38	T81105809	Inserto filettato M4x12	7
39	T825001017	Main brush cooling engine pipe	1
40	T81105800	Screw TCTC uni 7687 4x16	7
41	T821201055	Main brush engine protection TK 1400	1
42	T822301025	Main brush pin TK 1400	1
43	T81340032	Main brush engine TK 1400	1
44	T81105506	Screw TCCE uni 5931 6x20 zb	4
45	T81105460	Key uni 6604 5x5x30	1
46	T81105473	Key uni 6604 4x4x35	1
47	T822501031	Main brush motor pulley TK 1400	1
48	T822601333	Main brush holder zinc-arm TK 1200	1
49	T81105123	Nut uni 5588 M6	1
50	T81330019	Belt POLY 864-340 J 8	1
51	T81105467	Key uni 6604 5x5x20	1



**GENIUS 1200 - AUTOMATIC SWEEPER -BRUSH ASSY**

<b>POS.</b>	<b>PART #</b>	<b>DESCRIPTION</b>	<b>QTY.</b>
52	T81105506	Screw TCCE uni 5931 6x20 zb	1
53	T81320018	Hand-wheel	2
54	T821901006	Belt stretcher strap	1
55	T81105704	Snap ring	2
56	T821101032	Spacer	1
57	T81390007	Bearing 6000	2
58	T822501015	Belt stretcher roll	1
59	T822301035	Belt stretcher roll pin	1
60	T81105533	Screw TCCE uni 5931 6x12 zb	2
61	T82205015	Belt stretcher spring	1
62	T81105230	Screw TB CE 8x10	2
63	T81105330	Washer uni 6593 4x12x1,5zb	7
64	T81390032	Bearing 6001-2RS1	2
65	T81105306	Washer 12x24	1
66	T81105324	Washer 6X18	4
67	T81380090	Fuse-box	1
68	T81380089	Fuse	1
69	T822601183	Bracket	1

## GENIUS 1200 - AUTOMATIC SWEEPER -SIDE BRUSH ASSY



### GENIUS 1200-4

#### GENIUS 1200 - AUTOMATIC SWEEPER -SIDE BRUSH ASSY

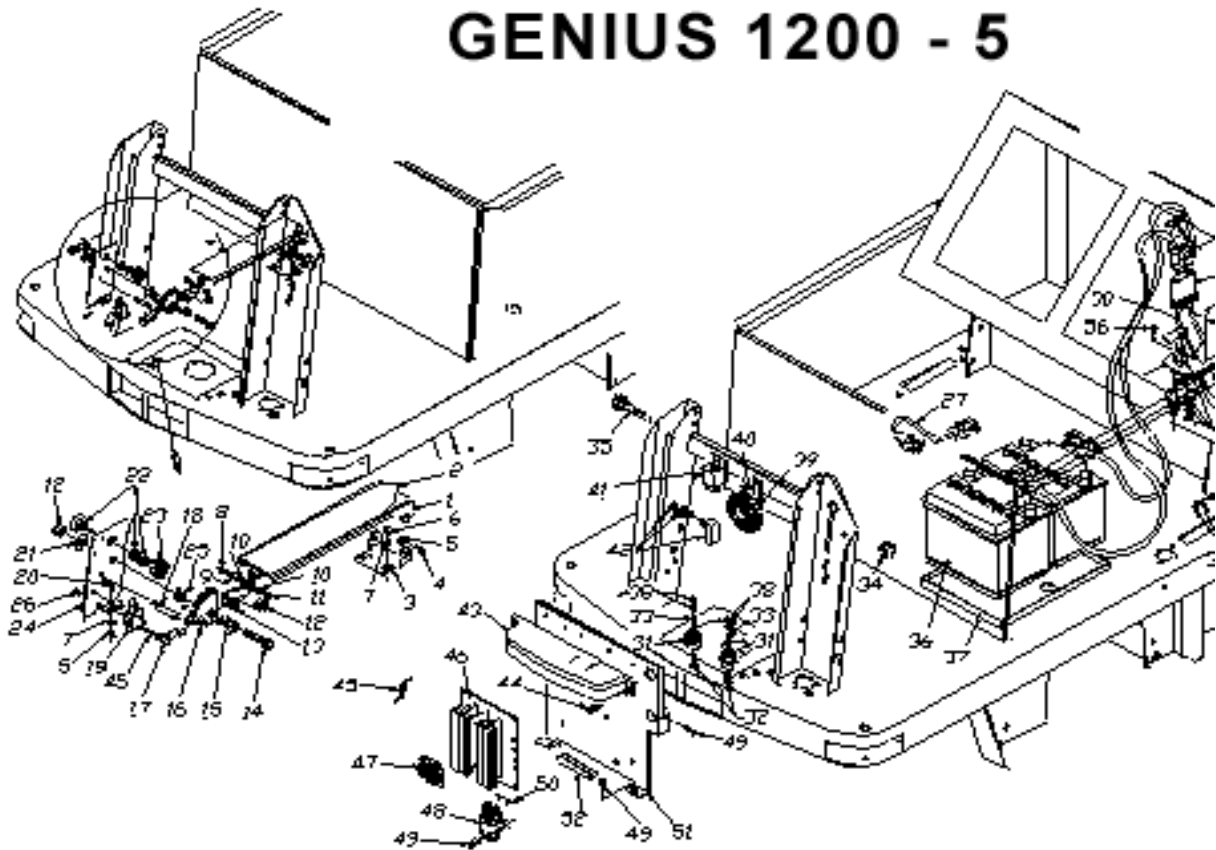
POS.	PART #	DESCRIPTION	QTY.
1	T81350047	Lateral brush	2
2	T81105162	Screw TE FR 6x16 zb	10
3	T81105325	Washer 6x24	2
4	T81105464	Key uni 6604 5x5x25	2
5	T821501005	Lateral brush holder flange	2
6	T81340024	Gear motor 24V 90W SX	1
7	T81340016	Gear motor 24V 90W DX	1
8	T81105507	Screw TCCE 6x16	8
9	T822601206	Right side brush motor zinc-support	1
10	T822601207	Left side brush motor support	1
11	T813201005	Brush shaft damper	2
12	T822601168	Right side brush shaft zinc-guide	1
13	T822601169	Leftside brush shaft guide	1

**GENIUS 1200 - AUTOMATIC SWEEPER -SIDE BRUSH ASSY**

<b>POS.</b>	<b>PART #</b>	<b>DESCRIPTION</b>	<b>QTY.</b>
14	T822601063	Lateral brush holder flange	2
15	T821301004	Spacer	2
16	T81105419	Outer snap ring din 471 d.30	2
17	T81105507	Screw TCCE 6x16	6
18	T81105303	Washer 6x12	6
19	T81380136	Clamp	4
20	T81105065	Screw TE uni 5739 8x30 zb	2
21	T81105326	Washer uni 6592 8X24	4
22	T81105134	Block nut din 985 M8 zb	4
23	T81105123	Nut uni 5588 M6	2
24	T81105133	Block nut din 985 M6 basso zb	2
25	T822901001	Screw TK1400	2
26	T821001023	Lateral brushes rotation zic-rod	2
27	T822051014	Spring	2
28	T81105533	Screw TCCE 6x12	2
29	T81105325	Washer 6x24	2
30	T81105125	Nut uni 5588 M10	4
31	T81155005	Axle joint M10	2
32	T822601110	Right side brush lifting arm	1
33	T822601111	Left side brush lifting arm	1
34	T821501101	Lateral brush adjustment stand	2
35	T81370012	Vibration damper,	2
36	T81105123	Nut uni 5588 M6	2
37	T81105236	Screw iso 7380 6x16 zb	4
38	T81105324	Washer uni 6593 6x18x1,5	4
39	T81105410	Outer snap ring din 471 Ø 10	2
40	T81105305	Washer uni 6592 10x21	2
41	T822051004	Spring	2
42	T821101015	Bushing	2
43	T821101016	Bushing	2
44	T813201008	Knob	2
45	T81105045	Screw TE uni 5739 6x30 zb	2

## GENIUS 1200 - AUTOMATIC SWEEPER -CHASSIS ASSY

# GENIUS 1200 - 5



## GENIUS 1200 - AUTOMATIC SWEEPER -CHASSIS ASSY

POS.	PART #	DESCRIPTION	QTY.
1	T822601140	Accelerator pedal TK 1400	1
2	T82160051	Non-slip platform	1
3	T822601141	Accelerator pedal support TK 1400	1
4	T81105234	Screw TBCE iso 7380 6x10 zb	2
5	T81105133	Lock nut din 985 M6	2
6	T81105236	Screw TBCE 6x16 zb	2
7	T81105303	Washer uni 6592 6x12 zb	2
8	T81105765	Screw TCCE zb 5x25	1
9	T821101064	Accelerator bushing	1
10	T81105808	Washer uni 6592 5x15 zb	2
11	T81105122	Nut uni 5588 M5	1
12	T81105134	Low lock nut din 985 M8 zb	2
13	T821901007	Galvanised accelerator connecting rod 1400	1

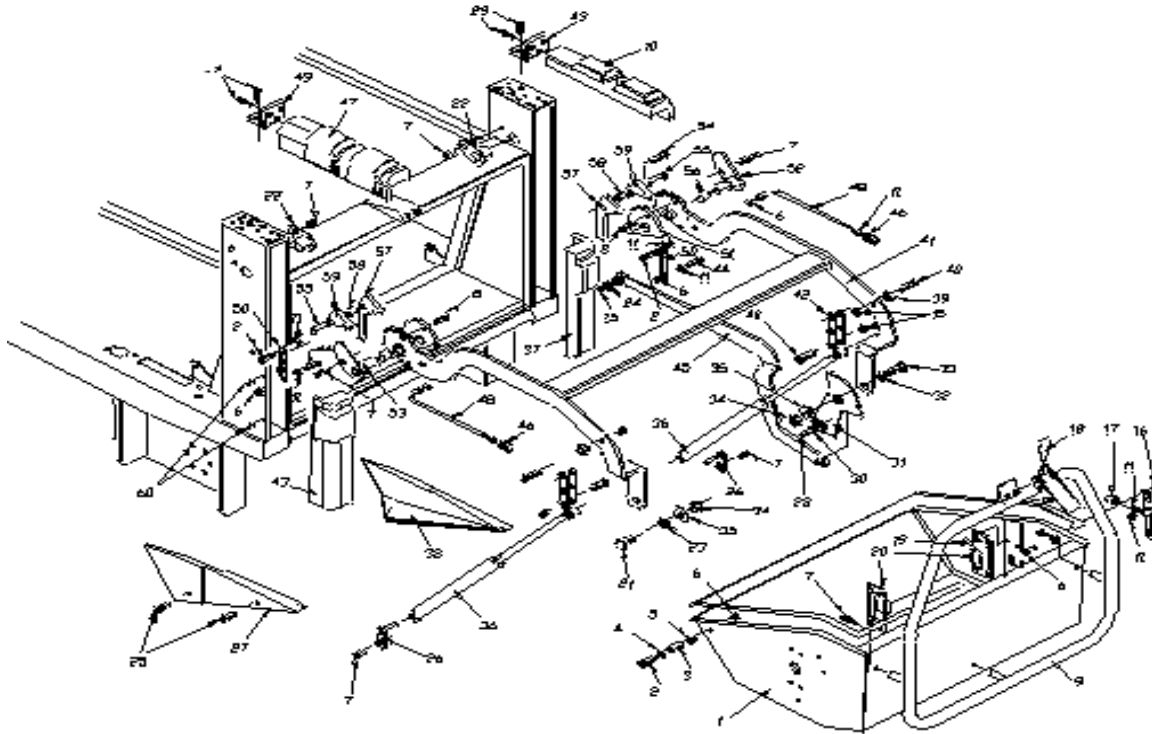
**GENIUS 1200 - AUTOMATIC SWEEPER -CHASSIS ASSY**

<b>POS.</b>	<b>PART #</b>	<b>DESCRIPTION</b>	<b>QTY.</b>
14	T81105066	Screw uni 5739 8x35	1
15	T821101019	Accelerator bushing	1
16	T822501006	Accelerator gear	1
17	T81105065	Screw uni 5739 8x30	1
18	T82230005	Belt support pin Ø 9 h.33	1
19	T821801018	Micro-switch	1
20	T81105507	Screw TCCE zb 6x16	1
21	T81105326	Washer uni 6593 8x24x2,5 zb	1
22	T81180055	Potentiometer for the accelerator	1
23	T822501011	Gear for the accelerator potentiometer	1
24	T822601146	Bracket	1
25	T822051007	Torsional spring	1
26	T81105120	Nut uni 5588 M3	6
27	T81180016	Battery bridge section 16, 30 cm	3
28	T821801057	Battery connection cable TK 1400	1
29	T81380032	Battery disconnection key 100A 24V	1
30	T81380086	Intake FT 80	1
31	T81380091	Insulator mm 35 M6 CH32	3
32	T81105160	Screw TE FR 6x10	3
33	T81105480	Dowel 6x30	2
34	T812701004	Cap	1
35	T813801009a	Emergency pushbutton TK 1400	1
36	T81180041	Battery 12 V 120 AH semitraction	2
37	T821201075	Battery container TK1200 E	
	T821201214	Battery container TK1200 DP	
38	T81105123	Nut M6	6
39	T81380033	Horn 24 V	1
40	T81105361	Screw TE FR 6,3x19 zb	2
41	T81180019	Flashlight 24vx220w	1
42	T81380001	Micro-switch (MS/10-Z15GQ)	2
43	T821201112	Circuit board cover	1
44	T81105792	Screw 3,9x9,5	2
45	T81180132	Resistor	1
46	T821801056	Power control card TK 1200	1
47	T821801054	Relay control card TK 1400	1
48	T81380085	Remote control switch T106P 24V 100%	1
49	T81105162	Screw TE FR 6x16	4
50	T81380070	100A Fuse	1

**GENIUS 1200 - AUTOMATIC SWEEPER -CHASSIS ASSY**

<b>POS.</b>	<b>PART #</b>	<b>DESCRIPTION</b>	<b>QTY.</b>
51	T822601075	Wiring diagram holder plate TK 1400	1
52	T81160061	Gasket	0.01
53	T822621094	Bracket	1
54	T81105502	Screw TSCE uni 5933 6x16 zb	2
55	T81105802	Screw TCTC inox 4x30	2
56	T81105507	Screw TCCE uni 5931 6x16 zb	2
57	T81105071	Screw TE uni 5739 3x25 zb	2

## GENIUS 1200 - AUTOMATIC SWEEPER -HOPPER ASSY



## GENIUS 1200-6a

### GENIUS 1200 - AUTOMATIC SWEEPER -HOPPER ASSY

POS.	PART #	DESCRIPTION	QTY.
1	T821201176	Rear hopper	1
2	T81105510	Screw TCCE uni 5931 6x35	3
3	T821101080	Bushing	1
4	T81105303	Washer uni 6592 6x12	1
5	T822501051	Roller	1
6	T81105137	Block nut din985 M6	6
7	T81105162	Screw TE FR 6x16 zb	7
8	T81105555	Screw TCCE uni5931 8X16	2
9	T822001002	Handle	1
10	T821201211	Rear right bumper	1
11	T81105123	Nut M6	8
12	T821901010	Release lever	1
13	T822301064	Pin	1
14	T822051018	Spring	1
15	T81105134	Block nut din985 M8	5
16	T822301066	Pin	1

**GENIUS 1200 - AUTOMATIC SWEEPER -HOPPER ASSY**

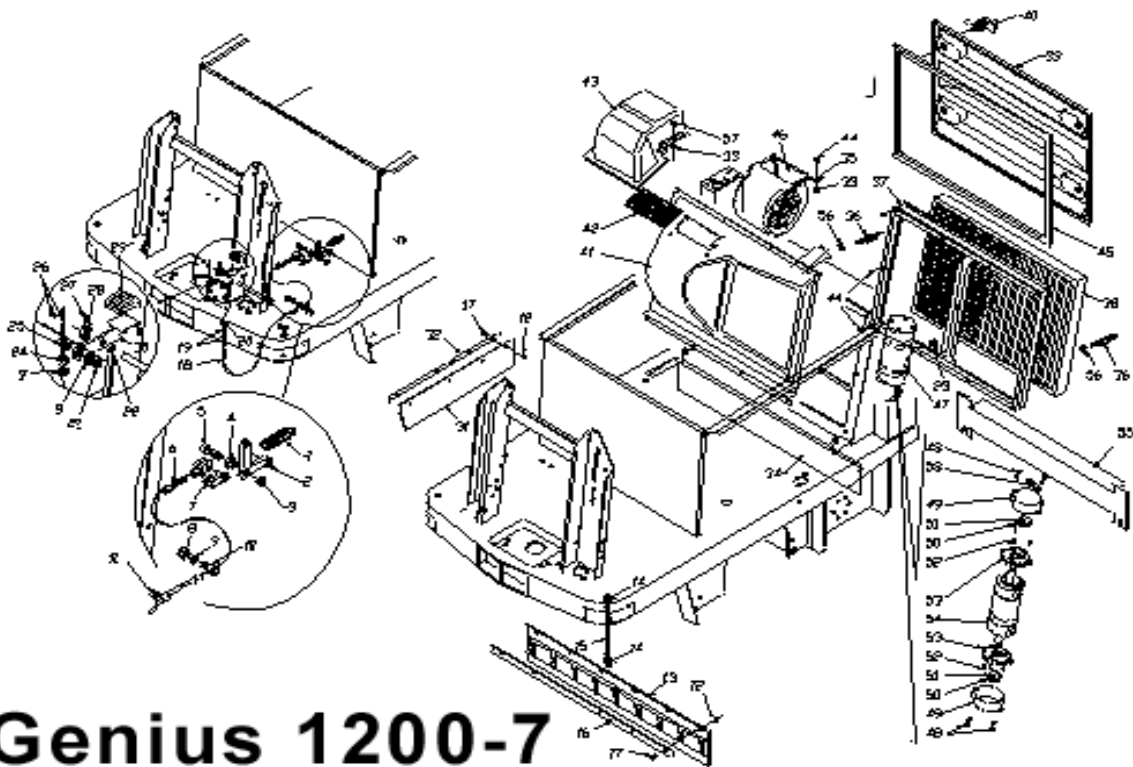
<b>POS.</b>	<b>PART #</b>	<b>DESCRIPTION</b>	<b>QTY.</b>
17	T81370012	Vibration damper	1
18	T81320069	Lever lock	1
19	T81105160	Screw TE FR6x10 zb	8
20	T821201182	Casing	2
21	T821051007	Screw	1
22	T822301075	Counter-pin	2
23	T821051006	Washer	1
24	T81105326	Washer 8X24	1
25	T81105533	Screw TCCE uni5931 6X12	5
26	T822301068	Pin	2
27	T821201190	Bin conveyor	1
28	T81105512	Screw TCCE uni5931 5X12	1
29	T81105507	Screw TCCE 6x16	8
30	T81105323	Washer uni6593 5X20	1
31	T822601251	Galv. Right hand arm	1
32	T821101082	Bronze bushing	2
33	T822301062	Pin	1
34	T81105135	Block nut din985 M10	2
35	T81105367	Washer uni 6593 10x30	2
36	T812051008	Gas spring	2
37	T821201209	Rear right bumper	1
38	T821201189	Bin conveyor	1
39	T822301063	Pin	2
40	T81105066	Screw TE 8X35 zb	4
41	T822601243	Bin lifting arm	1
42	T821901011	Connecting rod	2
43	T821201210	Rear left bumper	1
44	T81105779	Screw TE 6X25 zb	2
45	T822601241	Galv. right hand arm	1
46	T811051000	Fork	2
46	T811051100	Clamp for fork	2
47	T821201212	Rear left bumper	1
48	T822601302	Bumper control rod	2
49	T813201004	Marbett hinge with diam. 6 holes	2
50	T822051019	Spring	2
51	T821501035	Flange	2
52	T822301071	Pin	1
53	T822301072	Pin	1



**GENIUS 1200 - AUTOMATIC SWEEPER -HOPPER ASSY**

<b>POS.</b>	<b>PART #</b>	<b>DESCRIPTION</b>	<b>QTY.</b>
54	T81105516	Screw TCCE uni 5931 6X25	2
55	T822301065	Pin	2
56	T81110008	Bushing GLYCODUR GLY.PG 16-18-20 F	2
57	T822601246	Hook	2
58	T81110012	Bushing GLYCODUR GLY.PG 10-12-20 F	2
59	T822601247	Counter-hook	2
60	T81105506	Screw TCCE uni 5931 6X20	4

## GENIUS 1200-AUTOMATIC SWEEPER-FILTER/LIFT FLAP ASSY



# Genius 1200-7

### GENIUS 1200-AUTOMATIC SWEEPER-FILTER/LIFT FLAP ASSY

POS.	PART #	DESCRIPTION	QTY
1	T822051010	Traction spring	1
2	T821901002	Butterfly opening driving lever TK 1400	1
3	T81105134	Block nut din 985 M8 bassozb	1
4	T821101058	Bushing	1
5	T81105065	Screw TE uni 5739 8x30	1
6	T821251011	Flap lifting cable	1
7	T811051100	Clamp for fork M6	3
8	T81105136	Block nut din 985 M12zb	1
9	T81105306	Washer uni 6592 12x24	4
10	T822301013	Pivot	1
11	T81500017	Clamp	1
12	T81105813	Plastic insert (female screw)	4
13	T821601049	Front adjustable flap	1
14	T811051000	Fork	2
15	T822301077	Pin	1
16	T821501036	Front blocking-fllap holder	1
17	T81105805	Self tapping screw TC+ uni 6954 3,5x14,5 zb	4

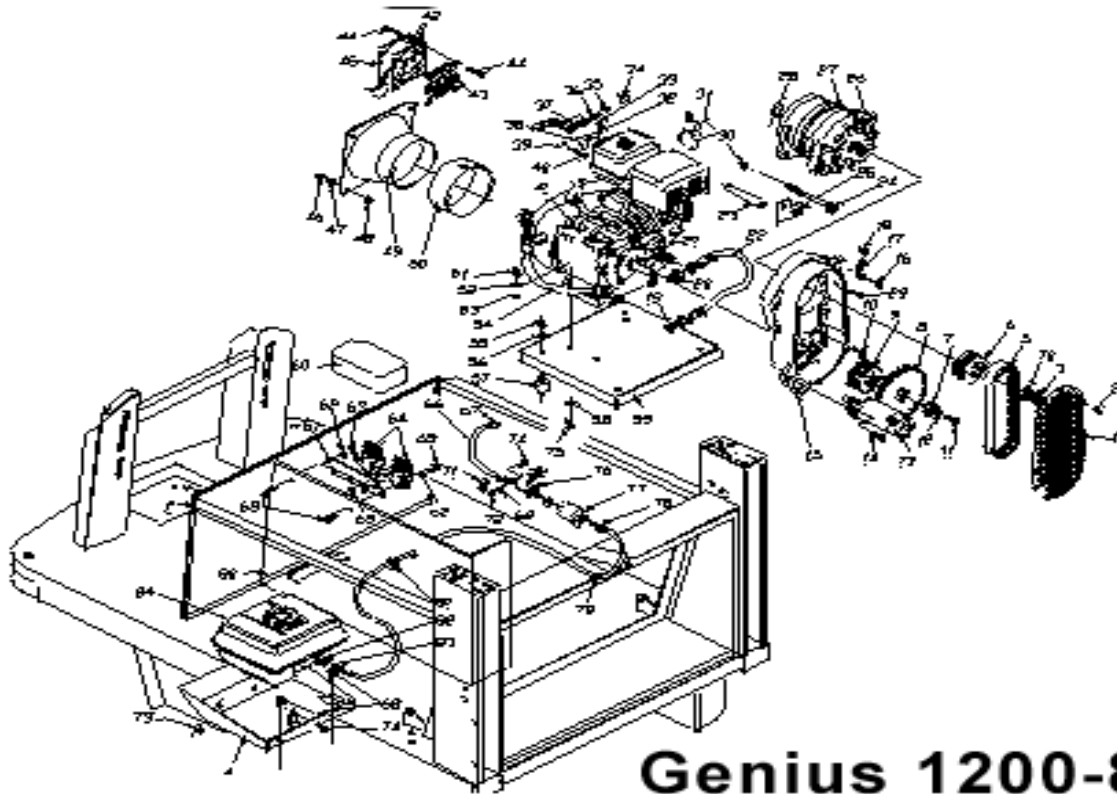
**GENIUS 1200-AUTOMATIC SWEEPER-FILTER/LIFT FLAP ASSY**

POS.	PART #	DESCRIPTION	QTY
18	T821251000	Flap lifting sheathing	1
19	T81105229	Turned adjuster Ø 7	1
20	T822301009	Cable centering pivot	1
21	T81105420	Outer snap ring din 471 Ø 12	2
22	T81105305	Washer uni 6592 10x21 zb	1
23	T81105559	Screw TSCE uni 5933 10x16 zb	1
24	T81105126	Nut uni 5588 M12	1
25	T822301003	Cable fixing pivot	1
26	T81125004	Clamp Ø 7 art. C7035	1
27	T81105482	Dowel uni 5923 6x5	1
28	T821101006	Bushing	1
29	T813201007	Pedal cover V1021	1
30	T822601151	Flap lifting pedal	1
31	T821601044	Side flaps TK 1400	1
32	T821501028	Side blocking-fllap holder	1
33	T81105133	Block nut din 982 M6 zb	8
34	T821601051	Fixed backside flap	1
35	T81105303	Washer uni 6592 6x12	6
36	T823101481	Unlooking filter handle	2
37	T823101480	Filter bearing frame	1
38	T82360004	Paper filter	1
39	T821201068	Fliter locking cover	1
40	T82300111	Complete locking TEK	4
41	T821201206	Fan casing	1
42	T822621139	Suction fan grille	1
43	T821201213	Air exhaust tunnel	1
44	T81105236	Screw TBCE iso 7380 6x16 zb	18
45	T821601018	Locking filter cover' gasket	1
46	T81340041	Suction fan motor	1
47	T82300396	Complete filter shaker electric motor 24V	1
48	T81105365	Self tapping screw TSP+ uni 6955 3.9x32 zb	8
49	T82120288	Filter shaker bulk' protection cover	4
50	T81105482	Dowel uni 5923 6x5	4
51	T82110045	Counterweight bushing for filter shaker	4
52	T81105781	Screw uni 5933 4x12 zb	12
53	T82150031	Filter shaker motor flange	4
54	T81340029	Motor Ø 63 24V G3800 W35	2
55	T822601338	Filter shaker motor support	1

**GENIUS 1200-AUTOMATIC SWEEPER-FILTER/LIFT FLAP ASSY**

POS.	PART #	DESCRIPTION	QTY
56	T81105220	Block nut din 982 M8 zb	4
57	T81105162	Screw TE FR 6X16	2
58	T82160117	Wire fixing rubber pad	2

## GENIUS 1200-AUTOMATIC SWEEPER-MOTOR ASSY



### Genius 1200-8

### GENIUS 1200-AUTOMATIC SWEEPER-MOTOR ASSY

POS.	PART #	DESCRIPTION	QTY.
1	T822601236	Alternator belt guard TK1400	1
2	T81105023	Screw TEFR M5X12	6
3	T821301017	Alternator pulley fixing nut TK 1400	1
4	T822601264	Tank fixing bracket	1
5	T81330020	Toothed belt 565-5M-25-HTD	1
6	T822501047	Alternator pulley HTD44-5M-25-6 TK1300	1
7	T821501023	Gear locking washer	1
8	T822501025	Gear wheel for motor starting	1
9	T822501048	Pulley for the HONDA 5.5HP engine	1
10	T81105499	Screw TS CE uni 5933 8x25 zb	4
11	T81105821	Screw TS CE uni 5933 8x25 inox	1
12	T81105308	Washer DIM 6798 8x15	1
13	T813401006	Complete starter 24V-300W-SX	1
14	T81105563	Screw TCCE 8x30 zb	2
15	T822601235	Alternator support TK 1400	1
16	T81105101	Screw TE uni 5739 8x60	1

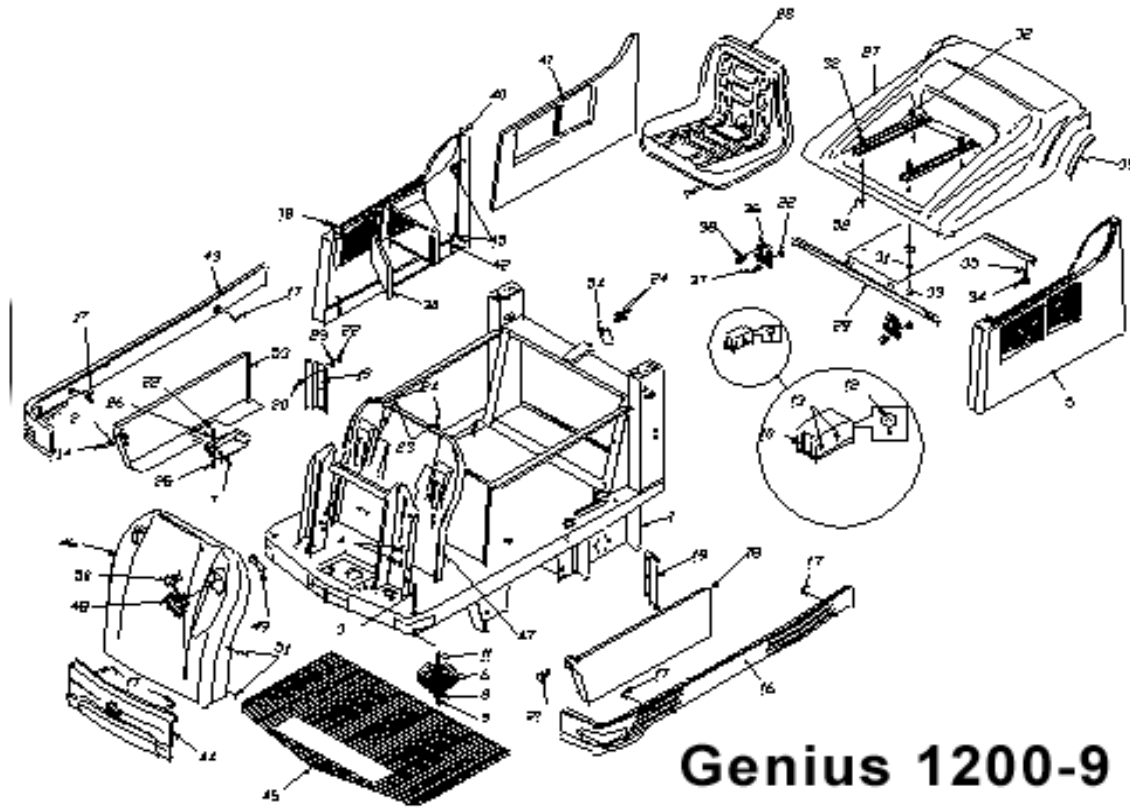
**GENIUS 1200-AUTOMATIC SWEEPER-MOTOR ASSY**

<b>POS.</b>	<b>PART #</b>	<b>DESCRIPTION</b>	<b>QTY.</b>
17	T81500019	Alternator belt tightener	1
18	T81105137	Tall lock nut M6	1
19	T812551001	Cap	1
20	T822551001	Nipples 1/4 - M10x1,25	1
21	T821051002	Key 5x5x41	1
22	T825001010	Oil pipe	1
23	T821301023	Spacer for alternator	1
24	T81105524	Screw TE M10x160	1
25	T822601237	Bracket for oil pipe	1
26	T81290001	Alternator cooling fan with anti-clock. rotation	1
27	T813401008	Alternator 28V-80A Ref.0986039340	1
28	T823802007	Temperature sensor F11-140 NC	1
29	T81105100	Screw TE 8X45	1
30	T81105135	Tall lock nut M10	1
31	T825001039	Silencer extension	1
32	T81105772	Spring washer	2
33	T81105816	Screw TCTC 3X5	2
34	T821101057	Solenoid air motor beam-engine	1
35	T821901005	Solenoid belt TK 1400	1
36	T822051013	Solenoid spring TK 1400	1
37	T813801005	Solenoid K9B-36DL-1041	1
38	T822601097	Galv. air-solenoid fixing bracket TK1400	1
39	T81105817	Screw TCTC 3X12	1
40	T81105120	Tall lock nut M3	1
41	T81340039	Honda GX 160 K1 Sx4 OH	1
42	T81105132	Low lock nut din 985 M4 zb	4
43	T81290008a	Fan protection gred	1
44	T81105800	Screw TCTC 4x16	4
45	T81290008	Cooling fan	1
46	T81105236	Screw TBCE iso 7380 6x16 zb	4
47	T81105324	Washer 6x18	4
48	T81105133	Low lock nut din 985 M6 zb	4
49	T821201074	Gas engine air-conveyor TK 1400	1
50	T821601015	Air-conveyor gasket TK 1400	1
51	T81105134	Low lock nut din 985 M8 zb	4
52	T81105750	Spring washer	4
53	T81105304	Washer uni 6592 8x17	6
54	T81500001	Oil dipstick Gx270	1

**GENIUS 1200-AUTOMATIC SWEEPER-MOTOR ASSY**

<b>POS.</b>	<b>PART #</b>	<b>DESCRIPTION</b>	<b>QTY.</b>
55	T81105134	Low lock nut din 985 M8 zb	4
56	T81105326	Washer uni 6593 8x24x2,5	4
57	T81370011	Vibration damper MM 30x25 8x16	4
58	T81105326	Washer uni 6593 8x24x2,5	4
59	T822601079	Galv. motor support plate HONDA 6.5HP	1
60	T821201076	Remote control switches' protection casing	1
61	T822601101	Remote control switch holder bracket TK 1400	1
62	T81105303	Washer uni 6592 6X12	1
63	T81105133	Low lock nut din 985 M6 zb	1
64	T81380085	Remote control switch T106P 24V 100%	2
65	T81105234	Screw TB CE iso 7380 6x10 zb	4
66	T822701038	Fuel pipe for lead-free petrol	1
67	T81500020	Clamp	1
68	T81105162	Screw TEFR 6x16	2
69	T81105123	Nut uni 5588 M6	6
70	T821051008	Washer	1
71	T81500017	ECO hose clamp with 8 mm hole D.1 W0	3
72	T81105123	Nut uni 5588 M6	2
73	T81105133	Low lock nut din 985 M6 zb	6
74	T81105160	Screw TEFR 6x10	2
75	T81105059	Screw TE 8X40	4
76	T813801015	Solenoid valve	1
77	T815001022	Fuel filter	1
78	T81500020	Clamp	5
79	T822701038	Fuel pipe for lead-free petrol	1
80	T822601171	Engine partition	1
81	T813801017	Cable lug	1
82	T811601000	Gasket	1
83	T812551003	Hose fitting	1
84	T81120803	Fuel tank	1

## GENIUS 1200-AUTOMATIC SWEEPER-EXTERNAL PARTS



### Genius 1200-9

### GENIUS 1200-AUTOMATIC SWEEPER-EXTERNAL PARTS

POS.	PART #	DESCRIPTION	QTY.
1	T822701026	Grey frame TK 1200 RAL 7016	1
2	T81105324	Washer uni 6593 6x18x1,5 zb	1
3	T81105529	Screw TCCE 10x70	2
4	T81105202	Nut M6	4
5	T821201186	Grey left hand body side panel	1
6	T81250056	Wheel Ø 150x45 Ø15	2
7	T822601187	Right hand side door guard	1
8	T81105305	Washer uni 6592 10x21	2
9	T81105135	Block nut din 985 M10 zb	2
10	T81180022	Flashing light	2
11	T81110006	Buffer wheel bushing	2
12	T81180053	Lamp 25V /5W	2
13	T81105777	Screw TCCE 5X20	4
14	T81105162	Screw TE FR 6x16	3
15	T81105507	Screw TCCE 6X16	8
16	T821201146	Grey left hand bumper	1
17	T81105555	Screw TCCE uni 5931 8x16 zb	8
18	T822601202	Leftside door	1



### GENIUS 1200-AUTOMATIC SWEEPER-EXTERNAL PARTS

POS.	PART #	DESCRIPTION	QTY.
19	T821601088	Galvanised door hinge	2
20	T81105160	Screw TE FR 6x10	2
21	T81320018	Hand-wheel Ø 30 M6x15	1
22	T81105133	Low locknut M6	2
23	T81105303	Washer uni 6592 6x12	2
24	T81105236	Screw TB CE iso 7380 6x16 zb	2
25	T81105516	Screw TCCE 6X25	2
26	T822051016	Spring	2
27	T821201196	Upper motor-hood, grey	1
28	T813201013	Seat	1
29	T822701025	Galvanised seat holder frame TK 1200	1
30	T821601040	Thermal reflector	1
31	T81105304	Washer uni 6592 8X17	4
32	T81105064	Screw TE uni 5739 8x25	4
33	T81105134	Low locknut M8	4
34	T81370012	Vibration damper,	2
35	T81105123	Nut uni 5588 M6	2
36	T813201004	Marbett hinge with diam. 6 holes	2
37	T81105506	Screw TCCE 6X20	4
38	T81105516	Screw TCCE 6X25	4
39	T821601042	Gasket	2
40	T821201187	Grey right hand body side panel E	
	T821201185	Grey right hand body side panel DP	
41	T821601050	Thermal reflector	1
42	T81105324	Washer uni 6592 6x18	8
43	T821201145	Rightside bumper	1
44	T821201149	Front spoiler	1
45	T821601055	Footboard	1
46	T821201217	Front casing (without lamps)	
	T821201083	Front grey external casing	
47	T821201062	Front inside casing	1
48	T821801058	Single spotlight	2
49	T81160011	Gasket	2
50	T81180057	Lamp 12V 35/35W	2
51	T81105235	Screw TB CE iso 7380 6x20	6
52	T81105326	Washer uni 6593 8x24x2,5	4
53	T822601203	Right hand door	1
54	T81320070		1



## Warranty Policy

### Limited Warranty

**Eagle Power Products (EPP) warrants new cleaning equipment against defects in material and workmanship under normal use and service to the original purchaser as detailed below.**

### 10 Years

**Subject to the conditions stated below, EPP warrants polyethylene tanks and housings to be free from defects in materials and workmanship for a period of ten years.**

### 3 Years

**Subject to the conditions stated below, EPP warrants all automatic scrubber components to be free from defects in materials and workmanship for a 3-year period. Parts replaced or repaired are warranted for the remainder of the original warranty period.**

### 1 Year

**Subject to the conditions stated below, EPP warrants all other cleaning equipment components to be free from defects in materials and workmanship for a 1-year period. Parts replaced or repaired are warranted for the remainder of the original warranty period. Batteries are prorated for one year.**

**EPP will furnish and charge for replacement parts, including transportation, to the original owner through an EPP authorized service center. If the part is returned within 30 days and is found defective, the owner will be credited for the cost of the replacement part including shipping and handling.**

Labor charges are covered for one year from the date of purchase if provided by an authorized EPP service center. Travel is covered for 90 days for battery operated equipment only.

Wear items exempt from warranty include belts, carbon brushes, power cords, wheels, pad drivers, clutch plates, brushes, pads, handle grips, filters, screens, throttle cables, and squeegees.

This warranty shall not apply to failures caused by misuse or abuse, improper maintenance as stated in the operation manuals, use of unauthorized repair parts, repairs by other than an EPP authorized service center, and damage in transit.

EPP disclaims and denies any liability for any direct, indirect, special incidental or consequential damage which may be suffered as a result of sale, delivery, servicing, use, loss of any product, downtime, labor, freight, or other charges not expressly included herein.

Date Purchased: \_\_\_\_\_

Model Number: \_\_\_\_\_

Serial Number: \_\_\_\_\_

Please be sure to record this information. This information will be necessary for future warranty claims.



1174 Northland Drive Mendota Heights, MN 55120  
651.686.5399 Fax 651.686.5695  
www.eaglepower.com

*Eagle Power Products Sales and Service Provided by:*