

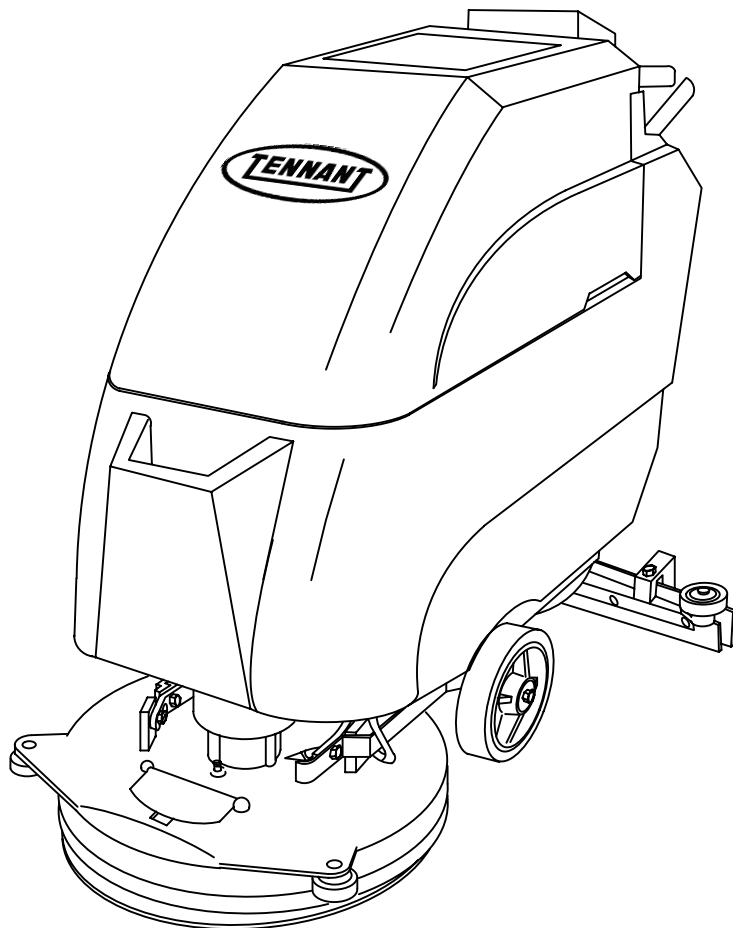


5300

Automatic Scrubber

Model No.:
300000PAC
300000
603053

Operator and Parts Manual

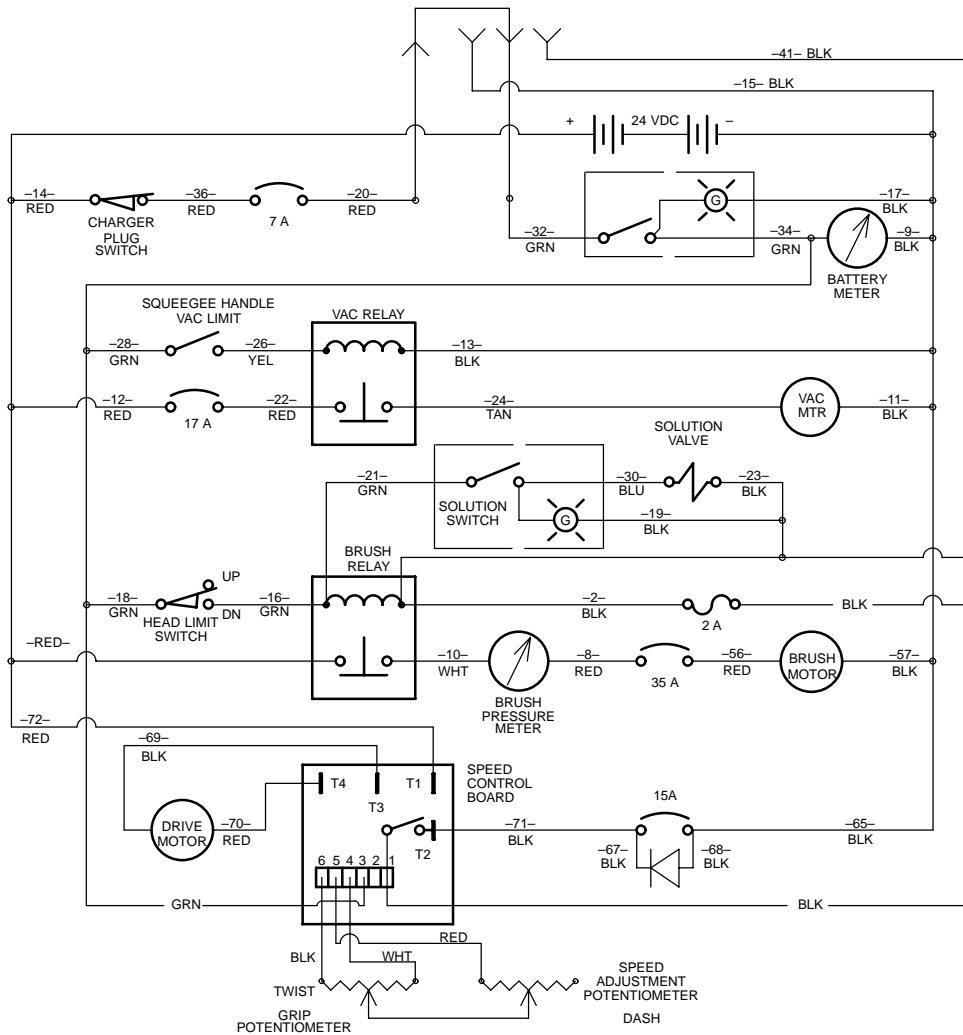
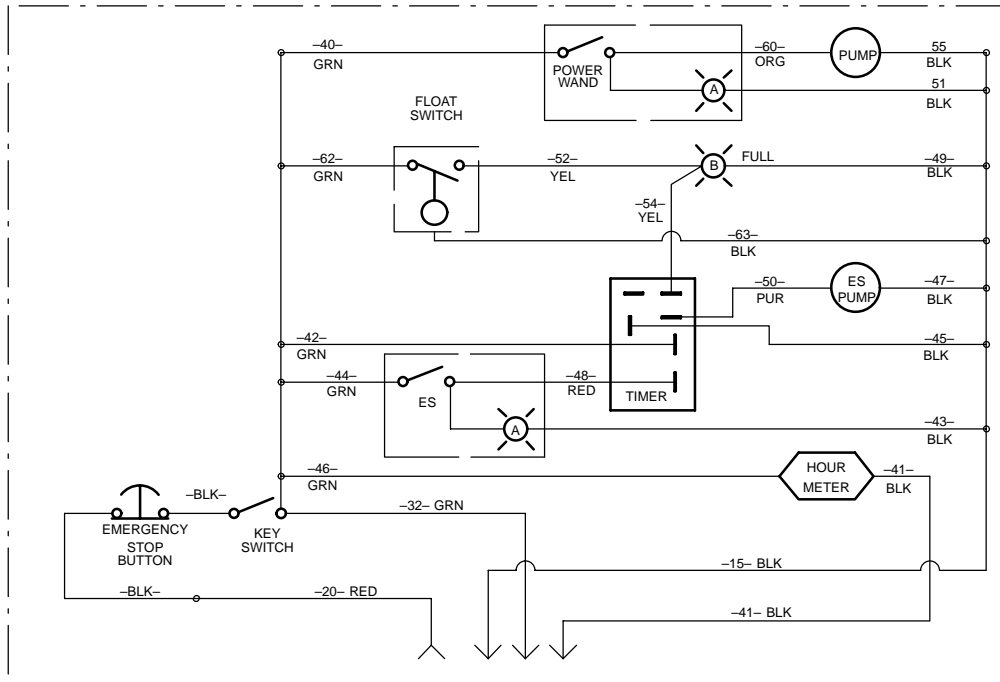


TENNANT COMPANY
Commercial Products
12875 RANSOM STREET
HOLLAND MI 49424 U.S.A.

FAX: 1-800-678-4240
CUSTOMER SERVICE: 1-800-982-7658

173420
Rev. 04 (11-00)

Fig. 1 – Ladder Diagram



HOW TO ORDER PARTS

PLACING AN ORDER

The components used in this machine have been carefully selected for performance and safety. Use only manufacturer's specified or equivalent parts.

When ordering parts, please furnish all of the following information:

1. Machine serial number - shown on the machine data plate.
2. Company name.
3. Shipping address.
4. Billing address.
5. Name, first and last, of person ordering parts.
6. Telephone number.
7. Purchase order number.
8. Part number, description, and quantity of each item on the order.

Do not order parts by key number or the figure number of the illustrated parts. Indented items indicate parts of assemblies. Standard hardware is furnished only when part of a purchased assembly. Please get hardware from a local hardware supplier.

If the old part cannot be identified, send it to us with the quantity needed specified on the order.

Any claim for loss or damage to a shipment in transit should be filed promptly against the transportation company making the delivery. Shipments will be complete unless the packing list or order acknowledgment indicates items back ordered.

If parts received are suspected to be incorrect or defective, please write, fax, or phone the representative from whom you ordered the part. They will give authorization for return and/or handle replacement shipments when required.

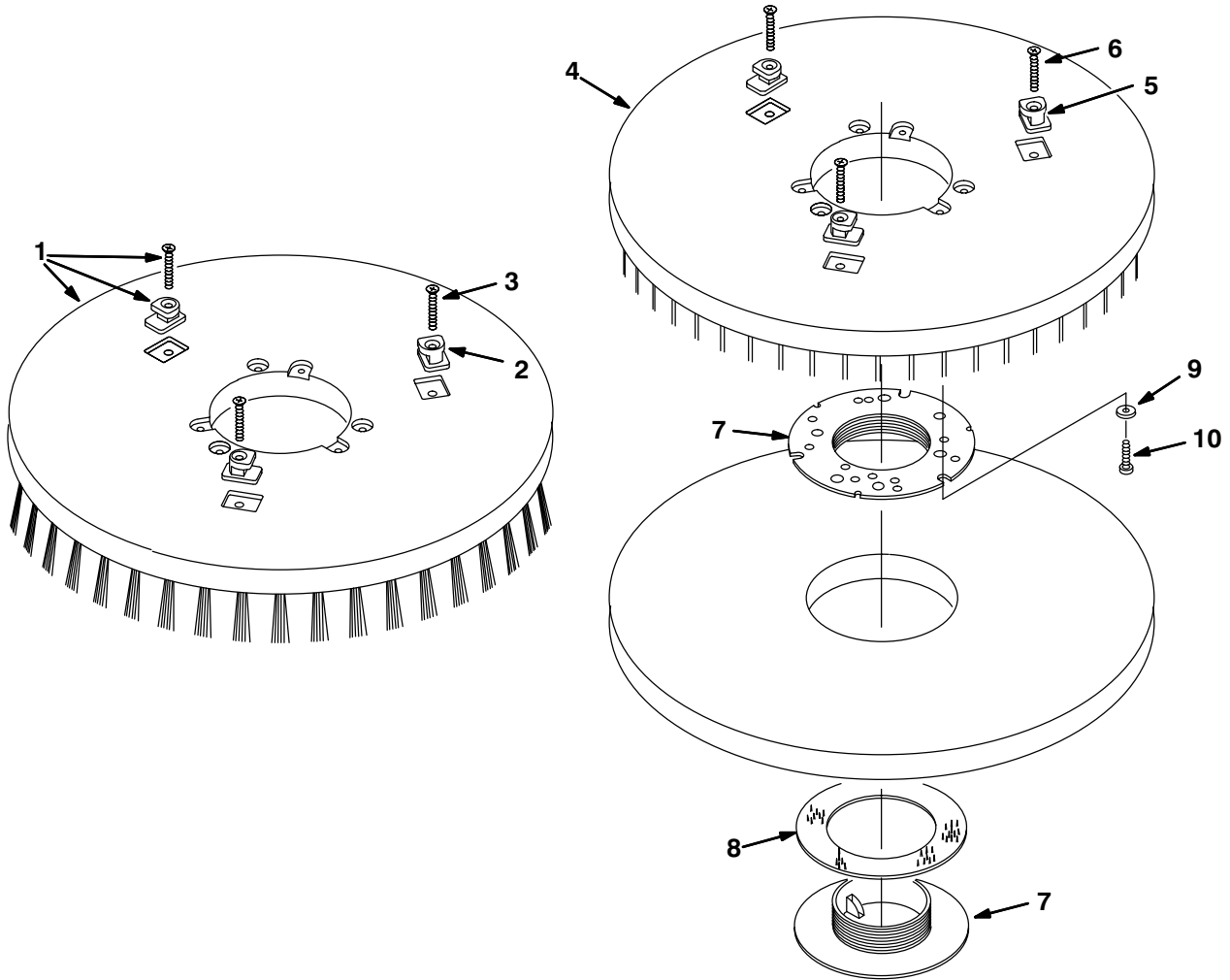
RECOMMENDED STOCK ITEMS

Refer to the Parts List section for recommended stock items. Stock items are clearly identified with a bullet preceding the parts description. See example below:



Ref.	Part No.	Description
1	201183	ASM_STANDOFF
2	188513	•FLOAT, SKIDOFF
3	228187	NIPPLE
4	101714	•GASKET
5	218248	NUT, FLANGED

REPLACEMENT BRUSHES AND PAD DRIVER GROUP



REF	PART #	DESCRIPTION	QTY.
∇1	222301	BRUSH ASM, 20" NYLON	1
▲2	630214	●STUD, 20" BRUSH/PAD DRIVER	3
▲3	140193	SCREW, M6X1.0X40	3
∇1	222300	BRUSH ASM, 20" POLY	1
▲2	630214	●STUD, 20" BRUSH/PAD DRIVER	3
▲3	140193	SCREW, M6X1.0X40	3
∇1	222302	BRUSH ASM, 20" GRIT	1
▲2	630214	●STUD, 20" BRUSH/PAD DRIVER	3
▲3	140193	SCREW, M6X1.0X40	3

REF	PART #	DESCRIPTION	QTY.
∇4	222303	●PAD DRIVER ASM, 20" PLAS BACK	1
▲5	630214	●STUD, 20" BRUSH/PAD DRIVER	3
▲6	140193	SCREW, M6X1.0X40	3
▲7	630473	●CENTER LOCK, PAD RETAINER	1
▲8	630472	WASHER, BRUSH PAD RETAINER	1
▲9	140007	WASHER, #8 FLAT	3
▲10	200070351	SCREW, M4X25	3

∇ ASSEMBLY

▲ INCLUDED IN ASSEMBLY

● RECOMMENDED STOCK ITEMS

SOLUTION TANK AND VACUUM MOTOR GROUP

REF	PART #	DESCRIPTION	QTY.
1	602698	TANK, SOLUTION, TEAL	1
2	14880.5	WASHER, 5/16 FLAT	2
3	200031488	SCREW, M8X1.25X20	2
4	200370019	WASHER, M8.4 LOCK	6
5	630024	●FILTER, SCREEN	1
6	630371	FITTING, 1/2MX5/8H ELBOW	1
7	601105	SPACER, .50X.62X1.62	1
8	612146000	FITTING, 3/4M X 3/4H STRT	1
9	630018	HOSE, 3/4ID X 33"	1
10	630019	●PLUG, EXPANSION, 3/4"ID	1
11	630369	CLAMP, HOSE .50-1.1"	1
12	102557	●GASKET, VAC MOTOR SEAL	1
13	607003	●MOTOR, VAC 5.7 2-STAGE 24V	1
	190163	●BRUSH, CARBON 2/PK	2
14	630013	GASKET, VAC MOTOR BRACKET	1
15	140340	SCREW, #10X5/8	4
16	630014	BRACKET, VAC MOTOR 20"	1
17	130040	WIRE TIE, 6"X.12	1
18	608322	SCREW, M6X1.0X16	4
19	630015	COVER, VAC MOTOR 20"	1
20	630006	FILTER SCREEN	1
∇21	630602	KIT, FILL COVER ASM	1
▲22	630338	COVER, SOLUTION FILL	1
▲23	630341	STIFFENER, SOL FILL COVER	1
▲24	140018	WASHER, #10 INT	1
▲25	578201000	SCREW, 10-32X.5	1
▲26	578301	KNOB, FILL-COVER	1

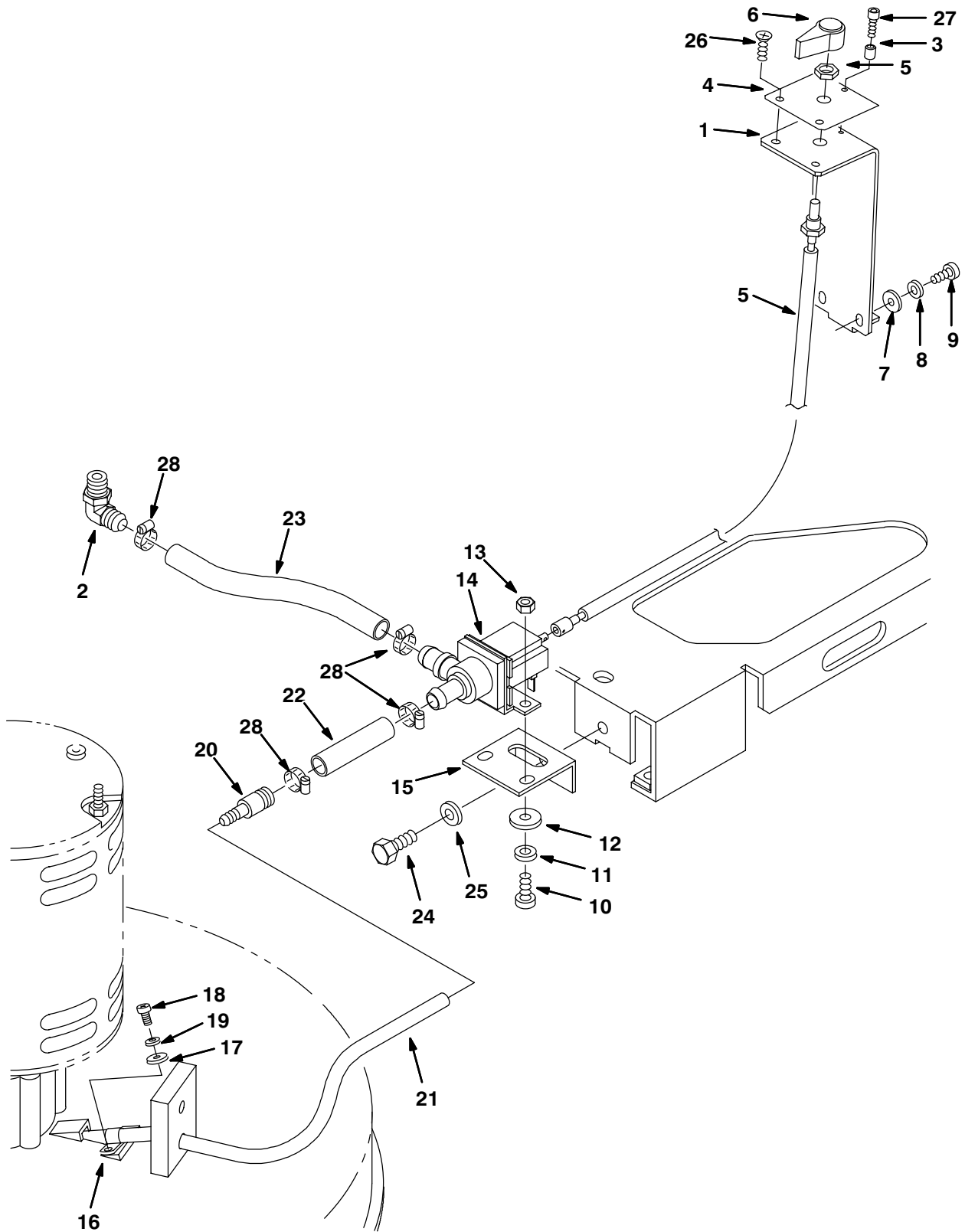
REF	PART #	DESCRIPTION	QTY.
27	630007	DOOR, SOL TANK ACCESS	1
28	140872	SCREW, #6X3/8	2
29	579210	WASHER, M6.4X18X1.5 FLAT	7
30	578244000	WASHER, M6.4X10 LOCK	7
31	200609438	SCREW, M6X20	1
32	630012	BRACKET, VAC TRANS MOUNT	1
33	630011	TUBE, VAC TRANS, FLANGE & BARB	1
34	630016	RING, RETAINING 1.82" DIA EXT	1
35	630267	SPRING, COMP 2.12X2.00	1
36	200031436	SCREW, M6X1.0X16	2
37	630146	FITTING, 3/8M PLUG	1
38	630021	CABLE ASM, TANK SUP-PORT	1
39	601991	TRAY, BATTERY	1
40	630380	GASKET, 119MM VAC MTR COVER	2
41	630381	GASKET, 223MM VAC MTR	2
42	200070340	SCREW, M4X.7X8	2
43	140023	WASHER, #8 INT	2
44	200301014	WASHER, M4.3X10.1X1 FLAT	2
45	630343	CLAMP, CABLE 7/8ID	2
46	630017	FILTER, SCREEN VAC FAN	1
47	140032	WASHER, #6 FLAT	2
48	140308	CLAMP, HOSE 1-5/16 TO 2-1/4	1
49	575537	CHAIN, BALL #10	.12m
50	575536	CHAIN, COUPLING END	2
51	140826	SCREW, #6X3/4	1
52	630508	O-RING, 9.2 ID X 12.7 OD	1

∇ ASSEMBLY

▲ INCLUDED IN ASSEMBLY

● RECOMMENDED STOCK ITEMS

SOLUTION CONTROL GROUP



SOLUTION CONTROL GROUP

REF	PART #	DESCRIPTION	QTY.
1	630057	BRACKET, SOL. ADJ. KNOB	1
2	601104000	FITTING-E90, .50" HOSE, .50" NPT	1
3	630452	SPACER, 4.3MM, 8.0MM NYLON	1
4	630233	DECAL, FLOW CONTROL	1
5	630117	CABLE, CONT. WATER FLOW	1
6	630116	KNOB, ADJ, VALVE	1
7	200315016	WASHER, FLAT, 5.3MM, 15.0, 1.6	2
8	140018	WASHER LOC INT #10	2
9	575569000	SCREW, M5X16	2
10	608322	SCREW, M6X1.0X16	2
11	578244000	WASHER, LOC INT M6	2
12	140012	WASHER, PLAIN, 3/16"	2
13	579029	NUT-HX STD M6X1.0	2
14	630022	●VALVE, SOLENOID, 24VDC	1

● RECOMMENDED STOCK ITEMS

REF	PART #	DESCRIPTION	QTY.
15	630059	BRACKET, VALVE	1
16	140328	CLAMP, 3/8" NYLON	1
17	200301014	WASHER, FLAT 4.3MM, 10.1, 1.0	1
18	579259	SCREW, M4X12MM	1
19	140023	WASHER, #8 INT	1
20	630164	FITTING, STR, .50HOSE X .25HOSE	1
21	630366	HOSE, .25IDX.345MM	1
22	630370	HOSE, 40MM SOLENOID/REDUCER	1
23	630379	HOSE, 210MM TANK/SOLENOID	1
24	200031488	SCREW, M8X1.25X20	1
25	200370019	WASHER LOC INT M8	1
26	069764140	SCREW, M5X16MM	2
27	200001343	SCREW, M4X12MM	1
28	140310	CLAMP, HOSE	4

RECOVERY TANK GROUP

REF	PART #	DESCRIPTION	QTY.
▽	610936	KIT, RECOVERY TANK, TEAL (FOR MACHINES MANUFACTURED BEFORE 11-00)	1
▲1	610935	TANK, RECOVERY, TEAL	1
▲2	200031486	SCREW, M8X1.25X16T	1
▲3	140015	WASHER, 5/16 SPLITLOCK	1
▲4	140027	WASHER, 5/16 FLAT	2
▲5	140116	BUSHING, .31X.44X.14	1
▲6	606527	SUPPORT, RECOVERY TANK	1
▲7	069760189	BUMPER, RUBBER	1
▲8	610979	PLUG	1
9	630134	O-RING, 16MM OD X 3.5MM	1
10	630139	FITTING, PLUG HEX 3/8"	1
11	140012	WASHER, 3/16 FLAT	8
12	578244000	WASHER, M6.4X10 LOCK	9
13	608322	SCREW, M6X1.0X16	8
▽14	603217	●DRAIN HOSE ASM	1
▲15	140308	CLAMP, HOSE	1
▲16	578441	STRAP, DRAIN HOSE	1
▲17	630394	SLEEVE, DRAIN HOSE 1.5"ID	1
▲18	621324	PLUG, EXPANSION	1
▲19	630068	HOSE, DRAIN 38.1MM ID	1
20	630052	●FLOAT, SHUT-OFF (2)BALL	1
21	059650283	WASHER, M6.4X18X1.6 FLAT	2

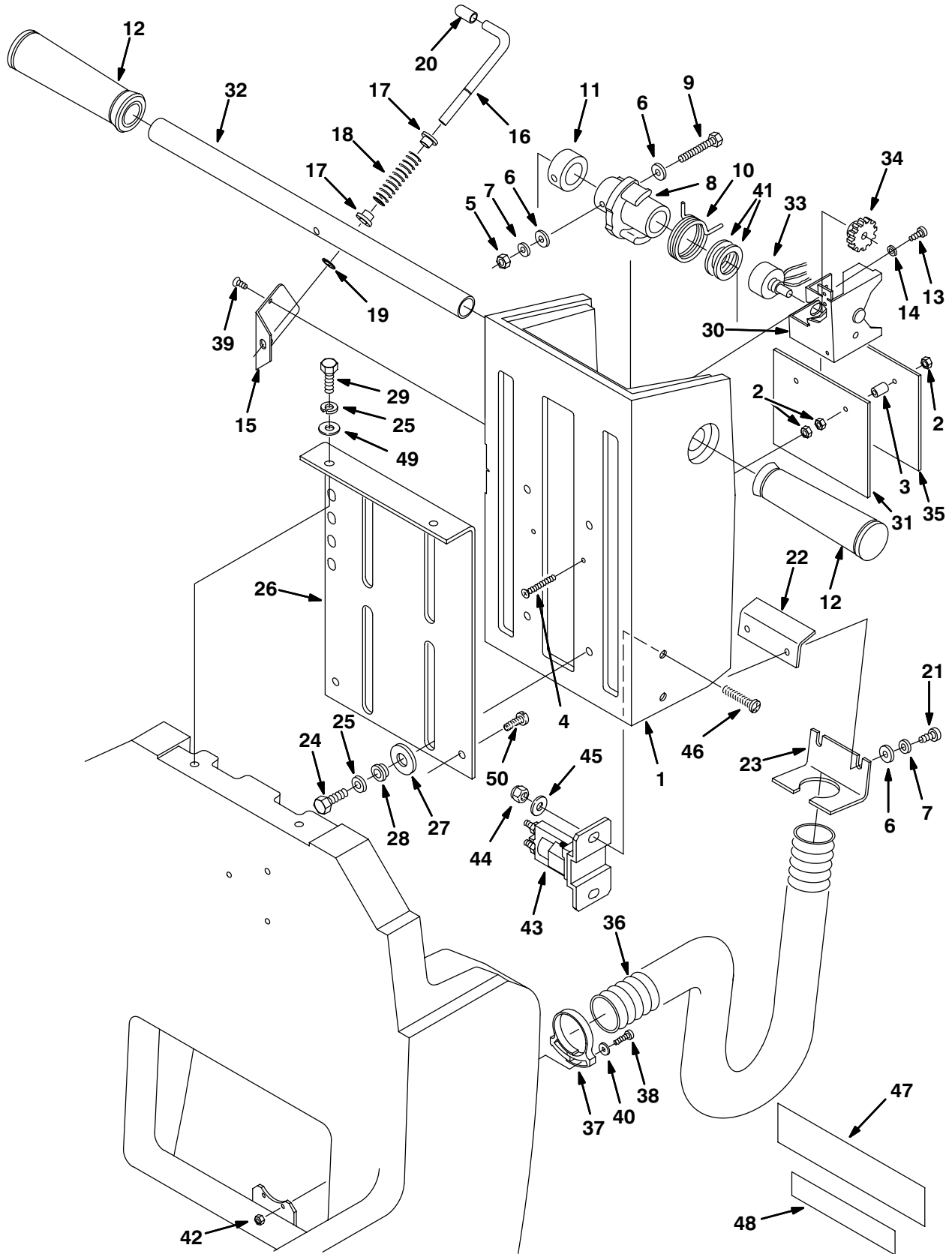
▽ ASSEMBLY

▲ INCLUDED IN ASSEMBLY

● RECOMMENDED STOCK ITEMS

REF	PART #	DESCRIPTION	QTY.
22	600385	SCREW, M6X1.0X20	2
23	578244000	WASHER, M6.4X10 LOCK	2
24	630053	MOUNT, FLOAT-CAGE	1
▽25	630601	KIT, REC. TANK COVER	1
▲26	630420	LABEL, FLAMMABLE MATL	1
▲27	630367	●GASKET, REC. TANK COVER	1
▲28	630390	WASHER, .15X.56X.04 FLAT	4
▲29	630056	STRAP, TANK COVER RET.	1
▲30	140872	SCREW, #6X3/8	4
▲31	606105	DECAL, DO NOT SPRAY	1
32	200031436	SCREW, M6X1.0X16	1
33	630368	●GASKET, 650MM	1
34	608139	DECAL, 5300	2
35	630229	DECAL, TENNANT	1
36	630420	DECAL, FLAMMABLE MATL	1
37	630010	●GASKET, 70OD,43ID,12.7THK	1
38	630255	GASKET, FLOAT MOUNT	1
39	630048	HINGE, 17.9"	1
40	630231	DECAL, WIRING W/OPTIONS	1
41	630147	PLUG, .75NPT	1

CONSOLE GROUP



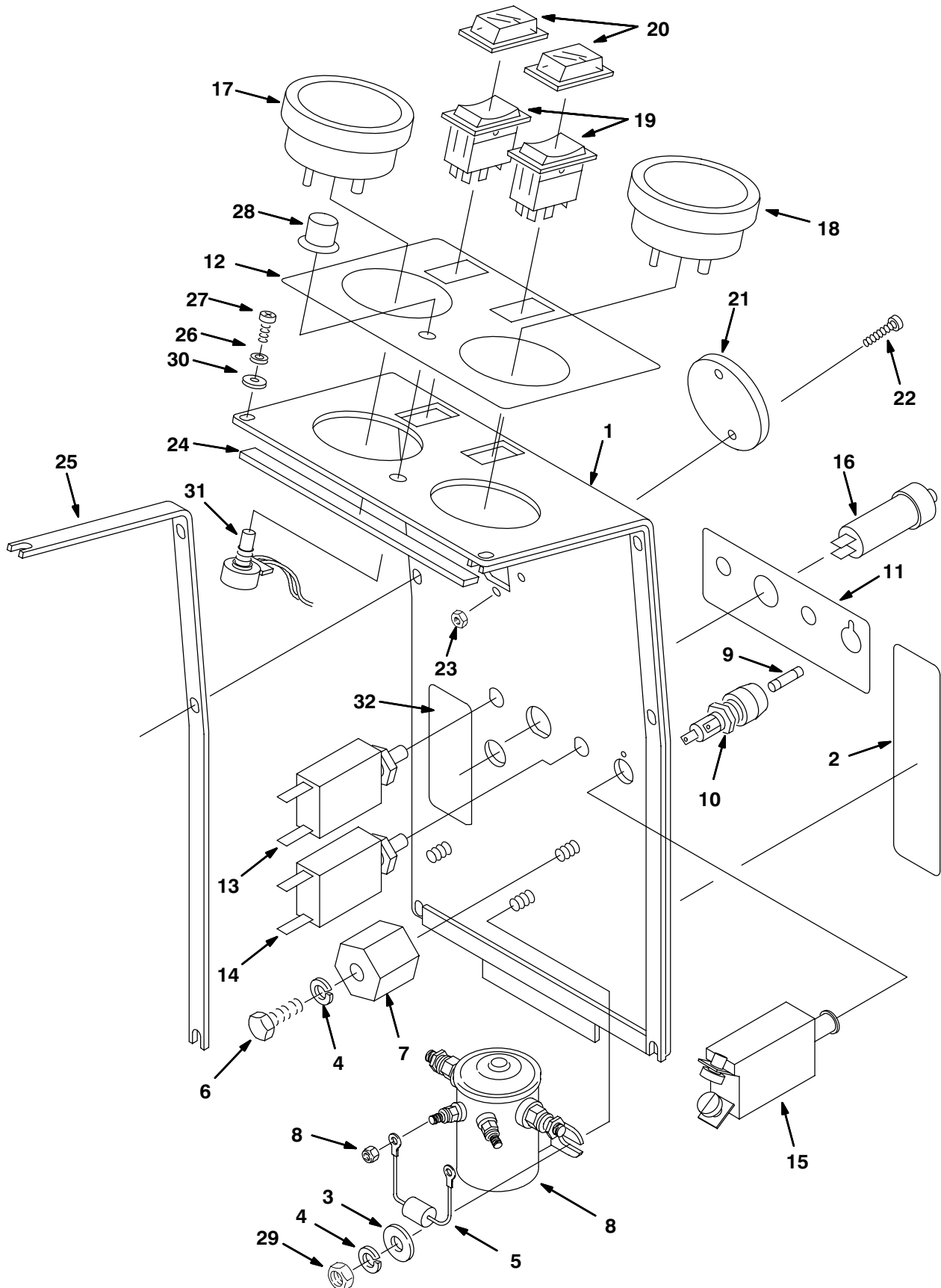
CONSOLE GROUP

REF	PART #	DESCRIPTION	QTY.
∇	610923	KIT, CONSOLE, TEAL (FOR MACHINES MANUFACTURED BEFORE 11-00)	1
▲1	610922	CONSOLE (TEAL)	1
▲2	200160014	NUT, HEX LOCK, M4	6
▲3	610943	SPACER, .217ID, .315OD, .375L	2
▲4	630304	SCREW, M4X35MM	2
5	579029	NUT, M6X1.0	1
6	579210	WASHER, FLAT, 6.4MM	4
7	578244000	WASHER, LOC INT M6	3
8	630109	GEAR & HUB ASSY, 22.4ID,20"SCR	1
9	630431	SCREW, M6X40MM	1
10	630088	SPRING, CENTERING	1
11	630217	COLLAR, .88"ID 1.38OD .63 LG	1
12	590002000	GRIP, HANDLE	2
13	200070340	SCREW, M4X8MM	2
14	140023	WASHER, LOCK, INT #8	2
15	630087	PLATE, RETAINER – LATCH	1
16	630081	LEVER, LATCH, CONSOLE ADJUST	1
17	630083	BUSHING, LATCH	2
18	630082	SPRING, COMP .42" 1.75 .035	1
19	630084	RING, RETAINING, EXT	1
20	630094	GRIP, LEVER-CONSOLE ADJUST	1
21	608322	SCREW, M6X1.0X16	2
22	630086	PLATE, STRAIN RELIEF	1
23	630108	BRACKET, MTG, CONDUIT	1
24	200031486	SCREW, M8X16MM	4
25	200370019	WASHER LOC INT M8	6

● RECOMMENDED STOCK ITEMS

REF	PART #	DESCRIPTION	QTY.
26	582078	PLATE, CONSOLE SLIDE, 20" SCRUB	1
27	630447	WASHER, NYLON, 12.7, 25.4, 0.8	4
28	630095	BEARING, FLNG .38" .50" .25"LG	4
29	200031488	SCREW, M8X20MM	2
30	630079	BRACKET, MTG, LIMIT SWITCH	1
31	630128	PLATE, PMC, HEAT SINK	1
32	630093	HANDLEBAR, .88OD 15.5LG	1
33	603372	●ASSEMBLY, POT. W/DECAL	1
34	630099	GEAR, 28T, 24P	1
35	630104	SPEED CONTROL, PMC BOARD, 55 AMP	1
36	630113	CONDUIT, CONVOLUTED	1
37	140322	CLAMP, VAC HOSE	1
38	578403000	SCREW, M3X20MM	2
39	630114	SCREW, M4X8MM	2
40	200301012	WASHER, FLAT, 3.2MM	2
41	069760582	WASHER, NYLON, 23 ID, 34 OD	2
42	579211	NUT, M3	2
43	603008	●CONTACTOR, 24VDC, 100A	1
44	140552	NUT, 10-24 NYLOCK	2
45	069762056	WASHER, PLAIN #10	2
46	15858.12	SCREW, 10-24X3/4	2
47	601085000	DECAL, PMC CONNECTION	1
48	611440	DECAL, FUSE SPEC	1
49	140027	WASHER, FLAT 5/16	2
50	630306	SCREW, M8X16MM	2

CONSOLE PANEL GROUP



CONSOLE PANEL GROUP

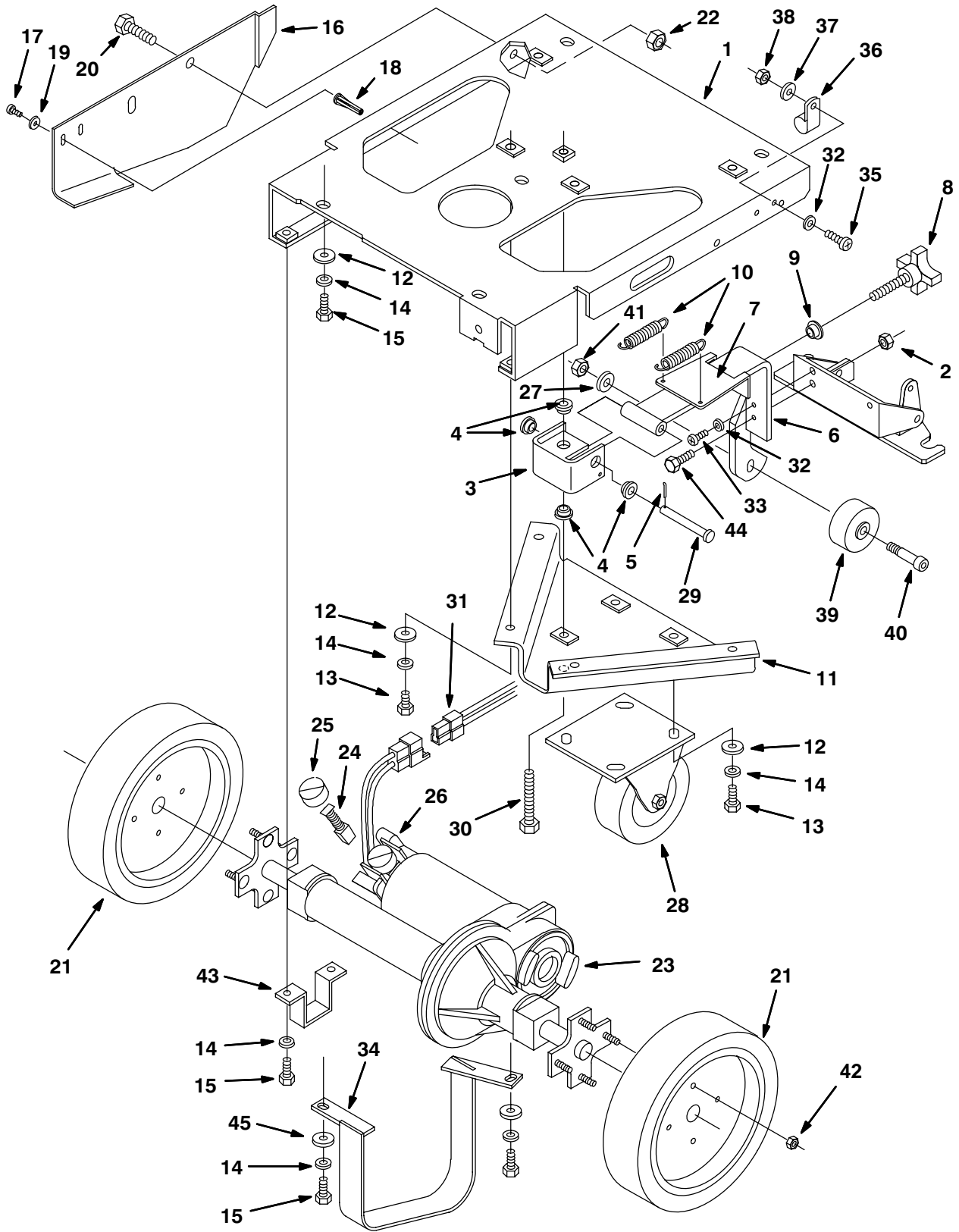
REF	PART #	DESCRIPTION	QTY.
1	602477	PLATE, SWITCH	1
2	630422	DECAL, BATT CHARGE	1
3	140000	WASHER, FLAT 1/4"	2
4	578244000	WASHER, LOC INT. M6	3
5	606404	●ASM, DIODE W/RING TERMINALS	1
6	069762115	SCREW, 1/4-20X1/2	1
7	578427	STANDOFF, TERMINAL	1
8	605905	●SOLENOID, 24V	1
9	601091	●FUSE, 2AMP 3AG FAST BLOW	1
10	578418	HOLDER, FUSE	1
11	630241	DECAL, CIRCUIT BREAKERS	1
12	630243	DECAL, GAUGE/SWITCH PANEL	1
13	20361	●CIRCUIT BREAKER, 15A	1
14	605201	●CIRCUIT BREAKER, 17A	1
15	130756	●CIRCUIT BREAKER, 35A DC	1
16	630102	●CIRCUIT BREAKER, 7A	1
17	630090	●GAUGE, BRUSH PRESSURE	1

REF	PART #	DESCRIPTION	QTY.
18	630091	●METER, BATTERY, 24VDC	1
19	630419	●SWITCH, ROCKER, SPST, 24VDC, GREEN	2
20	578720	●SPLASH GUARD, ROCKER SWITCH	2
21	607002	PLATE, COVER	1
22	200070340	SCREW, M4X.7X8	2
23	200160014	NUT, M4	2
24	630453	GASKET, CONSOLE 143MM	2
25	630119	GASKET, CONSOLE 3.1 X 8.0 X 420	2
26	140023	WASHER, #8 INT	8
27	200070340	SCREW, PAN HD, M4 X 8, ZP	8
28	630265	KNOB, SPEED LIMIT	1
29	14501	NUT, 1/4-20	2
30	200301014	WASHER, FLAT, 4.3,10.0, 1.0	8
31	630133	●RESISTOR, 0-20K, SPEED CONTROL	1
32	611440	DECAL, FUSE SPEC.	1
N/S	607789	HARNESS, MAIN W/WATERPROOF	1

● RECOMMENDED STOCK ITEMS

N/S = NOT SHOWN

MAIN FRAME GROUP



MAIN FRAME GROUP

REF	PART #	DESCRIPTION	QTY.
1	630131	FRAME, 20"	1
2	200160017	NUT, M8	1
3	630045	BRACKET, LIFT, SQUEEGEE	1
4	630095	BEARING, FLANGE	4
5	140630	PIN, COTTER, 3/32X3/4	1
6	630044	ARM, PIVOT, SQUEEGEE	1
7	630043	BRACKET, SPRING SLIDE	1
8	630046	KNOB, .38-24X2" LG STUD	1
9	630292	BEARING, KNOB, SQ. ARM	1
10	630042	SPRING, EXT	2
11	630003	FRAME, MTG, CASTER	1
12	14880.5	WASHER, FLAT 5/16"	17
13	200031486	SCREW, M8X1.25X16	12
14	200370019	WASHER, LOC INT M8	19
15	200031488	SCREW, M8X20MM	11
16	630307	BRACKET, SAFETY & LIMIT	1
17	590137	SCREW, #6-32X.38"	2
18	578329000	SCREW, ANCHOR	2
19	140032	WASHER, FLAT, #6	2
20	140277	SCREW, M10X1.5X20	1
21	640013	●WHEEL, NEOPRENE SOLID	2
	630215	●WHEEL, AIR FILLED	2
	600352	●WHEEL, FOAM FILLED	2
	606754	●KIT, WHEELS, NEOPRENE SOLID	1
	604357	●KIT, WHEELS, AIR FILLED	1
	604259	●KIT, WHEELS, FOAM FILLED	1

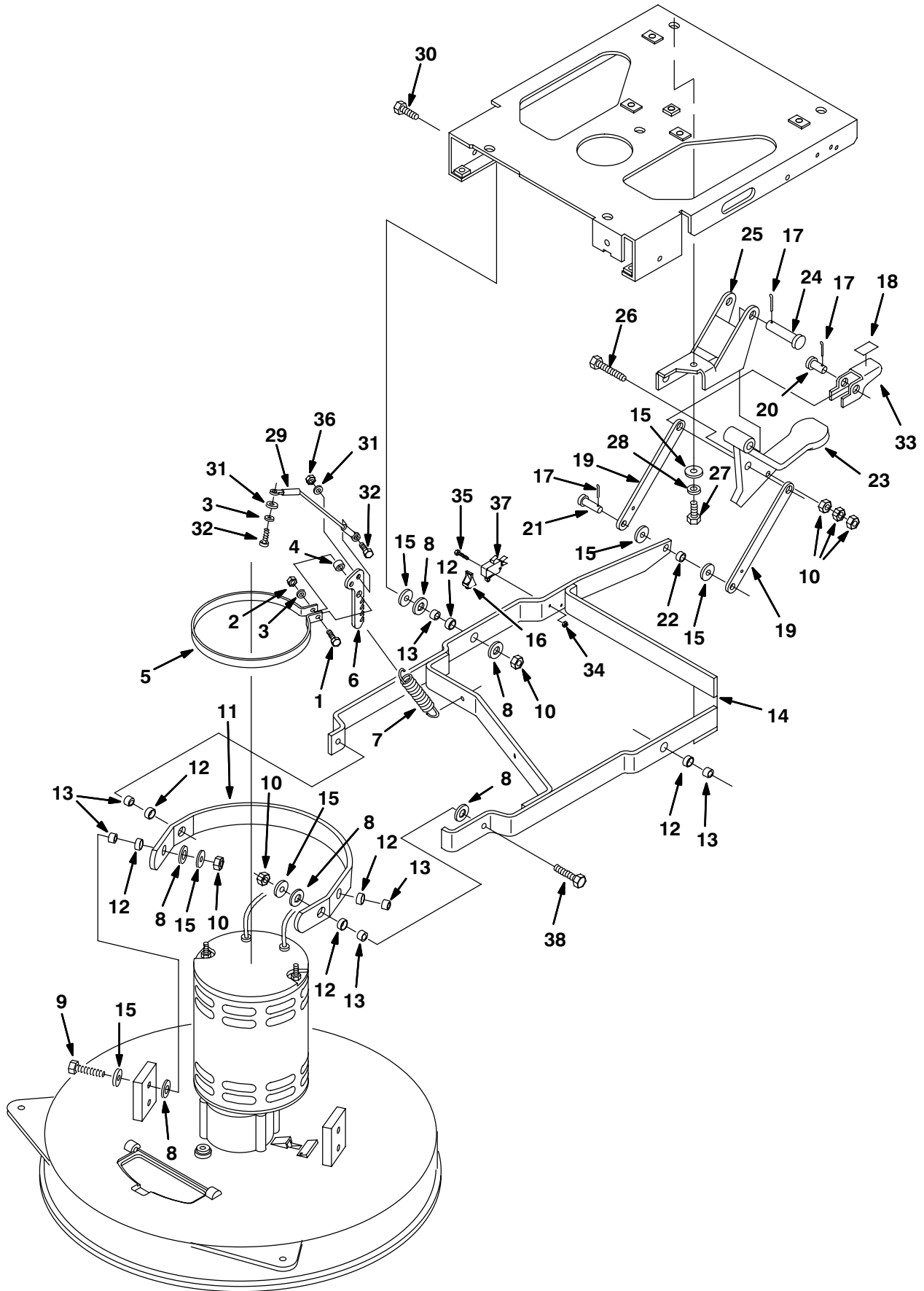
REF	PART #	DESCRIPTION	QTY.
22	200160018	NUT, HXLOCNYLN M10 X 1.5	1
∇23	630126	TRANSAXLE, 20", .50 HP	1
▲24	630504	●BRUSH, CARBON MOTOR TRANSAXLE	2
▲25	630503	●CAP, TRANSAXLE BRUSH	2
▲26	600606	●ASM, END BELL, TRANSAXLE MOTOR FR	1
27	200651019	WASHER, FLAT 8.4MM	1
28	630002	●CASTER, 4" DIA.	1
29	630047	PIN, CLEVIS .38 X 2.75	1
30	630345	SCREW, SHOULDER BOLT, .375 X 2.00	1
31	606500	HARNESS, WIRE MAIN	1
32	578244000	WASHER, LOC INT M6	2
33	578187000	SCREW, M6X12MM	1
34	601163	GUARD, MOTOR CAP	1
35	608322	SCREW, M6X1.0X16	1
36	630428	CLAMP, CABLE	1
37	579210	WASHER, M6.4X18X1.5	1
38	579029	NUT, HEX STD, M6	1
39	630477	WHEEL, SQUEEGEE SUPPORT	1
40	630478	SCREW, 3/8"X1.0	1
41	601108000	NUT, HEX LOCK, .31"-18	1
42	630268	NUT, HEX LOCK, .25"-28	8
43	630127	BRACKET, TRANSAXLE MT.	2
44	200031488	SCREW, M8X20MM	4
45	14880.5	WASHER, FLAT 5/16	2

∇ ASSEMBLY

▲ INCLUDED IN ASSEMBLY

● RECOMMENDED STOCK ITEMS

SCRUB HEAD LIFT GROUP



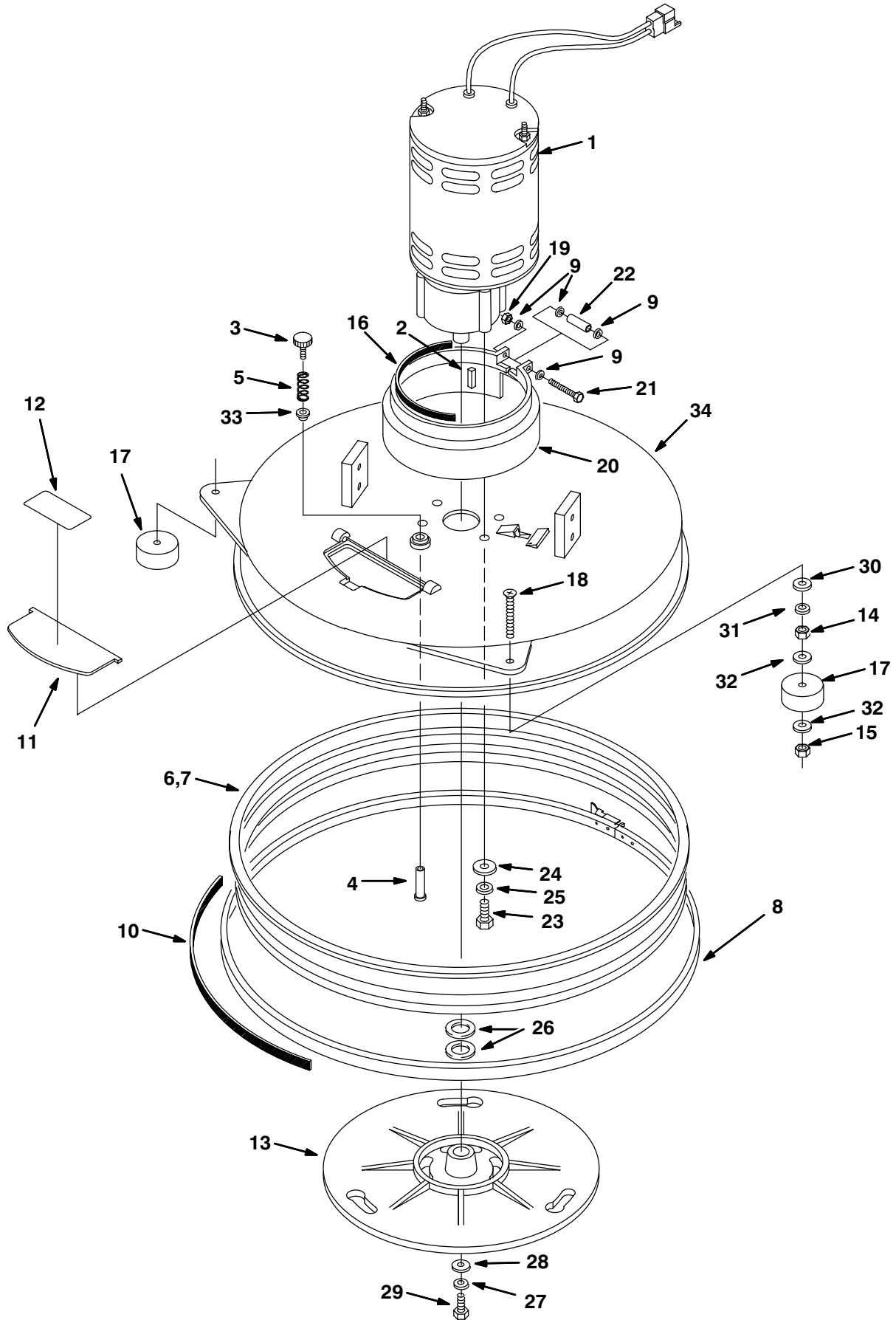
SCRUB HEAD LIFT GROUP

REF	PART #	DESCRIPTION	QTY.
1	200031444	SCREW, M6X1.0X30	1
2	579029	NUT, M6X1.0	1
3	578244000	WASHER, M6.4X10 LOCK	2
4	140154	SPACER, .25X.38X.31	1
5	630050	BAND, MOTOR SPRING MOUNT	1
6	630377	BRACKET, SCRUB HEAD LEVEL	1
7	630208	SPRING, MOTOR CNTR TORQUE	1
8	630447	WASHER, M12.7X25.4X.8 NY-LON	12
9	200031496	SCREW, M8X1.25X35	2
10	200160017	NUT, M8 HEXLOCK	9
11	630177	BRACKET, MOTOR PIVOT	1
12	630188	BEARING .50"IDX.25LG JOURNAL	6
13	630189	SLEEVE, BRG 12.7ODX8.7ID 08	6
14	630176	HEAD LIFT, TRANSAXLE	1
15	14880.5	WASHER, 5/16 FLAT	11
16	600372	BOOT, SWITCH	1
17	578421	PIN, COTTER 1/8X1"	3
18	600721	PAD, NON SLIP SURFACING	1
19	630182	ARM, LINK, HEADLIFT	2

REF	PART #	DESCRIPTION	QTY.
20	600720	PIN, CLEVIS 1/2DIAX1-19/64	1
21	630258	PIN, CLEVIS 3/8DIAX1"	1
22	630259	BEARING, 9.5ID,12.7OD,6.4LG	1
23	630181	PEDAL, FOOT HEADLIFT	1
24	630448	PIN, CLEVIS 1/2DIAX2-1/4	1
25	630206	BRACKET, HEADLIFT ASM	1
26	200032503	SCREW, M8X1.25X60	1
27	200031488	SCREW, M8X1.25X20	1
28	200370019	WASHER, M8.4 LOCK	1
29	630384	CABLE, HEAD LIFT	1
30	200607491	SCREW, M8X1.25X25	2
31	140012	WASHER, 3/16 FLAT	2
32	200031436	SCREW, M6X1.0X16	2
33	600719	LATCH, HEAD RELEASE	1
34	579211	NUT, M3 HEXLOCK	2
35	579213	SCREW, M3X.5X20	2
36	579028	NUT, M6 HEXLOCK	1
37	600438	●KIT, SWITCH REPLACEMENT	1
38	200031494	SCREW, M8X1.25X30	2

● RECOMMENDED STOCK ITEMS

SCRUB BRUSH DRIVE GROUP



SCRUB BRUSH DRIVE GROUP

REF	PART #	DESCRIPTION	QTY.
∇1	605054	●MOTOR, ELE, 24VDC .75HP 270RPM (FOR BREAKDOWN SEE PAGE 97)	1
▲2	630454	KEY, SQUARE .25X1.12 LG	1
3	603012	KNOB, HUB LOCK	1
4	630308	PIN, HEAD STOP	1
5	630310	SPRING, HEAD STOP	1
6	630027	●SKIRT, SCRBR HEAD, STD.	1
7	630506	●SKIRT, SCRBR HEAD, HEAVY DUTY	1
8	630049	BAND ASSY, SKIRT STD.	1
	602045000	BAND, SKIRT HEAVY DUTY	1.6m
	602044000	CLASP, BAND HEAVY DUTY	1
9	140012	WASHER, FLAT 3/16	4
10	630613	SKID STRIP, 1.524M/60" STANDARD SKIRT	1
∇11	630603	KIT, BRUSH DOOR W/DECAL	1
▲12	578769	DECAL, MOVING PARTS	1
13	630039	HUB, DRIVE, BRUSH, 20", MACHND	1
14	200101017	NUT, M8X1.25 HEX JAM	2
15	200160017	NUT, M8 HEXLCK	2

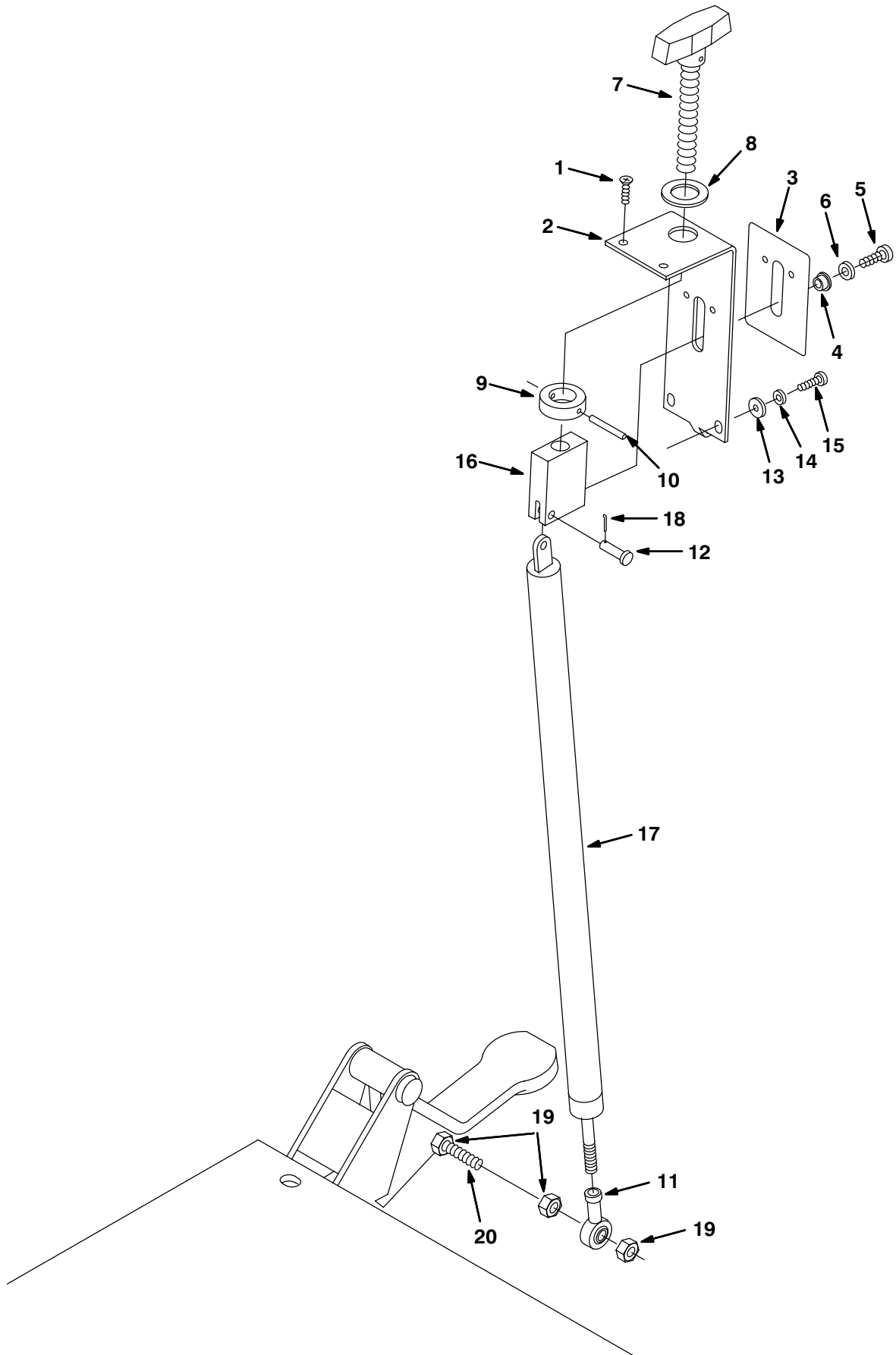
REF	PART #	DESCRIPTION	QTY.
16	630475	GASKET, WATER DEFLEC- TOR	1
17	579184	WHEEL, RUBBER, D 51X2W	2
18	630430	SCREW, M8X1.25X50MM	2
19	579028	NUT, HXLCK M6	1
20	630213	DEFLECTOR, WATER	1
21	578208000	SCREW, M6X1.0X55MM	1
22	630272	SPACER, .28X.38X1.3 NYLON	1
23	059650308	SCREW, 3/8-16X1.00	4
24	140028	WASHER, FLAT 3/8	4
25	140017	WASHER, SPLIT LOCK 3/8"	4
26	069760023	WASHER, FLT, .77"X1.26X.03	2
27	140015	WASHER, SPLIT LOCK 5/16"	1
28	069764631	WASHER, FLT, M8.4X25.4X4.8	1
29	140219	SCREW, 5/16-18X1	1
30	14880.5	WASHER, FLAT 5/16	2
31	200370019	WASHER, LOCK, INT., .08.4ID	2
32	630446	WASHER, NYLON, .31"	4
33	605825	SCREW, HEAD STOP PIN	1
34	630026	HEAD, SCRUBBER 20"	1

∇ ASSEMBLY

▲ INCLUDED IN ASSEMBLY

● RECOMMENDED STOCK ITEMS

SCRUB BRUSH DOWN PRESSURE GROUP



SCRUB BRUSH DOWN PRESSURE GROUP

REF	PART #	DESCRIPTION	QTY.
1	069764140	SCREW, M5X16	2
2	630197	BRACKET, DOWN PRESS.	1
3	630234	DECAL, DOWN PRESSURE	1
4	630482	BEARING, FLANGE	1
5	578187000	SCREW, M6X12	1
6	578244000	WASHER, M6	1
7	630195	KNOB, TEE, .50-13, 2-1/8"LG	1
8	630358	WASHER, NYLON .75" 1.0" .03TK	1
9	630355	COLLAR, 19.0ID 31.8OD 9.5W	1
10	630382	PIN, SPRING, .16" X 1.25"	1
11	630353	ROD-END, SHOCK	1

REF	PART #	DESCRIPTION	QTY.
12	630357	PIN, CLEVIS	1
13	200315016	WASHER, FLAT, 5.3MM, 15.0, 1.6	2
14	140018	WASHER LCK INT #10	2
15	575569000	SCR, PAN HD, PHIL, M5 X 16	2
16	630354	COUPLER, DOWN-PRESSURE SHOCK	1
17	603664	●SHOCK, DOWN PRESSURE	1
18	140630	PIN, COTTER, 3/32X3/4	1
19	200160017	NUT, M8	3
20	200032503	SCREW, M8X1.25X60	1

● RECOMMENDED STOCK ITEMS

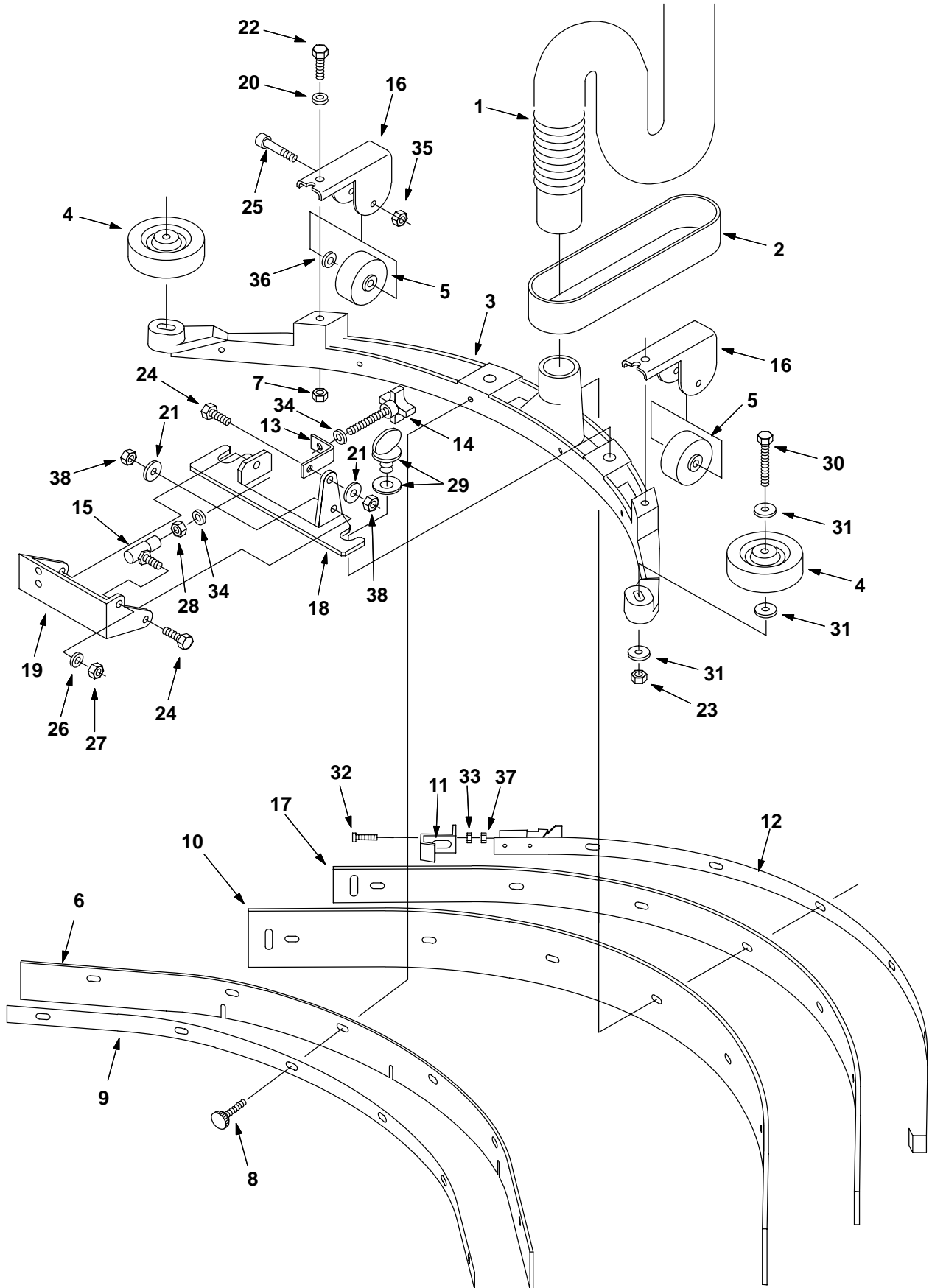
SQUEEGEE LIFT GROUP

REF	PART #	DESCRIPTION	QTY.
1	630151	ARM, LIFT, SQUEEGEE	1
2	630427	BRACKET, SQGE SHEAVE	1
3	630426	PULLEY, CABLE 2"X3/16"	1
4	630470	SCREW, 5/16X3/8X1.00	1
5	630150	BRACKET, ARM, SQGE LIFT	1
6	579211	NUT, HEX LOCK, M3	4
7	579213	SCREW, M3X20MM	4
8	601127000	WASHER, FLT 3.7MM	8
9	600438	●KIT, SWITCH REPLACEMENT	2
10	630207	BUSHING, SQUEEGEE LIFT BRACKET	1
11	630262	PIN, ROLL .09DX.75LG	1
12	069760082	WASHER FLT .25 HARD	1
13	200031496	SCREW, M8X1.25X35	1
14	200370019	WASHER LCK INT M8	1
15	630160	BUSHING, ARM, PIVOT	1

● RECOMMENDED STOCK ITEMS

REF	PART #	DESCRIPTION	QTY.
16	630209	GRIP, SQGE LIFT	1
17	630155	BRACKET, CABLE, SQGE	1
18	630158	SPRING, EXT .36 3.00 .45	1
19	608322	SCREW, M6X1.0X16	5
20	630156	CABLE, LIFT, SQGE, 28" LG	1
21	578244000	WASHER-LOC INT. M6	5
22	621235	BUSHING, CABLE	1
23	621236000	RING, RETAINING .810 DIA	1
24	630157	BRACKET, GUIDE, CABLE	1
25	140000	WASHER, FLAT 1/4"	2
26	140510	NUT, HEX, JAM, 1/4-20	2
27	069762098	SCREW, M6X16MM,	1
28	573268	SCREW, .25 20 X .75", SS	1
29	600372	BOOT, LIMIT SWITCH	1
30	200640017	NUT, M8 HEX	1

SQUEEGEE GROUP



SQUEEGEE GROUP

REF	PART #	DESCRIPTION	QTY.
▽	630806	ASSY, SQUEEGEE	1
1	630339	●HOSE ASSY, SQGE	1
2	630333	STRAP, SQGE HOSE	1
▲3	630311	SQUEEGEE, CURVED	1
▲4	630450	WHEEL, RUBBER	2
▲5	579184	●WHEEL, HEAD, BRUSH	2
▲6	630291	●BLADE, FRONT SEMI	1
6	600207	●BLADE, FRONT URETHANE	1
	630288	●BLADE, FRONT LINATEX	1
▲7	200640017	NUT, HEX, M8	2
▲8	603012	KNOB, FRONT SQUEEGEE BLADE ASM	6
▲9	630313	SQUEEGEE, BAND, FRONT CURVED	1
▲10	630344	●BLADE, REAR CURVED	1
10	603511	●BLADE, REAR URETHANE	1
	610150	●BLADE, REAR LINATEX	1
▲11	610850	CLIP, SQUEEGEE BAND	1
▲12	630350	SQUEEGEE, BAND ASSY, CURVED	1
13	630279	BRACKET, PIVOT, TIP ADJUST	1
14	630281	KNOB, TIP ADJUST, SQGE	1
15	140119	JOINT, BALL, LIFT ROD	1
▲16	630314	BRACKET, SQGE BACKUP WHEEL	2
▲17	630340	BACK UP STRIP, SEMI- CURVE	1

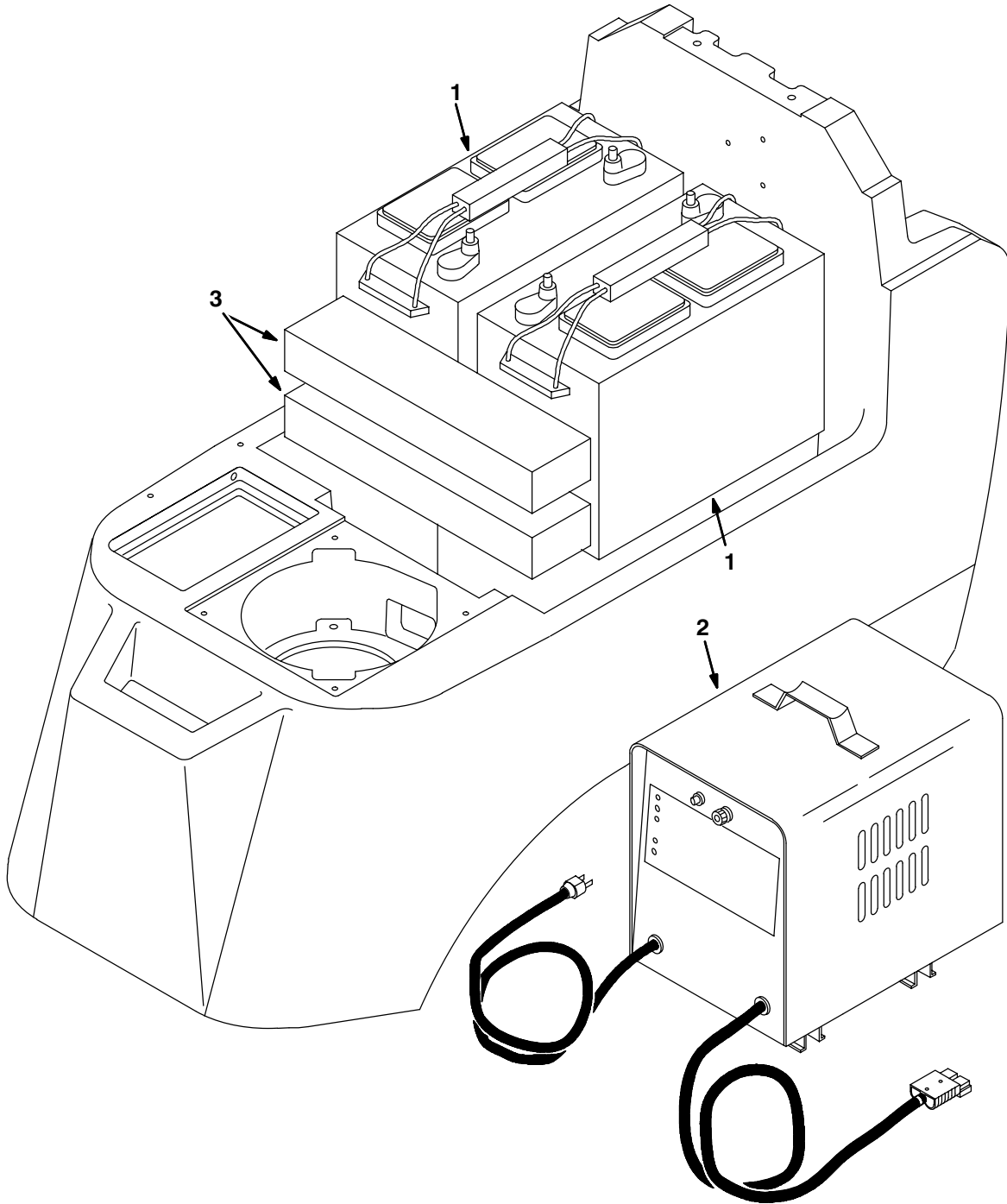
REF	PART #	DESCRIPTION	QTY.
18	630277	BRACKET, SQGE ATTACH.	1
19	630278	BRACKET, TIP ADJUST	1
▲20	200370019	WASHER LCK INT M8	2
21	200303019	WASHER, FLAT, 8.4MM	5
▲22	200031494	SCREW, M8X30MM	2
▲23	200160017	NUT, M8X1.25	2
24	200031488	SCREW, M8X1.25X20	3
▲25	630480	SCREW, SHLD., 5/16", 1-1/4"	2
26	140015	WASHER, LOCK, 5/16"	1
27	069762144	NUT, HEX, 5/16-24	1
28	630388	NUT, HEX LOCK, 5/16-24	1
▲29	630393	●SCREW, THUMB & WASHER ASM	2
▲30	630424	SCREW, M8X70MM	2
▲31	630303	WASHER, FLT 8.4 25.4 2.0	6
▲32	630389	SCREW, M5X.8X45MM	1
▲33	140283	NUT, M5X.8	1
34	630446	WASHER, NYLON, .31"	2
▲35	140501	NUT, HEX LOCK, .25-20 UNC	2
▲36	200651019	WASHER, M8.4X17X1.6 FLAT	2
▲37	140297	NUT, M5X.8	1
38	200160017	NUT, M8X1.25	3

▽ ASSEMBLY

▲ INCLUDED IN ASSEMBLY

● RECOMMENDED STOCK ITEMS

BATTERY AND CHARGER GROUP

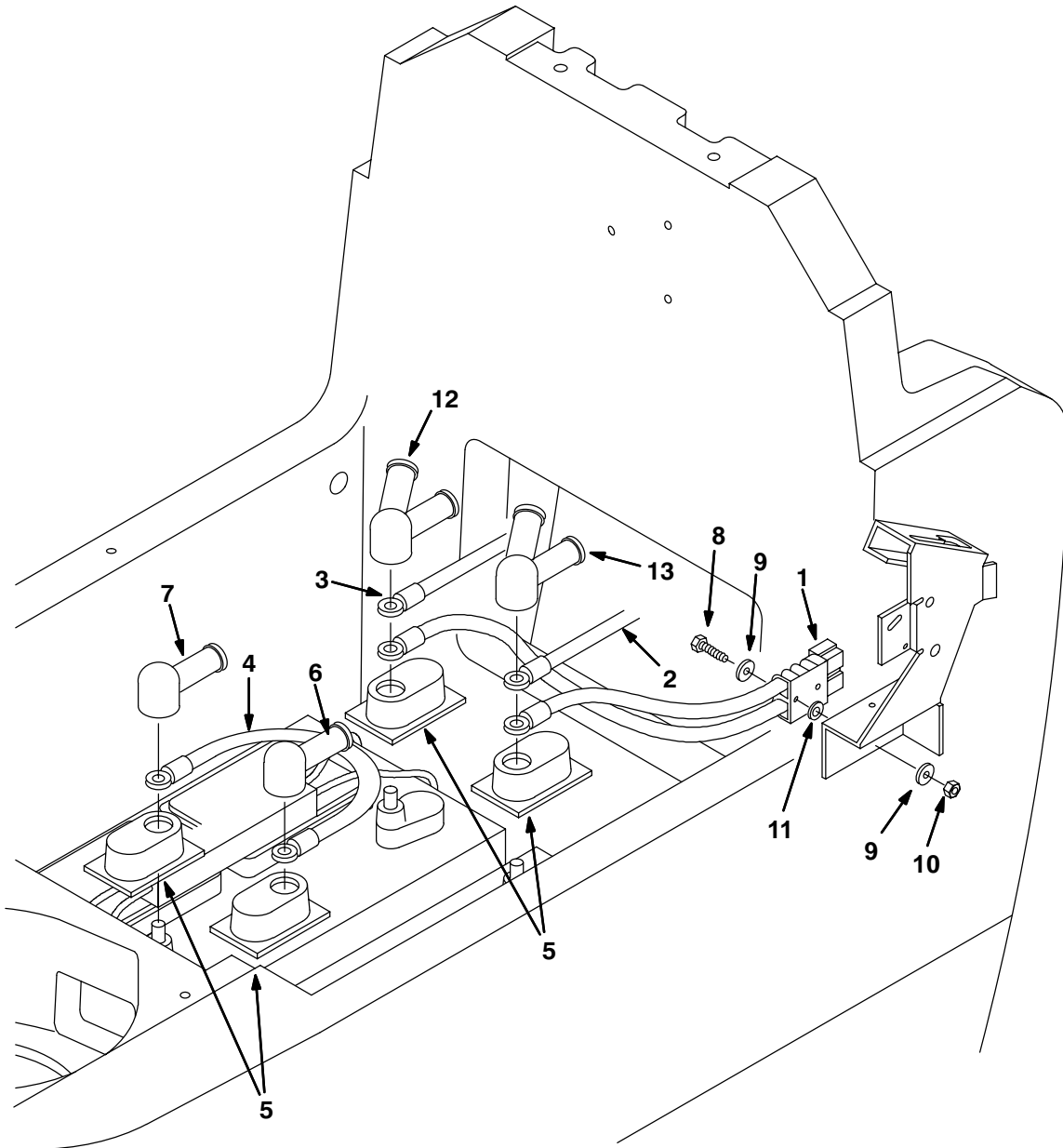


REF	PART #	DESCRIPTION	QTY.
1	130869	●BATTERY, 12V 130AH (WET)	2
	600594	BATTERY, 12V 130AH (DAMP)	2
	600394	BATTERY, 12V 215AH (WET)	2
	600595	BATTERY, 12V 215AH (DAMP)	2

● RECOMMENDED STOCK ITEMS

REF	PART #	DESCRIPTION	QTY.
2	603553	●CHARGER 24DC/12A 120V DUALMODE (FOR 130AH BATTERIES)	1
	603235	CHARGER 24DC/20A/120AC REDPLUG (FOR 215AH BATTERIES)	1
3	630375	STOP, BATTERY INSERT	2

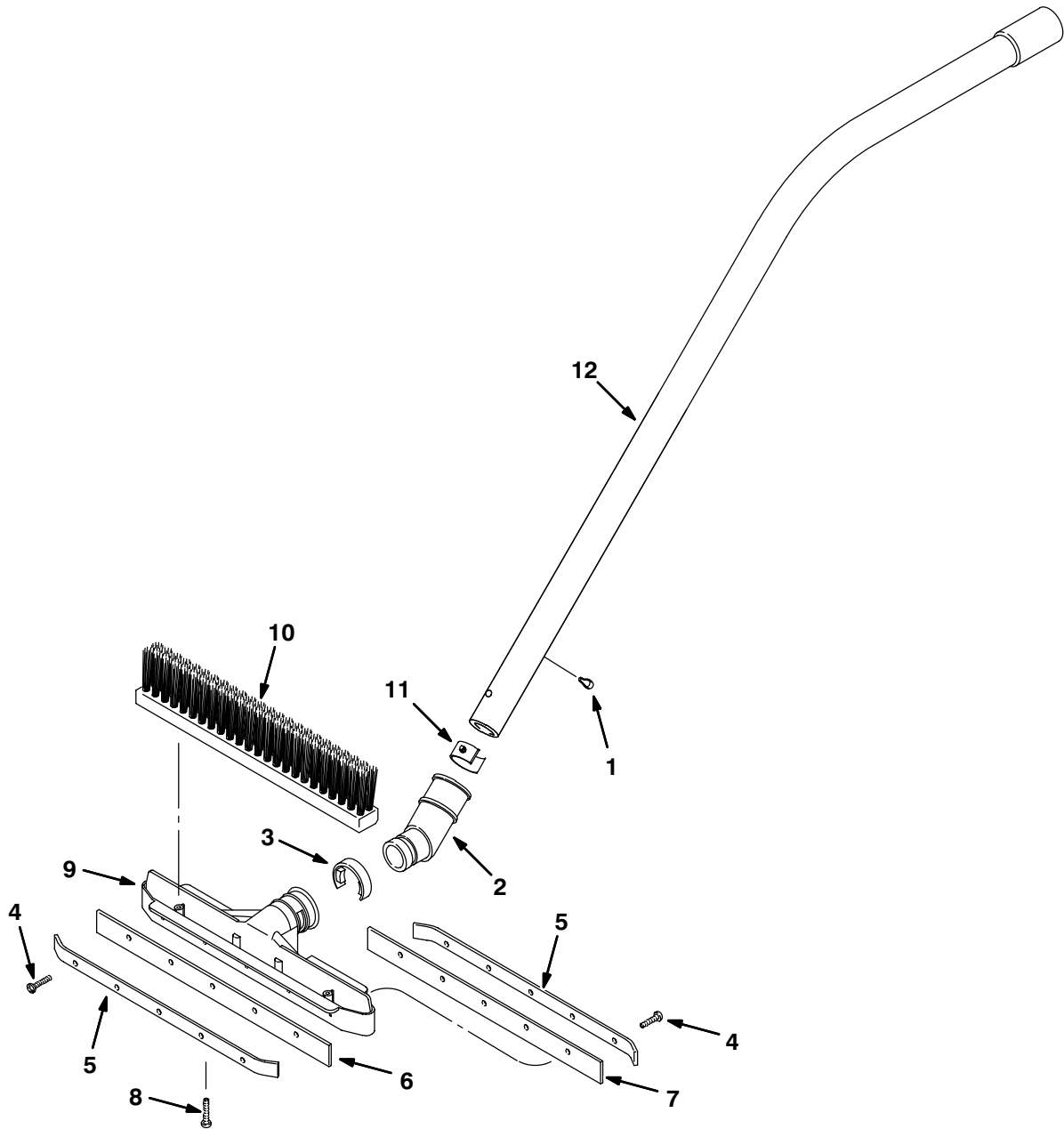
BATTERY CABLE GROUP



REF	PART #	DESCRIPTION	QTY.
1	630118	CABLE, BATTERY, W/CHARGE PLUG, RED	1
2	630110	CABLE, BATTERY, 4GA, RED	1
3	630111	CABLE, BATTERY, 4GA, BLK	1
4	603061	CABLE, BATTERY 6GA, RED	1
5	611223	COVER, TERMINAL	4
6	611221	BOOT, CABLE, BATTERY TERMINAL, BLACK	1
7	611222	BOOT, CABLE, BATTERY TERMINAL, RED	1

REF	PART #	DESCRIPTION	QTY.
8	200051274	SCREW, M3X30MM	2
9	601127000	WASHER, FLAT, 3.7 8.0, .5	4
10	579211	NUT, HEX, LOCK, M3	2
11	140019	WASHER, EXT. LOCK #6	2
12	606011	BOOT, INSULATING CABLE, RED	1
13	606010	BOOT, INSULATING CABLE, BLACK	1

NON-POWER WAND ASSEMBLY



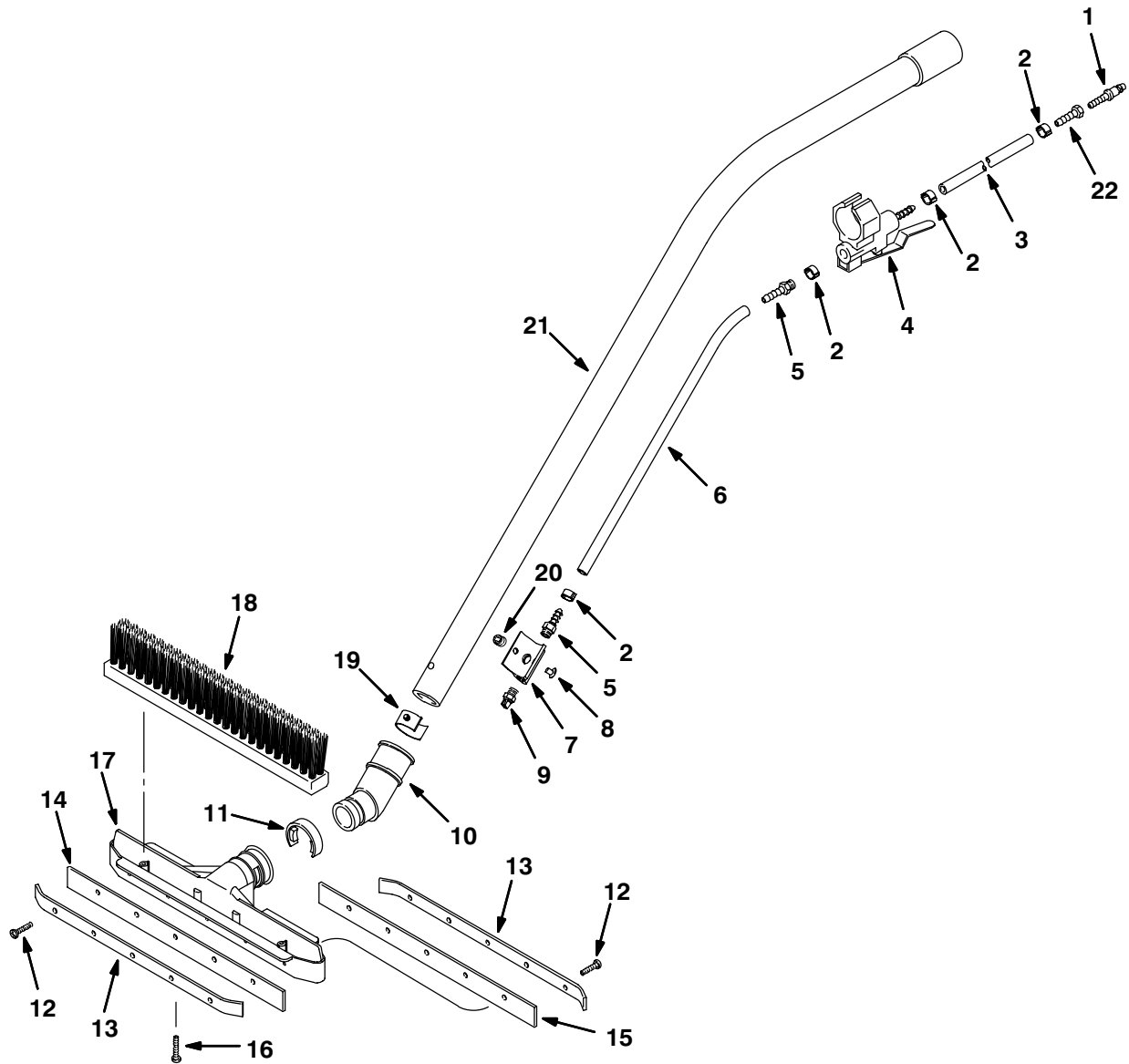
REF	PART #	DESCRIPTION	QTY.
▽	630732	WAND ASM., NON-POWER	1
▲1	630269	BUMPER, MUSHROOM	2
▲2	579113	SWIVEL, WAND ATTACHMENT	1
▲3	579132	RING, ATTACHMENT	1
▲4	579135	SCREW, SELF TD UNITED	10
▲5	579103	RETAINER, WAND BLADE	2

▽ ASSEMBLY

▲ INCLUDED IN ASSEMBLY

REF	PART #	DESCRIPTION	QTY.
▲6	579239	SQUEEGEE, BLADE, FRONT WAND	1
▲7	579230	SQUEEGEE, BLADE, REAR WAND	1
▲8	579147	SCREW, SELF-TAP, #6, 1.5"	2
▲9	579101	HEAD, WAND	1
▲10	579102	BRUSH, WAND (TWO ROW)	1
▲11	579187	CLIP, SPRING	1
▲12	579109	WAND, SINGLE BEND	1

POWER WAND ASSEMBLY



REF	PART #	DESCRIPTION	QTY.
▽	579908	WAND ASM., POWER	1
▲1	578091000	PLUG, QUICK CONNECT	1
▲2	578160000	CLAMP, HOSE	4
▲3	579168	HOSE, RELIEF	1
▲4	579107	VALVE, WATER CONT.	1
▲5	150525	HOSE BARB, 1/8" M X 1/4" H	2
▲6	579146	HOSE, WAND WATER FEED	1
▲7	579112	ADAPTOR, SPRAY NOZZLE	1
▲8	579198	RIVET, POP	2
▲9	579137	SPRAY NOZZLE	1
▲10	579113	SWIVEL, WAND ATTACHMT	1
▲11	579132	RING, ATTACHMENT	1

REF	PART #	DESCRIPTION	QTY.
▲12	579135	SCREW, SELF TD UNITED	10
▲13	579103	RETAINER, WAND BLADE	2
▲14	579239	SQUEEGEE, BLADE, FRONT WAND	1
▲15	579230	SQUEEGEE, BLADE, REAR WAND	1
▲16	579147	SCREW, SELF - TAP, #6, 1.5"	2
▲17	579101	HEAD, WAND	1
▲18	579102	BRUSH, WAND (TWO ROW)	1
▲19	579187	CLIP, SPRING	1
▲20	150208	PLUG, SCKT HD 1/8"	1
▲21	579109	WAND, SINGLE BEND 31.8	1
▲22	150510	FITTING, 1/4F X 1/4H BARB	1

▽ ASSEMBLY

▲ INCLUDED IN ASSEMBLY

DELUXE POWER WAND ASSEMBLY

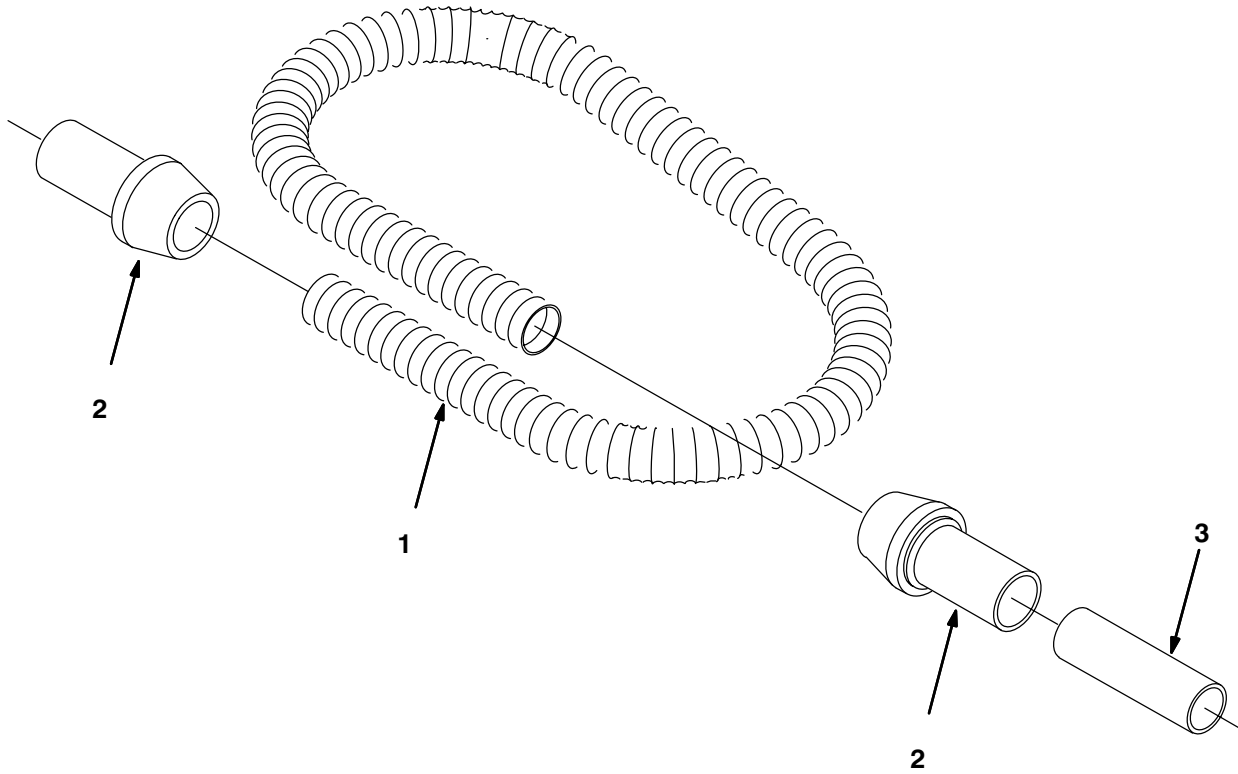
REF	PART #	DESCRIPTION	QTY.
▽	578905000	WAND ASM., DELUXE POWER	1
▲1	578060000	WAND, DOUBLE BEND	1
▲2	578077000	BRACKET, VALVE MOUNTING, WAND	1
▲3	578061000	ADAPTER, HEAD/WAND	2
▲4	578214000	FITTING, ELBOW, 0.25"HOSE, 0.12"NPT	1
▲5	579112	ADAPTER, SPRAY NOZZLE	1
▲6	579198	RIVET, POP, .156, .312, .384	2
▲7	578066000	SPRAY NOZZLE, .125" NPT, 75 DEG.	1
▲8	578073000	BRUSH, DECK, POLYPRO BLOCK	1
▲9	578063000	HEAD, WAND	1
▲10	578078000	RETAINER, SQUEEGEE WAND	2
▲11	578074000	BLADE, SQUEEGEE WAND	2
▲12	578124000	BRACKET, AXLE	1
▲13	578439	NUT, THUMB	1

REF	PART #	DESCRIPTION	QTY.
▲14	578228000	SPRING, COMPRESSION	1
▲15	578143000	M6, 40MM LG., ADJUST. STUD	1
▲16	578126000	AXLE, WAND	1
▲17	578125000	WHEEL, GUIDE, WAND	2
▲18	578123000	BRACKET, AXLE	1
▲19	578155000	HANDLE, WAND	1
▲20	578154000	BRACKET, HANDLE, WAND	1
▲21	578091000	PLUG, MALE QUICK-CONN	1
▲22	578164000	GROMMET	1
▲23	578821000	HOSE, SOLUTION, WAND	1
▲24	578161000	CLAMP, HOSE	1
▲25	578094000	1/4 HOSEBARB, 1/4NPT MALE PIPE	1
▲26	578064000	VALVE, WATER CONTROL, WAND	1
▲27	150208	PLUG, SCKT HD 1/8"	1

▽ ASSEMBLY

▲ INCLUDED IN ASSEMBLY

NON-POWER WAND HOSE ASSEMBLY



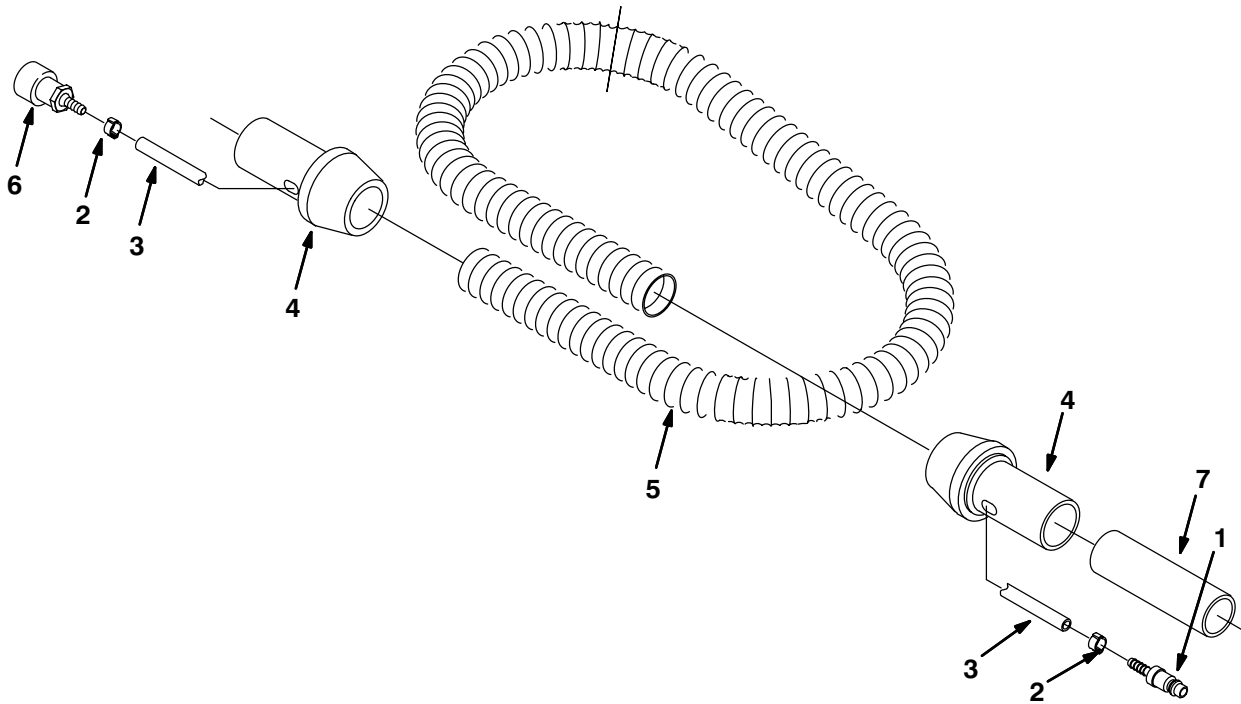
REF	PART #	DESCRIPTION	QTY.
▽	630739	HOSE ASM., NON-POWER WAND	1
▲1	578276000	HOSE, VACUUM 38.1DIA X 3.05M GRAY	1

REF	PART #	DESCRIPTION	QTY.
▲2	630449	CUFF, HOSE SOFT DIA 38.1M	2
▲3	231031	SLEEVE, 1-1/2DIA X 5"LG	1

▽ ASSEMBLY

▲ INCLUDED IN ASSEMBLY

POWER WAND HOSE ASSEMBLY



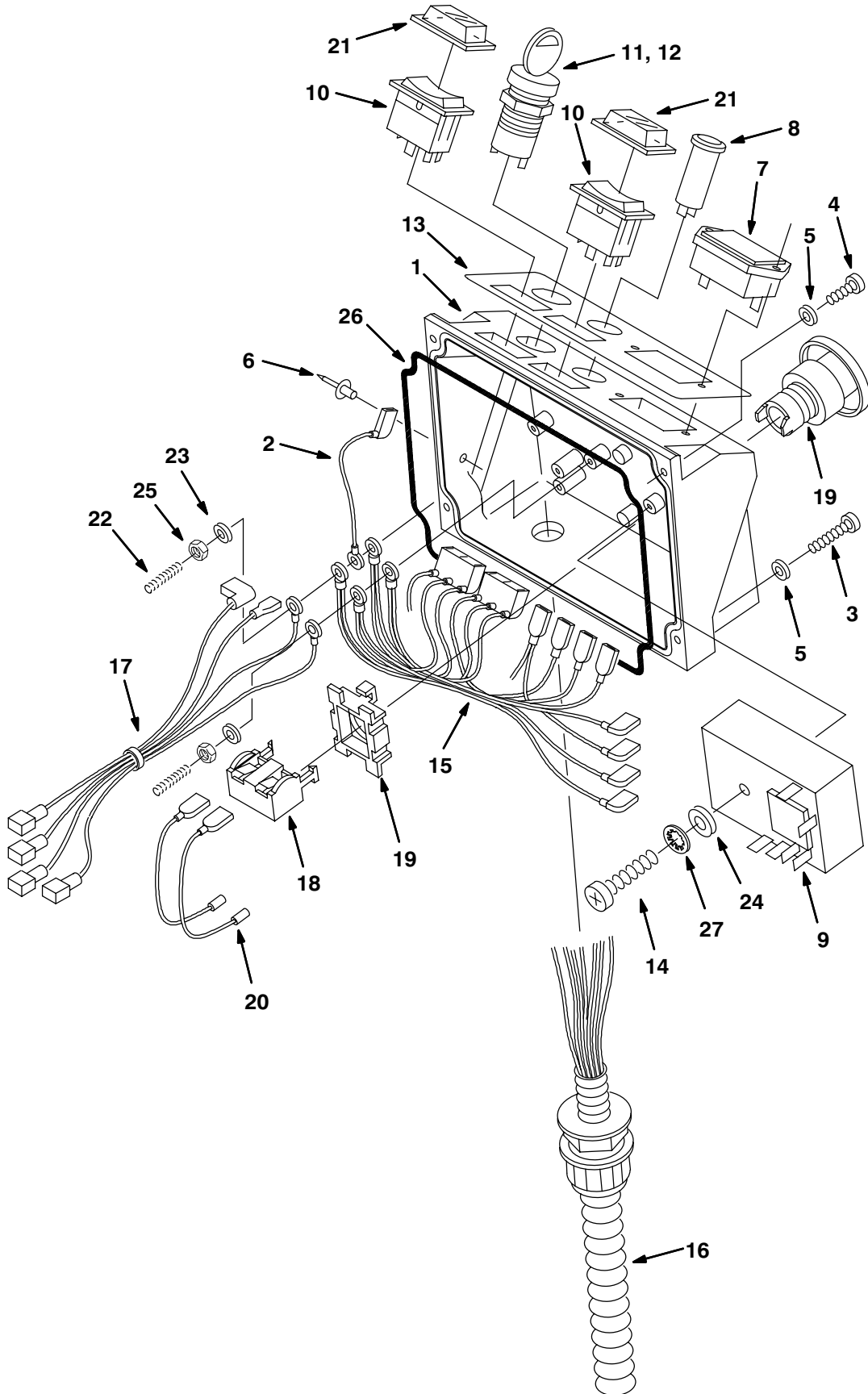
REF	PART #	DESCRIPTION	QTY.
▽	578903000	HOSE ASM., POWER WAND	1
▲1	578318000	FITTING, QUICK CONCT MALE	1
▲2	578160000	CLAMP, HOSE 11-13MM	2
▲3	578820000	HOSE, .25ID, .44OD, 4.0M LG	1

▽ ASSEMBLY

▲ INCLUDED IN ASSEMBLY

REF	PART #	DESCRIPTION	QTY.
▲4	578072000	CUFF, SWIVEL, 38.1DIA BLK	2
▲5	578276000	HOSE, VACUUM, 38.1DIA X 3.05M GRAY	1
▲6	578071000	CONNECTOR, QUICK CONCT FEMALE	1
▲7	231031	SLEEVE, 1-1/2"DIA X 5"LG	1

ACCESSORY CONSOLE GROUP

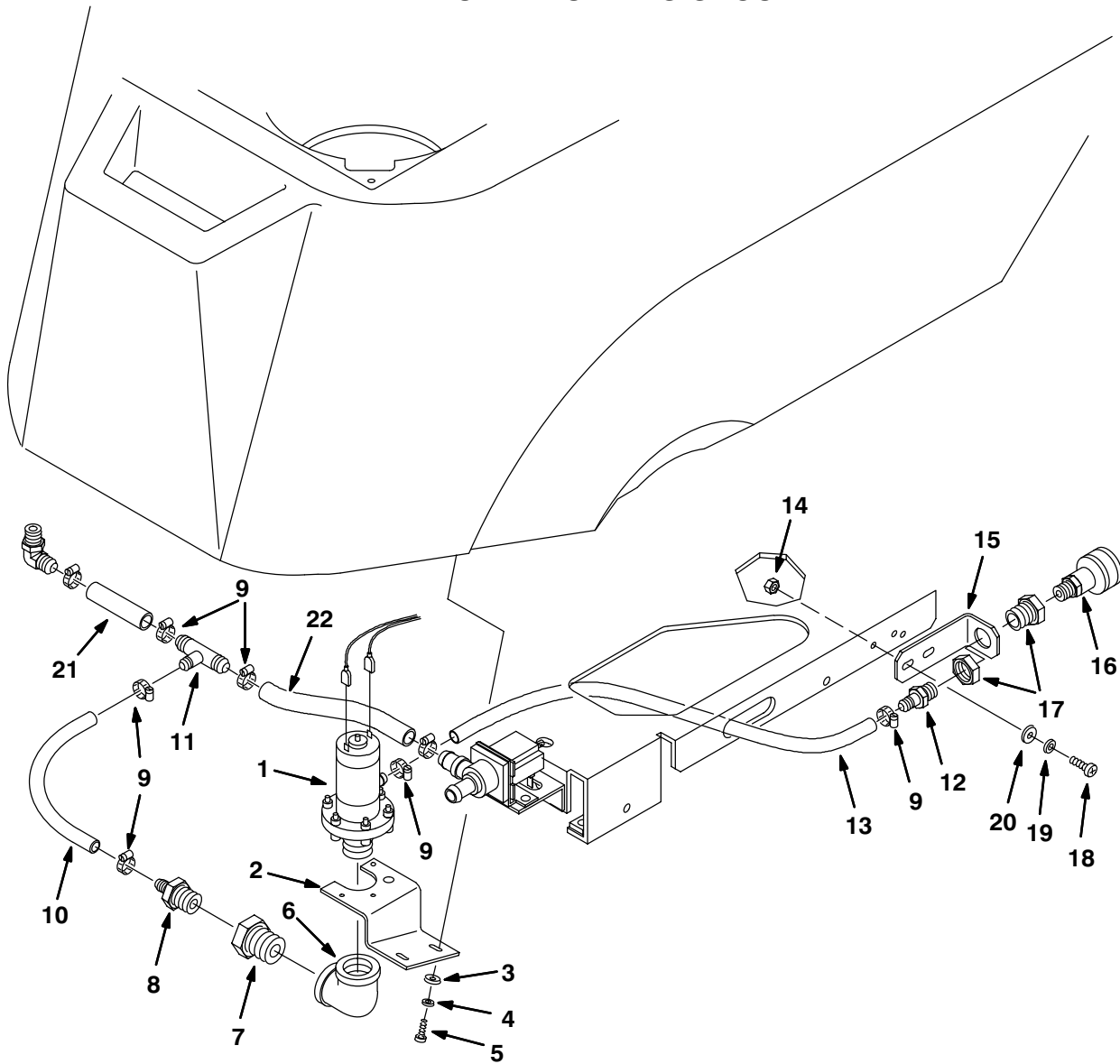


ACCESSORY CONSOLE GROUP

REF	PART #	DESCRIPTION	QTY.
	607486	KIT, KEY SWITCH/HOUR METER	1
	607487	KIT, ES [™] /KEY SWITCH/HOUR METER	1
	607488	KIT, ES [™] /KEY SWITCH/HOUR METER/WAND PUMP	1
	607489	KIT, WAND PUMP	1
	607490	KIT, KEY SWITCH/HOUR METER/WAND PUMP	1
	607491	KIT, KEY SWITCH/HOUR METER/AUTO STOP BUTTON	1
	607492	KIT, ES [™] /KEY SWITCH/HOUR METER/AUTO STOP BUTTON	1
	607493	KIT, ES [™] /WAND PUMP/KEY SWITCH/HOUR METER/AUTO STOP BUTTON	1
	607494	KIT, WAND PUMP/KEY SWITCH/HOUR METER/AUTO STOP BUTTON	1
1	630140	CONSOLE, 20" SCRUBBER	1
2	630331	WIRE ASSY, KEY SWITCH	1
3	200070354	SCREW, M4X30	2
4	140287	SCREW, M4X.7X16MM	2
5	140023	WASHER, LOC INT #8	4
6	578852	RIVET, SNAP 5.0MM	1
7	630143	METER, HOUR, 18-60VDC	1
8	630142	LIGHT, PILOT, 24V, BLUE	1
9	630145	TIMER, 24VDC, RANGE: 30SEC	1
10	630419	SWITCH, RCKR, SPST, 24VDC, GREEN	2

REF	PART #	DESCRIPTION	QTY.
11	607475	SWITCH, KEYLOCK 12-AMP	1
12	607821	KEY, REPLACEMENT, STEEL	2
13	630237	DECAL, ES/KEY/HR/LIGHT/WP (OPTION)	1
	630236	DECAL, ES/KEY/HR MTR/LIGHT (OPTION)	1
	630238	DECAL, WAND PUMP (OPTION)	1
	630239	DECAL, KEY/HR/W. PUMP (OPTION)	1
	630235	DECAL, KEY/HOUR METER (OPTION)	1
14	630334	SCREW, S-TAP, #6	1
15	606499	HARNESS, WIRE ES OPTION	1
16	630342	HARNESS, WIRE ES	1
17	606502	HARNESS, ACCESSORY	1
18	630097	SWITCH, CONTACT BLOCK	1
19	630100	SWITCH, PUSHBUTTON	1
20	630266	WIRE ASSY	1
21	578720	SPLASH GUARD, ROCKER SWITCH	2
22	601271	STUD, M4X.7X1.00	2
23	140023	WASHER, #8 INT	2
24	140026	WASHER, #6 FLAT	1
25	200102014	NUT, M4 X .7 HEX	2
26	579178	O-RING, SPONGE	1
27	140018	WASHER, #10 INT	1

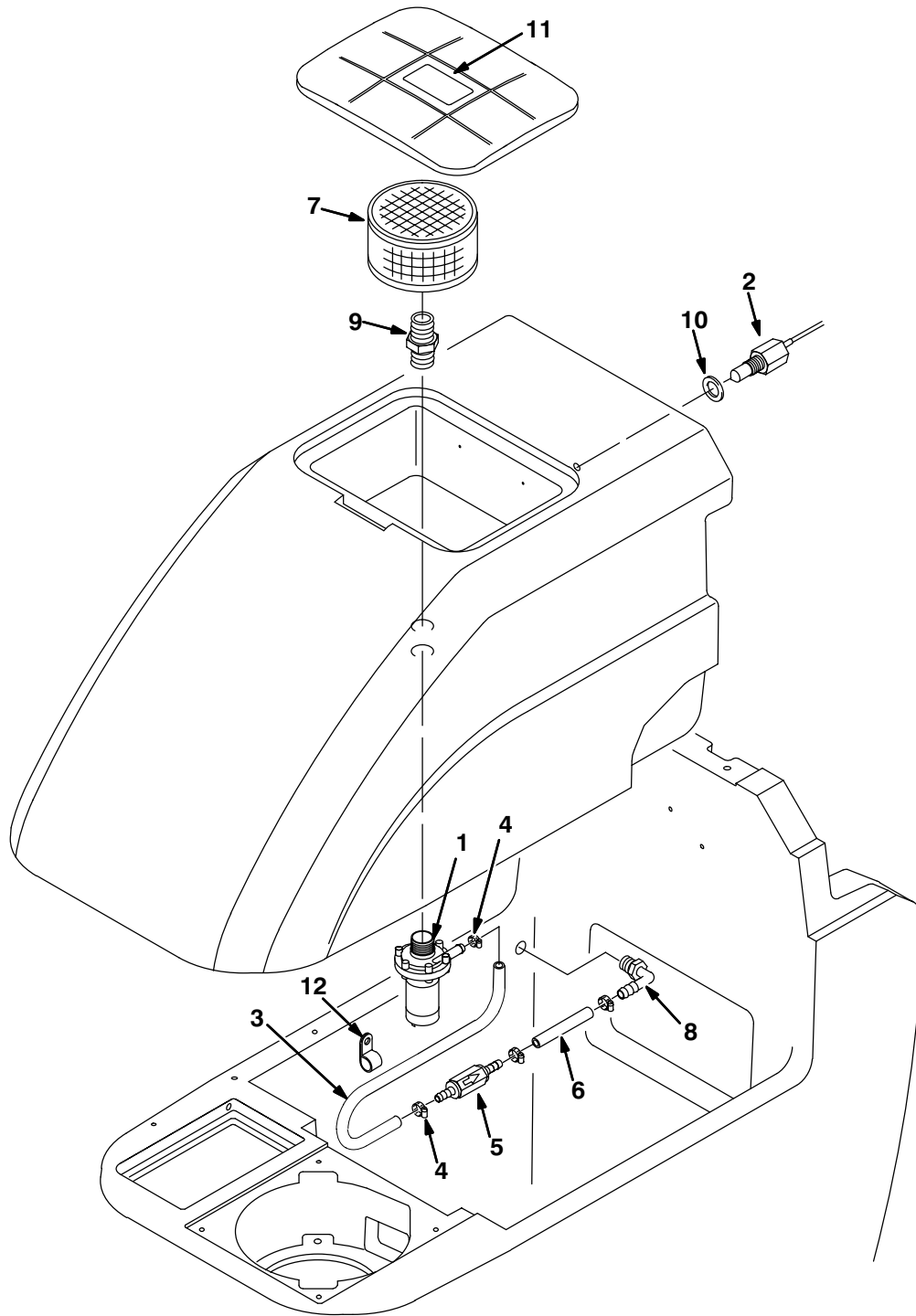
WAND PUMP PLUMBING GROUP



REF	PART #	DESCRIPTION	QTY.
1	630136	PUMP, 24VDC	1
2	630335	BRACKET, MTG, PUMP	1
3	200315016	WASHER, 5.3X15.0X1.6 FLAT	2
4	140018	WASHER, LOC INT #10	2
5	200070384	SCREW, M5X14	2
6	630251	FITTING, E90, .75 FORGED	1
7	630252	FITTING, BUSHING, 3/4MX3/8F	1
8	150538	HOSE BARB, 3/8MX3/8H	1
9	140310	CLAMP, HOSE 5/16-7/8	6
10	630417	HOSE, 165MM WAND PUMP	1
11	630372	FITTING, TEE	1

REF	PART #	DESCRIPTION	QTY.
12	150516	FITTING, BARB	1
13	630418	HOSE, 700MM	1
14	579029	NUT, M6X1.0	2
15	630256	BRACKET, MTG QUICK CON.	1
16	608292	FITTING, QUICK DISC FEMALE 3/8X1/4 NPT	1
17	150300	CONNECTOR, ANCHOR	1
18	608322	SCREW, M6X1.0X16	2
19	578244000	WASHER-LOC INT, M6	2
20	579210	WASHER, FLAT 6.L4, 18.0, 1.5	2
21	140957	HOSE, 1/2IDX2-1/2	1
22	606241	HOSE, 1/2IDX6	1

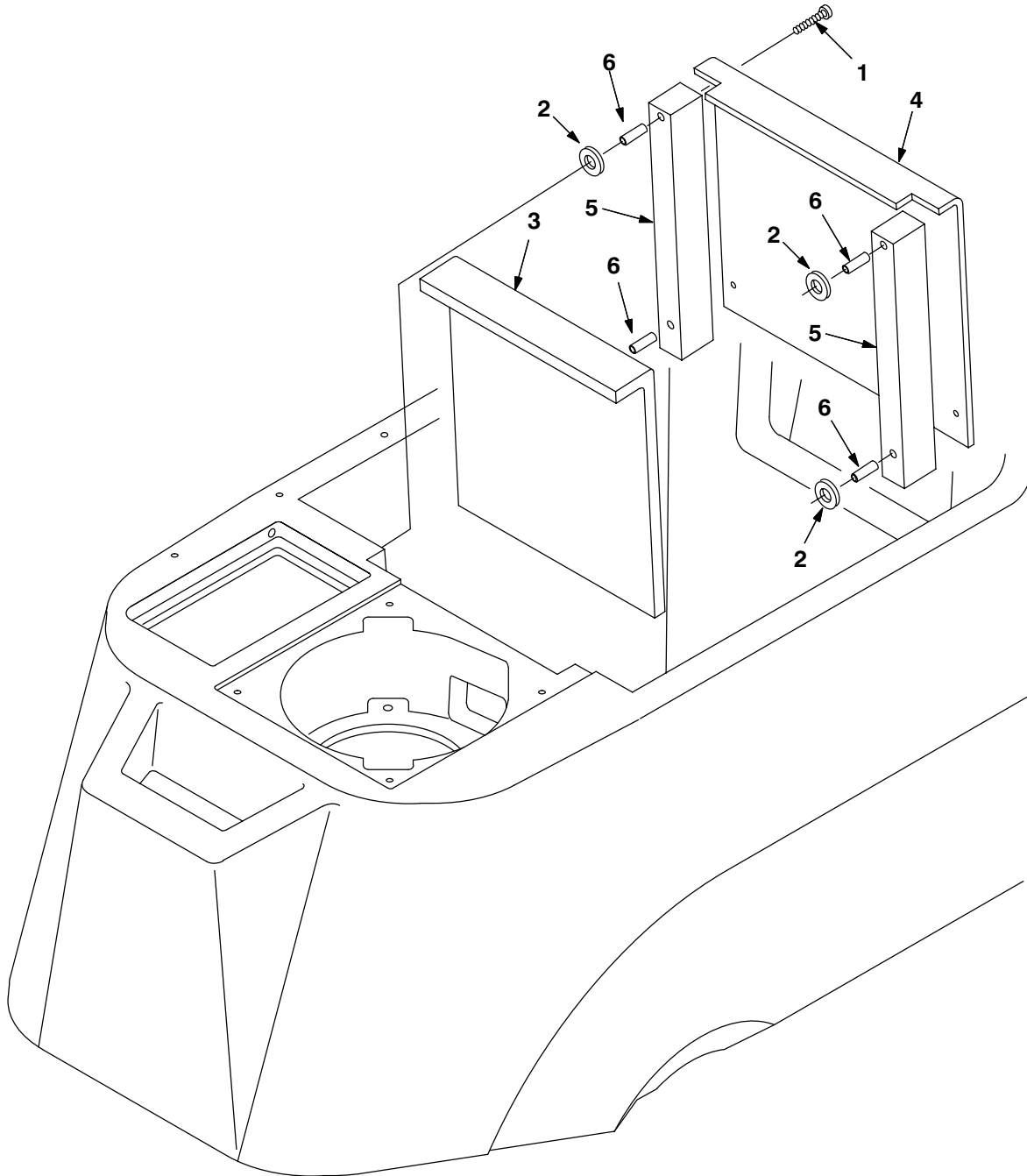
ES™ PLUMBING GROUP



REF	PART #	DESCRIPTION	QTY.
1	630136	PUMP, 24VDC	1
2	630137	SENSOR, WATER LEVEL	1
3	605282	TUBING, 5/8OD X 3/8ID X 21.75FT LG	1
4	140310	CLAMP, HOSE 5/16-7/8	4
5	210044	VALVE, CHECK	1
6	605282	TUBING, 5/8OD X 3/8ID X 5.25FT LG	1

REF	PART #	DESCRIPTION	QTY.
7	630138	FILTER, SCREEN	1
8	150412	FITTING, 3/8MX3/8H ELBOW	1
9	630385	FITTING, NIPPLE	1
10	630479	WASHER, NYLON	1
11	630440	DECAL, DO NOT REMOVE FILTER	1
12	140314	CLAMP, INSULATED	1

SOUND KIT



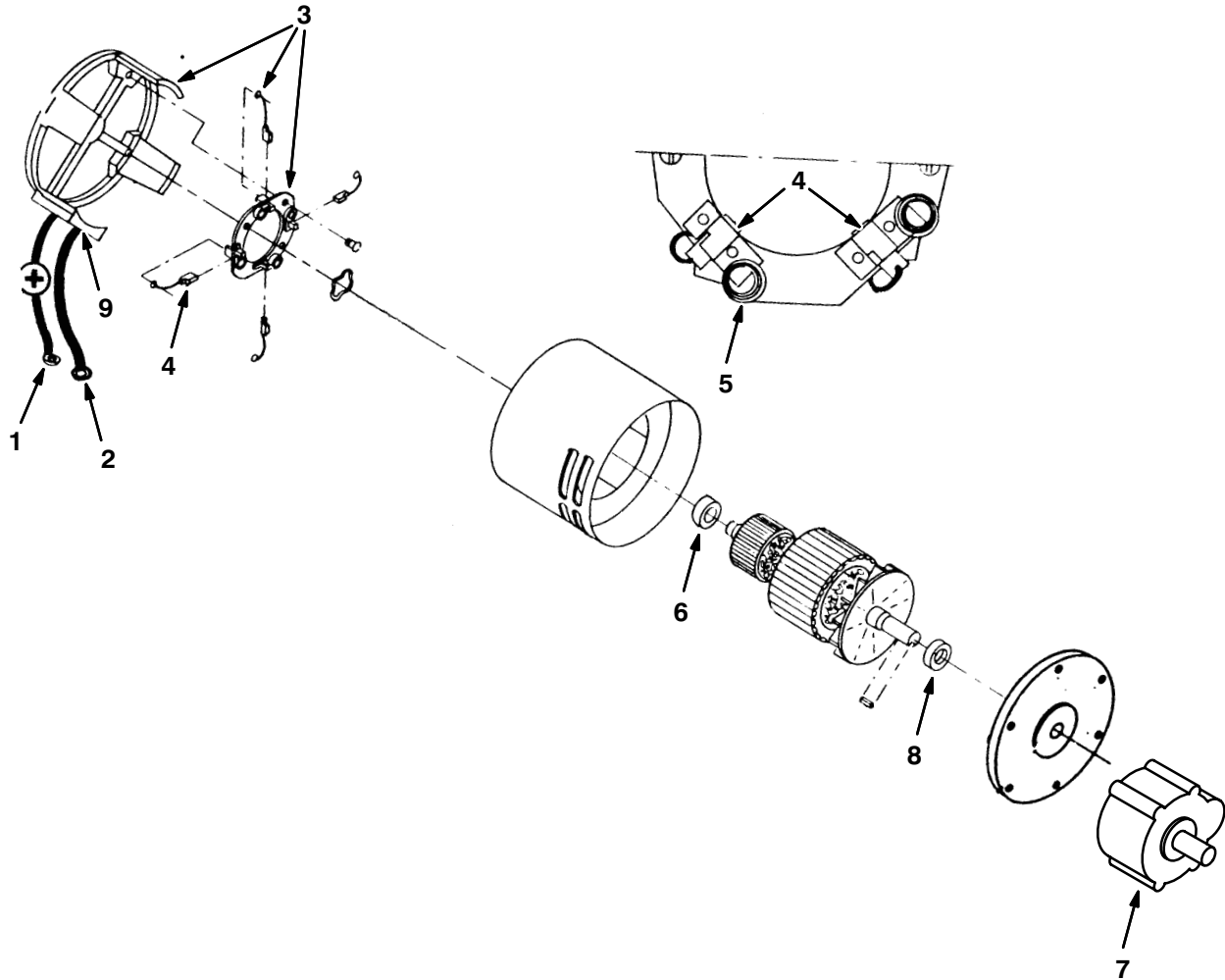
REF	PART #	DESCRIPTION	QTY.
▽	630735	KIT, SOUND LOW DB	1
▲1	600393	SCREW, M5 X 40MM FLTHD	4
▲2	200315016	WASHER, FLAT	4
▲3	630441	SOUND COVER, FOAM	1

REF	PART #	DESCRIPTION	QTY.
▲4	630395	SOUND COVER, PLATE	1
▲5	630397	SOUND SIDE, FOAM	2
▲6	630398	SPACER	4

▽ ASSEMBLY

▲ INCLUDED IN ASSEMBLY

ELECTRIC MOTOR BREAKDOWN



REF	PART #	DESCRIPTION	QTY.
▽	605054	MOTOR, .75HP 270RPM 24VDC	1
▲1	610890	LEAD ASSEMBLY (POSITIVE) W/ MARKER	1
▲2	610891	LEAD ASSEMBLY (NEGATIVE)	1
▲▽3	630608	COMMUTATOR BRACKET ASSY (INCLUDING BRUSH BOARD ASSY)	1

REF	PART #	DESCRIPTION	QTY.
▲▲4	612410000	BRUSH ASSEMBLY	4
▲▲5	602131000	BRUSH SPRING	4
▲6	602088000	BEARING	1
▲7	630609	GEARBOX ASSEMBLY	1
▲8	630607	BEARING	1
▲9	630612	STRAIN RELIEF	2

▽ ASSEMBLY

▲ INCLUDED IN ASSEMBLY