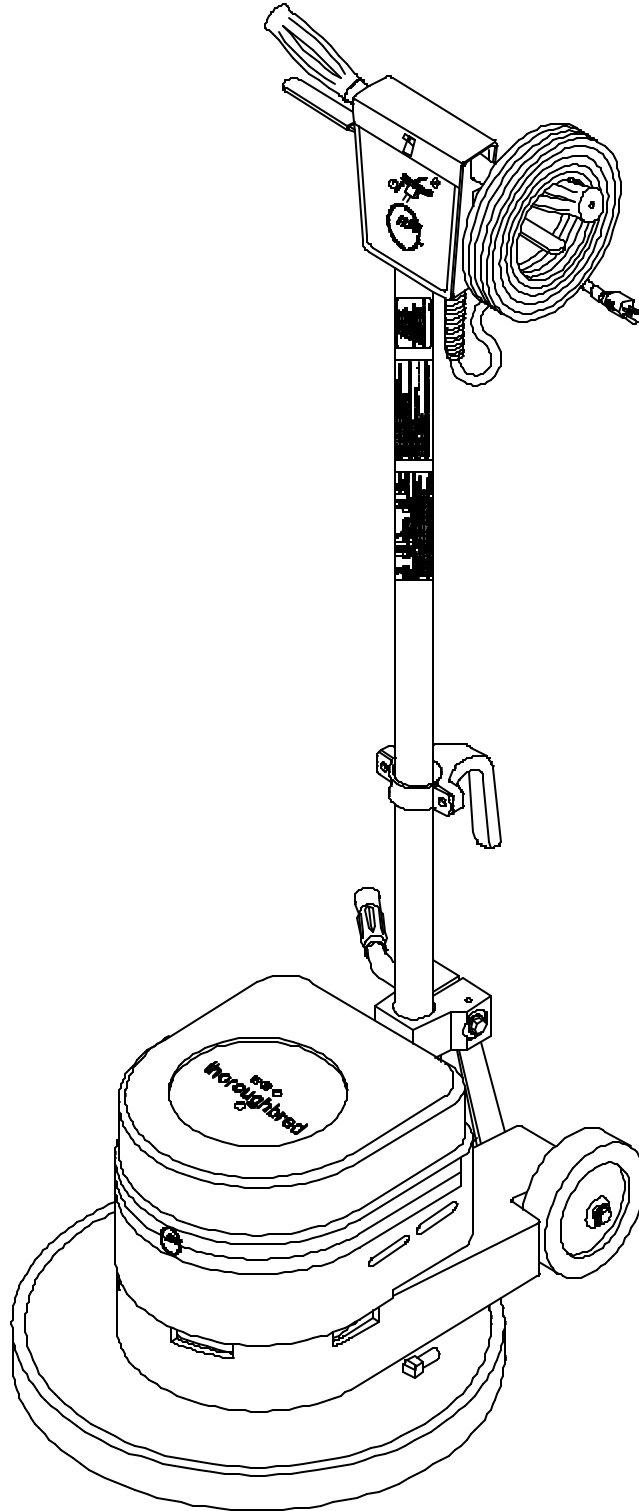


PARTS BOOK

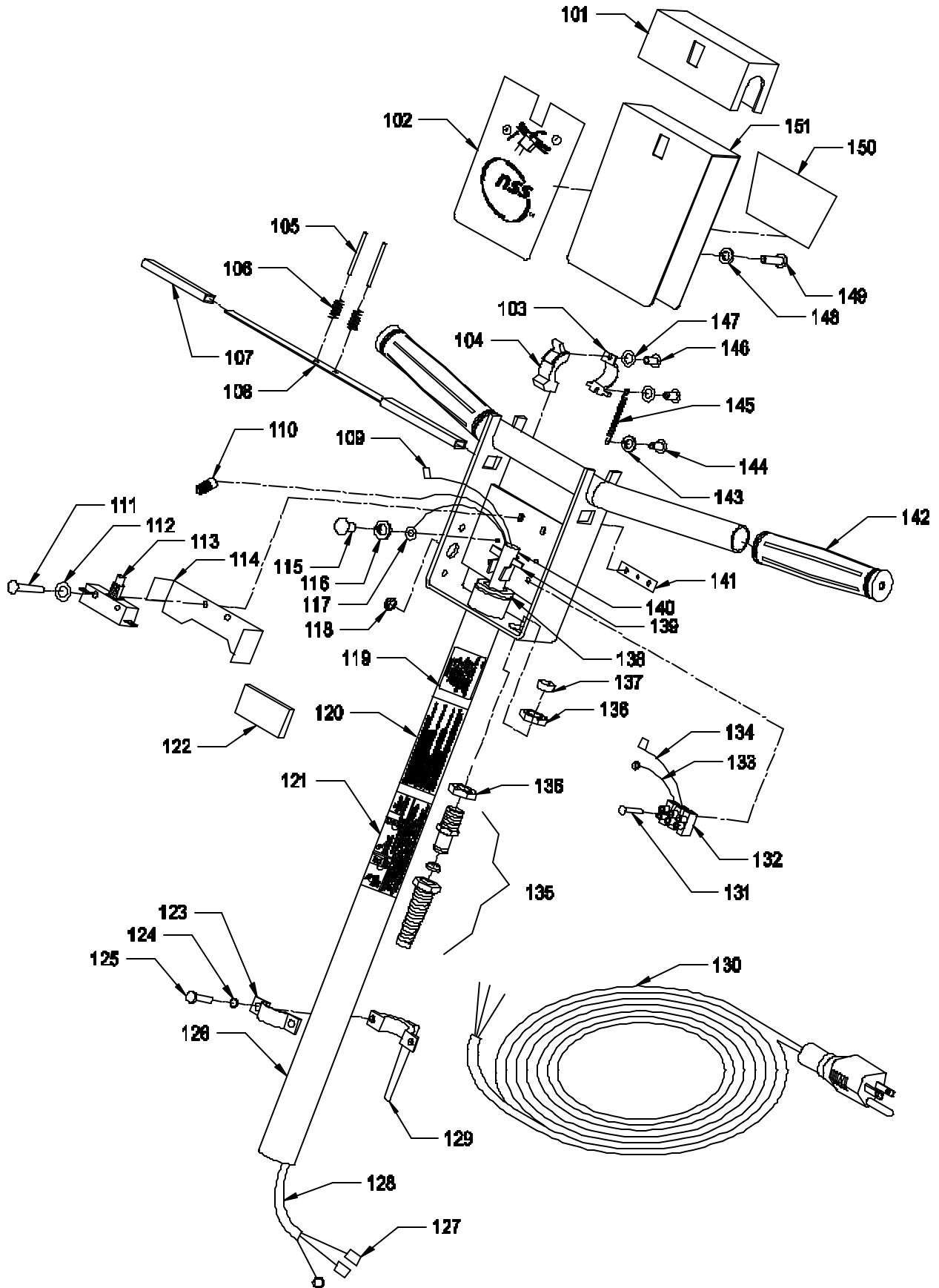
THOROUGHbred STANDARD SPEED FLOOR MACHINE



HANDLE ASSEMBLY

ITEM	PART NO.	PART DESCRIPTION	QTY.
	5090579	HANDLE ASSEMBLY - 120 VOLT - 1 H.P., 1 1/2 H.P. AND 2 H.P.	1
	5092579	HANDLE ASSEMBLY - 240 VOLT - 1 H.P. - 75' SHUKO CORD	1
	5092719	HANDLE ASSEMBLY - 240 VOLT - 1 1/2 H.P. AND 2 H.P. - 75' SHUKO	1
101	5092322	BLACK VINYL COVER	1
102	5392411	DECAL - "SWITCH BOX "	1
103	5390756	SAFETY LOCKOUT BRACKET	1
104	5390762	SAFETY LOCKOUT	1
105	9120828	1/8 X 1 3/4 ROLL PIN	2
106	5390171	SPRING	2
107	5390541	SWITCH LEVER GRIP	2
108	5390776	SWITCH LEVER	1
109	5092331	FLAG TERMINAL	1
110	5391321	WIRE NUT - ORANGE	1
111	9120100	6-32 X 1 ROUND HEAD PHILLIPS MACHINE SCREW	2
112	9120130	6 EXTERNAL STAR LOCK WASHER	2
113	5390211	SWITCH - ON - OFF	1
114	5390361	SWITCH INSULATOR	1
115	9120380	10-24 X 3/8 ROUND HEAD PHILLIPS MACHINE SCREW - GROUND	1
116	9120320	10 SPLIT LOCK WASHER	1
117	0298981	#10 RING TERMINAL	1
118	5092511	PLUG BUTTON	1
119	5392401	DECAL - "FIRE WARNING"	1
120	0190901	DECAL - "WARNING" - 120 VOLT ONLY	1
	0190921	DECAL - "ICON ADAPTOR" - 240 VOLT ONLY	1
121	0190911	DECAL - "GROUNDING" - 120 VOLT ONLY	1
122	5390511	CUSHION PAD - FOAM	1
123	5091636	CORD HOOK CLAMP	1
124	9120880	1/4 SPLIT LOCK WASHER	2
125	9121010	1/4-20 X 3/4 TRUSS HEAD PHILLIPS MACHINE SCREW	2
126	5094511	HANDLE TUBE	1
127	5092781	FULLY INSULATED FEMALE TERMINAL	2
128	5092881	HANDLE CORD	1
129	5091682	CORD HOOK	1
130	5091569	CORD WITH TERMINALS - 50 FEET - 120 VOLT	1
	0299671	SHUKO CORD - 75 FEET - 240 VOLT	1
131	9120080	6-32 X 3/4 ROUND HEAD PHILLIPS MACHINE SCREW - 240 VOLT ONLY	1
132	5391931	TERMINAL BLOCK - 240 VOLT ONLY	1
131	5391921	WIRE ASSEMBLY - GROUND WIRE - 240 VOLT ONLY	1
134	5391911	WIRE ASSEMBLY - DEAD MAN TERMINAL - 240 VOLT ONLY	1
135	5091671	STRAIN RELIEF - 120 VOLT	1
	0299531	STRAIN RELIEF - 240 VOLT	1
136	5390261	STRAIN RELIEF NUT - 120 VOLT	2
	0891131	STRAIN RELIEF NUT - 240 VOLT	1
137	5092371	CORD CLAMP - 120 VOLT	1
	0299661	CORD CLAMP - 240 VOLT	1
138	5091656	7/8 I.D. X 1 3/8 O.D. X .112 THICK FLAT WASHER	1
139	5091661	CORD CLAMP	1
140	8791070	VINYL TUBE	1
141	9120025	6-32 DOUBLE HOLE SWITCH SPEED NUT	1
142	5091611	HANDLE GRIP	2
143	9120320	10 SPLIT LOCK WASHER	1
144	9120380	10-24 X 3/8 ROUND HEAD PHILLIPS MACHINE SCREW	1
145	5092561	SAFETY LOCKOUT SPRING	1
146	9120050	6-32 X 5/16 ROUND HEAD PHILLIPS MACHINE SCREW	2
147	9120130	6 EXTERNAL STAR LOCK WASHER	2
148	9120320	10 SPLIT LOCK WASHER	2
149	9120430	10-24 X 3/4 ROUND HEAD PHILLIPS MACHINE SCREW	2
150	5392471	DECAL - "OPERATION"	1
151	5391873	METAL SWITCH BOX COVER	1

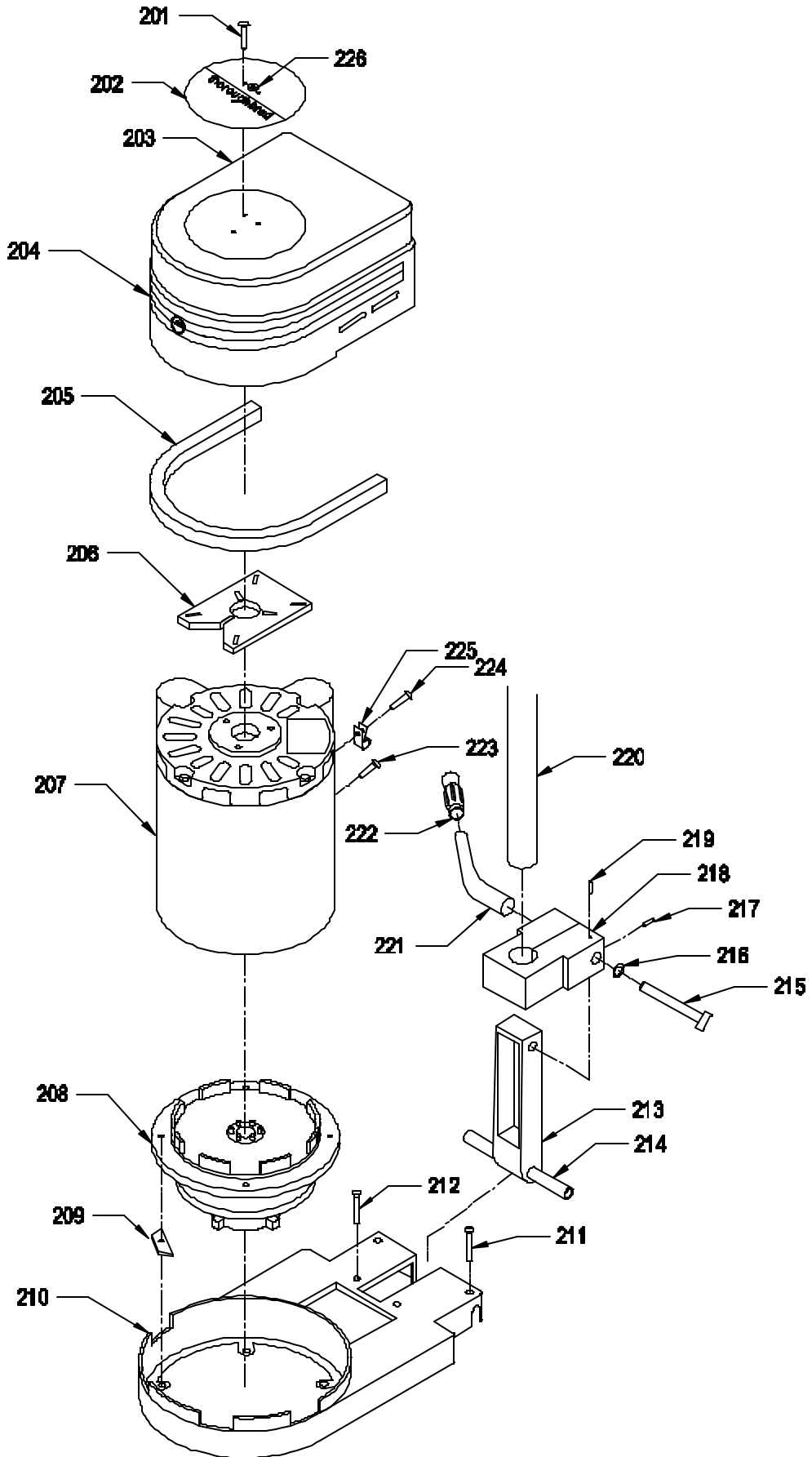
HANDLE ASSEMBLY



UPPER BASE ASSEMBLY

ITEM	PART NO	PART DESCRIPTION	QTY.
201	9120750	10-32 X 1/2 TRUSS HEAD PHILLIPS MACHINE SCREW	3
202	5093321	DECAL - "TOP MOTOR COVER" - 1 H.P. ONLY	1
	5093311	DECAL - "TOP MOTOR COVER" - 1 1/2 H.P. AND 2 H.P. ONLY	1
203	5092911	MOTOR COVER - 1 HP - 120 VOLT	1
	5092801	MOTOR COVER - 1 HP - 240 VOLT	1
	5092901	MOTOR COVER - 1 1/2 H.P. & 2 H.P. - BOTH 120 & 240 VOLT	1
204	5093301	DECAL - "FRONT MOTOR STRIP"	1
205	8891191	NEOPRENE GASKET	2FT.
206	5293951	CORK PAD	1
	5094341	MOTOR AND GEAR BOX ASSEMBLY - 1 H.P. - 120 VOLT	1
207	5094381	MOTOR ONLY - 1 H.P. - 120 VOLT	1
208	5391561	3 IDLER GEAR BOX	1
	5094351	MOTOR AND GEAR BOX ASSEMBLY - 1 H.P. - 240 VOLT	1
207	5094391	MOTOR ONLY - 1 H.P. - 240 VOLT	1
208	5391561	3 IDLER GEAR BOX	1
	5094361	MOTOR AND GEAR BOX ASSEMBLY - 1 1/2 H.P. - 120 VOLT	1
207	5094401	MOTOR ONLY - 1 1/2 H.P. - 120 VOLT	1
208	5391561	3 IDLER GEAR BOX	1
	5094411	MOTOR AND GEAR BOX ASSEMBLY - 1 1/2 H.P. - 240 VOLT	1
207	5094561	MOTOR ONLY - 1 1/2 H.P. - 240 VOLT	1
208	5391561	3 IDLER GEAR BOX	1
	5094601	MOTOR AND GEAR BOX ASSEMBLY - 2 H.P. - 120 VOLT	1
207	5094611	MOTOR ONLY - 2 H.P. - 120 VOLT	1
208	5391561	3 IDLER GEAR BOX	1
	5094801	MOTOR AND GEAR BOX ASSEMBLY - 2 H.P. - 240 VOLT	1
207	5094811	MOTOR ONLY - 2 H.P. - 240 VOLT	1
208	5391561	3 IDLER GEAR BOX	1
209	5091691	RUBBER MOUNT PAD	4
210	5090015	BASE	1
211	9120570	10-24 X 1 3/4 SOCKET HEAD CAP SCREW	2
212	9120570	10-24 X 1 3/4 SOCKET HEAD CAP SCREW	2
213	5090219	HANDLE LINK ASSEMBLY	1
	5090215	HANDLE LINK	1
214	5090226	TUBE	1
215	5090436	CLAMP BOLT	1
216	9121980	7/16 I.D. X 1 O.D. X .075/.080 THICK FLAT WASHER (3/8)	1
217	9120850	1/4-20 X 5/16 SET SCREW - KNURL POINT	1
218	5090175	TUBE CLAMP	1
219	9120850	1/4-20 X 5/16 SET SCREW - KNURL POINT	1
220	5094511	HANDLE TUBE	1
221	5091725	LOCKING LEVER	1
222	5091621	HANDLE GRIP	1
223	9120765	10-32 X 1/2 HEX WASHER HEAD SLOT - GROUNDED M.S.	1
224	9120760	10-32 X 1/2 HEX WASHER HEAD SLOT MACHINE SCREW	1
225	5294201	CABLE CLAMP	1
226	5093331	DECAL - 17"	1
	5093341	DECAL - 20"	1

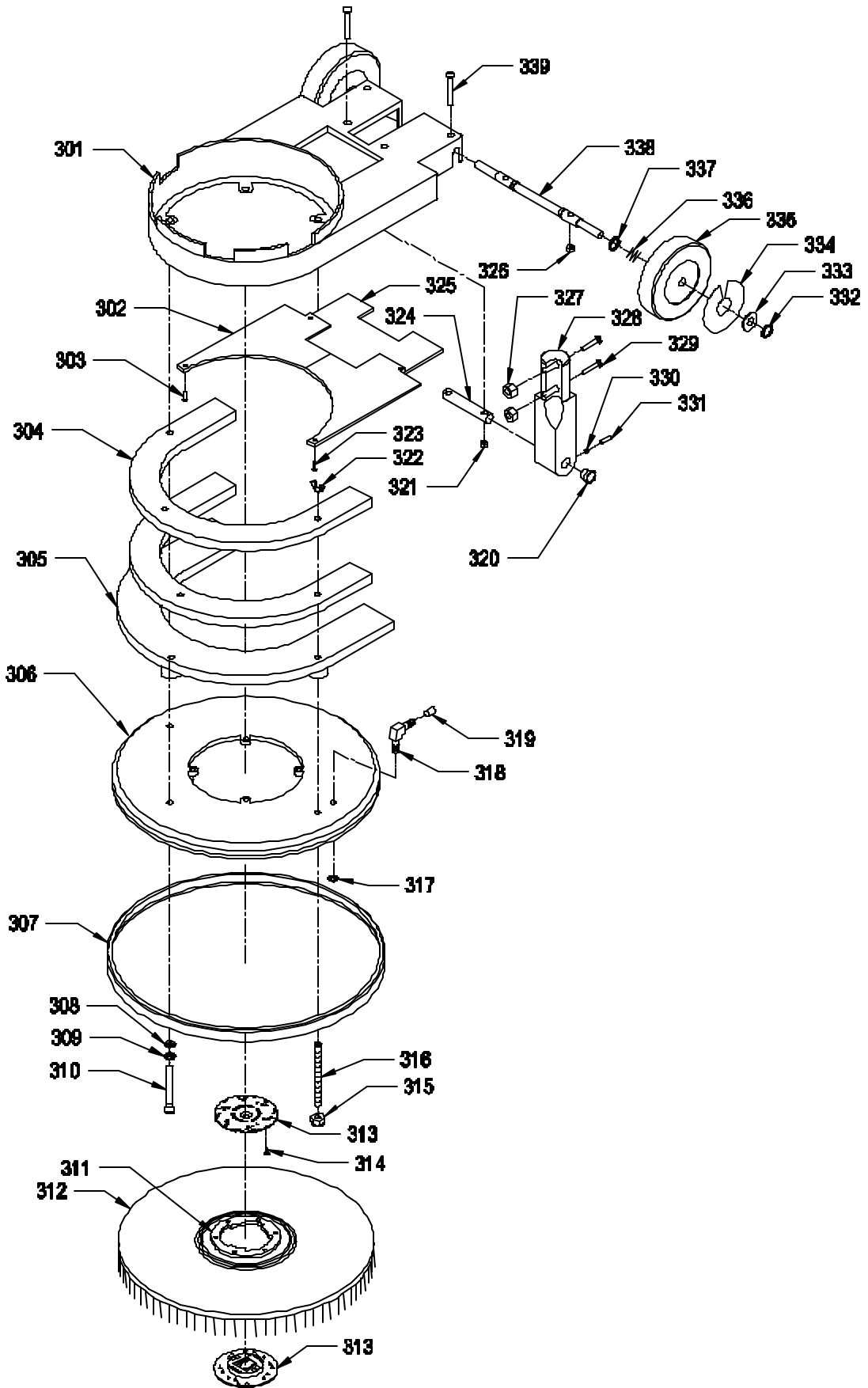
UPPER BASE ASSEMBLY



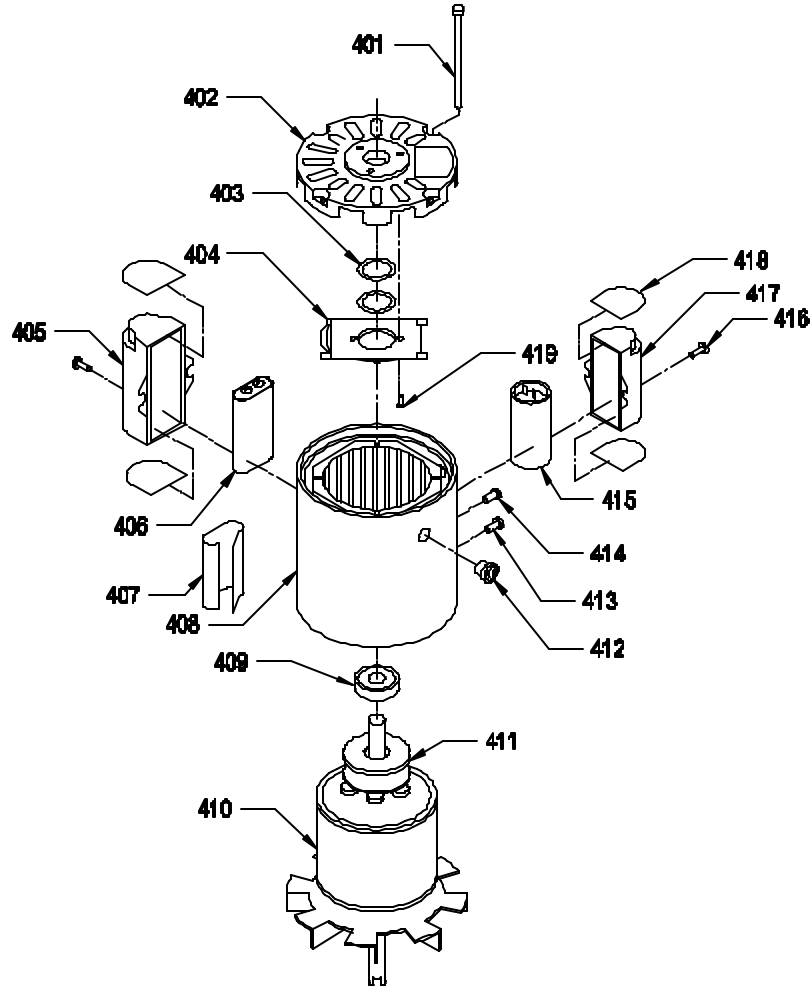
LOWER BASE ASSEMBLY

ITEM	PART NO.	DESCRIPTION	QTY.
301	5090015	BASE	1
302	5090651	BOTTOM PLATE SEAL - RIGHT SIDE	1
	5090661	BOTTOM PLATE SEAL - LEFT SIDE	1
303	9120300	8-32 X 3/8 FLAT HEAD PHILLIPS MACHINE SCREW	2
304	5491303	ADD ON WEIGHT - 10 POUNDS - OPTIONAL - 17" 1 1/2 AND 2 HP	2
305	5491293	MOUNTED WEIGHT - OPTIONAL - 17" 1 1/2 AND 2 HP	1
306	5090045	SKIRT - 17"	1
	5491345	SKIRT 17" WITH HOLES FOR WEIGHTS - OPTIONAL - 1 1/2 AND 2 HP	1
	5090065	SKIRT - 20"	1
307	5090371	BUMPER - 17"	1
	5090401	BUMPER - 20"	1
308	9121390	11/32 I.D. X 11/16 O.D. X .051/.080 THICK FLAT WASHER (5/16)	4
309	9121520	5/16 SPLIT LOCK WASHER	4
310	9121545	5/16-18 X 2 1/2 SOCKET HEAD CAP SCREW	4
311	2890971	CLUTCH PLATE - 5" DIAMETER - 6 HOLES - BLACK TRU FIT	1
312	2897601	17" HIGH SPEED PAD DRIVER	1
	2892601	20" HIGH SPEED PAD DRIVER	1
313	5990731	SPRING CLIP PAD HOLDER SET - INCLUDES:	1
314	9120790	10 X 5/8 PAN HEAD SHEET METAL SCREW	3
315	9121450	5/16-18 HEX NUT WITH NY-LOK INSERT - OPTIONAL 17" 1 1/2 AND 2 HP	3
316	5491311	WEIGHT MOUNTING STUD - OPTIONAL - 17" 1 1/2 AND 2 HP	3
317	5092641	RETAINING RING - SOLUTION FEED TUBE	1
318	5092632	SOLUTION FEED TUBE - 90°	1
319	5092531	SOLUTION FEED TUBE CAP	1
320	5090441	NYLON BUSHING	2
321	9120350	10-24 HEX NUT WITH NY-LOK INSERT	2
322	9121440	5/16-18 WING NUT - OPTIONAL - 17" 1 1/2 AND 2 HP	3
323	9120220	8-32 X 3/8 ROUND HEAD PHILLIPS MACHINE SCREW	2
324	5090246	HANDLE PIVOT STUD	1
325	5090209	BOTTOM PLATE	1
326	9120350	10-24 HEX NUT WITH NY-LOK INSERT	2
327	9120900	1/4-20 HEX NUT WITH NY-LOK INSERT	2
328	5090182	TUBE CASTING	1
329	9121145	1/4-20 X 2 HEX BOLT	2
330	9998061	3/16" NYLON ROD	1
331	9120850	1/4-20 X 5/16 SET SCREW - KNURL POINT	1
332	5091701	RETAINING RING	2
333	9122465	.516 I.D. X .813 O.D. X .027/.030 THICK FLAT WASHER (1/2)	2
334	5090491	DECAL - "WHEEL COVER"	2
335	5092591	WHEEL 5" WITH PLASTIC BEARING	2
336	5091711	WHEEL SPRING	2
337	5090481	5/8 RETAINING RING	2
338	5090166	AXLE	1
339	9120570	10-24 X 1 3/4 SOCKET HEAD CAP SCREW	4

LOWER BASE ASSEMBLY



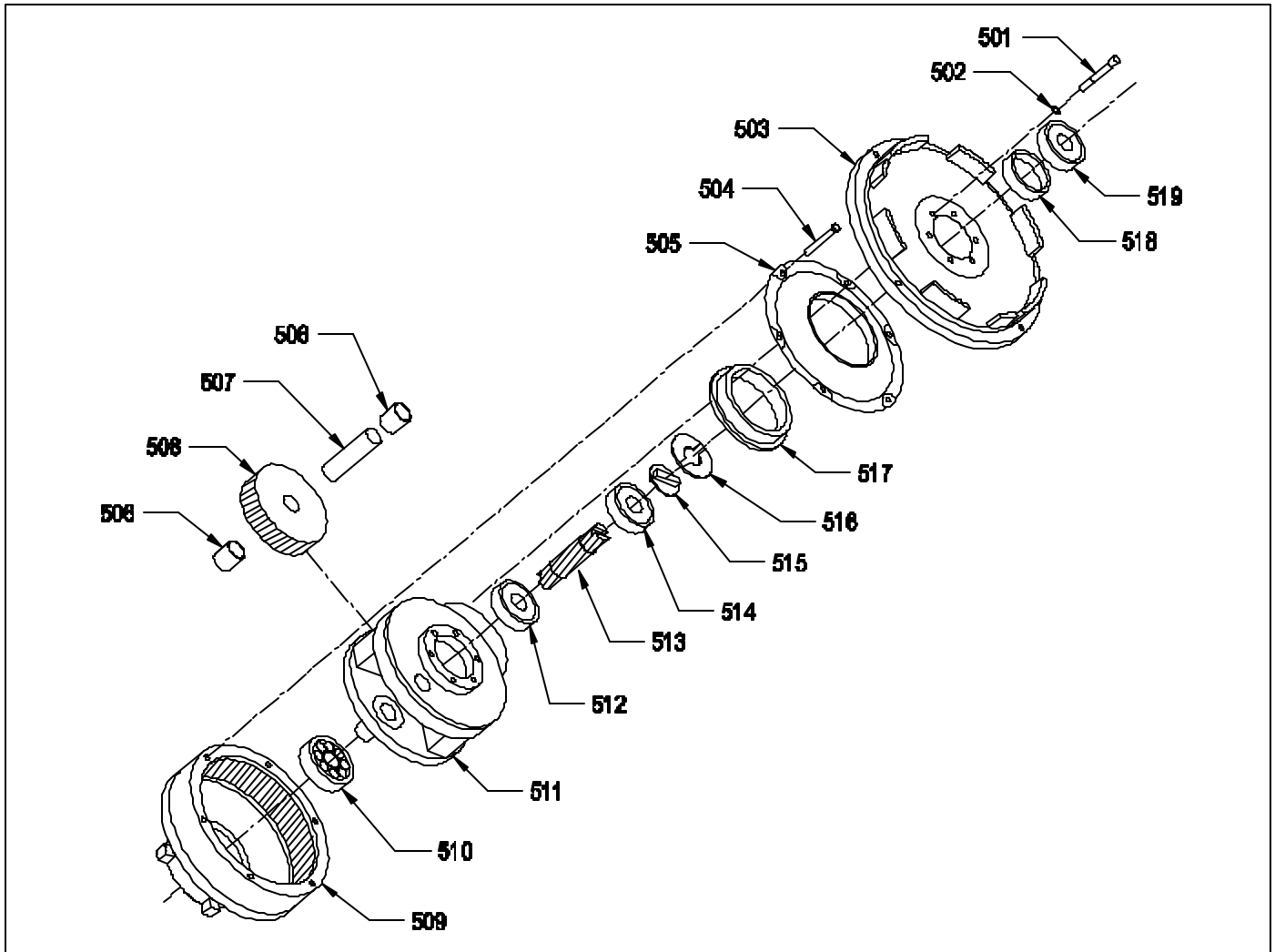
MOTOR ASSEMBLY



120 V/60HZ	240V/50HZ	120V/60HZ	240V/50HZ
1 HP	1 HP	1 1/2 HP	1 1/2 HP
53PD4610834	53PD468506	53MPC871169	88419087

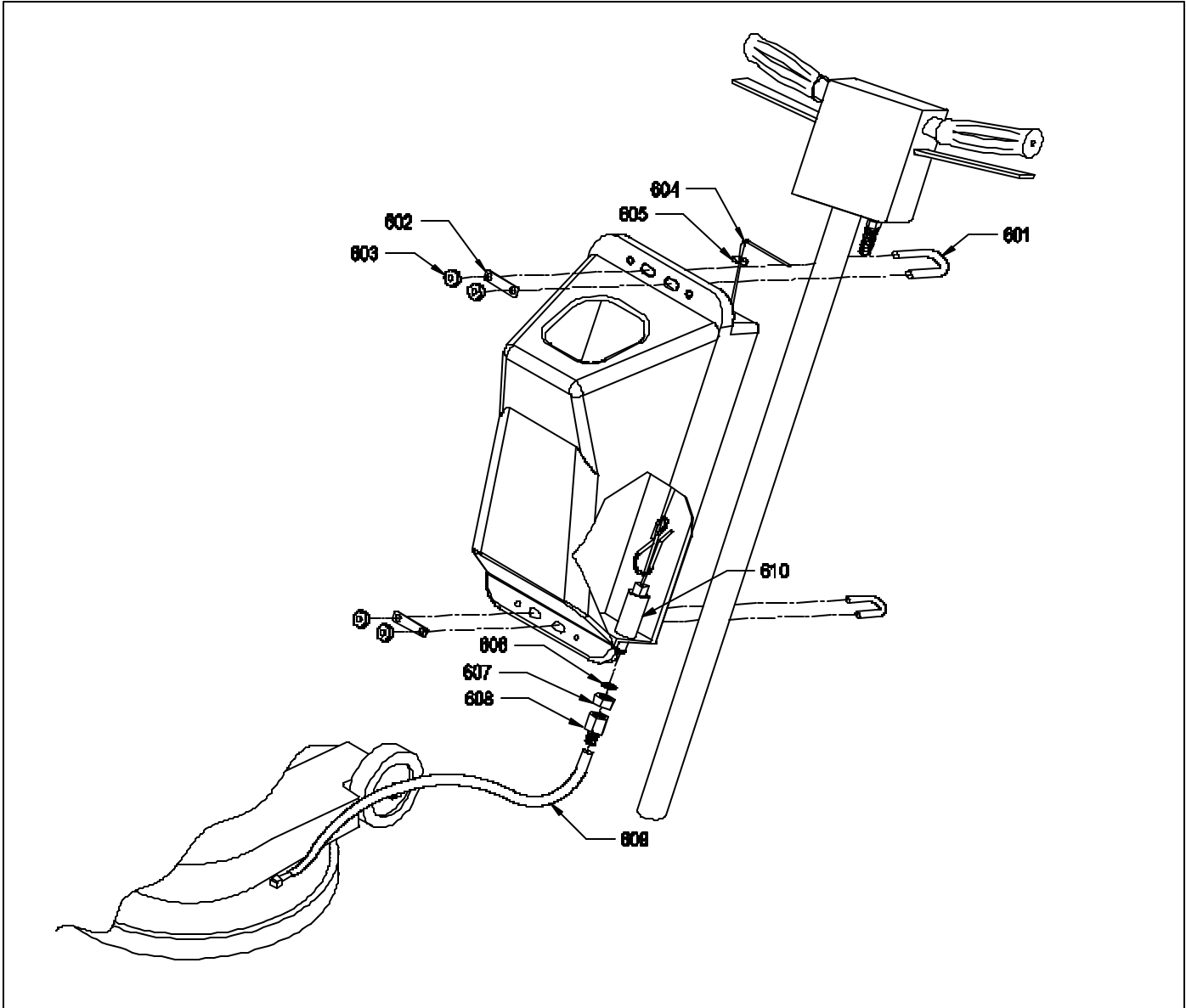
<u>ITEM</u>	<u>PART NO</u>	<u>PART NO</u>	<u>PART NO</u>	<u>PART NO</u>	<u>DESCRIPTION</u>	<u>QTY.</u>
401	5094441	-----	-----	-----	1/4-20 X 6 1/2 HEX WASHER HEAD THRU BOLT	2
	-----	5094461	-----	-----	1/4-20 X 8 HEX WASHER HEAD THRU BOLT	2
	-----	-----	5094451	5094451	1/4-20 X 7 3/8 HEX WASHER HEAD THRU BOLT	2
402	5391601	5391601	5391601	5391601	TOP END BELL	1
403	5093101	5093101	5093101	5093101	LOAD SPRING	2
404	5391611	5391611	5391611	5091611	STATIONARY SWITCH	1
405	-----	-----	5392261	5392261	CAPACITOR COVER - RUN	4
406	-----	-----	5092831	5392251	CAPACITOR - RUN	1
407	5091211	5091211	5091211	5091211	CORRUGATED INSULATION	1
408	5391431	5092861	5092851	5092851	STATOR WITH FRAME AND BUSHING	1
409	5092041	5092041	5092041	5092041	UPPER BEARING	1
410	5391681	5392201	5092871	5392211	ROTOR WITH CENTRIFUGAL SWITCH	1
411	5391661	5391671	5391661	5391671	CENTRIFUGAL SWITCH	1
412	5093151	5093151	5093151	5093151	HEYCO BUSHING	1
413	9120765	9120765	9120765	9120765	10-32 X 1/2 HEX WASHER HEAD GROUNDED	1
414	9120760	9120760	9120760	9120760	10-32 X 1/2 HEX WASHER HEAD M.S.	1
415	5391621	5392271	5092821	5392271	CAPACITOR - START	1
416	9120760	9120760	9120760	9120760	10-32 X 1/2 HEX WASHER HEAD M.S.	1
417	5391631	5391631	5391631	5391631	CAPACITOR COVER - START	1
418	5390521	5390521	5390521	5390521	CAPACITOR INSULATOR	4
419	9120220	9120220	9120220	9120220	8-32 X 3/8 ROUND HEAD PHILLIPS SCREW	2

GEAR BOX ASSEMBLY



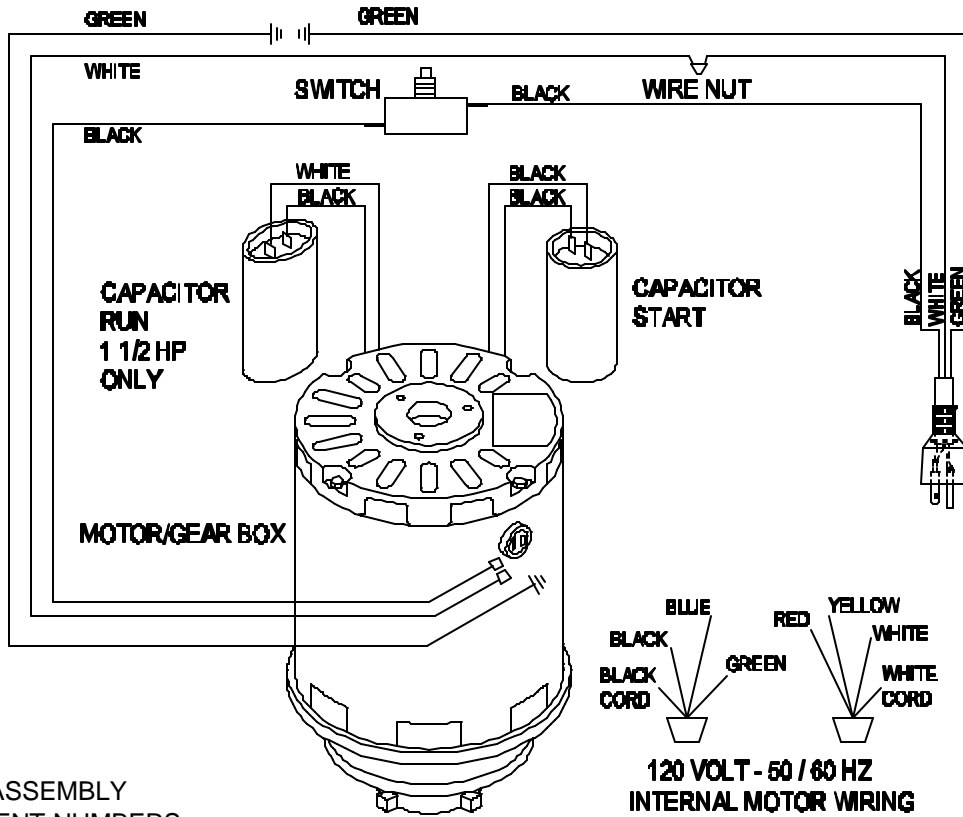
ITEM	PART NO.	DESCRIPTION	QTY.	QTY.
			2 IDLER	3 IDER
	5391371	2 IDLER GEAR BOX ASSEMBLY - COMPLETE	1	1
	5391561	3 IDLER GEAR BOX ASSEMBLY - COMPLETE	1	1
501	9120774	10-32 X 1 3/16 SOCKET HEAD CAP SCREW	6	6
502	9120320	10 SPLIT LOCK WASHER	6	6
503	5391701	MOTOR END BELL	1	1
504	9120430	10-24 X 3/4 ROUND HEAD PHILLIPS MACHINE SCREW	6	6
505	5391781	GEAR HOUSING COVER	1	1
506	5391761	IDLER SHAFT	2	3
507	5391831	IDLER GEAR - 59 TEETH	2	3
508	5391721	IDLER SHAFT BEARING	4	6
509	5391821	GEAR HOUSING - 132 TEETH	1	1
510	5391201	LOWER BEARING	1	1
511	5391711	2 IDLER CAGE	1	0
	5391811	3 IDLER CAGE	0	1
512	5391571	BEARING - BOTTOM PINION	1	1
513	5391061	PINION - 12 TEETH	1	1
514	5391031	BEARING	1	1
515	5391051	ODUM COUPLING	1	1
516	5391251	SHAFT WASHER	1	1
517	5391141	BEARING - GEAR HOUSING COVER	1	1
518	5391791	BEARING SPACER	1	1
519	5391031	BEARING	1	1

SOLUTION TANK ACCESSORY



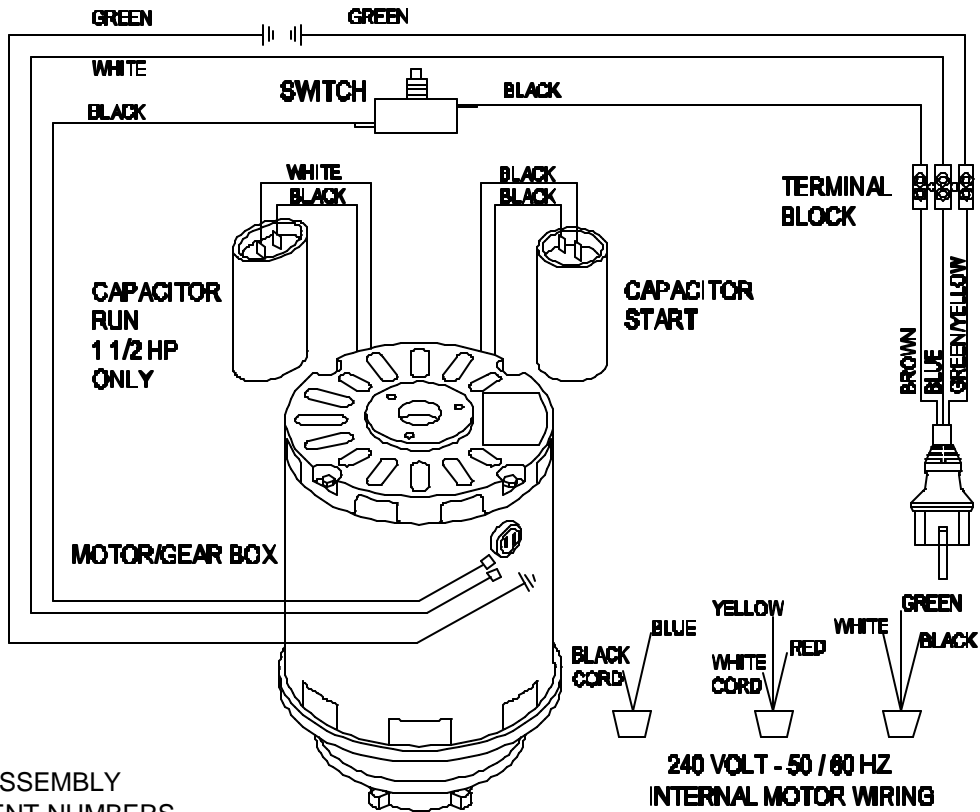
<u>ITEM</u>	<u>PART NO.</u>	<u>PART DESCRIPTION</u>	<u>QTY.</u>
	5094751	4 GALLON SOLUTION TANK COMPLETE	1
	5094761	2 GALLON SOLUTION TANK COMPLETE	1
601	5094281	5-16-18 U-BOLT ASSEMBLY - INCLUDES:	2
602	5094281	WASHER BAR	2
603	9121420	5/16-18 HEX NUT	4
604	5094221	HANDLE ROD - INCLUDES:	1
	5094211	VINYL HANDLE GRIP	1
605	5294231	GROMMET	1
606	5094261	NEOPRENE WASHER	1
607	5094271	1/4 PIPE NUT	1
608	5094191	1/4 NPT X 5/16 HOSE BARB	1
609	8791020	SOLUTION TUBE	1.67
610	5094241	SOLUTION VALVE ASSEMBLY	1

120 VOLT



SEE HANDLE ASSEMBLY FOR COMPONENT NUMBERS

240 VOLT



SEE HANDLE ASSEMBLY FOR COMPONENT NUMBERS

ACCESSORIES



- 2890101 PLASTIC CLUTCH PLATE - 5" DIAMETER - 6 HOLES
- 2890981 PLASTIC CLUTCH PLATE - 4" DIAMETER - 3 HOLES
- 2890991 ALUMINUM CLUTCH PLATE - 5" DIAMETER - 6 HOLES
- 2893001 ALUMINUM CLUTCH PLATE - 4" DIAMETER - 3 HOLES



- 2897211 17" POLY BACK TUFTED PAD DRIVER
- 2897601 17" STRUCTURAL FOAM PAD DRIVER
- 2897201 17" POLY BACK NYLON FILL SCRUB BRUSH - LIGHT TO MEDIUM SCRUB
- 2897711 17" POLY BACK NYLON GRIT FILL SCRUB BRUSH - HEAVY CONCRETE SCRUB
- 2897821 17" POLY BACK NYLON - SOFT SCRUB BRUSH - CARPET ONLY
- 2897901 17" POLY BACK SCRUB GRIT BRUSH - MILD TO MEDIUM SCRUB



- 2892211 20" POLY BACK TUFTED PAD DRIVER
- 2892601 20" STRUCTURAL FOAM PAD DRIVER
- 2892201 20" POLY BACK NYLON FILL SCRUB BRUSH - LIGHT TO MEDIUM SCRUB
- 2892651 20" POLY BACK NYLON FILL SCRUB BRUSH - WITH GUIDE FOR CARPET SHAMPOOING
- 2892711 20" POLY BACK NYLON GRIT FILL SCRUB BRUSH - HEAVY CONCRETE SCRUB
- 2892031 20" PLASTIC BACK BASSINE SCRUB BRUSH - GENERAL SCRUB
- 2892701 20" POLY BRUSH - SHOWER FEED - STANDARD CARPET SCRUB
- 2892901 20" POLY BACK SCRUB GRIT BRUSH - MILD TO MEDIUM SCRUB



- NOTE: ALL PADS COME 5 (FIVE) PADS PER CASE
- 7991751 17" LITE BLUE POLISH/BURNISH PAD - SOFT FINISH
 - 7991741 17" UHS CLEAN BUFF PAD - REMOVE SCUFF MARKS NOT FINISH
 - 7991731 17" BLUE SCRUB PAD - TOP SCRUB AND LIGHT FINISH REMOVAL
 - 7991721 17" GREEN SCRUB PAD - HEAVY FINISH REMOVAL
 - 7991701 17" BLACK STRIP PAD - REMOVES FINISH COMPLETELY
 - 7992051 20" LITE BLUE POLISH/BURNISH PAD - SOFT FINISH
 - 7992041 20" UHS CLEAN BUFF PAD - REMOVE SCUFF MARKS NOT FINISH
 - 7992031 20" BLUE SCRUB PAD - TOP SCRUB AND LIGHT FINISH REMOVAL
 - 7992021 20" GREEN SCRUB PAD - HEAVY FINISH REMOVAL
 - 7992001 20" BLACK STRIP PAD - REMOVES FINISH COMPLETELY
 - 7992011 20" BROWN STRIP PAD - REMOVES FINISH COMPLETELY



- NOTE: ADDED WEIGHT CAN ONLY BE ADDED TO A 17", 1 1/2 OR 2 HP MACHINE
- 5491345 SKIRT WITH HOLES FOR WEIGHTS 1
 - 5491293 MOUNTED WEIGHT 1
 - 5491303 ADD ON WEIGHT - 10 POUNDS 2 MAX.
 - 5491311 WEIGHT MOUNTING STUD 3
 - 9121450 5/16-18 HEX NUT WITH NY-LOK INSERT 3
 - 9121440 5/16-18 WING NUT 3



- 2890201 SPRAY BUFF APPLICATOR - PUMP UP TYPE



- 5094751 DELUXE SOLUTION TANK - 4 GALLON WITH BRASS VALVES
- 5094761 DELUXE SOLUTION TANK - 2 GALLON WITH BRASS VALVES



NSS® Enterprises, Inc.

3115 Frenchmens Road, Toledo, Ohio 43607
 PHONE (419) 531-3761 FAX (419) 531-3761
NSS® Enterprises, Inc. European Distribution Centre
 Unit II, Pinfold Trading Estate * 55 Nottingham Road
 STAPLEFORD, NOTTINGHAM NG9 8AD ENGLAND U.K.
 PHONE: (44) 0115 939 1568 * FAX: (44) 0115 949 0615