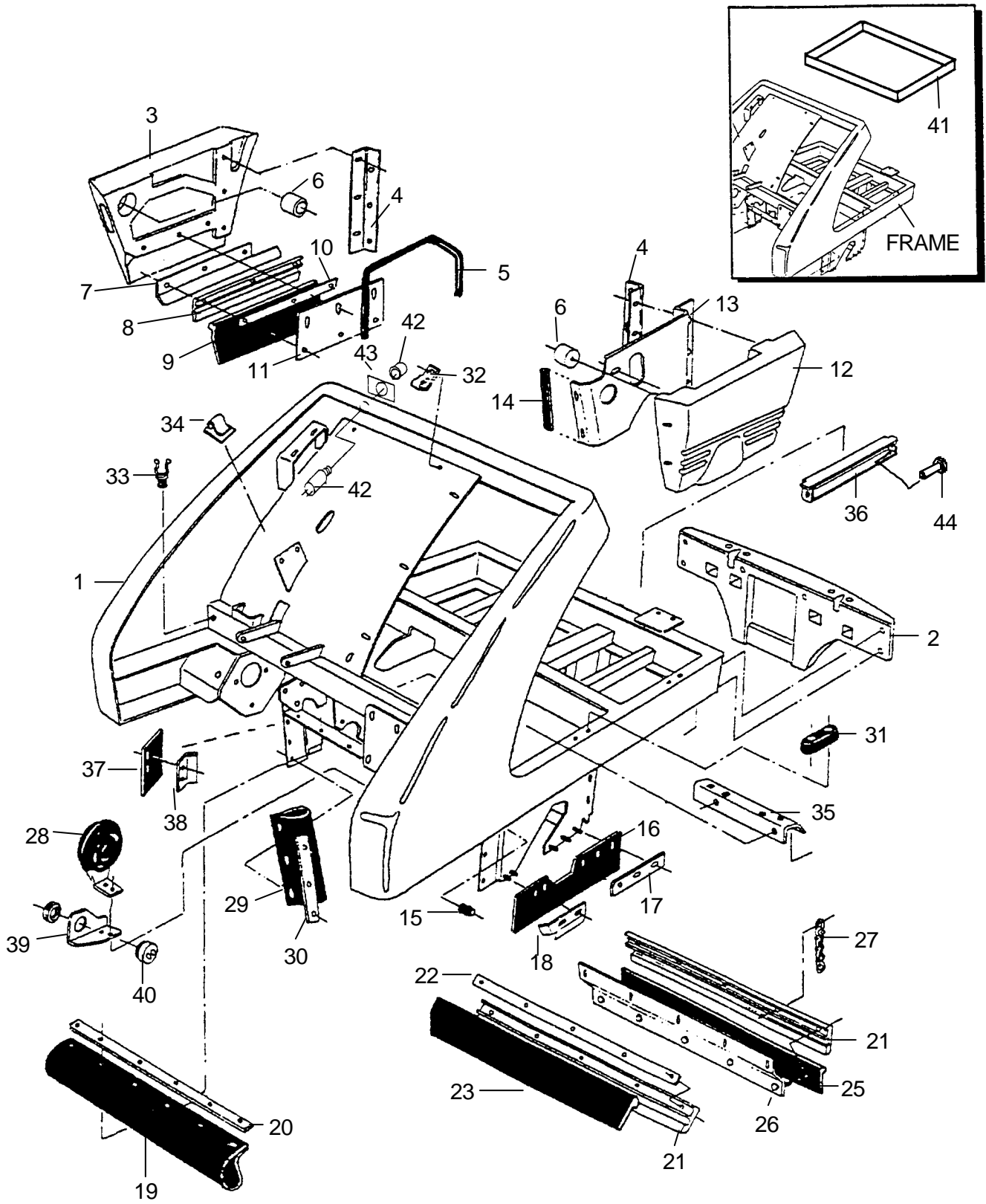


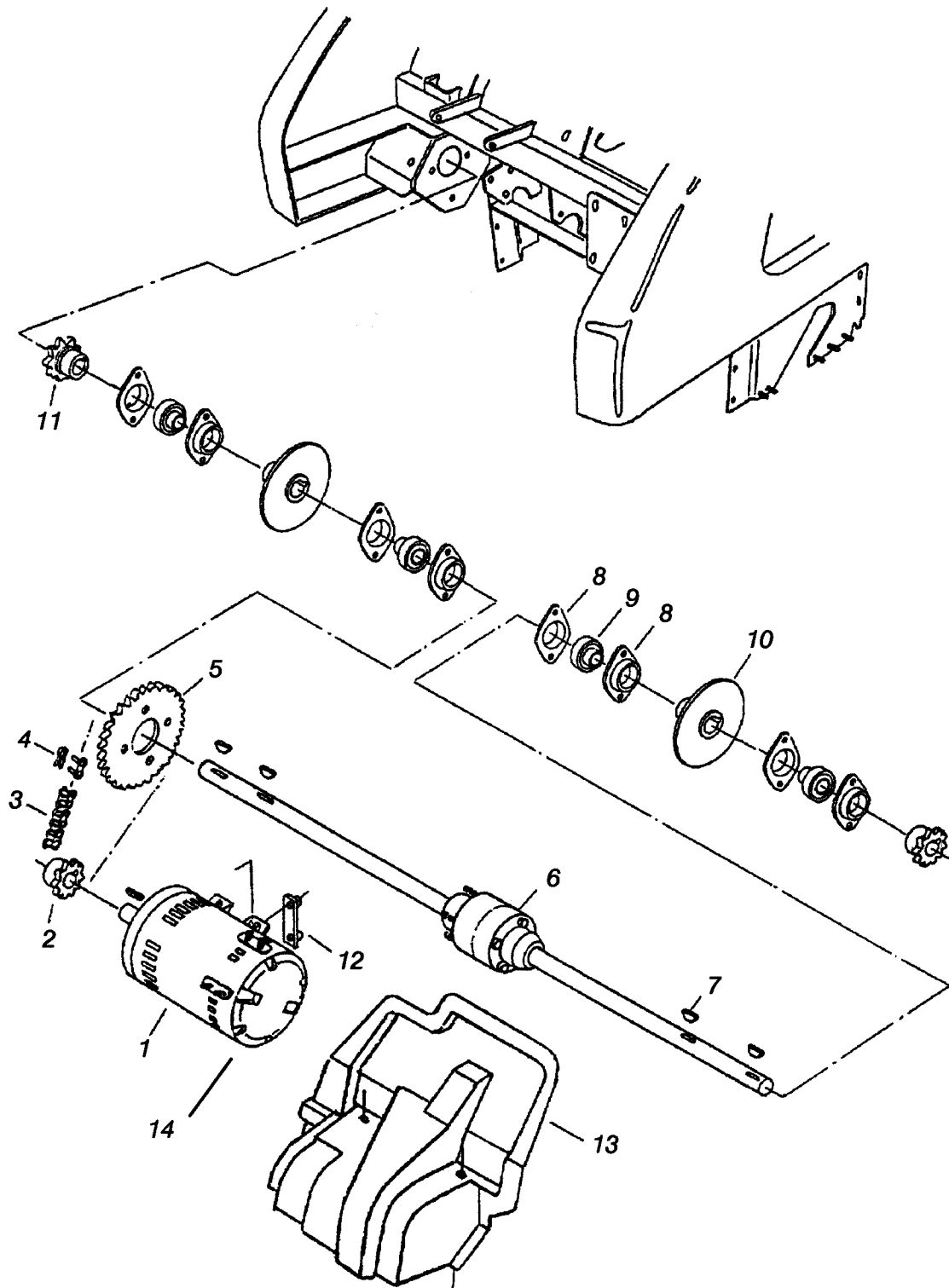
# FRAME GROUP



## FRAME GROUP

| REF | PART NO. | QTY | DESCRIPTION                        | SERIAL NO.<br>FROM | NOTES: |
|-----|----------|-----|------------------------------------|--------------------|--------|
| 1   | 80125    | 1   | WELDMENT, FRAME                    |                    |        |
| 2   | 80121    | 1   | BUMPER, REAR                       |                    |        |
| 3   | 80122    | 1   | DOOR, BROOM RT MACHINED            |                    |        |
| 4   | 41258    | 2   | HINGE, BROOM DOOR                  |                    |        |
| 5   | 35142    | 1   | SEAL, RT BROOM DOOR X 37"          |                    |        |
| 6   | 51214    | 2   | LATCH, FEMALE 6.5LB PULL BLU       |                    |        |
| 7   | 80206    | 1   | ANGLE, RT DOOR SKIRT SUPPORT       |                    |        |
| 8   | 80205    | 1   | CHANNEL, RIGHT DOOR                |                    |        |
| 9   | 80202    | 1   | SKIRT, RIGHT DOOR                  |                    |        |
| 10  | 80215    | 1   | STRAP, RIGHT DOOR SKIRT SPACER     |                    |        |
| 11  | 80213    | 1   | PLATE, RIGHT DOOR SKIRT ADJ        |                    |        |
| 12  | 80123    | 1   | DOOR, BROOM LEFT MACHINED          |                    |        |
| 13  | 81142    | 1   | PLATE, DOOR SUPPORT                |                    |        |
| 14  | 80580    | 1   | EDGING, M BROOM DOOR LT 8.63"      |                    |        |
| 15  | 51215    | 2   | LATCH, MALE BLK (1/4" HD WR)       |                    |        |
| 16  | 80216    | 1   | SKIRT, LEFT BROOM CHAMBER          |                    |        |
| 17  | 80217    | 1   | RETAINER, LEFT SKIRT               |                    |        |
| 18  | 80218    | 1   | RETAINER, SKIRT FORWARD            |                    |        |
| 19  | 80220    | 1   | SEAL, HOPPER TOP                   |                    |        |
| 20  | 80221    | 1   | RETAINER, HOPPER TOP SEAL          |                    |        |
| 21  | 80204    | 2   | CHANNEL, REAR FRAME                |                    |        |
| 22  | 80212    | 1   | STRAP, RECIRC. SKIRT SPACER        |                    |        |
| 23  | 80201    | 1   | SKIRT, RECIRCULATING               |                    |        |
| 24  | OPEN     | -   | -                                  |                    |        |
| 25  | 80200    | 1   | SKIRT, REAR                        |                    |        |
| 26  | 80211    | 1   | MOUNT, REAR SKIRT                  |                    |        |
| 27  | 80582    | 1   | CHAIN, #1/0 7 LINKS GROUNDING      |                    |        |
| 28  | 80583    | 1   | HORN, 36VDC                        |                    |        |
| 29  | 80219    | 2   | SEAL, HOPPER SIDE                  |                    |        |
| 30  | 80210    | 2   | RETAINER, HOPPER SIDE SEAL         |                    |        |
| 31  | 80698    | 4   | BUMPER, RUBBER 2 HOLE MOUNT        |                    |        |
| 32  | 80744    | 2   | CLIP, WIRE SCREW DOWN              |                    |        |
| 33  | 80802    | 4   | RETAINER, WIRE TWIST TREE MOUNT    |                    |        |
| 34  | 80743    | 2   | CLIP, CORD SELF-ADHESIVE           |                    |        |
| 35  | 80738    | 1   | ANGLE, CABLE RETAINER              |                    |        |
| 36  | 80373    | 2   | CHANNEL, BATTERY RETAINER          |                    |        |
| 37  | 80784    | 1   | SKIRT, CORNER                      |                    |        |
| 38  | 80785    | 1   | RETAINER, CORNER SKIRT             |                    |        |
| 39  | 80881    | 1   | PLATE, BUZZER MOUNT                |                    |        |
| 40  | 80882    | 1   | BUZZER, PIEZO 6-28VDC              |                    |        |
| 41  | 82028    | 1   | TRAY, BATTERY 24.1 X 21.5 X 2.2    |                    |        |
| 42  | 81371    | 1   | SWITCH, PUSH BUTTON                |                    |        |
| 43  | 81349    | 1   | OVERLAY, HORN                      |                    |        |
| 44  | 70534    | 4   | SCR, 1/4-14 X 3/4 TEKS/3 HWHS PLTD |                    |        |

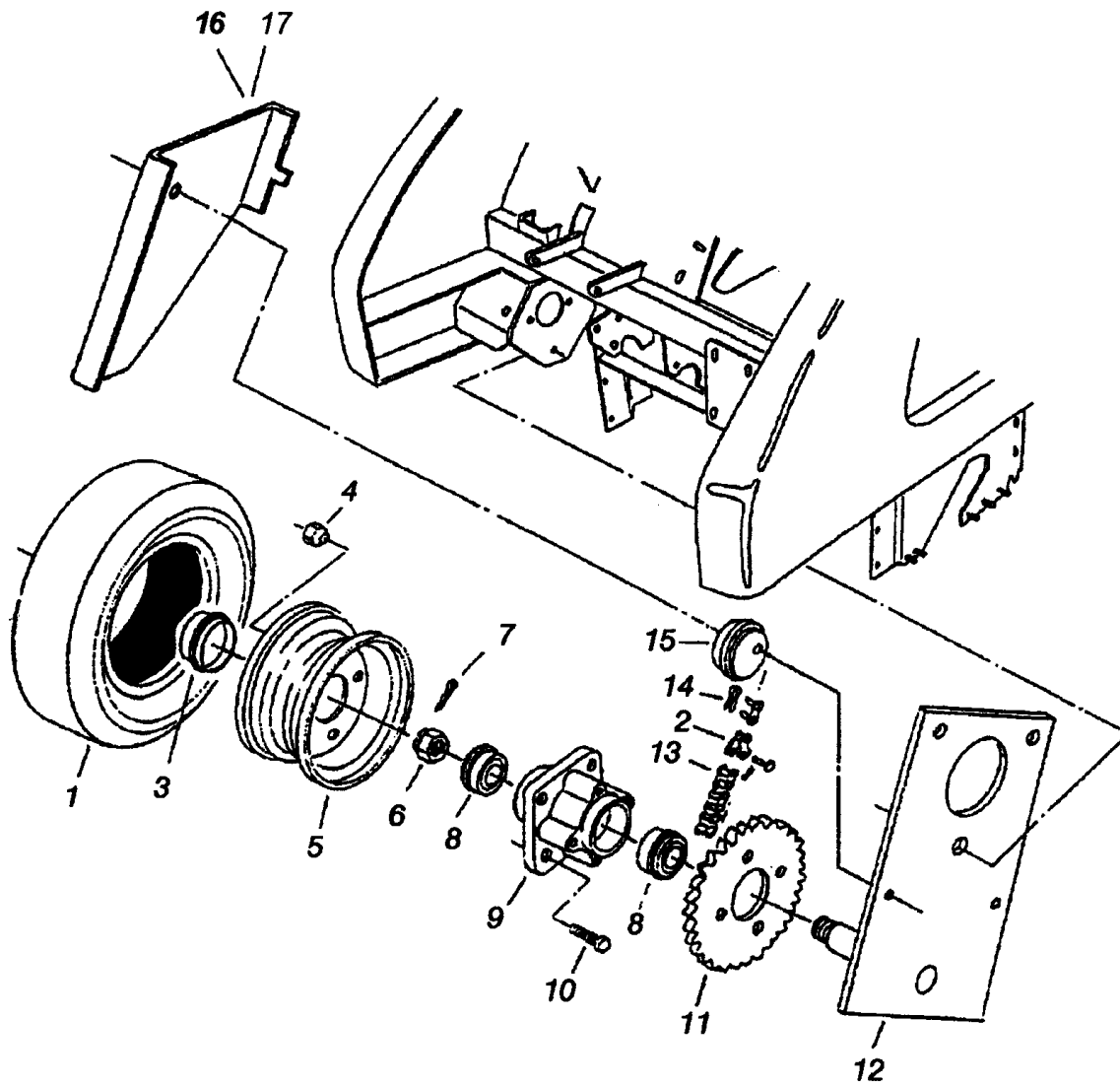
# DIFFERENTIAL GROUP



## DIFFERENTIAL GROUP

| REF | PART NO. | QTY | DESCRIPTION                     | SERIAL NO.<br>FROM | NOTES:       |
|-----|----------|-----|---------------------------------|--------------------|--------------|
| 1   | 53593    | 1   | MOTOR, 36VDC 1HP 2500RPM GE     |                    |              |
| 2   | 80585    | 1   | SPROCKET, #40 1/2"P 11T 7/8"B   |                    |              |
| 3   | 80587    | 1   | CHAIN, #40 1/2"P X 56 LAMBDA    |                    |              |
| 4   | 27743    | 1   | CHAIN, #40 1/2"P LAMBDA M.LINK  |                    |              |
| 5   | 80004    | 1   | SPROCKET, #40 1/2"P 36T         |                    |              |
| 6   | 80006    | 1   | DIFFERENTIAL, 34.38" LENGTH     |                    |              |
| 7   | 80590    | 4   | KEY, WOODRUFF 3/16" X 3/4" #606 |                    |              |
| 8   | 80595    | 8   | FLANGE, BEARING PRESS STEEL     |                    |              |
| 9   | 09070    | 4   | BEARING, .75"ID X 1.85"D BALL   |                    |              |
| 10  | 80602    | 2   | DISC, BRAKE                     |                    |              |
| 11  | 80592    | 2   | SPROCKET, #40 1/2"P 11T 3/4"B   |                    |              |
| 12  | 80578    | 2   | BAR, MOTOR RETAINER             |                    |              |
| 13  | 80858    | 1   | GUARD, MOTOR MACHINED           |                    |              |
| 14  | 82568    | 2   | BRUSH SET, DRIVE MOTOR 53593    |                    | SERVICE ONLY |

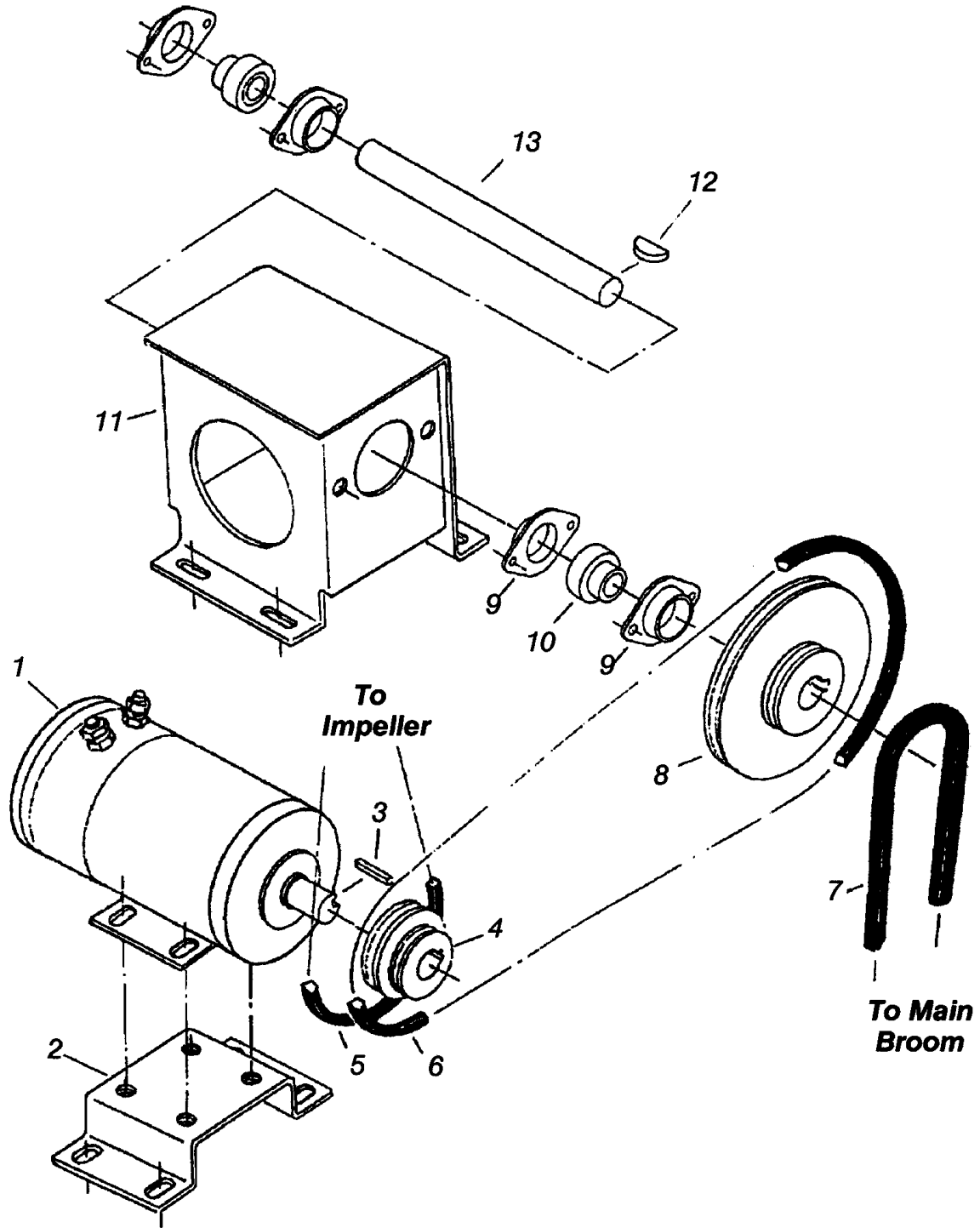
# FRONT WHEEL DRIVE GROUP



## FRONT WHEEL DRIVE GROUP

| REF | PART NO. | QTY | DESCRIPTION                       | SERIAL NO.<br>FROM | NOTES:       |
|-----|----------|-----|-----------------------------------|--------------------|--------------|
| 1   | 80593    | 2   | TIRE/RIM ASM, PNEUMATIC           |                    |              |
| 2   | 80589    | 2   | LINK-HALF, #40 SINGLE PITCH       |                    |              |
| 3   | 80596    | 2   | HUB CAP, GREASE CAP ZINC PLTD     |                    |              |
| 4   | 80597    | 8   | NUT, LUG WHEEL 12MM-1.25 PITCH    |                    |              |
| 5   | 82422    | 2   | TIRE/RIM ASM, FOAM FILLED         |                    | SERVICE ONLY |
| 6   | 80598    | 2   | NUT, 3/4-16 SLOTTED GR2 PLTD      |                    |              |
| 7   | 66243    | 2   | PIN, COTTER 1/8"D X 1.5"L PLTD    |                    |              |
| 8   | 09071    | 4   | BEARING, .9843"ID X 2.0472"OD     |                    |              |
| 9   | 80002    | 2   | HUB, DRIVE WHEEL                  |                    |              |
| 10  | 80599    | 8   | STUD, WHEEL                       |                    |              |
| 11  | 80005    | 2   | SPROCKET, #40 1/2" P 44T          |                    |              |
| 12  | 80192    | 2   | WELDMENT, AXLE PLATE              |                    |              |
| 13  | 80600    | 2   | CHAIN, #40 1/2" PITCH X 76 LAMBDA |                    |              |
| 14  | 27743    | 2   | CHAIN, #40 1/2"P LAMBDA M.LINK    |                    |              |
| 15  | 80194    | 4   | TENSIONER, DRIVE CHAIN            |                    |              |
| 16  | 81216    | 1   | GUARD, CHAIN RIGHT                |                    |              |
| 17  | 81217    | 1   | GUARD, CHAIN LEFT                 |                    |              |

# AUXILIARY DRIVE GROUP

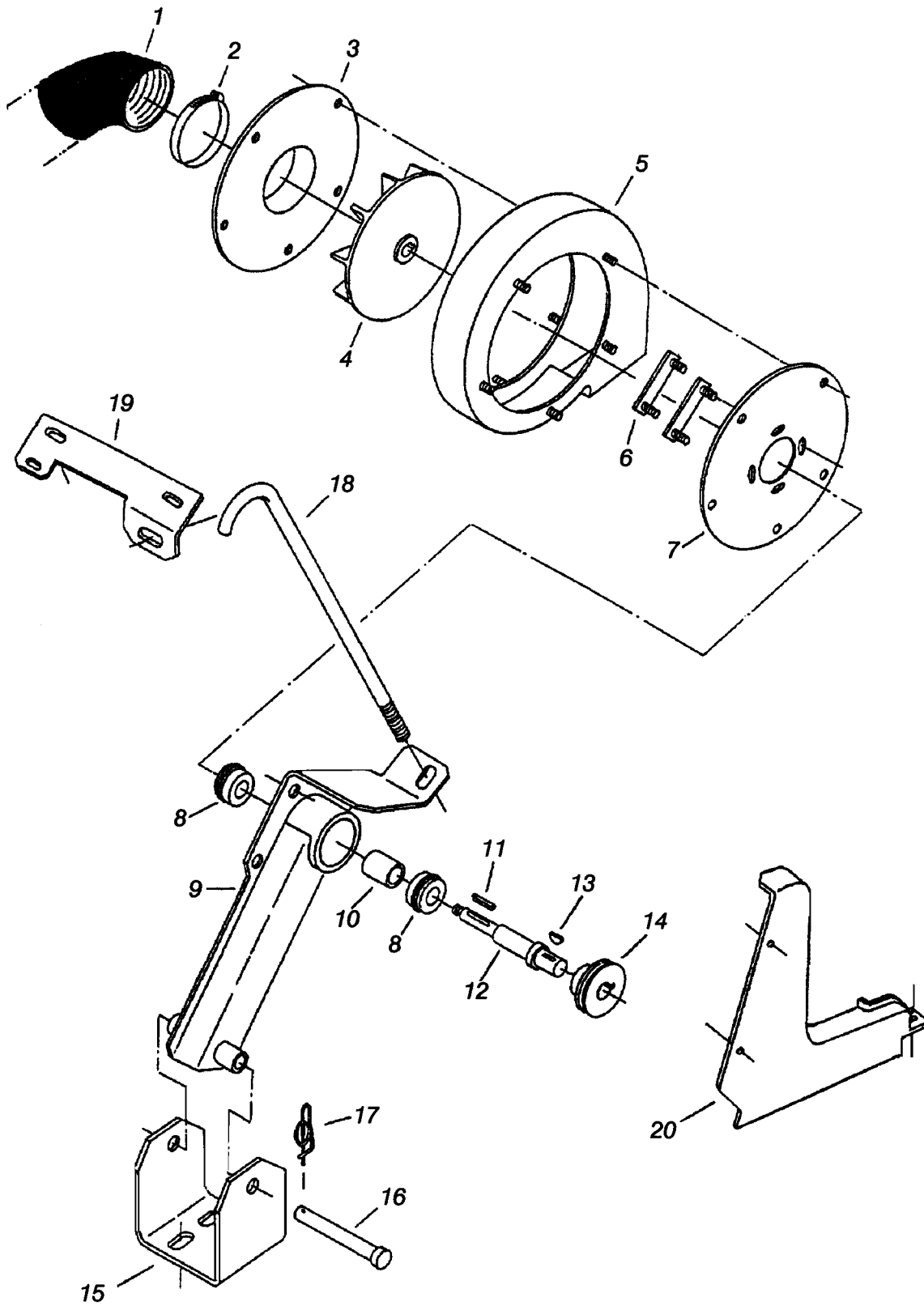


## AUXILIARY DRIVE GROUP

| REF | PART NO. | QTY | DESCRIPTION                     | SERIAL NO.<br>FROM | NOTES:    |
|-----|----------|-----|---------------------------------|--------------------|-----------|
| 1   | 53591    | 1   | MOTOR, 36VDC 1HP 2500RPM AUX    |                    |           |
| 2   | 80327    | 1   | CHANNEL, MOTOR                  |                    |           |
| 3   | 48049    | 1   | KEY, 3/16 X 3/16 X 1.5"L TJ1000 |                    |           |
| 4   | 64076    | 1   | PULLEY, MAIN BROOM DRIVE MOTOR  |                    |           |
| 5   | 11033    | 1   | BELT, 3V X 355 COG TYPE X 35.5" |                    |           |
| 6   | 11035    | 1   | BELT, 3V X 335 COG TYPE X 33.5" |                    |           |
| 7   | 11034    | 1   | BELT, 3V X 600 COG TYPE X 60"   |                    |           |
| 8   | 64075    | 1   | PULLEY, JACKSHAFT QTFSB         |                    |           |
| 9   | 80595    | 4   | FLANGE, BEARING PRESS STEEL     |                    |           |
| 10  | 09070    | 2   | BEARING, .75"ID X 1.85"D BALL   |                    |           |
| 11  | 80324    | 1   | WELDMENT, JACKSHAFT MOUNT       |                    |           |
| 12  | 80590    | 1   | KEY, WOODRUFF 3/16" X 3/4" #606 |                    |           |
| 13  | 80328    | 1   | SHAFT, JACKSHAFT                |                    |           |
| 14  | 14649    | 1   | BRUSH SET, DRIVE MOTOR          |                    | NOT SHOWN |



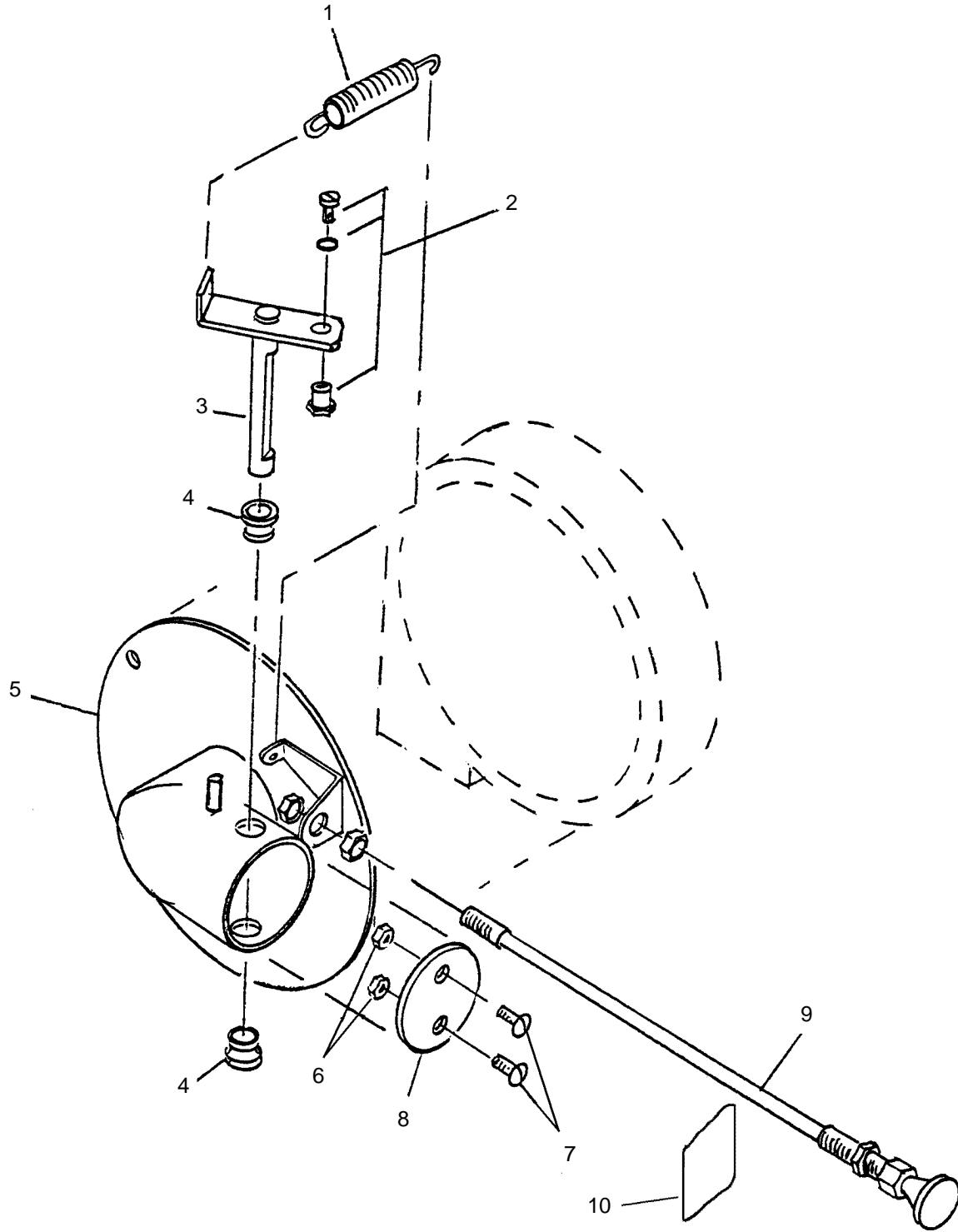
# IMPELLER GROUP



## IMPELLER GROUP

| REF | PART NO. | QTY | DESCRIPTION                     | SERIAL NO.<br>FROM | NOTES:    |
|-----|----------|-----|---------------------------------|--------------------|-----------|
| 1   | 39628    | 1   | HOSE, VAC 3.5 OD X 17"          |                    |           |
| 2   | 80651    | 1   | CLAMP, HOSE WORM DRIVE 2.7-3.7" |                    |           |
| 3   | 830944   | REF | HOUSING ASM, W/S BYPASS         |                    | WAS 80395 |
| 4   | 80752    | 1   | IMPELLER, MACHINED              |                    |           |
| 5   | 80678    | 1   | HOUSING, IMPELLER               |                    |           |
| 6   | 80398    | 2   | BAR, IMPELLER RETAINER          |                    |           |
| 7   | 80392    | 1   | PLATE, IMPELLER BACK            |                    |           |
| 8   | 09081    | 2   | BEARING, BALL .66 BORE 2 SEALS  |                    |           |
| 9   | 80386    | 1   | WELDMENT, IMPELLER ARM          |                    |           |
| 10  | 80397    | 1   | TUBE, IMPELLER BEARING SPACER   |                    |           |
| 11  | 48050    | 1   | KEY, 1/8 X 1/8 X 3/4            |                    |           |
| 12  | 80396    | 1   | SHAFT, IMPELLER                 |                    |           |
| 13  | 80701    | 1   | KEY, WOODRUFF 1/8" X 1/2" #404  |                    |           |
| 14  | 64078    | 1   | PULLEY, IMPELLER DRIVE          |                    |           |
| 15  | 80391    | 1   | CHANNEL, IMPELLER MOUNT         |                    |           |
| 16  | 80675    | 1   | PIN, CLEVIS 1/2" X 3.5"L PLTD   |                    |           |
| 17  | 80607    | 1   | COTTER, 1/2" RING               |                    |           |
| 18  | 80400    | 1   | ROD, IMPELLER ADJUST            |                    |           |
| 19  | 80399    | 1   | PLATE, IMPELLER ADJUST          |                    |           |
| 20  | 80860    | 1   | GUARD, BELT MACHINED            |                    |           |

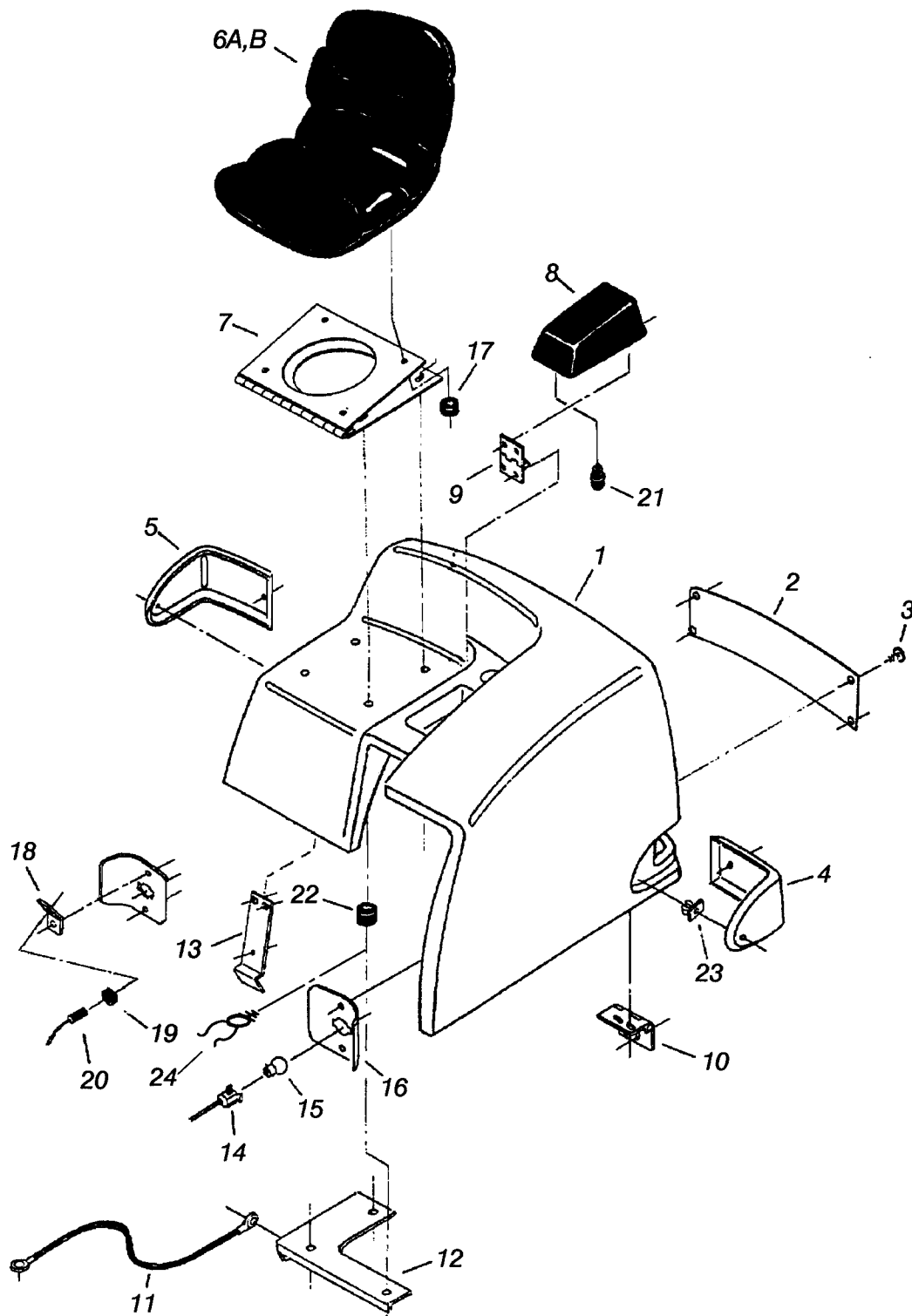
# IMPELLER GROUP (WET SWEEP BYPASS)



## IMPELLER GROUP (WET SWEEP BYPASS)

| REF | PART NO. | QTY | DESCRIPTION               | SERIAL NO.<br>FROM | NOTES: |
|-----|----------|-----|---------------------------|--------------------|--------|
| 1   | 830942   | 1   | SPRING, EXT .44 OD X 2.25 |                    |        |
| 2   | 73886    | 1   | SWIVEL, SOLUTION CABLE    |                    |        |
| 3   | 830945   | 1   | SHAFT ASM, W/S BYPASS     |                    |        |
| 4   | 09082    | 2   | BEARING, 3/8"             |                    |        |
| 5   | 830944   | 1   | HOUSING ASM, W/S BYPASS   |                    |        |
| 6   | 57026    | 2   | NUT, 8-32 HEX NYLOCK SS   |                    |        |
| 7   | 70174    | 2   | SCR, 8-32 X 5/8 PPHMS SS  |                    |        |
| 8   | 830868   | 1   | PLATE, W/S BYPASS         |                    |        |
| 9   | 830941   | 1   | CABLE, W/S BYPASS         |                    |        |
| 10  | 500768   | 1   | LABEL, W/S BYPASS         |                    |        |

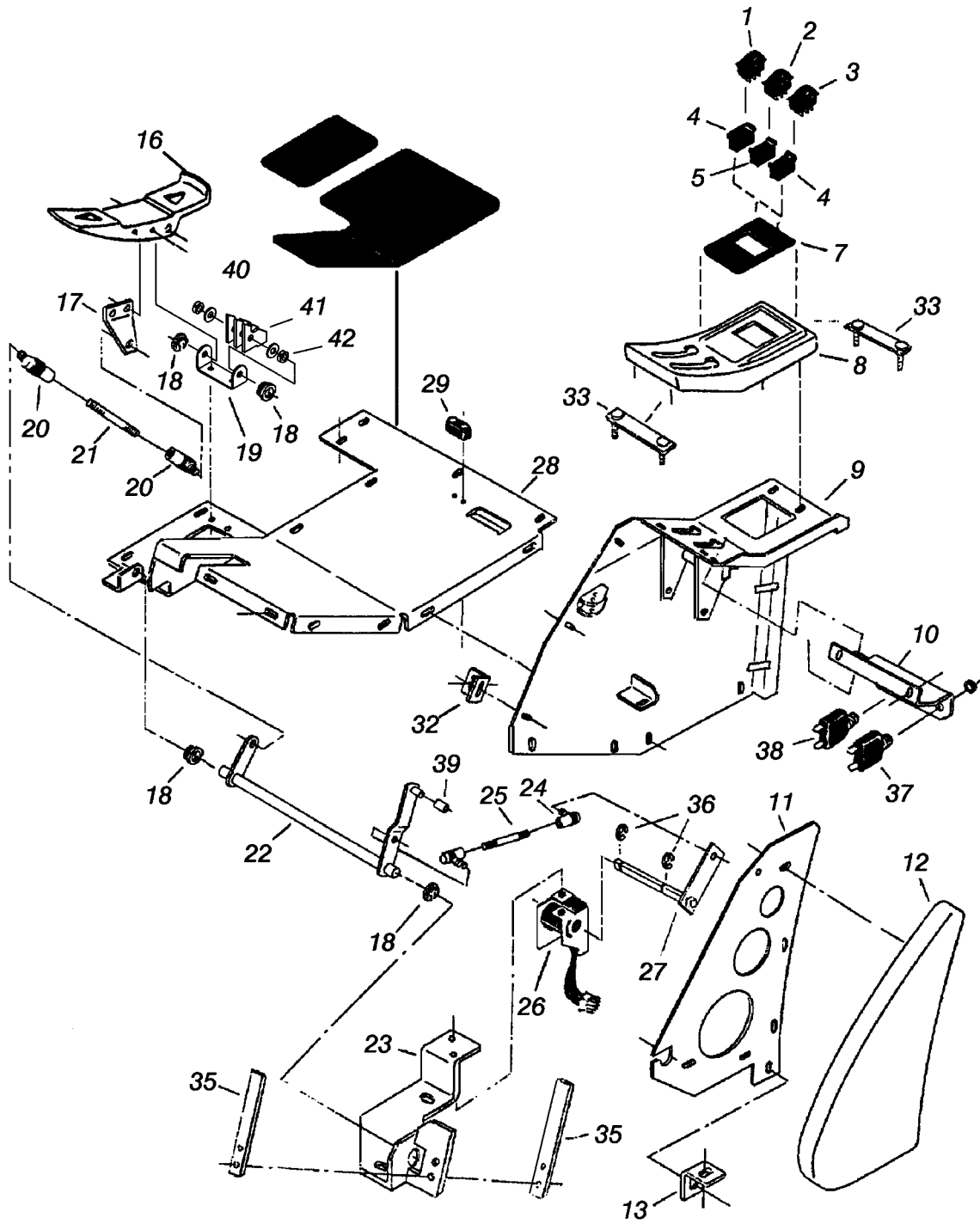
# REAR CLIP GROUP



## REAR CLIP GROUP

| REF | PART NO. | QTY | DESCRIPTION                         | SERIAL NO.<br>FROM | NOTES:            |
|-----|----------|-----|-------------------------------------|--------------------|-------------------|
| 1   | 270008   | 1   | REAR CLIP, RIDER MACHINED           |                    | WAS 80240, LT GRY |
| 2   | 80700    | 1   | LABEL, OVERLAY                      |                    |                   |
| 3   | 80699    | 4   | CLIP, CHRISTMAS TREE 3/4 DIA        |                    |                   |
| 4   | 80280R   | 1   | LENS, TAILLIGHT LEFT                |                    |                   |
| 5   | 80279R   | 1   | LENS, TAILLIGHT RIGHT               |                    |                   |
| 6A  | 730109   | 1   | SEAT, SUPER SUBURBAN GRY CLOTH      |                    | WAS 80681         |
| 6B  | 82999    | REF | SEAT, SUPER SUBURBAN BLK VINYL      |                    |                   |
| 7   | 80565    | 1   | WELDMENT, SEAT MOUNT                |                    |                   |
| 8   | 80547    | 1   | COVER, GLOVE BOX MACHINED           |                    |                   |
| 9   | 41261    | 1   | HINGE, REAR CLIP                    |                    |                   |
| 10  | 41259    | 2   | HINGE, REAR CLIP                    |                    |                   |
| 11  | 80367    | 1   | CABLE, .13 X 40.2 0719 GS NO E-E    |                    |                   |
| 12  | 80739    | 1   | MOUNT, CABLE CLIP                   |                    |                   |
| 13  | 80434    | 1   | PLATE, CLIP RETAINER                |                    |                   |
| 14  | 80679    | 2   | SOCKET, TAIL LT DOUBLE CONTACT      |                    |                   |
| 15  | 80680    | 2   | BULB, TAILLIGHT 36 VDC              |                    |                   |
| 16  | 80323    | 2   | PLATE, TAILLIGHT                    |                    |                   |
| 17  | 80809    | 2   | BUMPER, RUBBER 5/16"ID X 1.50       |                    |                   |
| 18  | 80832    | 1   | BAR, SAFETY SWITCH MOUNT            |                    |                   |
| 19  | 80690    | 1   | GROMMET, INSULATION 1/2"            |                    |                   |
| 20  | 80833    | 1   | SWITCH, MERCURY TILT .5A 120DC      |                    |                   |
| 21  | 80837    | 1   | LATCH, BALL                         |                    |                   |
| 22  | 80835    | 3   | SPACER, .32 ID X .71 OD X .79 L NYL |                    |                   |
| 23  | 80836    | 2   | FASTENER, PANEL                     |                    |                   |
| 24  | 80802    | 1   | RETAINER, WIRE TWIST TREE MOUNT     |                    |                   |

# CONSOLE GROUP

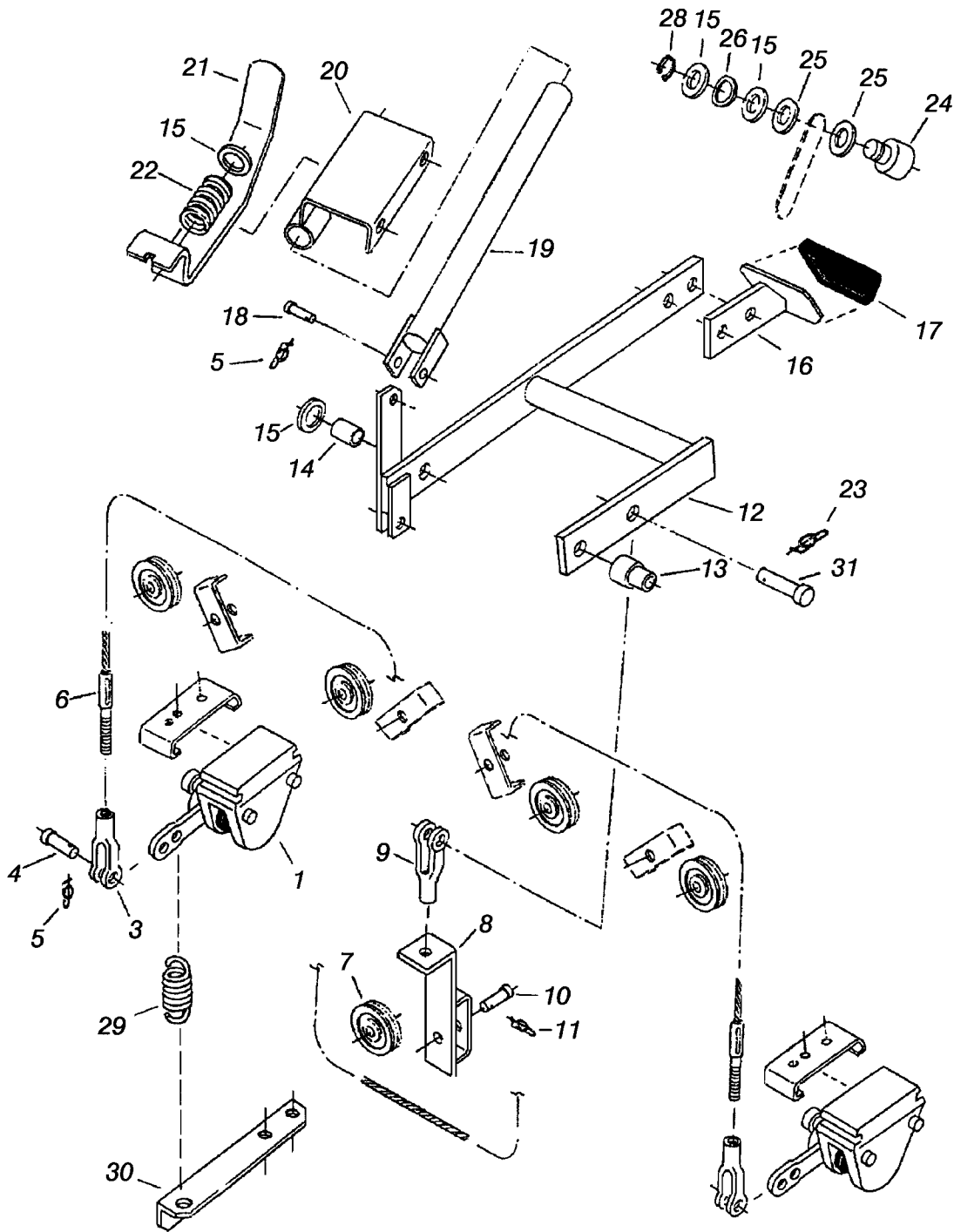


## CONSOLE GROUP

| REF | PART NO. | QTY | DESCRIPTION                       | SERIAL NO.<br>FROM | NOTES:            |
|-----|----------|-----|-----------------------------------|--------------------|-------------------|
| 1   | 72129    | 1   | SWITCH, SPDT 3-POSITION ROCKER    |                    |                   |
| 2   | 72128    | 1   | SWITCH, DPDT 2-POSITION ROCKER    |                    |                   |
| 3   | 72127    | 1   | SWITCH, SPST 2-POSITION ROCKER    |                    |                   |
| 4   | 80693    | 2   | BEZEL, SWITCH MOUNTING END        |                    |                   |
| 5   | 80694    | 1   | BEZEL, SWITCH MOUNTING CENTER     |                    |                   |
| 6   | 80776    | 1   | SWITCH, SPDT ROLLER DRIP-PROOF    |                    |                   |
| 7   | 80529    | 1   | DECAL, PANEL SWEEPER              |                    |                   |
| 8   | 80271    | 1   | PANEL, SWITCH MACHINED            |                    |                   |
| 9   | 80241    | 1   | WELDMENT, SIDE PANEL              |                    |                   |
| 10  | 80736    | 1   | PLATE, CIRCUIT BREAKER MOUNT      |                    |                   |
| 11  | 81469    | 1   | PLATE, PANEL BACK                 |                    |                   |
| 12  | 61409    | 1   | PANEL, CLIP FILLER                |                    | WAS 80256, LT GRY |
| 13  | 80258    | 1   | ANGLE, MOUNTING TAB LOWER         |                    |                   |
| 14  | 70494    | 1   | SCR, 3/8-16 X 4.5" HHCS GR5       |                    |                   |
| 15  | 57119    | 1   | NUT, 3/8-16 HEX NYLOCK            |                    |                   |
| 16  | 80259    | 1   | PEDAL, FWD/REV                    |                    |                   |
| 17  | 80542    | 1   | PLATE, FWD/REV ARM                |                    |                   |
| 18  | 09082    | 4   | BEARING, 3/8" FLANGED NYL         |                    |                   |
| 19  | 80260    | 1   | CHANNEL, PEDAL MOUNT              |                    |                   |
| 20  | 80697    | 2   | BALL JOINT ASM, 3/8-24 RH         |                    |                   |
| 21  | 80543    | 1   | ROD, FOOT PEDAL ARM               |                    |                   |
| 22  | 80262    | 1   | WELDMENT, FWD/REV ROD SWEEPER     |                    |                   |
| 23  | 80753    | 1   | WELDMENT, THROTTLE MOUNT          |                    |                   |
| 24  | 80696    | 2   | BALL JOINT ASM, 1/4"              |                    |                   |
| 25  | 80757    | 1   | ROD, THROTTLE                     |                    |                   |
| 26  | 80695    | 1   | THROTTLE, ELECTRONIC CONTROL      |                    |                   |
| 27  | 80545    | 1   | WELDMENT, SWPR THROTTLE ARM       |                    |                   |
| 28  | 80245    | 1   | WELDMENT, FLOOR ASM               |                    |                   |
| 29  | 80698    | 1   | BUMPER, RUBBER 2 HOLE MOUNT       |                    |                   |
| 30  | 80765    | 1   | PAD, FLOOR                        |                    |                   |
| 31  | 80766    | 1   | PAD, STEP                         |                    |                   |
| 32  | 80248    | 3   | ANGLE, MOUNTING                   |                    |                   |
| 33  | 80769    | 2   | BAR, PANEL RETAINER               |                    |                   |
| 34  | OPEN     | -   | -                                 |                    |                   |
| 35  | 80770    | 2   | SPRING, FLAT 3/4"W X 7.75"L       |                    |                   |
| 36  | 80826    | 2   | RING, RET EXTERNAL 7/32" E-RING   |                    |                   |
| 37  | 80847    | 1   | BREAKER, CIRCUIT 15 AMP           |                    |                   |
| 38  | 80848    | 5   | BREAKER, CIRCUIT 10 AMP           |                    |                   |
| 39  | 80775    | 1   | TUBING, ISOLATOR 3/8 ID X 1.0 PVC |                    |                   |



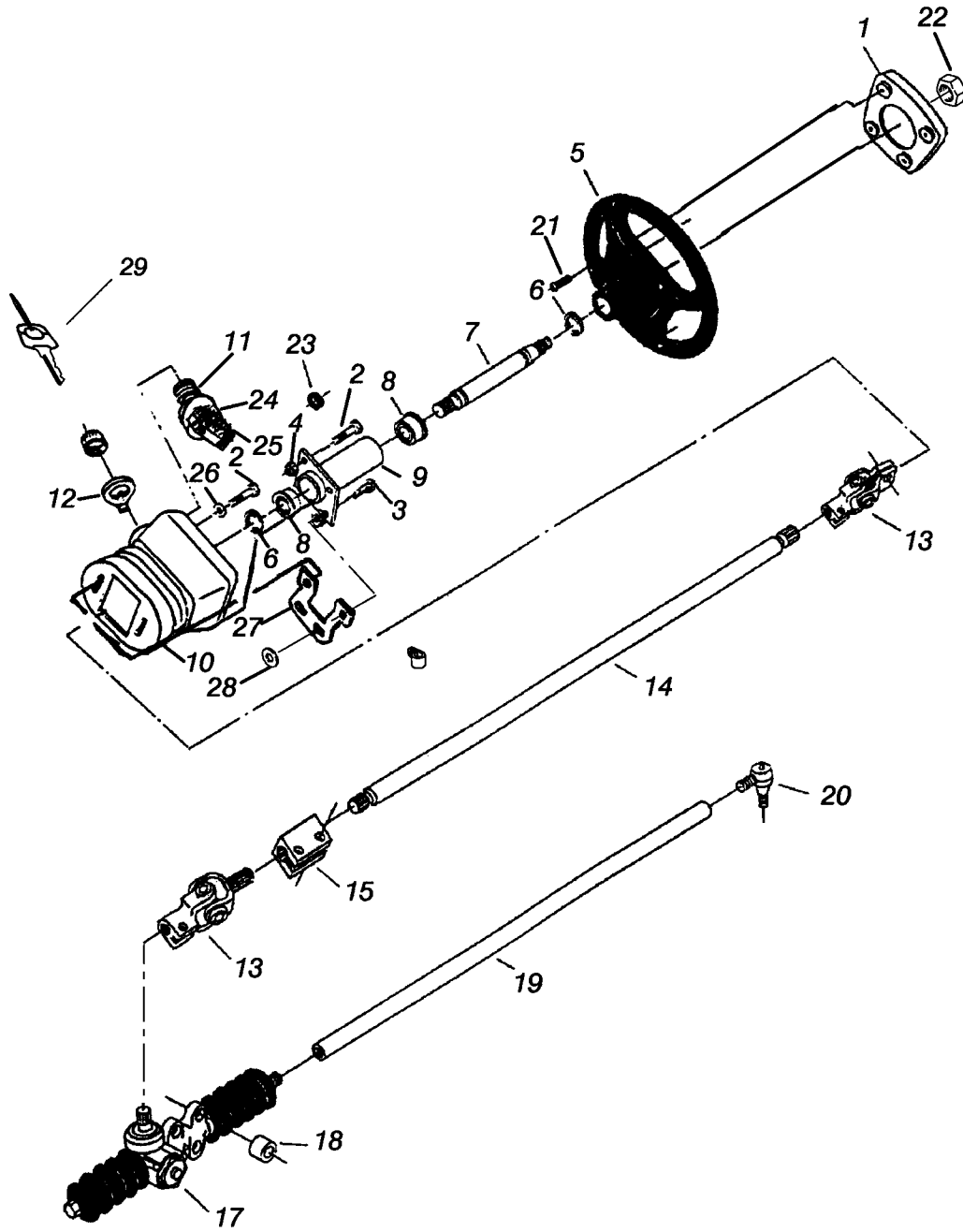
# BRAKE GROUP



**BRAKE GROUP**

| REF | PART NO. | QTY | DESCRIPTION                         | SERIAL NO.<br>FROM | NOTES: |
|-----|----------|-----|-------------------------------------|--------------------|--------|
| 1   | 80601    | 2   | CALIPER, BRAKE 3 O'CLOCK CCW        |                    |        |
| 2   | OPEN     | -   | -                                   |                    |        |
| 3   | 80603    | 2   | CLEVIS, 1/4" YOKE END 1/4-28        |                    |        |
| 4   | 80771    | 2   | PIN, CLEVIS 1/4 X 7/8               |                    |        |
| 5   | 80604    | 3   | COTTER, 1/4" RING                   |                    |        |
| 6   | 80237    | 1   | CABLE, .13 X 38.6 0719 GS NO M-M    |                    |        |
| 7   | 80608    | 5   | PULLEY, PLASTIC 1.95 DIA            |                    |        |
| 8   | 80236    | 1   | WELDMENT, BRAKE PULLEY MOUNT        |                    |        |
| 9   | 80610    | 1   | CLEVIS, 3/8" YOKE END 3/8-24        |                    |        |
| 10  | 80609    | 1   | PIN, CLEVIS 5/16" X 1.12" PLTD      |                    |        |
| 11  | 80605    | 1   | COTTER, 5/16" RING                  |                    |        |
| 12  | 80228    | 1   | WELDMENT, BRAKE ARM                 |                    |        |
| 13  | 80234    | 1   | SPACER, BRAKE                       |                    |        |
| 14  | 80102    | 1   | SPACER, .500 OD X .391 ID X .400    |                    |        |
| 15  | 80616    | 4   | WASHER, .519 ID X .88 OD X .06 PLTD |                    |        |
| 16  | 80425    | 1   | WELDMENT, BRAKE PEDAL               |                    |        |
| 17  | 80611    | 1   | PAD, BRAKE PEDAL                    |                    |        |
| 18  | 80612    | 4   | PIN, CLEVIS 1/4" X 1.0" PLTD        |                    |        |
| 19  | 80614    | 1   | WELDMENT, PARKING BRAKE ROD         |                    |        |
| 20  | 80227    | 1   | WELDMENT, PARKING BRAKE LOCK        |                    |        |
| 21  | 80223    | 1   | BAR, PARKING BRAKE LOCK             |                    |        |
| 22  | 80635    | 1   | SPRING, COMP .72D X .88L X .080W    |                    |        |
| 23  | 80606    | 1   | COTTER, 3/8" RING                   |                    |        |
| 24  | 80225    | 1   | BUTTON, PARKING BRAKE               |                    |        |
| 25  | 80613    | 2   | WASHER, .506 ID X .94D X .064 NYL   |                    |        |
| 26  | 87140    | 1   | WASHER, WAVE 1/2 ID X 3/4D X .125   |                    |        |
| 27  | OPEN     | -   | -                                   |                    |        |
| 28  | 67132    | 1   | RING, 1/2 EXT SNAP H-D              |                    |        |
| 29  | 80804    | 2   | SPRING, EXT .75D X 2.50L X .093W    |                    |        |
| 30  | 80594    | 2   | ANGLE, SPRING MOUNT                 |                    |        |
| 31  | 80806    | 1   | PIN, CLEVIS 3/8" X 1.125"L PLTD     |                    |        |

# STEERING GROUP



## STEERING GROUP

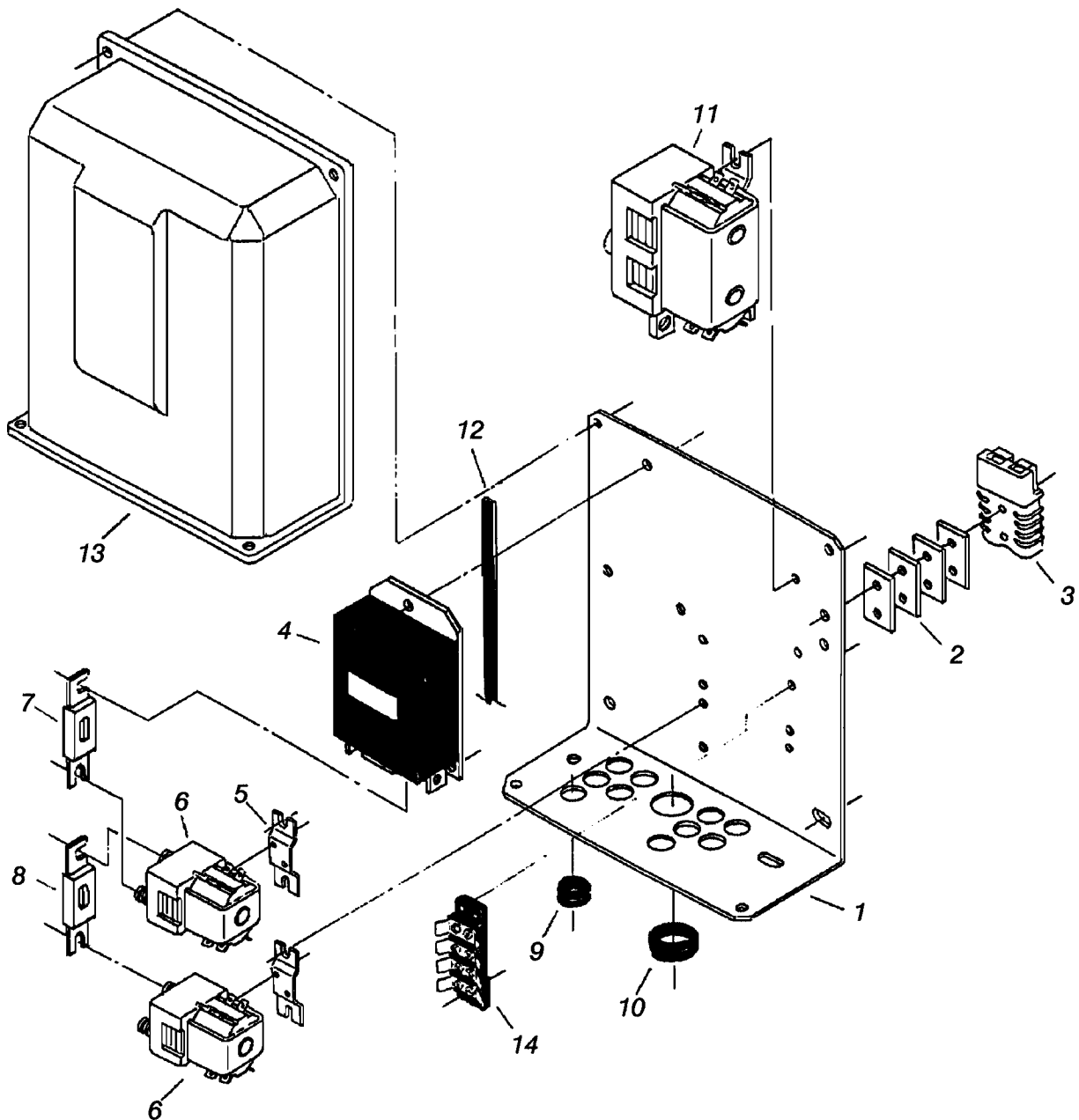
| REF | PART NO. | QTY | DESCRIPTION                        | SERIAL NO.<br>FROM | NOTES: |
|-----|----------|-----|------------------------------------|--------------------|--------|
| 1   | 27748    | 1   | COVER, STEERING WHEEL (MCHND)      |                    |        |
| 2   | 70270    | 4   | SCREW, 1/4-20 X 3/4 HHCS PLTD      |                    |        |
| 3   | 70505    | 2   | SCREW, 1/4-20 X 1 HHCS GR5 PLTD DL |                    |        |
| 4   | 57047    | 4   | NUT, 1/4-20 HEX NYLOCK             |                    |        |
| 5   | 80617R   | 1   | WHEEL, STEERING                    |                    |        |
| 6   | 80623    | 2   | RING, 3/4" EXT SNAP H-D            |                    |        |
| 7   | 80252    | 1   | SHAFT, UPPER STEERING              |                    |        |
| 8   | 09072    | 2   | BEARING, 3/4" BORE FLANGED         |                    |        |
| 9   | 80249    | 1   | WELDMENT, STEERING TUBE ASM        |                    |        |
| 10  | 80272    | 1   | COVER, STEERING COLMN. (MCHND)     |                    |        |
| 11  | 02125    | 1   | SWITCH, MAIN ROTARY KEY            |                    |        |
| 12  | 80747    | 1   | RETAINER, IGNITION SWITCH          |                    |        |
| 13  | 80619    | 2   | UNIVERSAL JOINT ASM                |                    |        |
| 14  | 80253    | 1   | SHAFT, LOWER STEERING              |                    |        |
| 15  | 80254    | 1   | COUPLING, STEERING                 |                    |        |
| 16  | OPEN     | -   | -                                  |                    |        |
| 17  | 80618    | 1   | STEERING BOX ASM                   |                    |        |
| 18  | 80329    | 3   | SPACER, RACK                       |                    |        |
| 19  | 80124    | 1   | ROD, STEERING LINK                 |                    |        |
| 20  | 80625    | 1   | TIEROD END, LH 1/2-20 UNF-2A       |                    |        |
| 21  | 70353    | 4   | SCREW, 10-32 X 3/4 SHCS SS         |                    |        |
| 22  | 57228    | 1   | NUT, 5/8-18 HEX NYLOCK THIN        |                    |        |
| 23  | 80690    | 1   | GROMMET, INSULATION 1/2"           |                    |        |
| 24  | 72088    | 1   | SWITCH, CONTACT BLOCK CLIP         |                    |        |
| 25  | 72089    | 2   | SWITCH, CONTACT MODULE N.O.        |                    |        |
| 26  | 87013    | 2   | WASHER, 1/4 ID X 5/8 OD SS         |                    |        |
| 27  | 81474    | 1   | PLATE, SLIDER                      |                    |        |
| 28  | 81429    | 2   | NUT, PLASTIC LOCK 1/4-20           |                    |        |
| 29  | 82488    | 1   | KEY, 36V ROTARY IGNITION SWITCH    |                    |        |



## REAR SUSPENSION GROUP

| REF | PART NO. | QTY | DESCRIPTION                          | SERIAL NO.<br>FROM | NOTES:       |
|-----|----------|-----|--------------------------------------|--------------------|--------------|
| 1   | 80596    | 2   | HUBCAP, GREASE CAP ZINC PLTD         |                    |              |
| 2A  | 80593    | 2   | TIRE/RIM ASM, PNEUMATIC              |                    |              |
| 2B  | 82422    | 2   | TIRE/RIM ASM, FOAM FILLED            |                    | SERVICE ONLY |
| 3   | 87174    | 6   | WASHER, .391ID X .625 OD X .06T PLTD |                    |              |
| 4   | 80597    | 8   | NUT, LUG WHEEL 12MM-1.25 PITCH       |                    |              |
| 5   | 09147    | 2   | BEARING, BALL 30MM X 55MM W/ SR      | *                  |              |
| 6   | 80598    | 2   | NUT, 3/4-16 SLOTTED GR2 PLTD         |                    |              |
| 7   | 66243    | 2   | PIN, COTTER 1/8" X 1.5" L PLTD       |                    |              |
| 8   | 09071    | 2   | BEARING, .9843"ID X 2.0472"OD        | *                  | QTY WAS 4    |
| 9   | 80028    | 2   | HUB, STEERING WHEEL PAINTED          |                    |              |
| 10  | 80599    | 8   | STUD, WHEEL                          |                    |              |
| 11  | 80021    | 1   | AXLE, STEERING RIGHT HAND            |                    |              |
| 12  | 80022    | 1   | AXLE, STEERING LEFT HAND             |                    |              |
| 13  | 09074    | 4   | BEARING, FIBER 3/4"ID X 3/4"L        |                    |              |
| 14  | 80627    | 4   | WASHER, .75ID X 1.5OD FIBERGLIDE     |                    |              |
| 15  | 80025    | 2   | PIN, FORK                            |                    |              |
| 16  | 80623    | 4   | RING, 3/4" EXT SNAP H-D              |                    |              |
| 17  | 80007    | 1   | BEAM, STEERING                       |                    |              |
| 18  | 80622    | 2   | BLOCK, STABILIZER                    |                    |              |
| 19  | 81291    | 1   | PIN, BEAM PIVOT THREADED             |                    |              |
| 20  | 80628    | 2   | WASHER, THRUST 1"ID X 2"OD           |                    |              |
| 21  | 09073    | 2   | BEARING, FIBER 1"ID X 1.5"L          |                    |              |
| 22  | 80634    | 1   | WASHER, 1.015ID X 1.5"D X .055T      |                    |              |
| 23  | 80664    | 1   | NUT, 3/4-16 HEX NYLOCK               |                    |              |
| 24  | 80019    | 1   | SUPPORT, PITMAN ARM                  |                    |              |
| 25  | 80016    | 1   | WELDMENT, PITMAN ARM ASM             |                    |              |
| 26  | 09075    | 4   | BEARING, FIBER 5/8"ID X 3/4"L        |                    |              |
| 27  | 80629    | 3   | WASHER, THRUST 5/8ID X 1.25"OD       |                    |              |
| 28  | 80624    | 3   | TIE ROD END, RH 1/2-20 UNF-2A        |                    |              |
| 29  | 80026    | 1   | ROD, CONNECTING LINK                 |                    |              |
| 30  | 80625    | 3   | TIE ROD END, LH 1/2-20 UNF-2A        |                    |              |
| 31  | 80027    | 2   | ROD, TIE                             |                    |              |
| 32  | 80012    | 1   | WELDMENT, PITMAN IDLER               |                    |              |
| 33  | 80633    | 1   | WASHER, .634ID X 1.407D X .09T       |                    |              |
| 34  | 67104    | 1   | RING, 5/8 EXT SNAP H-D PLTD          |                    |              |
| 35  | 80640    | 6   | NUT, SLOTTED 3/8-24 PLTD             |                    |              |
| 36  | 66244    | 6   | PIN, COTTER 3/32" X 3/4"L PLTD       |                    |              |
| 37  | 70126    | 2   | SET SCR, 1/4-28 X 1/4 KCP NP         |                    |              |
| 38  | 70524    | 4   | SET SCR, 3/8-16 X 1.0 SH KCPDL       |                    |              |
| 39  | 87083    | 2   | WASHER, 5/16 SPLIT LOCK PLTD         |                    |              |
| 40  | 70495    | 2   | SCR, 5/16-24 X 1 SHCS PLTD           |                    |              |
| 41  | 57221    | 5   | NUT, 1/2-20 HEX JAM PLTD             |                    |              |
| 42  | 57222    | 3   | NUT, 1/2-20 HEX LH JAM PLTD          |                    |              |
| 43  | 70512    | 2   | SCR, 1/2-20 X 1.25 HHCS GR5 PLTD     |                    |              |
| 44  | 62566    | 2   | PLATE, WHEEL HUB SHIM                |                    |              |

# ELECTRICAL GROUP

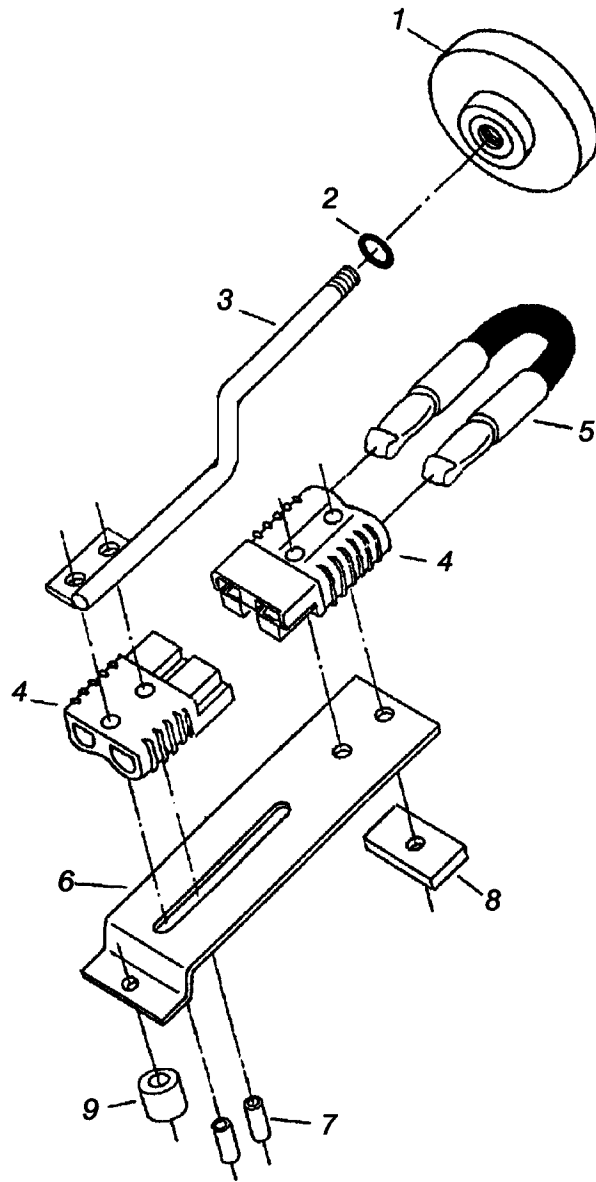


## ELECTRICAL GROUP

| REF | PART NO. | QTY | DESCRIPTION                           | SERIAL NO.<br>FROM | NOTES: |
|-----|----------|-----|---------------------------------------|--------------------|--------|
| 1   | 80404    | 1   | PLATE, ELECTRONICS                    |                    |        |
| 2   | 80574    | 4   | BAR, SPACER                           |                    |        |
| 3   | 80682    | 1   | CONNECTOR, BATTERY GRY 175AMP         |                    |        |
| 4   | 80685    | 1   | CONTROLLER, MOTOR SPEED               |                    |        |
| 5   | 80692    | 2   | MOUNT, CONTACTOR                      |                    |        |
| 6   | 80686    | 2   | RELAY, CONTACTOR                      |                    |        |
| 7   | 80687    | 1   | FUSE, 125 AMP                         |                    |        |
| 8   | 80688    | 1   | FUSE, 80 AMP                          |                    |        |
| 9   | 80690    | 10  | GROMMET, INSULATION 1/2"              |                    |        |
| 10  | 81427    | 1   | GROMMET, 1.703 ID X 2.5 OD X .125 GRV |                    |        |
| 11  | 80691    | 1   | RELAY, CONTACTOR FWD/REV              |                    |        |
| 12  | 35147    | 1   | GASKET, FOAM 1/8" X 3/8" X 62"L       |                    |        |
| 13  | 80405    | 1   | COVER, ELECTRONICS                    |                    |        |
| 14  | 80834    | 1   | TERM, STRIP 8-POSITION 1/4"           |                    |        |



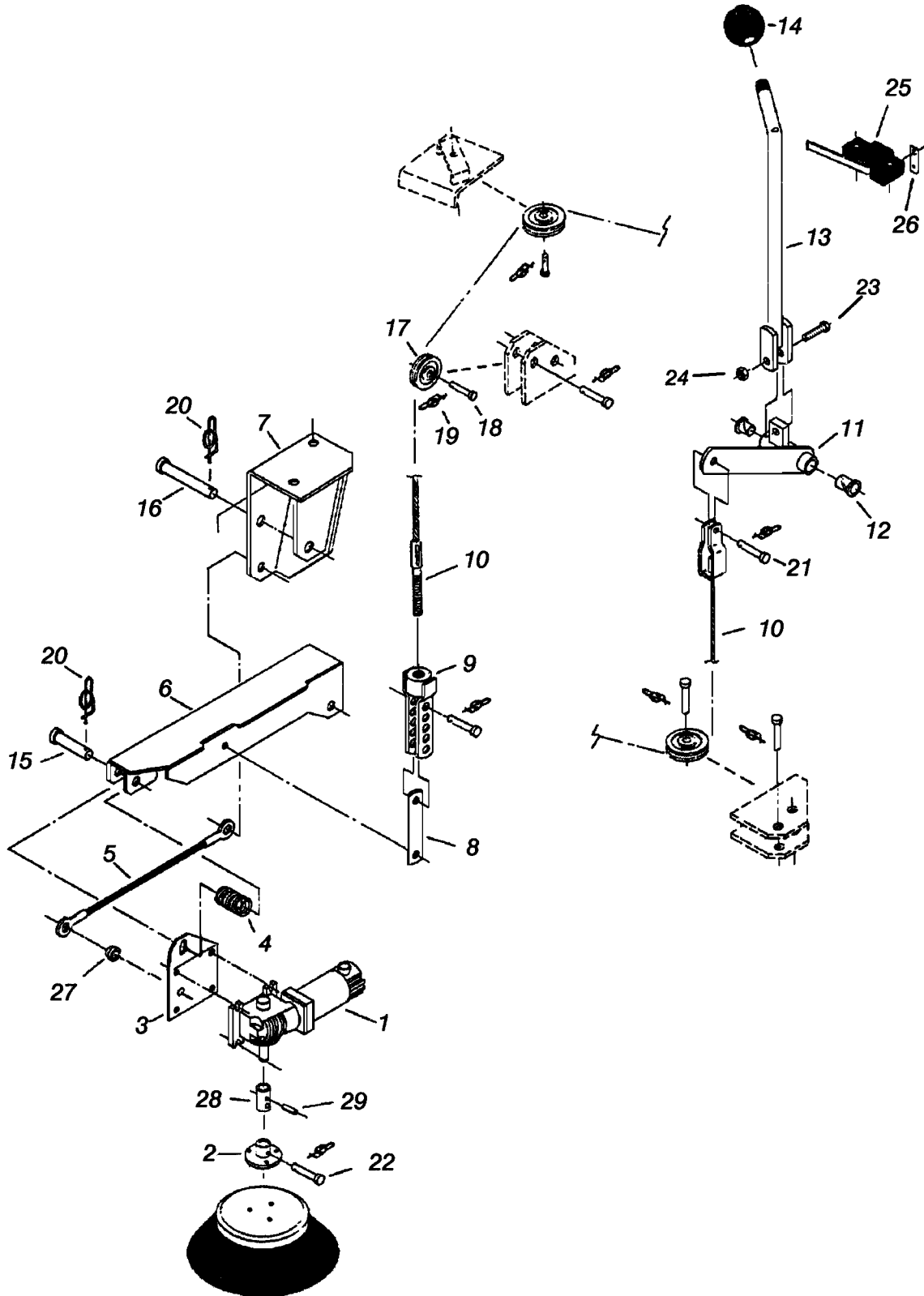
# SAFETY SWITCH GROUP



## **SAFETY SWITCH GROUP**

| REF | PART NO. | QTY | DESCRIPTION                      | SERIAL NO.<br>FROM | NOTES: |
|-----|----------|-----|----------------------------------|--------------------|--------|
| 1   | 80684    | 1   | KNOB, STOP RED 3/8-16 F-INSERT   |                    |        |
| 2   | 80683    | 1   | WASHER, NEOPRENE 3/8"ID X 1 X .1 |                    |        |
| 3   | 80577    | 1   | WELDMENT, SAFETY SWITCH SWPR     |                    |        |
| 4   | 80682    | 2   | CONNECTOR, BATTERY GRY 175AMP    |                    |        |
| 5   | 80774    | 1   | WIRE, 8.91" RED 4GA 76125 (2X)   |                    |        |
| 6   | 80356    | 1   | PLATE, SAFETY SWITCH             |                    |        |
| 7   | 80360    | 2   | TUBE, SAFETY SWITCH SPACER       |                    |        |
| 8   | 80357    | 1   | BAR, SAFETY SWITCH               |                    |        |
| 9   | 80659    | 1   | TUBE, SAFETY SWITCH MOUNT        |                    |        |

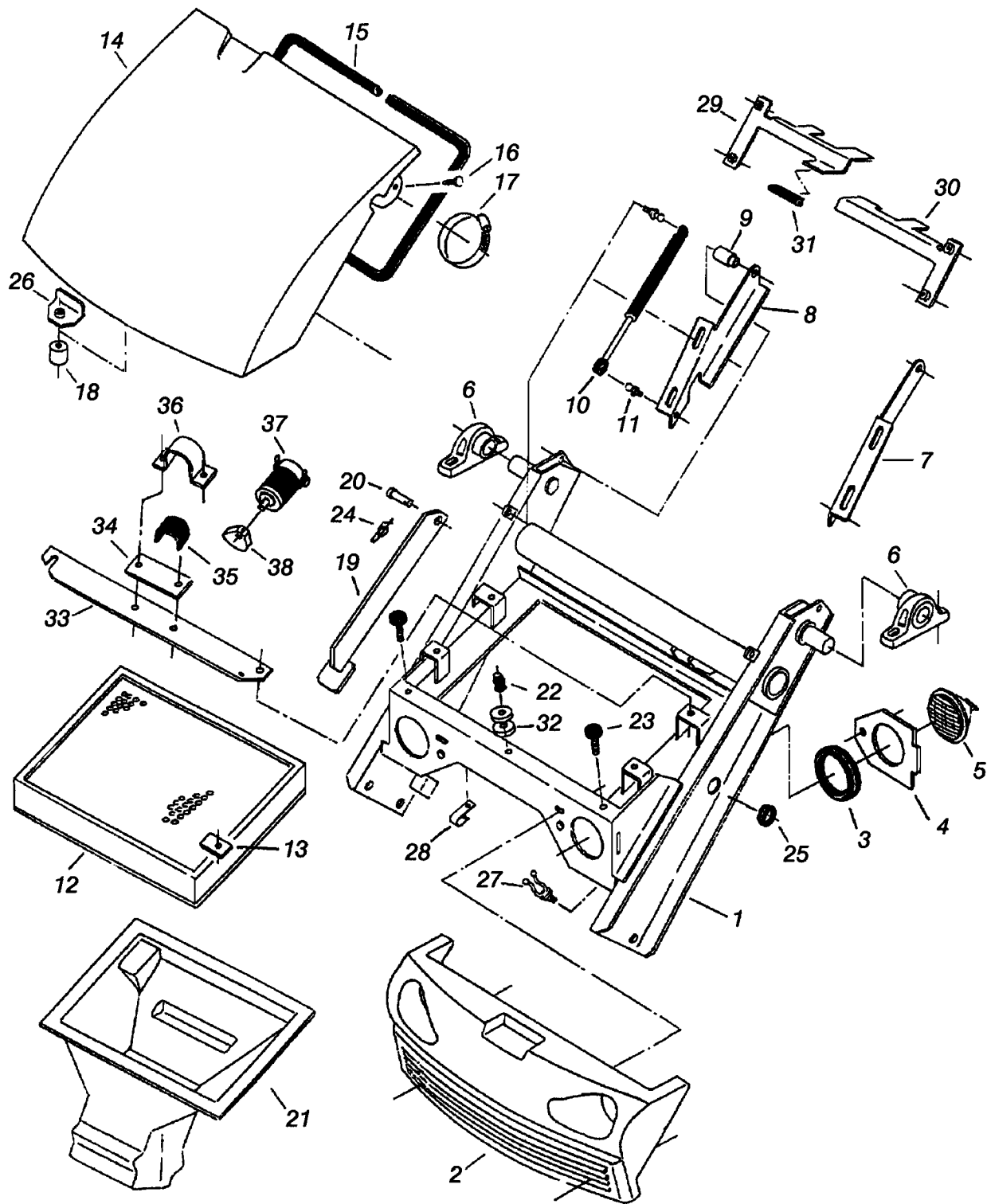
# SIDE BROOM GROUP



## SIDE BROOM GROUP

| REF | PART NO. | QTY | DESCRIPTION                         | SERIAL NO.<br>FROM | NOTES:       |
|-----|----------|-----|-------------------------------------|--------------------|--------------|
| 1   | 53594    | 1   | MOTOR, GEAR REDUCTION 36 VDC        |                    |              |
| 2   | 80800    | 1   | WELDMENT, SIDE BROOM HUB            |                    |              |
| 3   | 80730    | 1   | PLATE, SIDE BROOM MOTOR MOUNT       |                    |              |
| 4   | 80789    | 1   | SPRING, COMP .97 D X 1.0 L X .115 W |                    |              |
| 5   | 80735    | 1   | CABLE, .16 X 11.9 0719 GS NO E-E    |                    |              |
| 6   | 80719    | 1   | WELDMENT, SIDE BROOM ARM            |                    |              |
| 7   | 80723    | 1   | WELDMENT, SIDE BROOM MOUNT          |                    |              |
| 8   | 80729    | 1   | BAR, S-BROOM ADJUSTMENT LINK        |                    |              |
| 9   | 80726    | 1   | WELDMENT, S-BROOM ADJUSTMENT        |                    |              |
| 10  | 80733    | 1   | CABLE, .13 X 57.5 GS NO E-M         |                    |              |
| 11  | 80714    | 1   | WELDMENT, S-BROOM LIFT PIVOT        |                    |              |
| 12  | 80815    | 2   | BEARING, FLANGED 3/8" ID 11/16"     |                    |              |
| 13  | 80717    | 1   | WELDMENT, S-BROOM LIFT LEVER        |                    |              |
| 14  | 80673    | 1   | KNOB, 1/2-13 F-INSERT               |                    |              |
| 15  | 80817    | 1   | PIN, CLEVIS 1/2"D X 2.0"L PLTD      |                    |              |
| 16  | 80818    | 1   | PIN, CLEVIS 1/2"D X 3.75"L PLTD     |                    |              |
| 17  | 80608    | 3   | PULLEY, PLASTIC 1.95 DIA            |                    |              |
| 18  | 80609    | 5   | PIN, CLEVIS 5/16" X 1.12" PLTD      |                    |              |
| 19  | 80605    | 5   | COTTER, 5/16" RING                  |                    |              |
| 20  | 80607    | 2   | COTTER, 1/2" RING                   |                    |              |
| 21  | 80669    | 1   | PIN, CLEVIS 5/16" X 3/4"L PLTD      |                    |              |
| 22  | 80831    | 1   | PIN, CLEVIS 5/16" X 1.75"L PLTD     |                    |              |
| 23  | 70010    | 1   | SCR, 1/4-20 X 1.5 HHCS SS           |                    |              |
| 24  | 57047    | 1   | NUT, 1/4-20 HEX NYLOCK              |                    |              |
| 25  | 80780    | 1   | SWITCH, SPDT LEVER DRIP-PROOF       |                    |              |
| 26  | 80824    | 2   | TERM, STR TAB 1/4" MALE X #6        |                    |              |
| 27  | 80799    | 1   | SPACER, SB CABLE                    |                    |              |
| 28  | 80801    | 1   | TUBE, SB HUB ADAPTER                |                    |              |
| 29  | 66055    | 1   | PIN, ROLL 1/4" X 1.0"L SS           |                    |              |
| 30  | 140339   | REF | BRUSH KIT, 53594                    |                    | SERVICE ONLY |
| 31  | 73940    | REF | SEAL, OUTPUT 53594                  |                    | SERVICE ONLY |

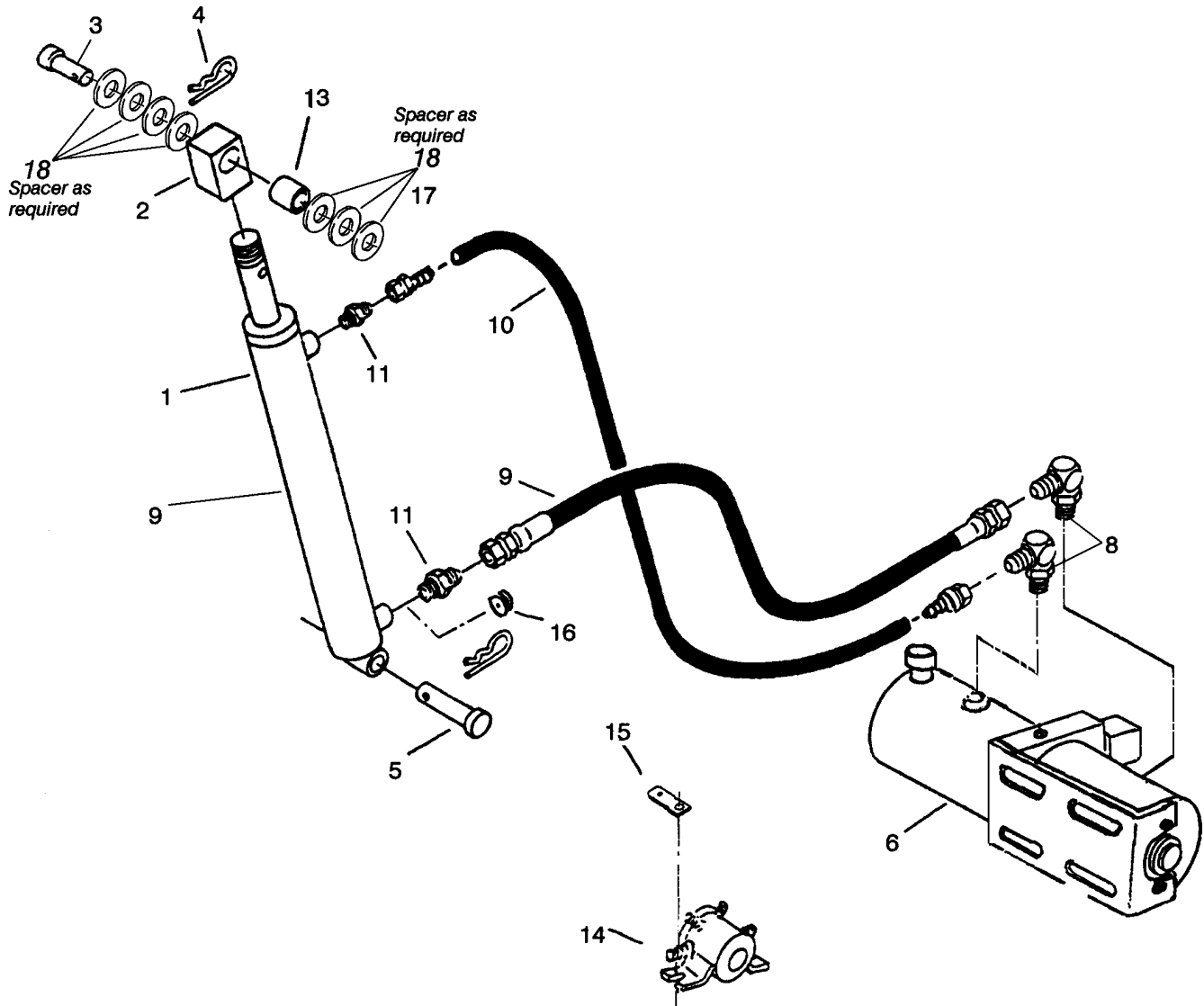
# FILTER GROUP



## FILTER GROUP

| REF | PART NO. | QTY | DESCRIPTION                        | SERIAL NO.<br>FROM | NOTES:            |
|-----|----------|-----|------------------------------------|--------------------|-------------------|
| 1   | 80055    | 1   | WELDMENT, HOPPER LIFT ARMS         |                    |                   |
| 2   | 80269    | 1   | BUMPER, FRONT MACHINED             |                    |                   |
| 3   | 80645    | 2   | BEZEL, HEADLIGHT RUBBER            |                    |                   |
| 4   | 80381    | 2   | PLATE, HEADLIGHT MOUNT             |                    |                   |
| 5   | 80646    | 2   | BULB, 36V 60W SEALED BEAM          |                    |                   |
| 6   | 80647    | 2   | BEARING, PILLOW BLOCK              |                    |                   |
| 7   | 80073    | 2   | ARM, FILTER COVER LEFT             |                    |                   |
| 8   | 80072    | 1   | ARM, FILTER COVER RIGHT            |                    |                   |
| 9   | 80074    | 1   | SPACER, FILTER COVER               |                    |                   |
| 10  | 80648    | 2   | SPRING, GAS 150 NEWTONS            |                    |                   |
| 11  | 80649    | 2   | STUD, BALL GAS SPRING              |                    |                   |
| 12  | 80650    | 4   | FILTER, DUST PANEL                 |                    |                   |
| 13  | 80830    | 1   | BAR, FILTER RETAINER               |                    |                   |
| 14  | 270007   | 1   | COVER, SWEEPER FILTER              |                    | WAS 80071, LT GRY |
| 15  | 35144    | 1   | SEAL, HOPPER COVER BULB 78.25"     |                    |                   |
| 16  | 80805    | 1   | CLIP, TREE .19 HOLE FLAT HEAD      |                    |                   |
| 17  | 80651    | 1   | CLAMP, HOSE WORM DRIVE 2.7-3.7"    |                    |                   |
| 18  | 51214    | 1   | LATCH, FEMALE 6.5LB PULL BLU       |                    |                   |
| 19  | 80568    | 1   | WELDMENT, SAFETY ARM               |                    |                   |
| 20  | 80823    | 1   | PIN, CLEVIS 5/8"D X 1.25"L PLTD    |                    |                   |
| 21  | 80791    | 1   | CHUTE, FILTER MACHINED             |                    |                   |
| 22  | 51215    | 1   | LATCH, MALE BLK 1/4" HD WR         |                    |                   |
| 23  | 80654    | 2   | BUMPER, ADJUSTMENT                 |                    |                   |
| 24  | 80818    | 1   | PIN, CLEVIS 1/2"D X 3.75"L PLTD    |                    |                   |
| 25  | 80807    | 1   | GROMMET, 3/4 ID X 1.38 OD RUBBER   |                    |                   |
| 26  | 80783    | 1   | ANGLE, LATCH RETAINER              |                    |                   |
| 27  | 80802    | 1   | RETAINER, WIRE TWIST TREE MOUNT    |                    |                   |
| 28  | 80744    | 3   | CLIP, WIRE SCREW DOWN              |                    |                   |
| 29  | 80781    | 1   | PLATE, SUPPORT RIGHT               |                    |                   |
| 30  | 80782    | 1   | PLATE, SUPPORT LEFT                |                    |                   |
| 31  | 80795    | 1   | EDGING, 1/8" X 4.0" LONG           |                    |                   |
| 32  | 80819    | 1   | WASHER, .31 ID X 1.175 D X 1/8 NYL |                    |                   |
| 33  | 80797    | 1   | BAR, SHAKER MOUNT                  |                    |                   |
| 34  | 80827    | 1   | BAR, SHAKER SPACER                 |                    |                   |
| 35  | 80828    | 1   | PAD, RETAINER                      |                    |                   |
| 36  | 80796    | 1   | PLATE, SHAKER RETAINER             |                    |                   |
| 37  | 53595    | 1   | MOTOR, 1/13HP PM 36VDC             |                    |                   |
| 38  | 80829    | 1   | WEIGHT, SHAKER MACHINED ASM        |                    |                   |

# HYDRAULIC GROUP

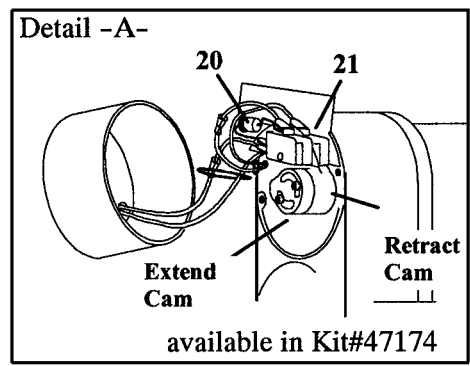
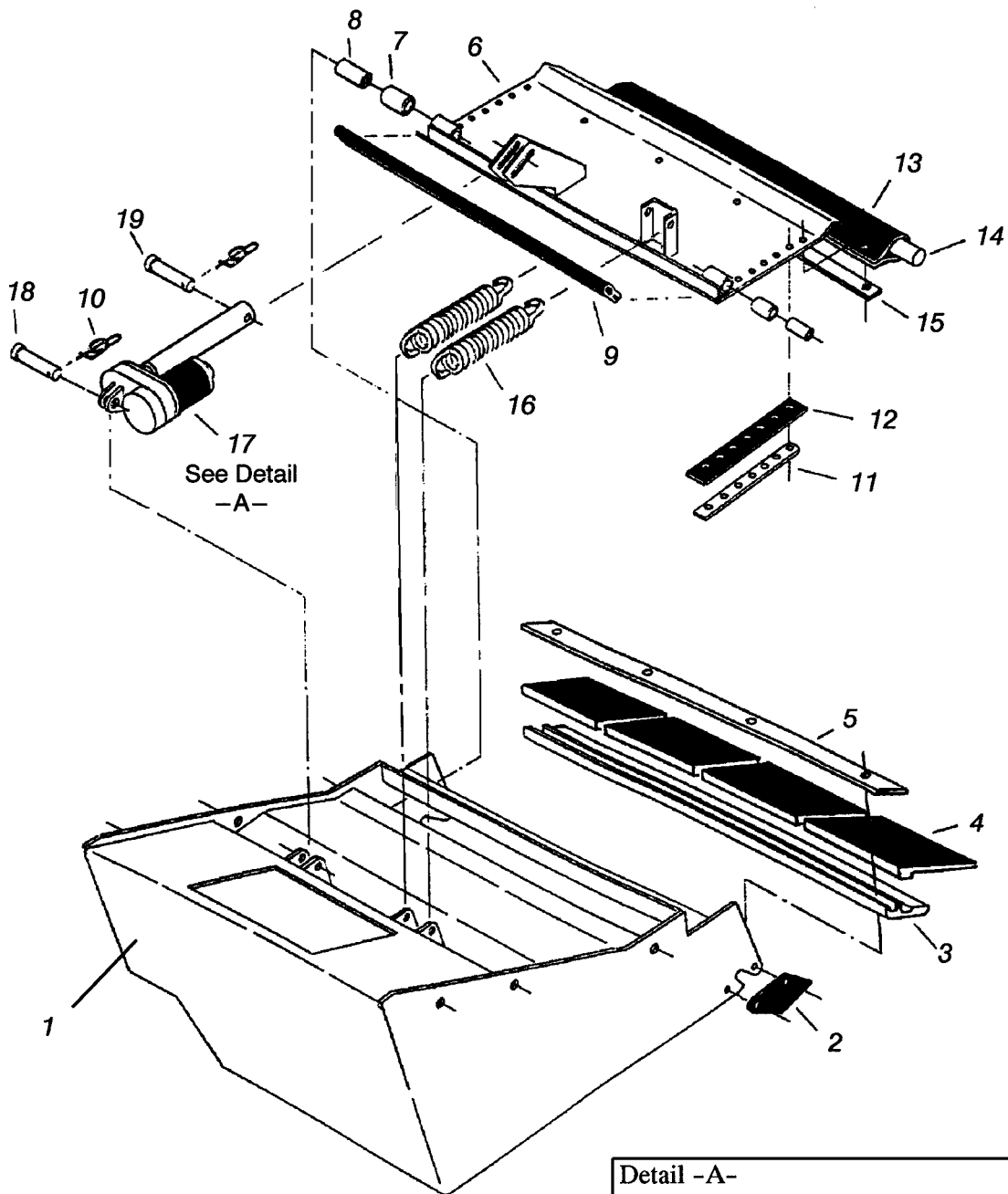


## HYDRAULIC GROUP

| REF | PART NO. | QTY | DESCRIPTION                          | SERIAL NO.<br>FROM | NOTES:       |
|-----|----------|-----|--------------------------------------|--------------------|--------------|
| 1   | 80563    | 1   | CYLINDER, HYDRAULIC 2.00" X 15"      |                    |              |
| 2   | 80265    | 1   | BAR, CYLINDER ADJUSTMENT             |                    |              |
| 3   | 81275    | 1   | PIN, CLEVIS 3/4" X 2-3/4" PLTD       |                    |              |
| 4   | 80657    | 2   | PIN, COTTER HAIR .148" DIA X 3/4     |                    |              |
| 5   | 80656    | 1   | PIN, CLEVIS 3/4" X 3.31 PLTD         |                    |              |
| 6   | 80745    | 1   | PUMP, HYDRAULIC PWR 36VDC            |                    |              |
| 7   | OPEN     | -   | -                                    |                    |              |
| 8   | 80840    | 2   | FITTING, 90° EL 9/16-18 TO #4        |                    |              |
| 9   | 80839    | 1   | HOSE, HYD 1/4 X 4 X 4 X 37.50        |                    |              |
| 10  | 80844    | 1   | HOSE, HYD 1/4" PUSHLOK X 45.00"      |                    |              |
| 11  | 80662    | 2   | FITTING, HYD STR 1/2 O-RING TO #4    |                    |              |
| 12  | OPEN     | -   | -                                    |                    |              |
| 13  | 09077    | 1   | BEARING, FIBER 3/4"ID X 1.25"L       |                    |              |
| 14  | 80822    | 1   | SOLENOID, 36V SPST UL LISTED         |                    |              |
| 15  | 80843    | 2   | TERM, STR TAB 1/4" MALE X #10        |                    |              |
| 16  | 80846    | 1   | RESTRICTOR, HYD .052" ORIFICE        |                    |              |
| 17  | 80842    | 2   | FITTING, HYD HOSE #4 FEM PUSH LOCK   |                    |              |
| 18  | 87173    | 7   | WASHER, .765 ID X 1.31 OD X .09 T SS |                    |              |
| 19  | 82508    | REF | SEAL KIT, HYDRAULIC CYLINDER         |                    | SERVICE ONLY |



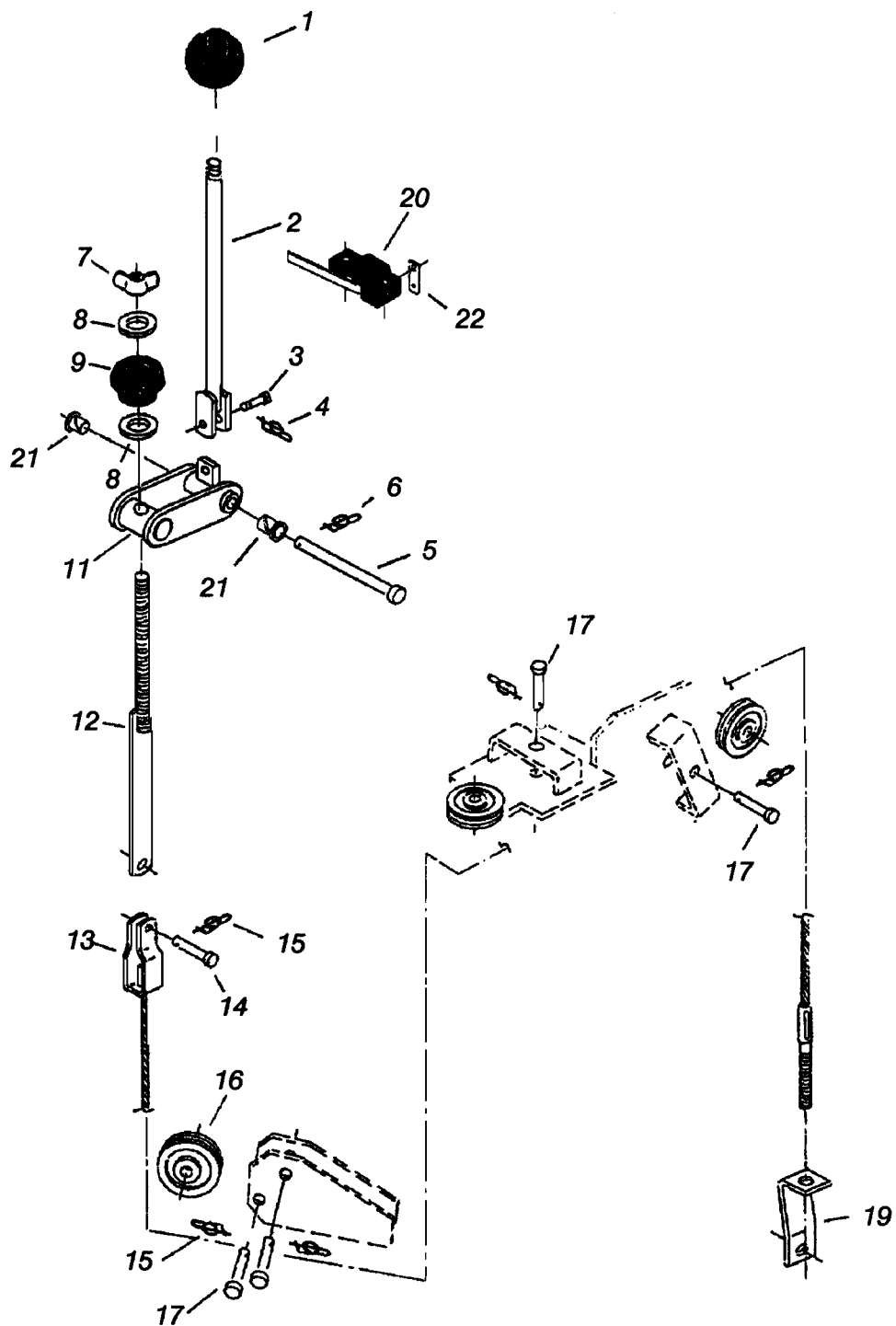
# HOPPER GROUP



## HOPPER GROUP

| REF | PART NO. | QTY | DESCRIPTION                      | SERIAL NO.<br>FROM | NOTES: |
|-----|----------|-----|----------------------------------|--------------------|--------|
| 1   | 80045    | 1   | WELDMENT, HOPPER ASM             |                    |        |
| 2   | 80790    | 1   | PLATE, FLAP RETAINER             |                    |        |
| 3   | 80052    | 1   | CHANNEL, HOPPER FLAP             |                    |        |
| 4   | 80199    | 4   | FLAP, FRONT HOPPER               |                    |        |
| 5   | 80053    | 1   | RETAINER, HOPPER FLAP            |                    |        |
| 6   | 80030    | 1   | WELDMENT, HOPPER DOOR            |                    |        |
| 7   | 09076    | 2   | BEARING, FIBER 5/8 ID X 1"L      |                    |        |
| 8   | 80043    | 2   | SLEEVE, HOPPER DOOR              |                    |        |
| 9   | 80039    | 1   | EDGING, HOPPER DOOR X 30.12"     |                    |        |
| 10  | 80606    | 2   | COTTER, 3/8" RING                |                    |        |
| 11  | 80041    | 2   | BAR, HOPPER DOOR SIDE SEAL       |                    |        |
| 12  | 80038    | 2   | SEAL, SIDE HOPPER DOOR           |                    |        |
| 13  | 80037    | 1   | SEAL, LOWER HOPPER DOOR          |                    |        |
| 14  | 80040    | 1   | CORD, HOPPER SEAL                |                    |        |
| 15  | 80042    | 1   | BAR, HOPPER DOOR LOWER SEAL      |                    |        |
| 16  | 80798    | 2   | SPRING, EXT 1.0D X 8.75L X .125W |                    |        |
| 17  | 05051    | 1   | ACTUATOR, 36VDC 3" STROKE        |                    |        |
| 18  | 80638    | 1   | PIN, CLEVIS 3/8" X 1.25" PLTD    |                    |        |
| 19  | 80637    | 1   | PIN, CLEVIS 3/8" X 2.375" PLTD   |                    |        |
| 20  | 29176    | 1   | DIODE ASM, ACTUATOR              |                    |        |
| 21  | 72122    | 1   | SWITCH, TRAVEL LIMIT             |                    |        |

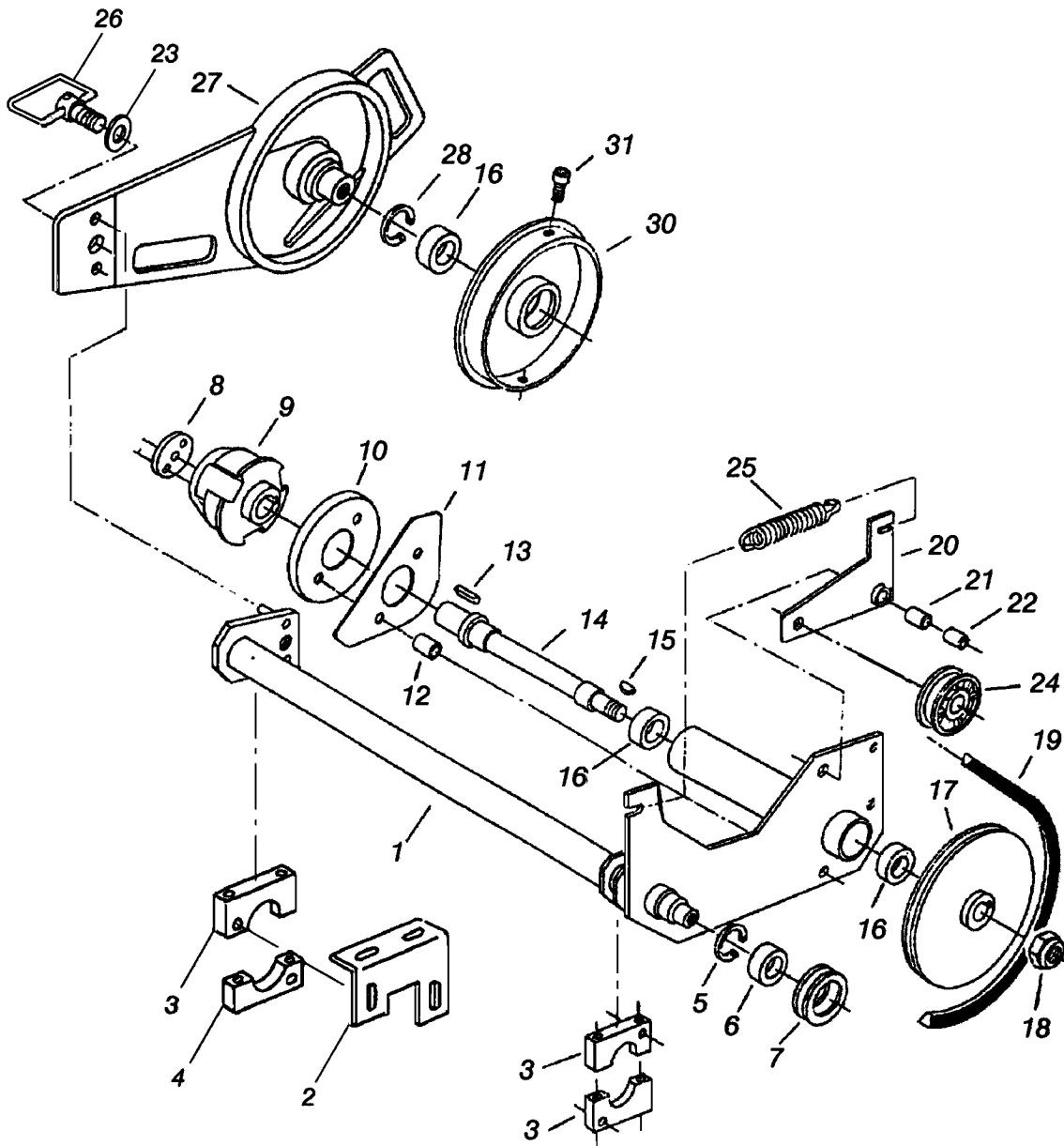
# MAIN BROOM LIFT GROUP



## MAIN BROOM LIFT GROUP

| REF | PART NO. | QTY | DESCRIPTION                         | SERIAL NO.<br>FROM | NOTES: |
|-----|----------|-----|-------------------------------------|--------------------|--------|
| 1   | 80673    | 1   | KNOB, 1/2-13 F-INSERT               |                    |        |
| 2   | 80349    | 1   | WELDMENT, BROOM LIFT ROD            |                    |        |
| 3   | 80670    | 1   | PIN, CLEVIS 1/4" X 1.125" PLTD      |                    |        |
| 4   | 80604    | 1   | COTTER, 1/4" RING                   |                    |        |
| 5   | 80808    | 1   | PIN, CLEVIS 3/8" X 5.5"L PLTD       |                    |        |
| 6   | 80606    | 1   | COTTER, 3/8" RING                   |                    |        |
| 7   | 80672    | 1   | NUT, 1/2-13 WING PLTD               |                    |        |
| 8   | 87119    | 2   | WASHER, .53 ID X 1.0 OD X .060 PLTD |                    |        |
| 9   | 80674    | 1   | KNOB, 1/2-13 F-INSERT ADJUSTING     |                    |        |
| 10  | OPEN     | -   | -                                   |                    |        |
| 11  | 80339    | 1   | WELDMENT, M-BROOM LIFT PIVOT        |                    |        |
| 12  | 80335    | 1   | WELDMENT, BROOM LIFT ROD            |                    |        |
| 13  | 80362    | 1   | CABLE, .13 X 40.5 0719 GS NO E-M    |                    |        |
| 14  | 80669    | 1   | PIN, CLEVIS 5/16" X 3/4"L PLTD      |                    |        |
| 15  | 80605    | 5   | COTTER, 5/16" RING                  |                    |        |
| 16  | 80608    | 3   | PULLEY, PLASTIC 1.95 DIA            |                    |        |
| 17  | 80609    | 4   | PIN, CLEVIS 5/16" X 1.12" PLTD      |                    |        |
| 18  | OPEN     | -   | -                                   |                    |        |
| 19  | 80363    | 1   | BAR, MAIN BROOM ARM                 |                    |        |
| 20  | 80780    | 1   | SWITCH, SPDT LEVER DRIP-PROOF       |                    |        |
| 21  | 80815    | 2   | BEARING, FLANGED 3/8" ID 11/16"     |                    |        |
| 22  | 80824    | 2   | TERM, STR TAB 1/4" MALE X #6        |                    |        |

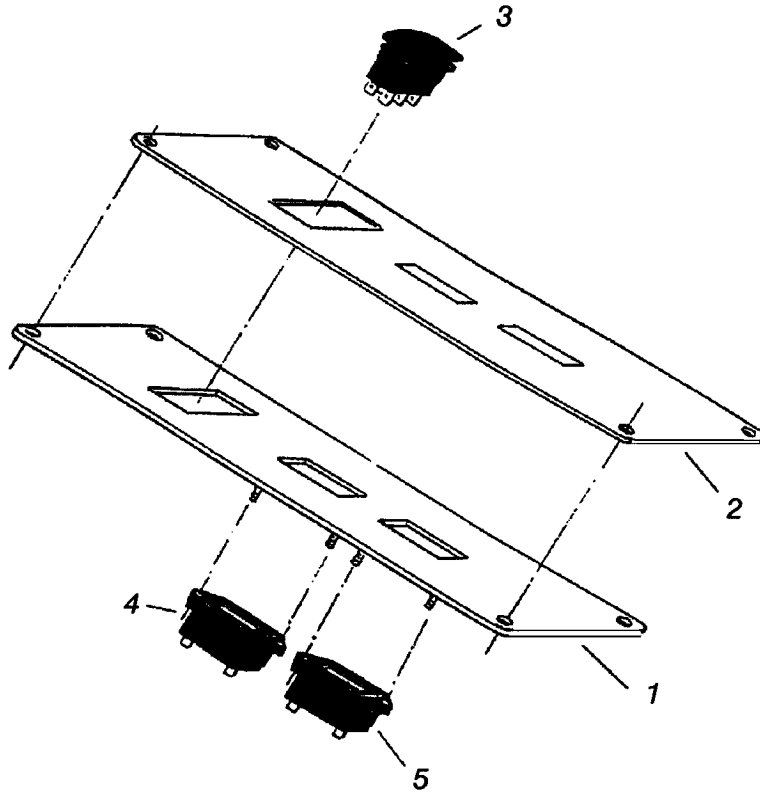
# MAIN BROOM GROUP



## MAIN BROOM GROUP

| REF | PART NO. | QTY | DESCRIPTION                         | SERIAL NO.<br>FROM | NOTES: |
|-----|----------|-----|-------------------------------------|--------------------|--------|
| 1   | 80175    | 1   | WELDMENT, M-BROOM LIFT ARM          |                    |        |
| 2   | 80209    | 1   | MOUNT, M-BROOM BEARING BLOCK        |                    |        |
| 3   | 80207    | 3   | BLOCK, MAIN BROOM BEARING           |                    |        |
| 4   | 80208    | 1   | BLOCK, MAIN BROOM BEARING LOWER     |                    |        |
| 5   | 80663    | 1   | RING, RETAINING 1/580" INT          |                    |        |
| 6   | 09078    | 1   | BEARING, BALL 203PP SEALED          |                    |        |
| 7   | 64079    | 1   | PULLEY, MAIN BROOM IDLER            |                    |        |
| 8   | 80008    | 1   | BAR, BROOM DRIVE RETAINER           |                    |        |
| 9   | 80000    | 1   | HUB, MAIN BROOM DRIVE               |                    |        |
| 10  | 80187    | 1   | RING, MAIN BROOM GUARD              |                    |        |
| 11  | 80185    | 1   | PLATE, MAIN BROOM SHIELD            |                    |        |
| 12  | 80186    | 2   | TUBE, MAIN BROOM SHIELD SPACER      |                    |        |
| 13  | 80737    | 1   | KEY, 1/4 X 1/4 X 1.13"L NON-PLTD    |                    |        |
| 14  | 80191    | 1   | SHAFT, MAIN BROOM DRIVE             |                    |        |
| 15  | 80590    | 1   | KEY, WOODRUFF 3/16" X 3/4" #606     |                    |        |
| 16  | 09079    | 3   | BEARING, BALL 205PP SEALED          |                    |        |
| 17  | 64077    | 1   | PULLEY, MAIN BROOM DRIVE            |                    |        |
| 18  | 80664    | 1   | NUT, 3/4-16 HEX NYLOCK              |                    |        |
| 19  | -        | REF | V-BELT                              |                    |        |
| 20  | 80188    | 1   | WELDMENT, BELT TENSIONER            |                    |        |
| 21  | 09080    | 1   | BEARING, BRONZE OIL FILLED          |                    |        |
| 22  | 80572    | 1   | SPACER, 1/2 OD X .391 ID X .898     |                    |        |
| 23  | 87160    | 1   | WASHER, 1/2 FLAT PLTD               |                    |        |
| 24  | 80667    | 1   | PULLEY, IDLER 3.5 DIA X 1.0W        |                    |        |
| 25  | 80816    | 1   | SPRING, EXT 1.0 D X 7.50 L X .140 W |                    |        |
| 26  | 80644    | 1   | WELDMENT, MAIN BROOM HANDLE         |                    |        |
| 27  | 80184    | 1   | ARM, MAIN BROOM IDLER CASTING       |                    |        |
| 28  | 80665    | 1   | RING, RETAINING 2.06 INTERNAL       |                    |        |
| 29  | OPEN     | -   | -                                   |                    |        |
| 30  | 80001    | 1   | HUB, BROOM IDLER                    |                    |        |
| 31  | 80641    | 1   | RETAINER, BEARING                   |                    |        |

# INSTRUMENT PANEL GROUP

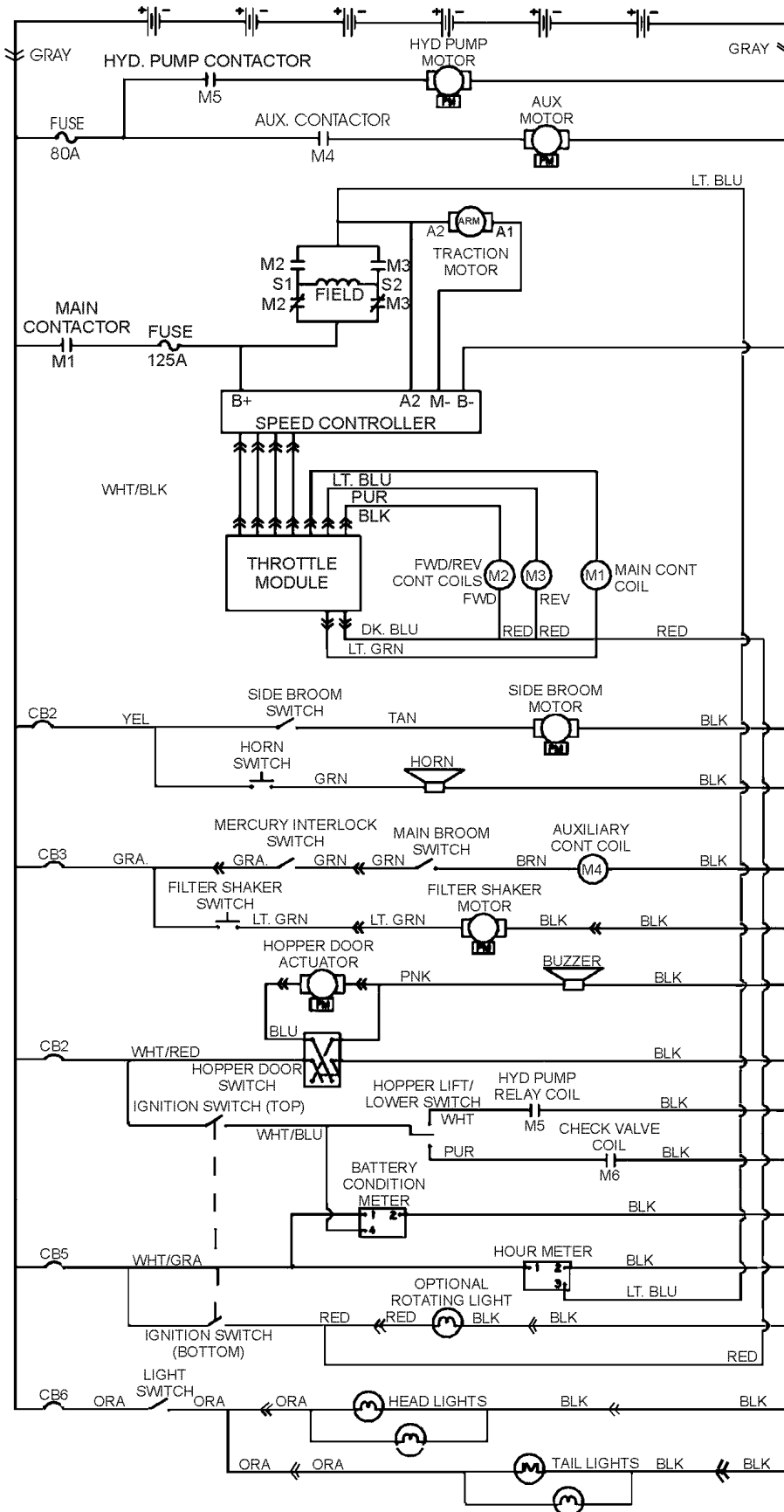


**INSTRUMENT PANEL GROUP**

| REF | PART NO. | QTY | DESCRIPTION                     | SERIAL NO.<br>FROM | NOTES: |
|-----|----------|-----|---------------------------------|--------------------|--------|
| 1   | 80540    | 1   | PANEL, FRONT ELECTRIC           |                    |        |
| 2   | 80530    | 1   | PANEL, LINTLE ELECTRIC DECAL    |                    |        |
| 3   | 72130    | 1   | SWITCH, SPST 2-POSITION ROCKER  |                    |        |
| 4   | 54144    | 1   | METER, 36V BATTERY CHARGE LEVEL |                    |        |
| 5   | 54154    | 1   | METER, 12-48 VDC LED HOUR       |                    |        |



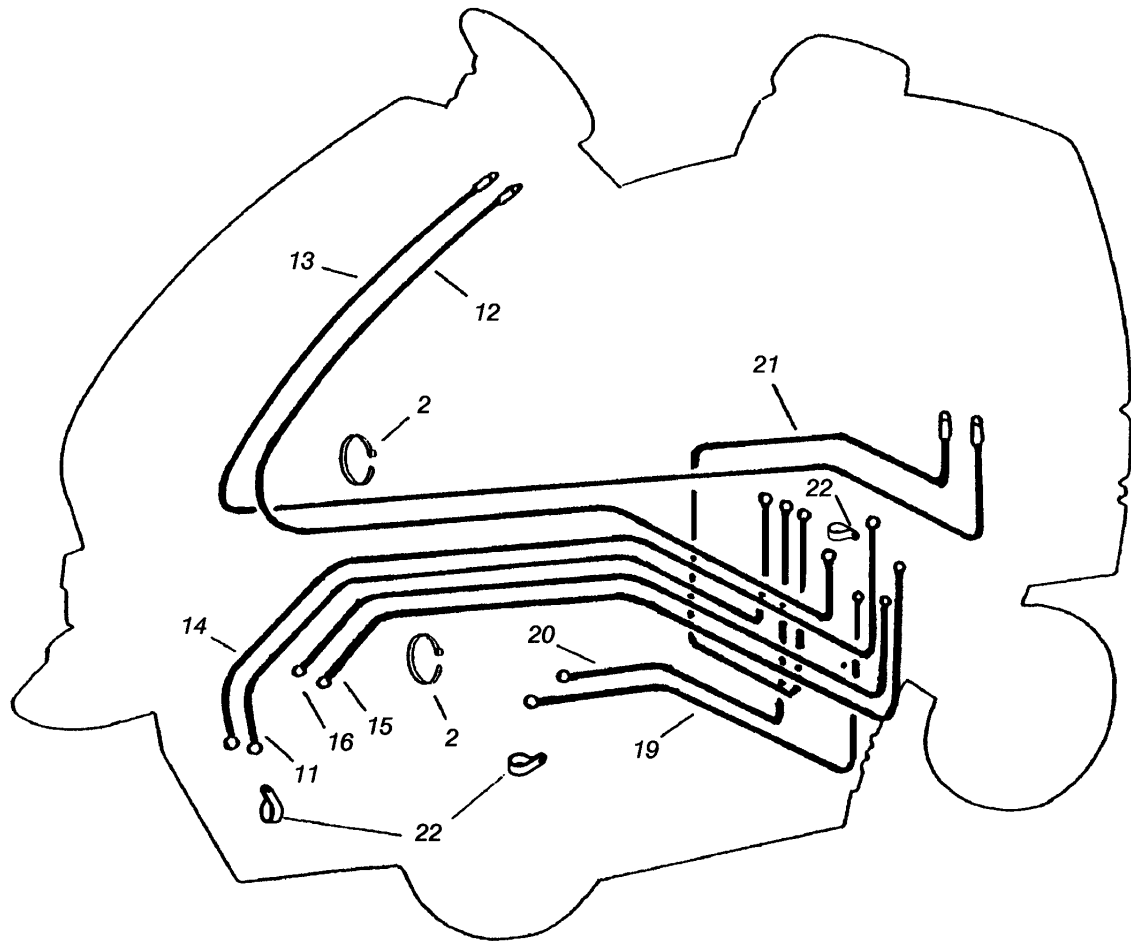
# WIRING GROUP



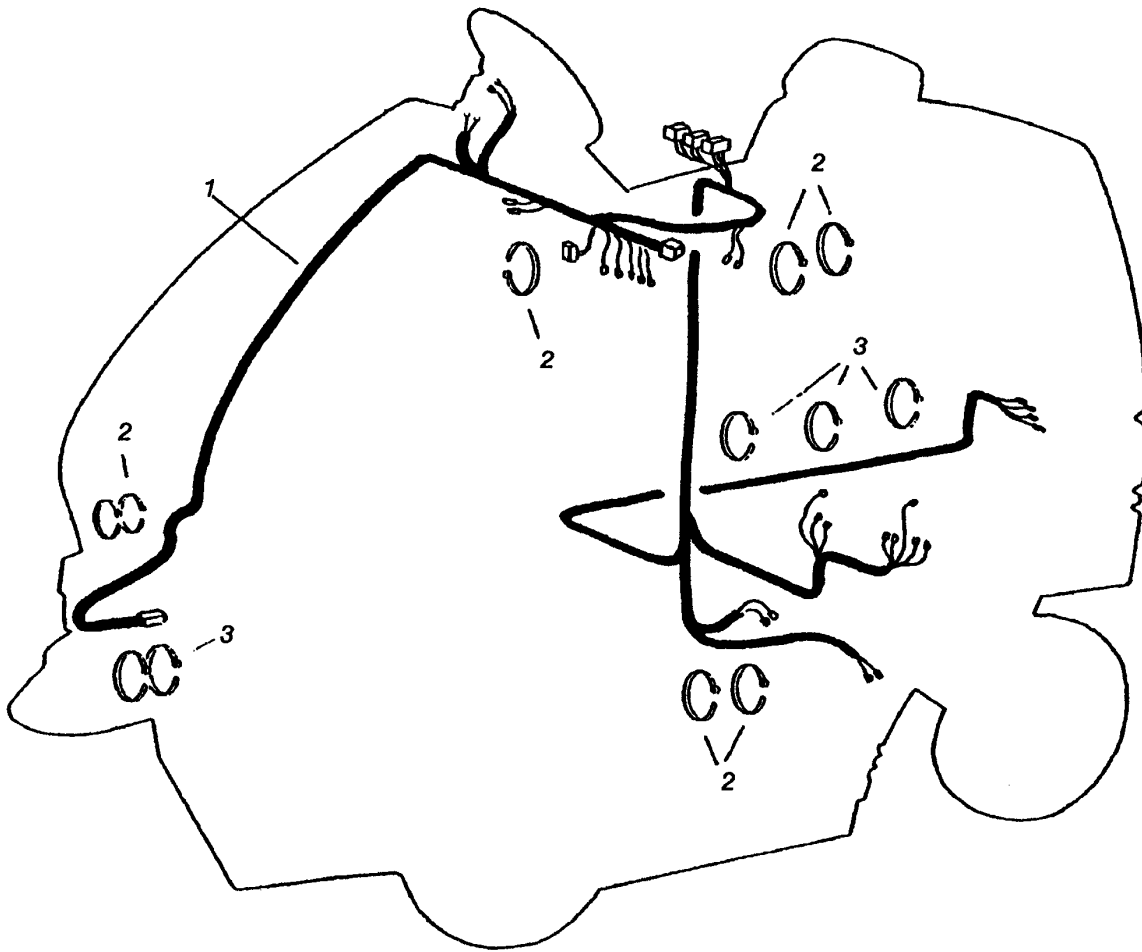
**WIRING GROUP**

| REF | PART NO. | QTY | DESCRIPTION                         | SERIAL NO.<br>FROM | NOTES: |
|-----|----------|-----|-------------------------------------|--------------------|--------|
| 1   | 81938    | 1   | HARNESS, MAIN 42" BAT SWPR NEW      |                    |        |
| 2   | 27049    | 1   | CABLE TIE, 7" UL/CSA                |                    |        |
| 3   | 27196    | 1   | CABLE TIE, .375 X 17.5              |                    |        |
| 4   | 80877    | 1   | HARNESS, HOPPER 42"                 |                    |        |
| 5   | 80862    | 1   | HARNESS, THROTTLE 42" BAT SWPR      |                    |        |
| 6   | 80878    | 1   | HARNESS, REAR CLIP 42"              |                    |        |
| 7   | OPEN     | -   | -                                   |                    |        |
| 8   | 80863    | 1   | WIRE, 8 X 15BK B306 X B306          |                    |        |
| 9   | 80864    | 1   | WIRE, 8 X 42BK B306 X B307          |                    |        |
| 10  | 80865    | 1   | WIRE, 8 X 28.5BK B306 X B306        |                    |        |
| 11  | 80866    | 1   | CABLE, 4 X 63BK 5/16RING X 5/16RING |                    |        |
| 12  | 80867    | 1   | CABLE, 4 X 66BK 5/16RING X 5/16RING |                    |        |
| 13  | 80868    | 1   | CABLE, 4 X 77BK CTERM X CTERM       |                    |        |
| 14  | 80869    | 1   | CABLE, 4 X 71BK 5/16RING X 5/16RING |                    |        |
| 15  | 80870    | 1   | CABLE, 4 X 65BK 5/16RING X 5/16RING |                    |        |
| 16  | 80871    | 1   | CABLE, 4 X 64BK 5/16RING X 5/16RING |                    |        |
| 17  | 80872    | 2   | CABLE, 4X14.5BK 5/16RINGX 5/16RING  |                    |        |
| 18  | OPEN     | -   | -                                   |                    |        |
| 19  | 80874    | 1   | CABLE, 4 X26.5BK 5/16RINGX5/16RING  |                    |        |
| 20  | 80875    | 1   | CABLE, 4 X 30BK 5/16RING X 5/16RING |                    |        |
| 21  | 80876    | 1   | CABLE, 4 X 30BK CTERM X 5/16 RING   |                    |        |
| 22  | 80889    | 8   | BOOT, RUBBER TERM ISOLATOR          |                    |        |
| 23  | 27050    | 3   | CABLE TIE, 3.5" UL/CSA              |                    |        |
| 24  | 88625    | 1   | WIRE, 14" WHT/14 76002 X 76029      |                    |        |
| 25  | 23125    | 5   | WIRE, 4 X 15 BCLAMP X BCLAMP        |                    |        |
| 26  | 23190    | 1   | CABLE, 4 X 27 RD BCLAMP X CTERM     |                    |        |
| 27  | 23191    | 1   | CABLE, 4 X 27 BK BCLAMP X CTERM     |                    |        |

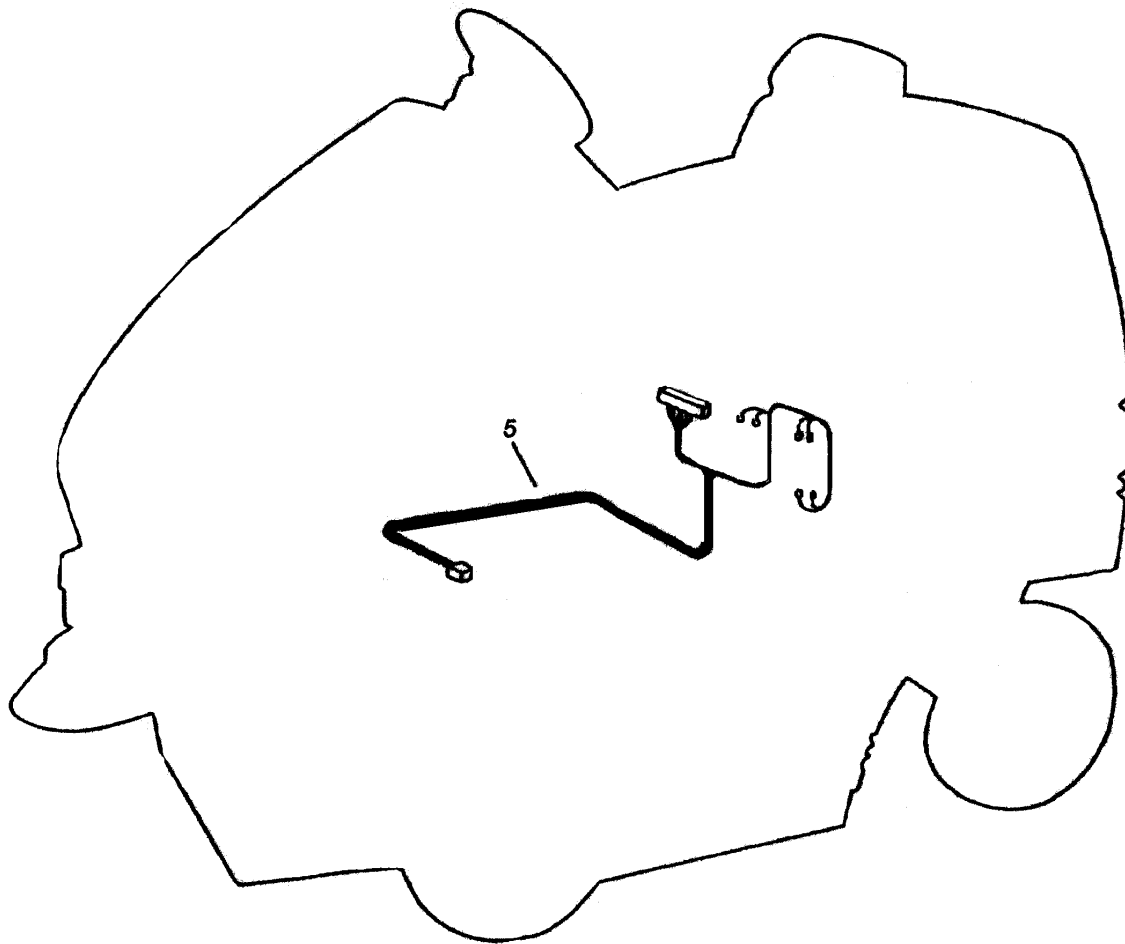
# CABLE ROUTING #1



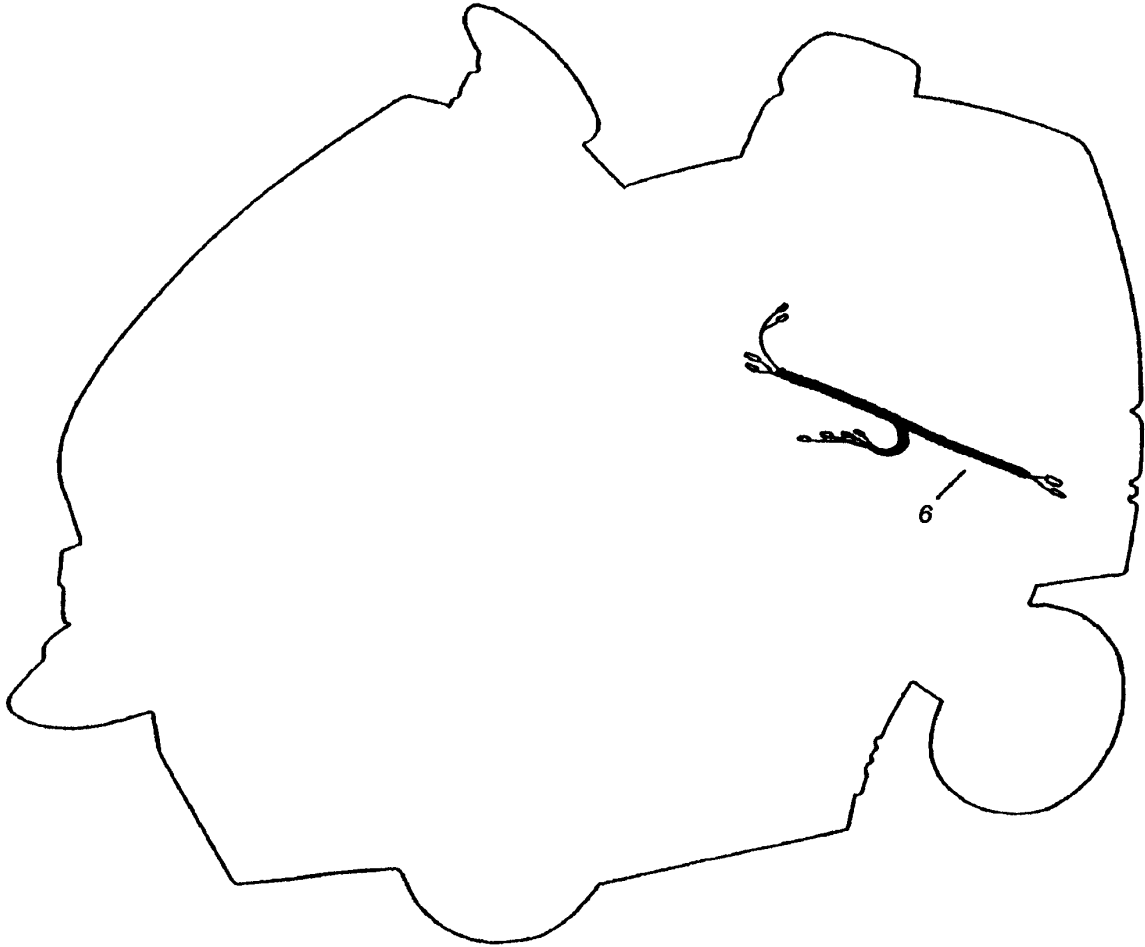
# MAIN HARNESS



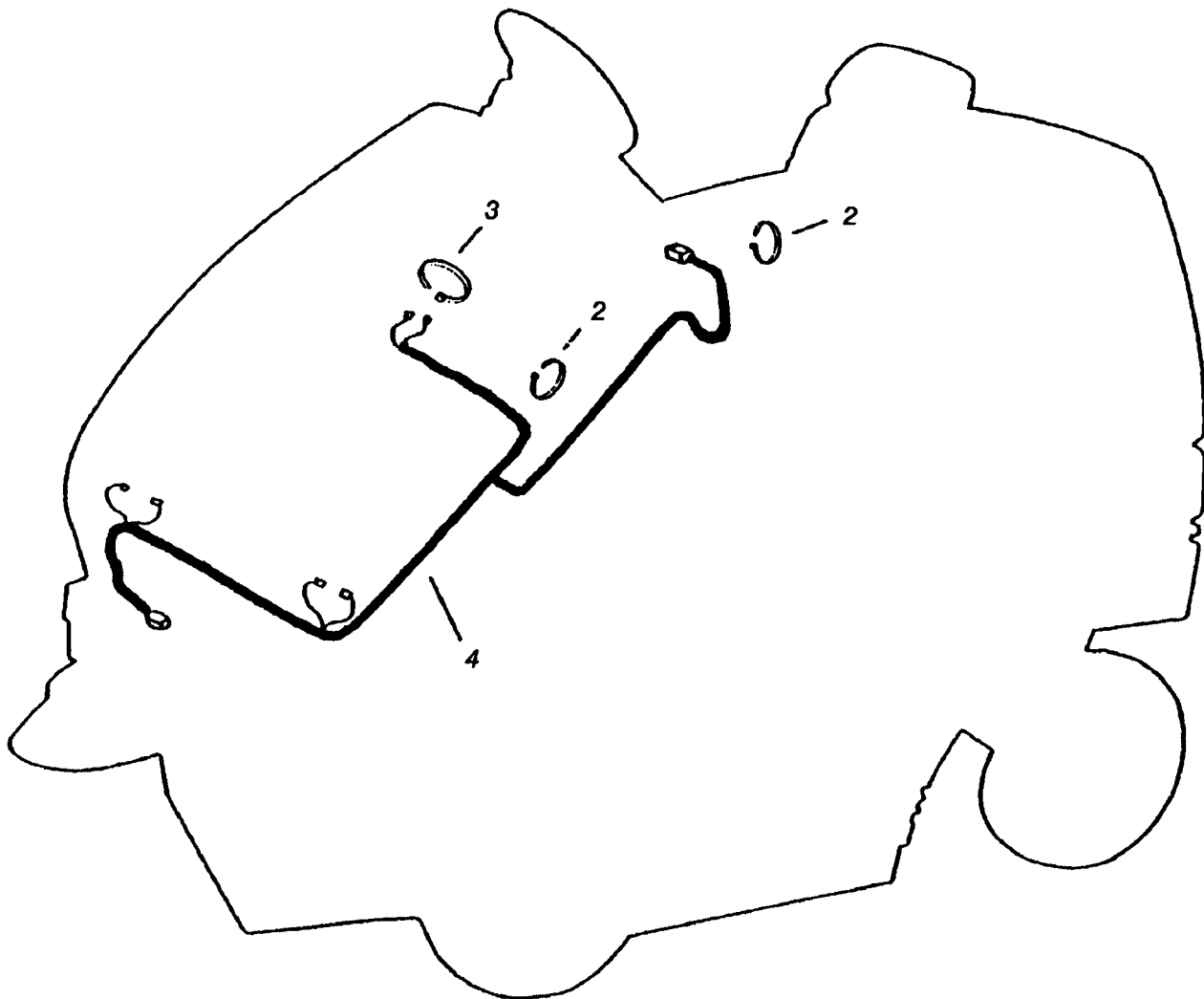
# THROTTLE HARNESS



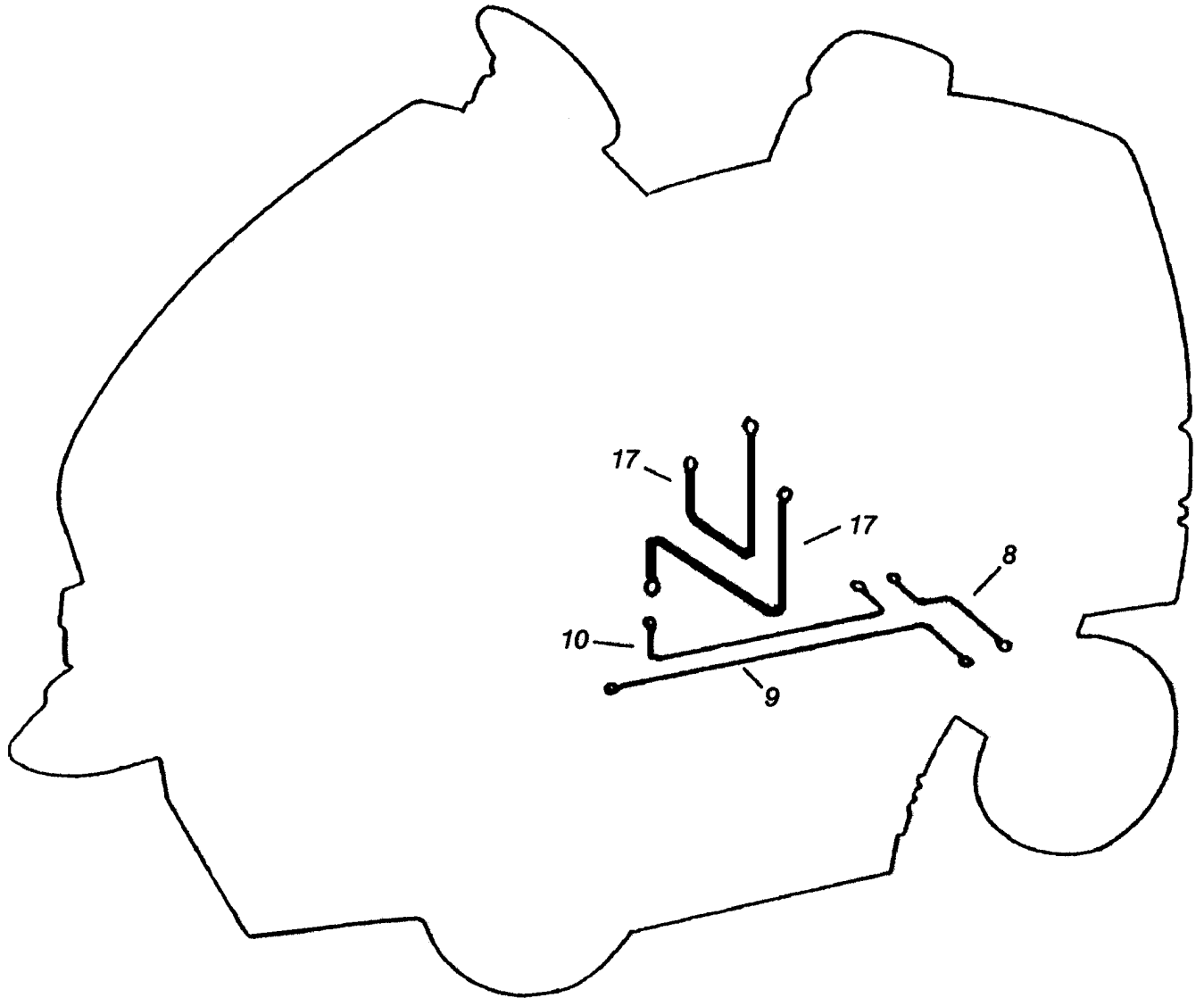
**REAR CLIP HARNESS**



# HOPPER HARNESS



**CABLE ROUTING #2**





# NOTES