



TyphoonTM EV 1592/1512

Wet/Dry Vacuum
Aspirador Para Líquidos y En Seco

Model No.:

608688 – 1592

609533 – 1592 (Can.)

608689 – 1512

609534 – 1512 (Can.)

**Operator and Parts Manual
Manual de Operación y de Piezas**

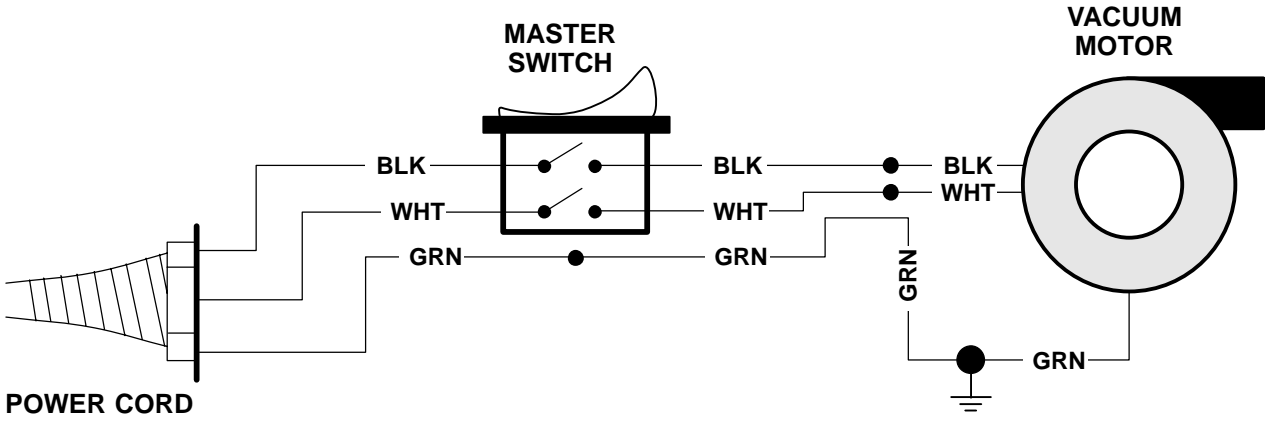


NOBLES
12875 RANSOM STREET
HOLLAND MI 49424 U.S.A.

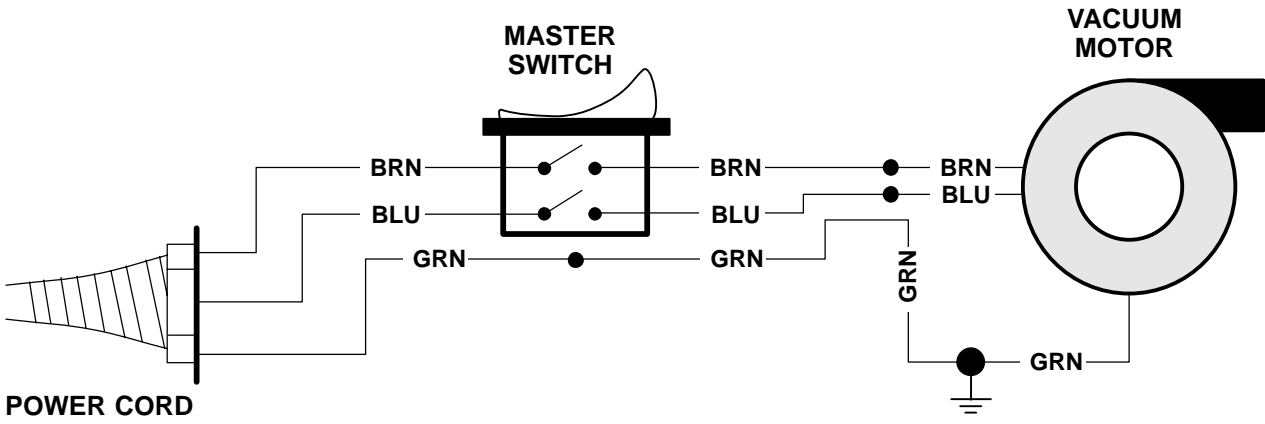
CUSTOMER SERVICE: 1-800-365-6625
FAX: 1-800-678-4240

608690
Rev. 00 (09-99)

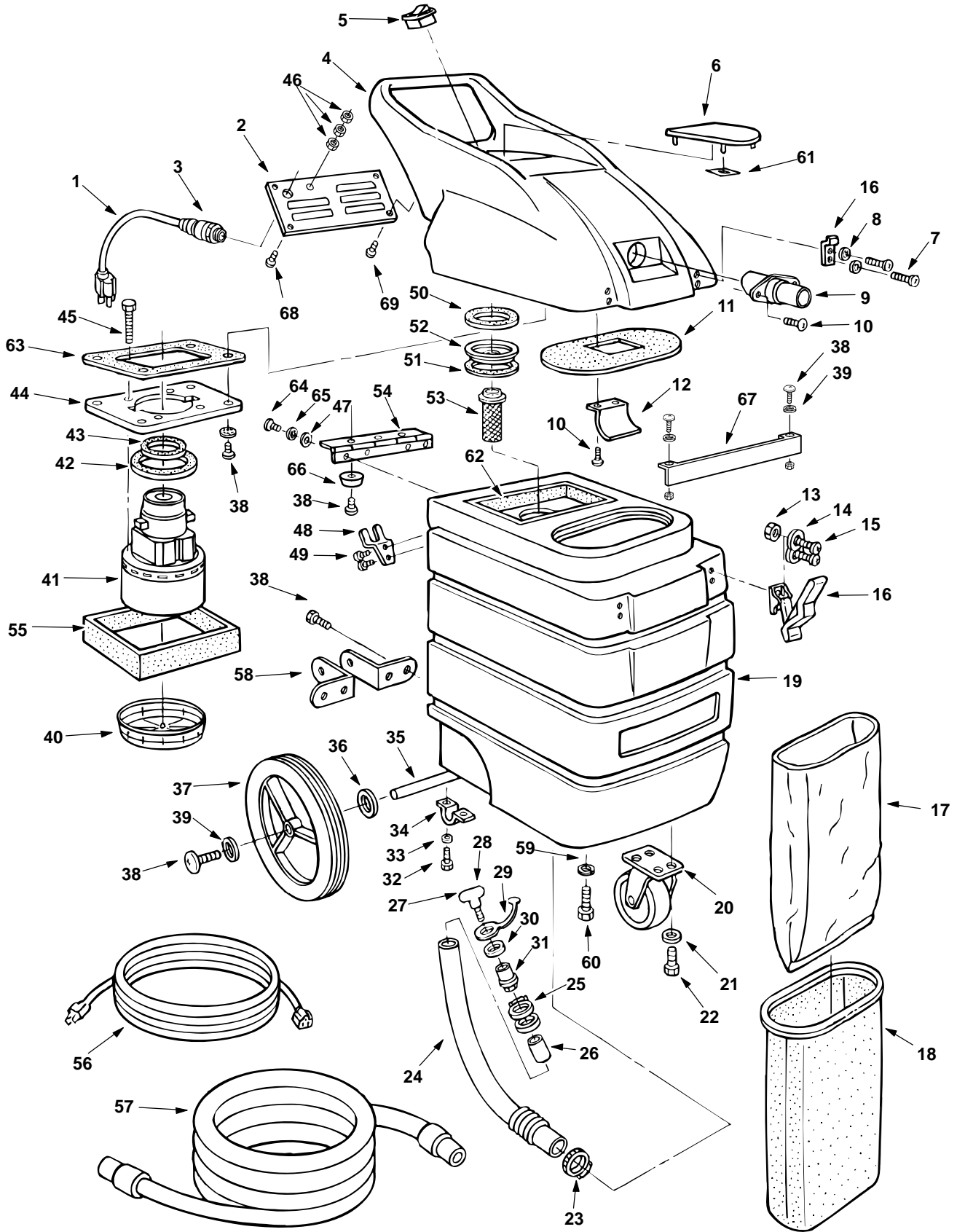
120V



230V



MACHINE PARTS DIAGRAM
DIAGRAMA DE PIEZAS DE LA MÁQUINA



**MACHINE PARTS LIST
LISTA DE PIEZAS DE LA MÁQUINA**

REF	PART #	DESCRIPTION	QTY.
1.	130266	CORD, PIGTAIL ASM. 16/3x18" (120V)	1
	130938	CORD, 16/3 50' (230V)	1
	130166	CORD GRIP, (230V)	1
2.	600170.BK	PLATE, REAR COVER	1
3.	130176	STRAIN RELIEF	1
4.	608691	HANDLE, GREEN	1
5.	19417	SWITCH ON/OFF	1
6.	600162	COVER, AIR VENT	1
7.	140801	SCREW, 8-32x3/8	4
8.	140023	WASHER, LOCK	4
9.	160485	HOSE, ADAPTER	1
10.	140197	SCREW, 10-24x3/8	4
11.	100098	GASKET, COVER	1
12.	230497	BRACKET, AIR DEFLECTOR	1
13.	140288	NUT, LOCK M4	4
14.	140011	WASHER, FLAT 3/16	4
15.	140287	SCREW, M4	4
16.	140932	LATCH, HOOD RUBBER	2
17.	900102	BAG, PAPER, PKG. OF 10	1
18.	900104	BAG, CLOTH	1
19.	608693	TANK, 15 GALLON, GREEN	1
20.	103065	CASTER, SWIVEL 4"	1
21.	140015	WASHER, SPLIT LOCK 5/16	4
22.	140226	SCREW, 5/16-18x5/8	4
23.	140307	CLAMP, HOSE	1
▽	600745	ASM, DRAIN HOSE	1
▲24.	600744	HOSE, DRAIN 19"	1
▲25.	140072	CLAMP, EAR 1-9/16"	2
▲26.	140921	SLEEVE, DRAIN HOSE	1
▽▲27.	701061	ASM., PLUG	
▲28.	230831	KNOB, DRAIN HOSE	1
▲29.	230882	STRAP, DRAIN STOPPER	1
▲30.	140056	WASHER, FENDER	1
▲31.	140955	PLUG, DRAIN HOSE	1
32.	140553	SCREW, 1/4-20x1/2	4
33.	140016	WASHER, LOCK 1/4"	4
34.	230746	BRACKET, AXLE OFFSET	2
35.	230457	AXLE	1
36.	140063	WASHER, FLAT	2
37.	1038395	WHEEL, 10x1.75, GRAY/WHITE	2
38.	140195	SCREW, 1/4-20x1/2	17
39.	140003	WASHER, FENDER 1/4" x 1"	10
40.	180626	FILTER, VACUUM MOTOR	1
41.	130406	MOTOR, VAC 5.7/ 2 STG 120V (608688)	1
	190155	-CARBON BRUSH	1
	130417	MOTOR, VAC 5.7/ 3 STG 120V (608689)	1
	600272	-CARBON BRUSH	1

REF	PART #	DESCRIPTION	QTY.
42.	100143	GASKET, VAC MOTOR	1
43.	600156	GASKET, TOP VAC	1
44.	600163	PLATE, VACUUM MOUNT	1
45.	140340	SCREW, PLATE MOUNT	4
46.	140519	NUT, KEPS	3
47.	140000	WASHER, FLAT 1/4"	10
48.	230696.BK	BRACKET, DRAIN HOSE	1
49.	140825	SCREW, #6x1/2	2
50.	600157	GASKET, FLOAT 2 STG (608688)	2
	600158	GASKET, FLOAT 3 STG (608689)	1
51.	600160	GASKET, FLOAT 3 STG (608689)	1
52.	600147	FLOAT PLATE 2 STG (1592)	1
	600130	FLOAT PLATE 3 STG (1512)	1
53.	180613	FLOAT, SHUT OFF	1
54.	600278	HINGE	1
55.	600682	FOAM SOUNDCOAT COVER	1
56.	130250	CORD, EXTENSION 50'	1
57.	160481	HOSE, VACUUM 10'	1
58.	230950	BRACKET, SQUEEGEE	2
59.	140017	WASHER, SPLIT LOCK	2
60.	140201	SCREW, HEX HEAD	2
61.	12481	NUT, PUSH ON	1
62.	600683	FOAM, SOUNDCOAT TANK	1
63.	600161	GASKET, VAC MOUNT	1
64.	140864	SCREW, 1/4-20x3/4	2
65.	578244000	WASHER, LOCK	26
66.	600996	BUMPER	2
67.	600964.BK	BRACKET, TANK SUPPORT	1
68.	140895	SCREW, 10-24x3/4	1
69.	140197	SCREW, 10-24x3/8	4

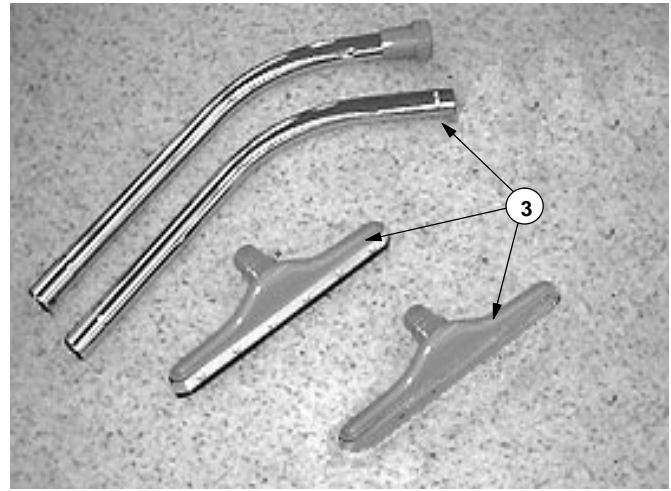
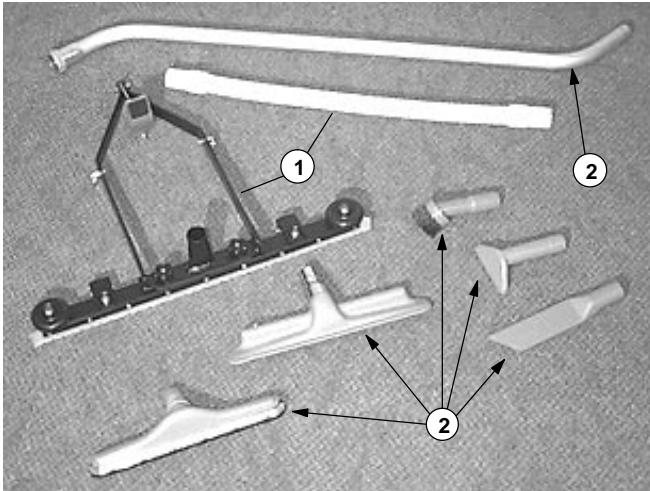
**DECAL PARTS LIST (NOT SHOWN)
LISTA DE CALCOMANÍAS (NO SE MUESTRAN)**

N/S	602596	DECAL, WARNING	1
N/S	120614	TAG, DRAIN CAP	1
N/S	609029	DECAL, "TYPHOON EV 1592"	2
N/S	609030	DECAL, "TYPHOON EV 1512"	2
N/S	608185	DECAL, "NOBLES"	1

▽ Assembly

▲ Included in Assembly

OPTIONAL ACCESSORIES ACCESORIOS OPCIONAL



REF	PART #	DESCRIPTION	QTY.
1	190108	KIT, 26" (66cm) SQUEEGEE	1
	190972	KIT, 33" (84cm) SQUEEGEE	1
	190958	KIT, 39" (99cm) SQUEEGEE	1
2	16593	∇KIT, ACCESSORY TOOL	1
	6108.1	▲Two Piece Wand	1
	6117	▲Dusting Brush	1
	6057	▲4" (10cm) Upholstery Tool	1
	6170	▲Crevice Tool	1
	14043	▲16" (41cm) Floor Tool	1
	13840	▲Squeegee Tool	1

REF	PART #	DESCRIPTION	QTY.
3	190142	∇KIT, ACCESSORY TOOL	1
	190722	▲Two Piece Wand	1
	603840	▲14" (36cm) Carpet Tool Scalloped Face	1
	13840	▲14" (36cm) Squeegee Tool	1

SQUEEGEE KIT BREAKDOWN PIEZAS DE LA RASQUETA DE CAUCHO

REF	PART #	DESCRIPTION	QTY.
∇	190108	Squeegee Kit 26" (67cm)	1
	190972	Squeegee Kit 33" (84cm)	1
	190958	Squeegee Kit 39" (99cm)	1
▲1	230453.BK	Weldment, Squeegee Lift	1
▲2	230456	Pedal, Lift	1
▲3	230454	Bracket, Squeegee Mount	1
▲4	140232	Screw, 3/8-16x1-1/4	1
▲5	140925	Spacer, 3/16	1
▲6	140028	Washer, Flat 3/8	1
▲7	140515	Nut, Lock Nylon 3/8-16	1
▲8	630258	Pin, Clevis	3
▲9	612254000	Pin, Hair	3
▲10	102560	Pad, nonstick	1
▲11	160462	Hose, Vacuum 1.5x33"	1
∇▲12	602831	Asm., Squeegee 26"	1
	603494	Asm., Squeegee 33"	1
	603496	Asm., Squeegee 39"	1
▲13	230727.BK	Weldment, Squeegee 26"	1
	230682.BK	Weldment, Squeegee 33"	1
	230692.BK	Weldment, Squeegee 39"	1

REF	PART #	DESCRIPTION	QTY.
▲14	100150	Gasket	1
▲15	230725.BK	Plate, Rear 26"	1
	230669.BK	Plate, Rear 33"	1
	230685.BK	Plate, Rear 39"	1
▲16	230723.BK	Plate, Front 26"	1
	230670.BK	Plate, Front 33"	1
	230686.BK	Plate, Front 39"	1
▲17	603659	Blade, Squeegee 26"	2
	603661	Blade, Squeegee 33"	2
	603662	Blade, Squeegee 39"	2
▲18	140890	Screw, 10-24x1/2	18-28
▲19	140018	Washer, #10 Int Lock	18-28
▲20	27257	Knob, Squeegee	2
▲21	140221	Screw, 5/16-18x1-1/4	2
▲22	630450	Wheel	2
▲23	140799	Screw, 5/16-18x1-1/2	2
▲24	700844	Asm., Squeegee Roller	2
▲25	140226	Screw, 5/16-18x5/8	2
▲26	140015	Washer, Lock	2

∇ Assembly

▲ Included in Assembly

SQUEEGEE KIT BREAKDOWN
PIEZAS DE LA RASQUETA DE CAUCHO

