

VIPER

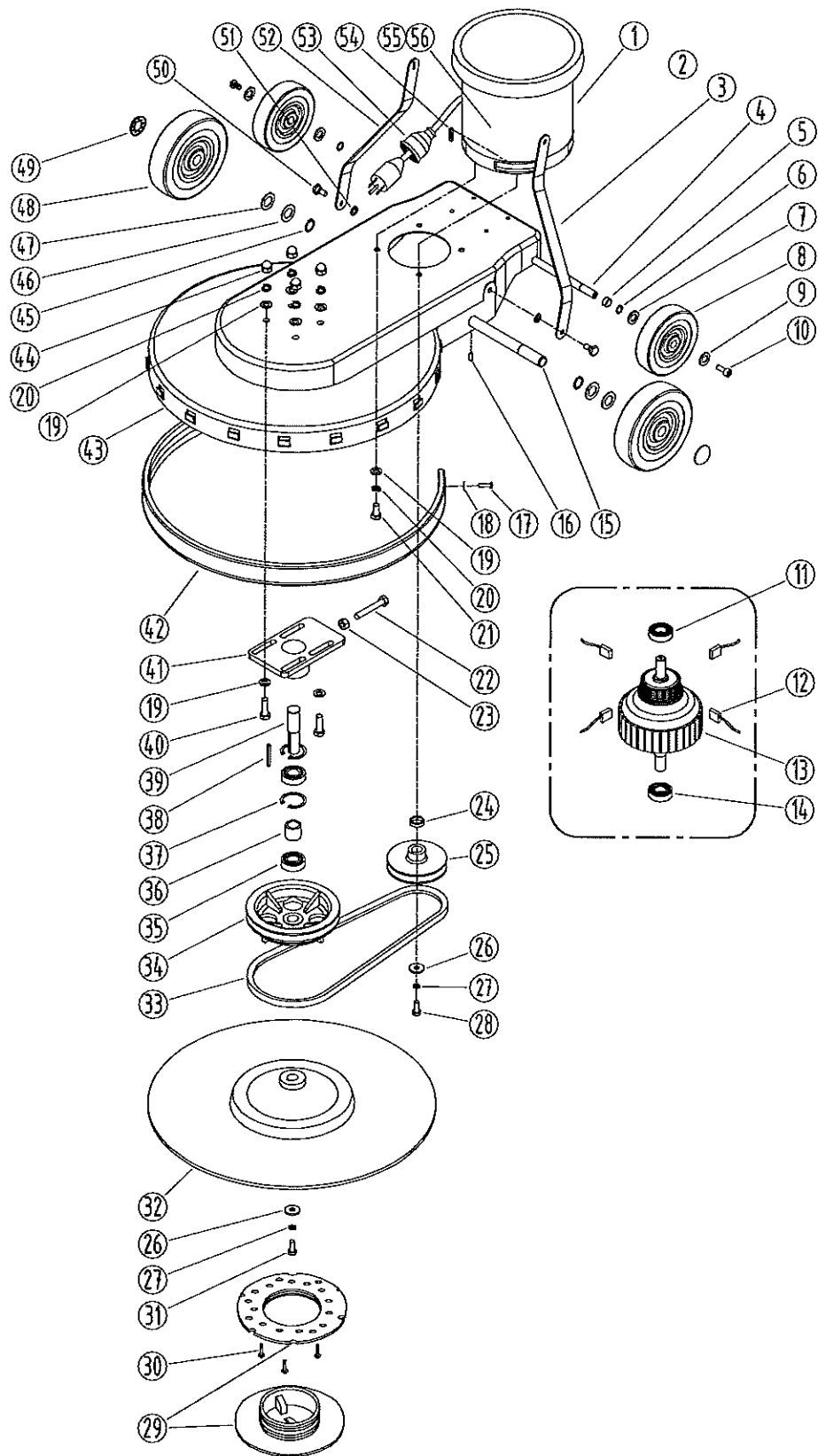
VENOM

VN1500

BURNISHER

*****PLEASE MAKE SURE YOUR SERIAL NUMBER MATCHES TO ENSURE
CORRECT PARTS ARE BEING ORDERED*****

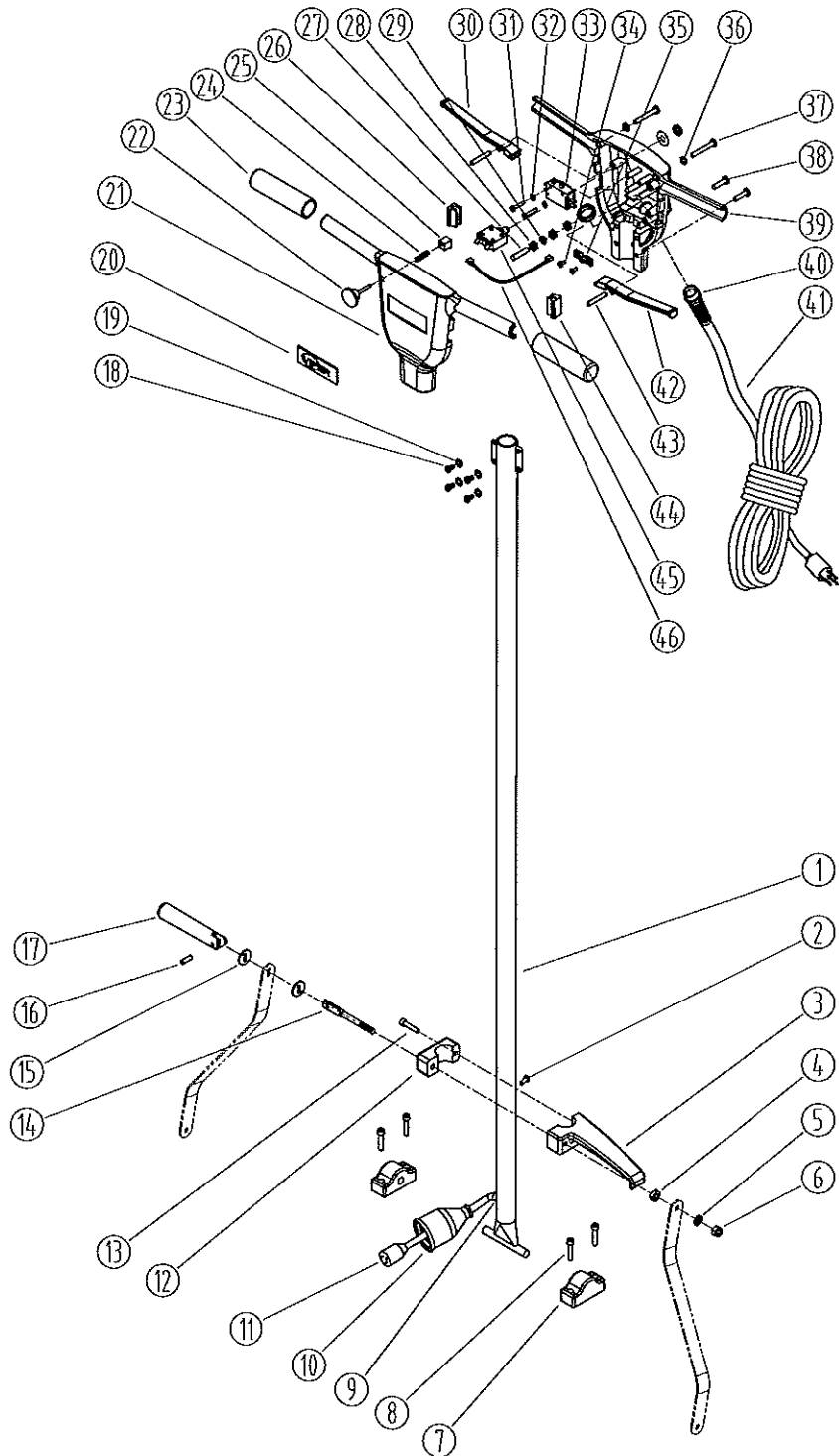
BASE GROUP FOR VN1500



BASE ASSEMBLY - VN1500

DIA NO	PART NUMBER	DESCRIPTION	NO REQ'D
1	ZD41000C	MOTOR, 120V	1
2	VF44204	RECTIFIER	1
3	VF53112	BRACKET, LEFT (New Release Mechanism Serial # 301+)	1
	AS1212A03	BRACKET, LEFT (Original Release Mechanism)	1
4	VF53104	AXLE, TRANSPORT	1
5	VF53106	SPACER, WHEEL, TRANSPORT	1
6	VF13520	RETAINING RING, EXTERNAL, M12	2
7	VF50119	WASHER, WAVE, M12	2
8	VF48202	WHEEL, 5"	2
9	VF13666	WASHER, PLAIN, M12	2
10	VF44012	SCREW, M5 x 12.7	2
11	ZD40225	BEARING, 6203Z	1
12	VF99926-2	CARBON BRUSH (SET OF 4)	1
13	ZD41200A	SHAFT & ROTOR ASSY	1
14	ZD40226	BEARING, 6004Z	1
15	VF53103	FRONT AXLE	1
16	VF13525	SCREW, FLAT, M6 X 8	2
17	VA13474	SCREW, PH, M5 x 16	2
18	VA13474A	WASHER, PLAIN, M5 x M16	2
19	VF13517	WASHER, PLAIN, M10	12
20	VF13518	WASHER, LOCK, M10	8
21	VF13497	SCREW, HEX HEAD, 16G, 3/8"	4
22	VF14002	SCREW, HEX HEAD, M10 x 65	1
23	VF14005	NUT, M10, HEX	1
24	VF52008	SPACER, DRIVING PULLEY	1
25	VF52009E	DRIVING PULLEY	1
26	VF52021	WASHER, PLAIN, M8 x M30 x 5	2
27	VF13519	WASHER, LOCK, M8	2
28	VF14008	SCREW, 18G, 5/16", HEX	1
29	VF99003A	BIG MOUTH	1
30	VA13484	SCREW, PAN HEAD, M4 x 12	3
31	GT13018	SCREW, M8 x 30	1
32	VF99024D	PAD HOLDER	1
33	VF14079B	BELT, 38"	1
34	VF52004A	DRIVEN PULLEY	1
35	VF14075	BEARING, 6004 2RS	2
36	VF52006	SPACER, BEARING	1
37	VF14003	RETAINING RING, INTERNAL, M42	2
38	VF52001	KEY, DRIVEN SHAFT	1
39	VF52005	DRIVEN SHAFT	1
40	VF14007	SCREW, HEX, M10 x 32	4
41	VF52007	MOUNTING PLATE, DRIVEN SHAFT	1
42	AS321203	BUMPER, FRAME	1
43	VF53101	FRAME	1
44	VF14059	CAP NUT, M10	4
45	VF14004	RETAINING RING, EXTERNAL, M19	2
46	VF50123	WASHER, M19	2
47	VF47027	WASHER, WAVE, M19	2
48	VF47055	WHEEL, 160MM	2
49	VA96851	CAP, FRONT AXLE	2
50	VF53107	SCREW, HEX, BRACKET	2
51	VF13514	WASHER, PLAIN, M8 x M16	2
52	VF53113	BRACKET, RIGHT (New Release Mechanism Serial # 301+)	1
	AS1212A07	BRACKET, RIGHT (Original Release Mechanism)	1
53	AS41901	PLUG PROTECTOR, SMALL MALE	1
54	VF99924	KEY, MOTOR	1
55	VF41079	VIPER LOGO	1
56	VF53110	SILVER LABEL	1

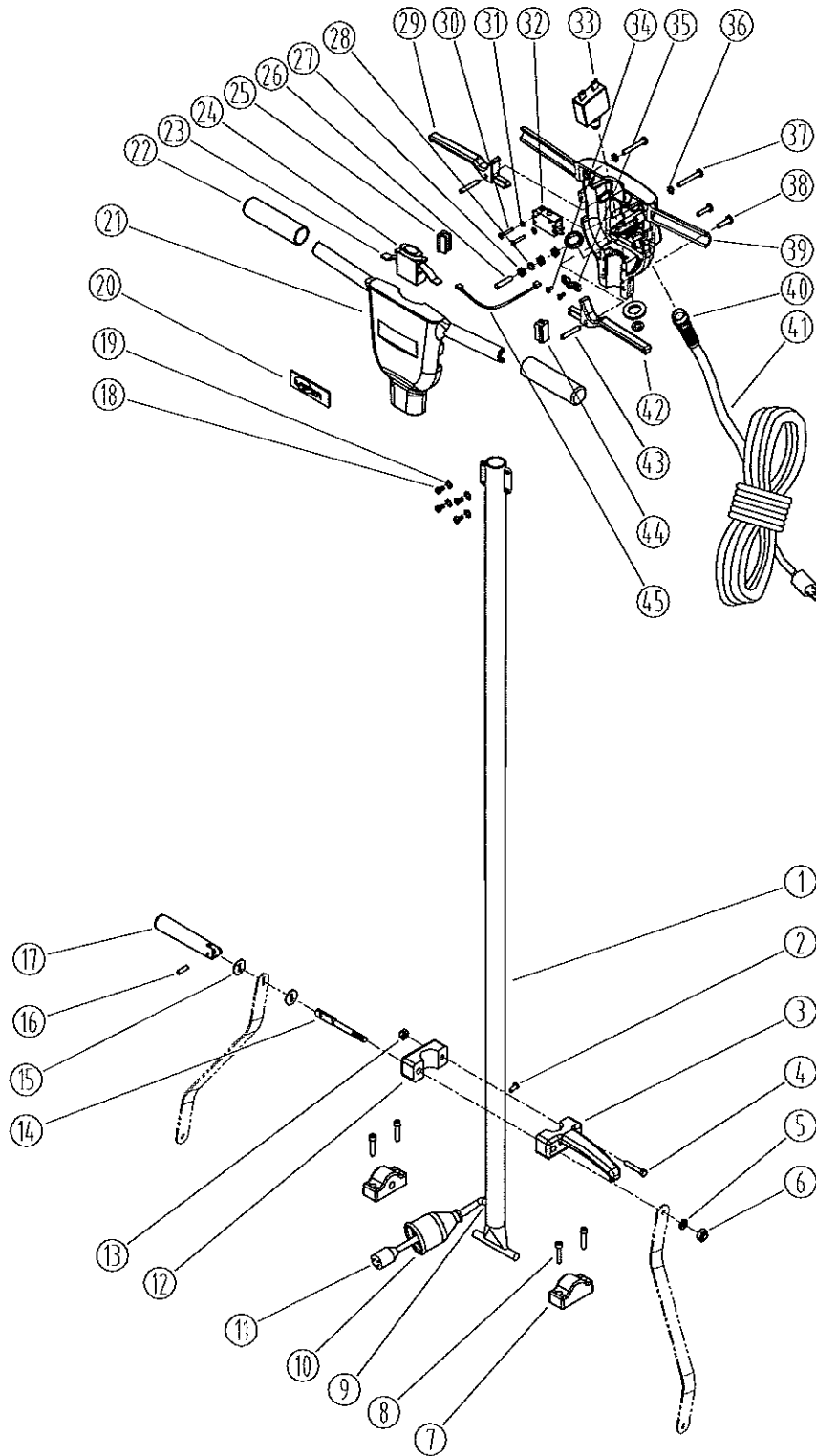
HANDLE GROUP FOR VN1500



VN1500 - ORIGINAL HANDLE ASSEMBLY (UP TO SERIAL # 300)

DIA NO	PART NUMBER	DESCRIPTION	
1	VF53109	TUBE HANDLE,VN1500	
2	VF13493	SCREW,M6 x 10,HEX SOCKET	
3	AS112206-1	HOOK, CABLE	
4	AS112214	SPACER, HANDLE RELEASE	
5	VF13514	WASHER,PLAIN ϕ 8 x ϕ 16 x 1.5	
6	VF13503	NUT,M8,NYLON INSERT	
7	AS112208	CLAMP BLOCK, HANDLE	
8	VF14053	HEX SOCKET SCREW,M6 x 25	
9	VF50120	GROMMET	
10	AS41901	PLUG PROTECTOR, LARGE FEMALE	
11	VF45120	CORD,HANDLE,14/3C	
12	AS112206-2	COVER, HOOK, CABLE	
13	AS112217	SHOULDER SCREW,HEX,M6 x 32 X 20	
14	AS112211	BOLT, HANDLE RELEASE	
15	AS112216	WASHER, PLAIN, HANDLE RELEASE	
16	AS112203	SCREW PIN, HANDLE RELEASE	
17	AS112212	HANDLE RELEASE	
18	VF14222	SCREW M5 X 12, PH	
19	VF13604	EXTERNAL TOOTH WASHER, ϕ 5	
20	VF47035A	LOGO, VIPER	
21	VF30009	FRONT COVER	
22	VF40114	SAFETY BUTTON	
23	VV60278	HANDLE GRIP	
24	VF48308	SPRING, SAFETY BLOCK	
25	VF48307	SAFETY BLOCK	
26	VF30003	COVER, LEVELING HANDLE	
27	VF13526	HEX SOCKET SCREW,M4 x 30	
28	GT13013	NUT,M4	
29	VF13527	EXTERNAL TOOTH WASHER ϕ 4	
30	VF48303B	LEVER, RIGHT, SWITCH	
31	VF14212	SCREW M3 x 25,PH	
32	VF13511	WASHER, LOCK, INTERNAL TOOTH	
33	VF44203	SWITCH ASSY	
34	VV13661	SCREW,M4 x 12,PH	
35	VF48309	CLAMP BLOCK, CORD, HANDLE	
36	VF13528	EXTERNAL TOOTH WASHER ϕ 6	
37	VF14218	SCREW M6 x 45, PH	
38	VF14223	SCREW M6 x 25, PH	
39	VF53108	REAR COVER, HANDLE	
40	AS22009	STRAIN RELIEF, CORD, POWER SUPPLY	
41	VF45119	CORD, POWER SUPPLY	
42	VF48303	LEVER, LEFT, SWITCH	
43	VF48306	PIN	
44	VF50011	COVER, LEVER, SOLUTION	
45	VF99010C	CIRCUIT BREAKER,17AMPS	
46	VF45124	JUMP WIRE	
*	VF00048	HEAVY DUTY HANDLE RELEASE UPDATE KIT	

HANDLE GROUP FOR VN1500



HANDLE ASSEMBLY - VN1500 (Serial #301+)

DIA NO	PART NUMBER	DESCRIPTION	NO REQ'D
1	VF53109	TUBE, HANDLE, VN1500	1
2	VF13493	SCREW, HEX SOCKET, M6 x 10	1
3	VF30013	HOOK, CABLE	1
4	VF14114	SCREW, HEX, M8 x 55	1
5	VF13517	WASHER, PLAIN, M10 x M20 x 2.5	1
6	VF13504	NUT, NYLON INSERT, M10	1
7	VF30011	CLAMP BLOCK, HANDLE	2
8	VF14053	SCREW, HEX SOCKET, M6 x 25	4
9	VF50120	GROMMET	1
10	AS41902	PLUG PROTECTOR, LARGE FEMALE	1
11	VF45120	CORD, HANDLE, 14/3C	1
12	VF30014	COVER, HOOK, CABLE	1
13	VF13503	NUT, M8, NYLON INSERT	1
14	VF30015	BOLT, HANDLE RELEASE	1
15	VF30018	WASHER, PLAIN, HANDLE RELEASE	2
16	VF30017	SCREW PIN, HANDLE RELEASE	1
17	VF30016	HANDLE RELEASE	1
18	VF14222	SCREW, PH, M5 X 12	4
19	VF13604	EXTERNAL TOOTH WASHER, M5	4
20	VF47035A	LOGO, VIPER	1
21	VF30101	FRONT COVER, SWITCH HOUSING	1
22	VF48310	HANDLE GRIP	2
23	GV40218	SPRING, SAFETY BLOCK	1
24	VF46705	SAFETY BLOCK	1
25	VF30109	COVER, LEVELING HANDLE	1
26	VF13526	SCREW, HEX SOCKET, M4 x 30	1
27	GT13013	NUT, M4	3
28	VF13527	EXTERNAL TOOTH WASHER, M4	1
29	VF30104	TRIGGER, RIGHT, SWITCH	1
30	VF14212	SCREW, PH, M3 x 25	2
31	VF13511	WASHER, LOCK, INTERNAL TOOTH	2
32	VF44203	SWITCH ASSEMBLY	1
33	VF99010C	CIRCUIT BREAKER, 17AMPS	1
34	VV13661	SCREW, PH, M4 x 12	2
35	VF48309	CLAMP BLOCK, CORD, HANDLE	1
36	VF13528	EXTERNAL TOOTH WASHER, M6	2
37	VF14218	SCREW, PH, M6 x 45	2
38	VF14223	SCREW, PH, M6 x 25	2
39	VF30102	REAR COVER, SWITCH HOUSING	1
40	AS22009	STRAIN RELIEF, CORD, POWER SUPPLY	1
41	VF45119	CORD, POWER SUPPLY	1
42	VF30103	TRIGGER, LEFT, SWITCH	1
43	VF48306	PIN	2
44	VF53111	COVER, LEVER, SOLUTION	1
45	VF45124	JUMP WIRE	1