

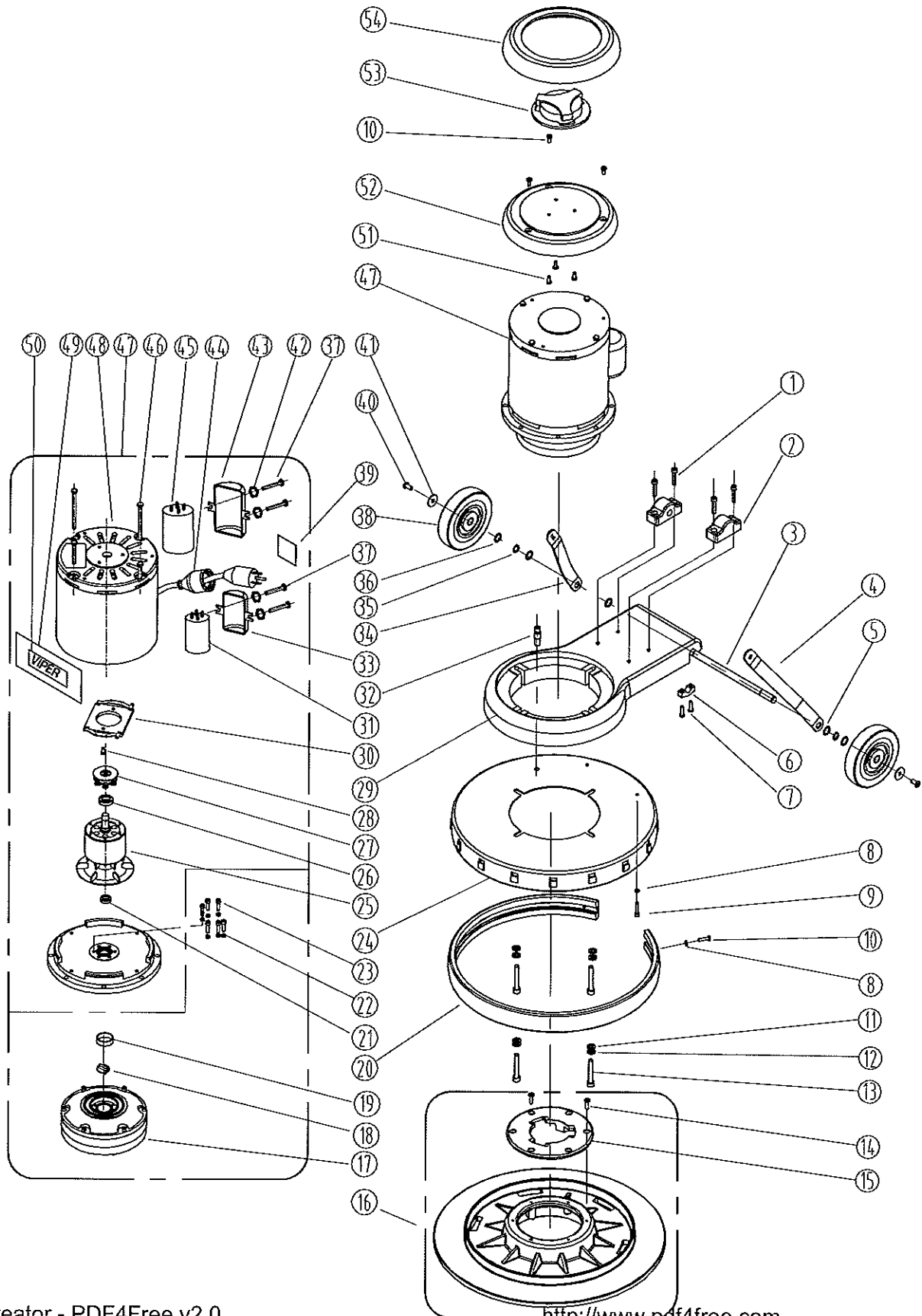
VIPER

VENOM

VN2015/1715

FLOOR MACHINE

BASE GROUP FOR VN1715 & VN2015



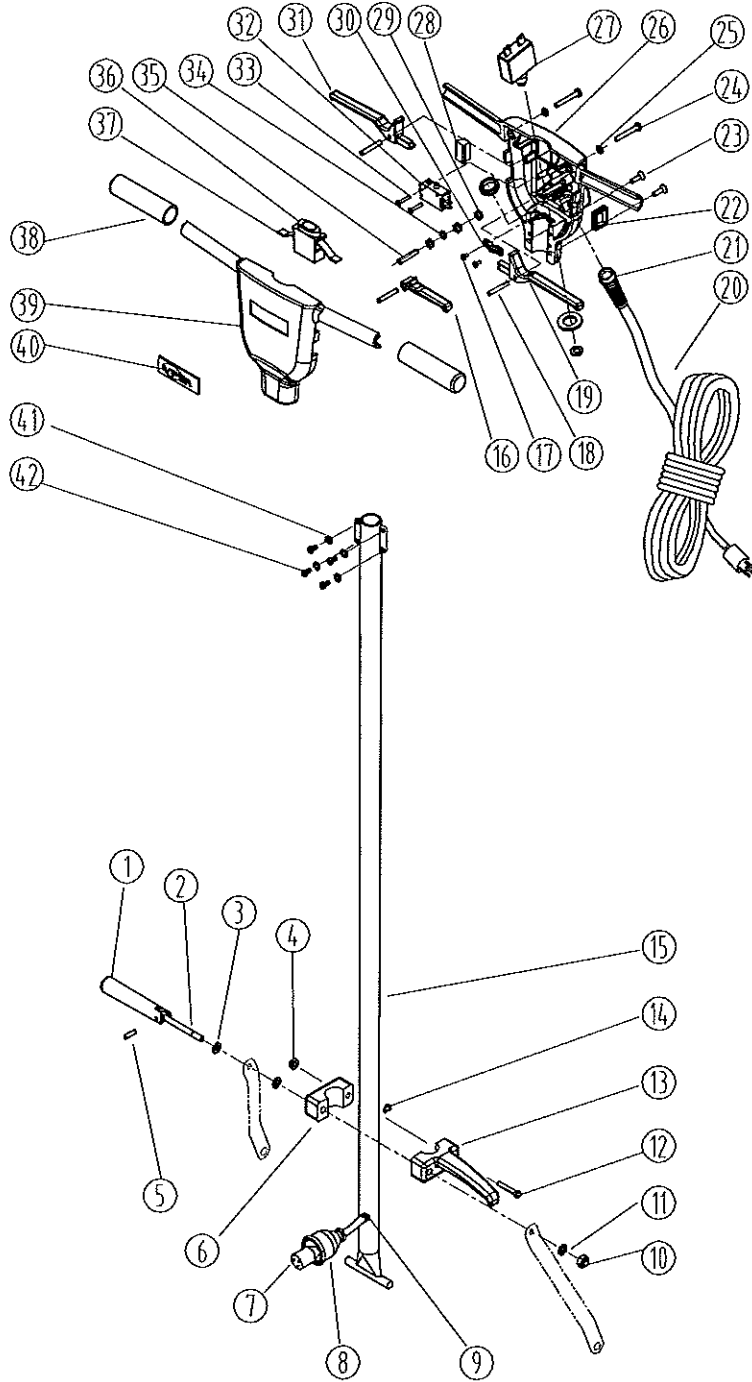
BASE ASSEMBLY - VN1715 & VN2015

DIA NO	PART NUMBER	DESCRIPTION	NO REQ'D
1	GT13080	SCREW, M6 X 30	4
2	VF30011	CLAMP BLOCK, HANDLE	1
3	VF30026	AXLE	1
4	VF30020	BRACKET, LEFT HANDLE	1
5	VV20274	WASHER, PLAIN, M13	4
6	GV40235	CLAMP BLOCK, AXLE	2
7	VV13621	SCREW, SELF-TAPPING, M5 X 20	4
8	VF13474A	WASHER, PLAIN, M5	4
9	VF13613	SCREW, M5 X 20	2
10	VA13474	SCREW, M5 X 16	5
11	VF13524	WASHER, PLAIN, M8	4
12	VF13519	WASHER, LOCK, M8	4
13	GT13016	SCREW, M8 X 55	4
14	MF-VF002-4A	SCREW, SELF-TAPPING, 1/4"-1"	6
15	MF-VF002-2	CLUTCH PLATE	1
16	MF-VF022	PAD HOLDER, 19-INCH, (VN2015)	1
	MF-VF021	PAD HOLDER, 16-INCH, (VN17105)	1
17	VF999802B	GEAR BOX	1
18	VF99021	COUPLER	1
19	MT01102	SLEEVE	1
20	VF30004	BUMPER, 20-INCH, (VN2015)	1
	VF30005	BUMPER, 17-INCH, (VN1715)	1
21	VF999821	BEARING, 6002 LLU	1
22	VV13601	WASHER, LOCK, M5	6
23	VV13636	SCREW, M5 X 30	6
24	VF30006	SHROUD, 20-INCH, (VN2015)	1
	VF30006A	SHROUD & BUMPER ASSY, 20-INCH	1
	VF30007	SHROUD, 17-INCH, (VN1715)	1
	VF30007A	SHROUD & BUMPER ASSY, 17-INCH	1
	VF30024A	SHROUD & BUMPER ASSY, 15-INCH (OPTIONAL)	0
	VF30023A	SHROUD & BUMPER ASSY, 13-INCH (OPTIONAL)	0
25	YCQ11200	ROTOR WITH FAN ASSY	1
26	YCQ10501	BEARING, 6203 RZ	1
27	YCQ10300A	CENTRIFUGAL SWITCH	1
28	VV20509	SCREW, M5 X 10	2
29	VF30008	ALUMINIUM BASE, MOTOR	1
30	YCQ10300B	STATIONARY SWITCH	1
31	VF999854	CAPACITOR, RUN, 50uF / 250V	1
32	VF40152	HOSE BARB	1
33	YLQ14601	MOUNTING FRAME, CAPACITOR, (SMALL)	1
34	VF30019	BRACKET, HANDLE, RIGHT	1
35	VF13520	WASHER, LOCK	2
36	VF50119	WASHER, PLAIN, M12	2
37	VF14214	SCREW, M5 X 8	4
38	VF48202	WHEEL, 5"	2
39	VF40994	LABEL, READ MANUAL	1
40	VF44012	SCREW, M6 X 12.7	2
41	VF13666	WASHER, M6	2
42	VF13604	WASHER, LOCK, EXTERNAL TOOTH	4
43	YCQ10615	MOUNTING FRAME, CAPACITOR, (LARGE)	1
44	AS41902	PLUG PROTECTOR, LARGE FEMALE	1
45	VF999805	CAPACITOR, START, 400-450UF / 150V, (LARGE)	1
46	YLQ17507	BOLT ASSY	4
47		SEE #17 & #46	
48	VF999787	MOTOR, 110V, 1.5HP	1
49	VF44003	LABEL, MOTOR	1

DIA NO	PART NUMBER	DESCRIPTION	NO REQ'D
50	VF41079	LABEL, VIPER	1
51	VF14222	SCREW, M5 X 12	3
52	VF30001	TOP COVER, MOTOR	1
53	VF30002	CLUTCH PLATE	1
54	VF47023	BUMPER	1

PARTS LIST

HANDLE GROUP FOR VN1715 & VN2015



HANDLE ASSEMBLY - VN1715 & VN2015

DIA NO	PART NUMBER	DESCRIPTION	NO REQ'D
1	VF30016	HANDLE RELEASE	1
2	VF30015	BOLT, HANDLE RELEASE	1
3	VF30018	WASHER, PLAIN	2
4	VF13503	NUT, LOCK, M8 X 5.7	1
5	VF30017	SCREW	1
6	VF30014	COVER, HOOK	1
7	VF45120	CORD, HANDLE	1
8	AS41901	PLUG PROTECTOR, SMALL MALE	1
9	VF50120	GROMMET	1
10	VF13504	NUT, LOCK, M10	1
11	VF13517	WASHER, PLAIN	1
12	VF14114	SCREW, M8 X 55	1
13	VF30013	HOOK, CORD	1
14	VF13493	SCREW, M6 X 10	1
15	AS112205	TUBE	1
16	VF44018	LEVER, SOLUTION	1
17	VV13661	SCREW, M4 X 12	2
18	VF48306	PIN	3
19	VF44016	TRIGGER, LEFT, SWITCH	1
20	VF45119	CORD, POWER SUPPLY	1
21	AS22009	STRAIN RELIEF, CORD	1
22	VF30108	GASKET, HANDLE, SOLUTION	1
23	VF14223	SCREW, M6 X 25	2
24	VF14218	SCREW, M6 X 45	2
25	VF13528	TOOTH WASHER, M6	2
26	VF30102	REAR COVER, SWITCH HOUSING	1
27	VF99010C	CIRCUIT BREAKER, 17A	1
28	VF30109	COVER	1
29	GT13013	NUT, M4	3
30	VF48309	CLAMP, BLOCK	1
31	VF44017	TRIGGER, RIGHT, SWITCH	1
32	VF44203	SWITCH ASSEMBLY	1
33	VF14212	SCREW, M3 X 25	2
34	VF13527	TOOTH WASHER, M4	1
35	VF13526	SCREW, M4 X 30	1
36	VF46705	SAFETY BUTTON	1
37	GV40218	SPRING, SAFETY BUTTON	1
38	VF48310	HANDLE GRIP	2
39	VF30101	FRONT COVER, SWITCH HOUSING	1
40	VF47035A	LOGO	1
41	VF13604	TOOTH WASHER, M5	4
42	VF14222	SCREW, M5 X 12	4