

VIPER

VENOM

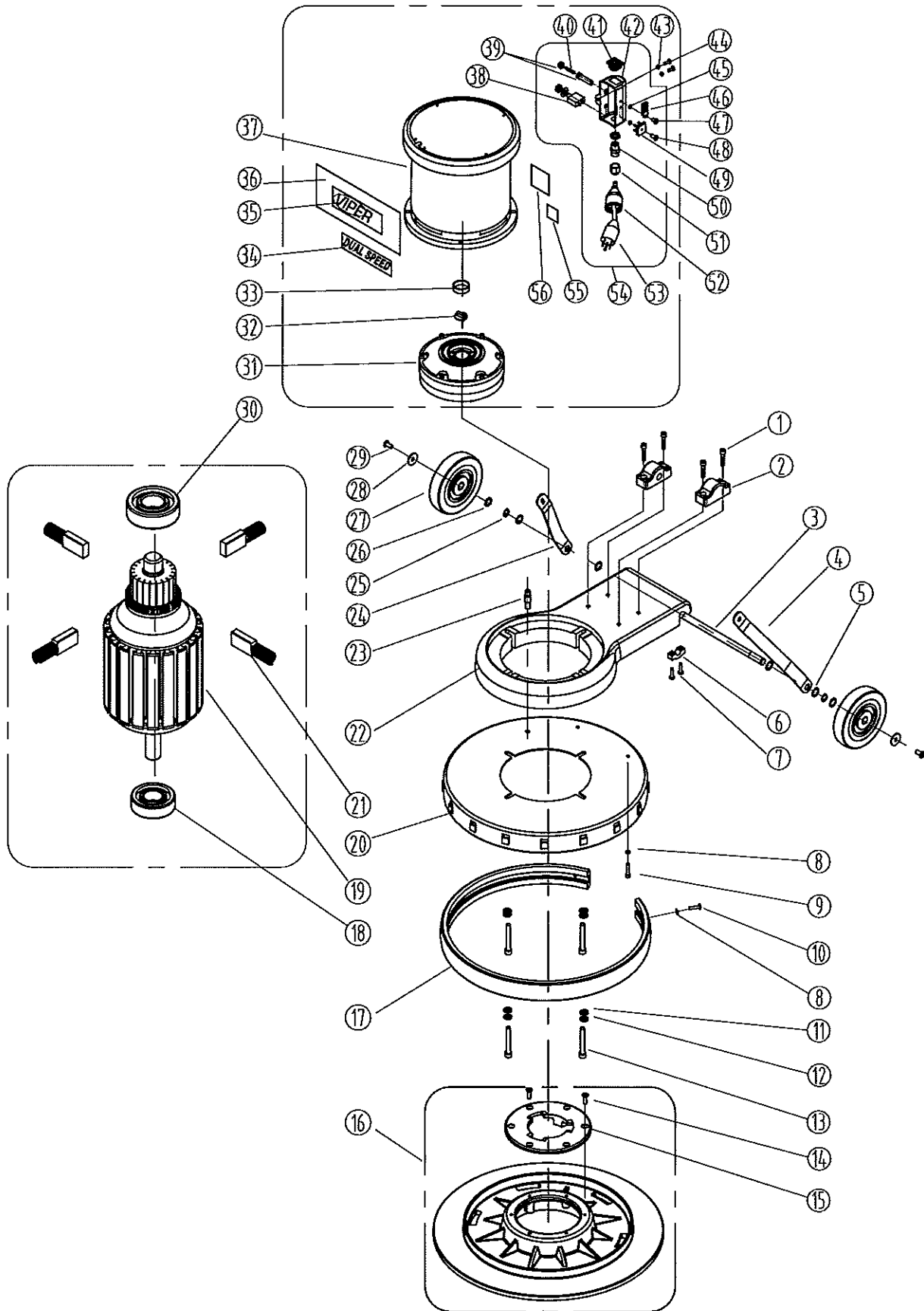
VN20DS

DUAL SPEED

FLOOR MACHINE

*****PLEASE MAKE SURE YOUR SERIAL NUMBER MATCHES TO
ENSURE CORRECT PARTS ARE BEING ORDERED*****

BASE GROUP FOR VN20DS



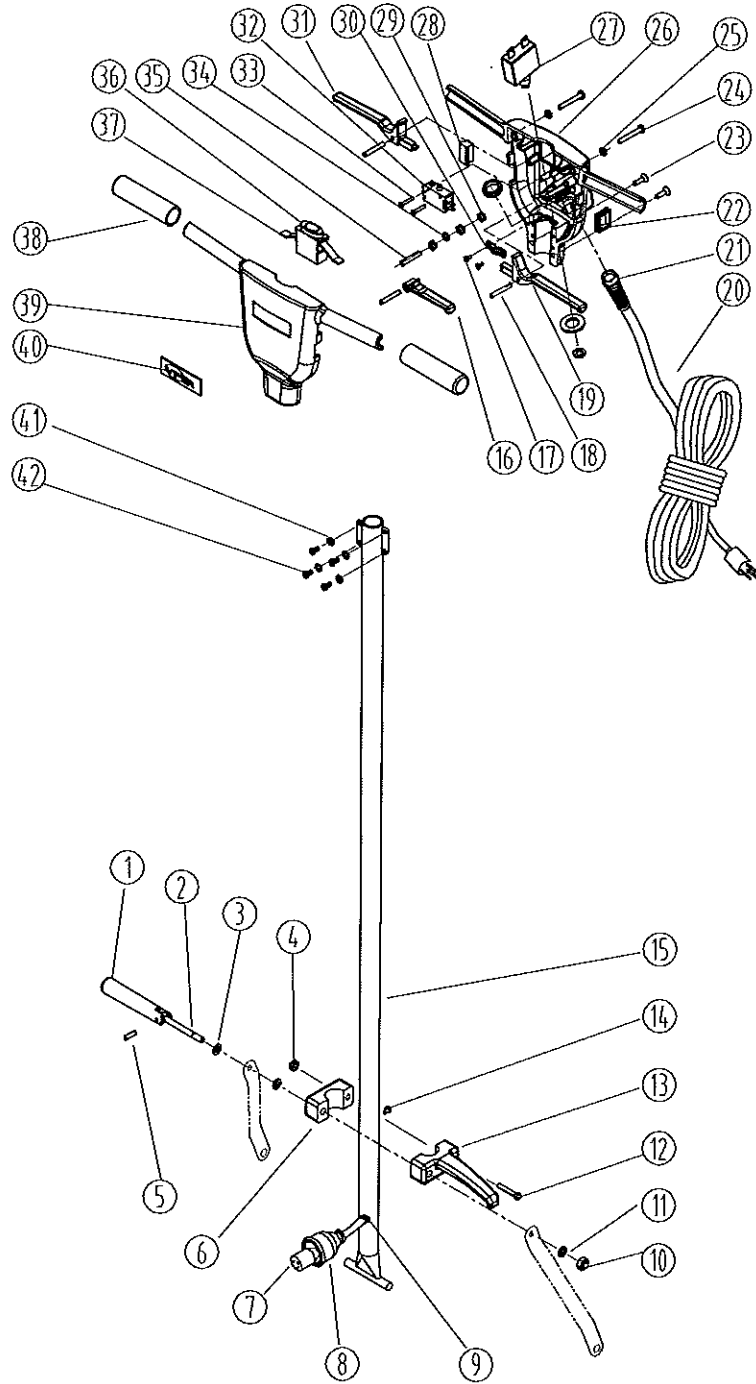
BASE ASSEMBLY - VN20DS

DIA NO	PART NUMBER	DESCRIPTION	NO REQ'D
1	GT13080	SCREW, M6 X 30	4
2	VF30011	CLAMP BLOCK, HANDLE	1
3	VF30026	AXLE	1
4	VF30020	BRACKET, LEFT HANDLE	1
5	VV20274	WASHER, PLAIN, M13	4
6	GV40235	CLAMP BLOCK, AXLE	2
7	VV13621	SCREW, SELF-TAPPING, M5 X 20	4
8	VF13474A	WASHER, PLAIN, M5	4
9	VF13613	SCREW, M5 X 20	2
10	VA13474	SCREW, M5 X 16	5
11	VF13524	WASHER, PLAIN, M8	4
12	VF13519	WASHER, LOCK, M8	4
13	VF13618	SCREW, 5/16" X 2 1/4"	4
14	MF-VF002-4A	SCREW, SELF-TAPPING, 1/4"-1"	6
15	MF-VF002-2	CLUTCH PLATE	1
16	MF-VF022	PAD HOLDER, 19-INCH	1
17	VF30004	BUMPER, 20-INCH	1
18	ZD48315	BEARING, #6002Z	1
19	ZD48200	SHAFT & ROTOR ASSEMBLY	1
20	VF30006	SHROUD, 20-INCH	1
21	VF99926-2	KIT, CARBON BRUSH (4 PCS)	1
22	VF30008	ALUMINUM BASE, MOTOR	1
23	VF40152	HOSE BARB	1
24	VF30019	BRACKET, HANDLE, RIGHT	1
25	VF13520	WASHER, LOCK	2
26	VF50119	WASHER, LOCK, M12	2
27	VF48202	WHEEL, 5"	2
28	VF13666	WASHER, M6	2
29	VF44012	SCREW, M6 X 12.7	2
30	ZD40225	BEARING, #6203Z	1
31	VF999802B	GEAR BOX	1
32	VF99021	COUPLING	1
33	MT01102	SLEEVE	1
34	VF40990	LABEL, DUAL SPEED	1
35	VF41079	LABEL, VIPER	1
36	ZD48310	LABEL, MOTOR	1
37	ZD48000	MOTOR, DUAL SPEED, 1.5 HP	1
38	ZD48320	CIRCUIT BREAKER, 30A	1
39	ZD48321	FUSE CARTRIDGE	1
40	ZD48322	FUSE	1
41	VA91347	SWITCH ASSEMBLY	1
42	ZD48309	SHELL	1
43	VF13604	WASHER, TOOTH, M5	2
44	VF14214	SCREW, M5 X 8	2
45	GT13014	NUT, NYLON INSERT, M4	2

46	ZD48316-A	TRIAC (serial #0340 +)	1
	VF99006-1	TRIAC (up to serial #0339)	1
	ZD48317	DIODE	1
	ZD48318	CAPACITOR, 2G, 223J (0.022uF/400V)	1
	ZD48323	RESISTOR, 270K, 1/4 W	1
47	GT13048	SCREW, M4 X 12	1
48	VA13473	SCREW, M4 X 16	1
49	VF44204	RECTIFIER	1
50	VV67405	CORD STRAIN RELIEF	1
51	VV67405-1A	NUT	1
52	AS41902	PLUG PROTECTOR, LARGE FEMALE	1
53	VF999794	CORD, MOTOR	1
54	ZD48330	KIT, SPEED ADJUSTMENT	1
55	VF40994	LABEL, READ MANUAL	1
56	VF40997	SERIAL TAG	1

PARTS LIST

HANDLE GROUP FOR VN20DS



HANDLE ASSEMBLY - VN20DS

DIA NO	PART NUMBER	DESCRIPTION	NO REQ'D
1	VF30016	HANDLE RELEASE	1
2	VF30015	BOLT, HANDLE RELEASE	1
3	VF30018	WASHER, PLAIN	2
4	VF13503	NUT, LOCK, M8 X 5.7	1
5	VF30017	SCREW	1
6	VF30014	COVER, HOOK	1
7	VF45120	CORD, HANDLE	1
8	AS41901	PLUG PROTECTOR, SMALL MALE	1
9	VF50120	GROMMET	1
10	VF13504	NUT, LOCK, M10	1
11	VF13517	WASHER, PLAIN	1
12	VF14114	SCREW, M8 X 55	1
13	VF30013	HOOK, CORD	1
14	VF13493	SCREW, M6 X 10	1
15	AS112205	TUBE	1
16	VF44018	LEVER, SOLUTION	1
17	VV13661	SCREW, M4 X 12	2
18	VF48306	PIN	3
19	VF44016	TRIGGER, LEFT, SWITCH	1
20	VF45119	CORD, POWER SUPPLY	1
21	AS22009	CORD STRAIN RELIEF	1
22	VF30108	GASKET, HANDLE, SOLUTION	1
23	VF14223	SCREW, M6 X 25	2
24	VF14218	SCREW, M6 X 45	2
25	VF13528	TOOTH WASHER, M6	2
26	VF30102	REAR COVER, SWITCH HOUSING	1
27	VF99012	CIRCUIT BREAKER, 12A / 1.5HP	1
28	VF30109	COVER	1
29	GT13013	NUT, M4	3
30	VF48309	CLAMP, BLOCK	1
31	VF44017	TRIGGER, RIGHT, SWITCH	1
32	VF44203	SWITCH ASSEMBLY	1
33	VF14212	SCREW, M3 X 25	2
34	VF13527	TOOTH WASHER, M4	1
35	VF13526	SCREW, M4 X 30	1
36	VF46705	SAFETY BUTTON	1
37	GV40218	SPRING, SAFETY BUTTON	1
38	VF48310	HANDLE GRIP	2
39	VF30101	FRONT COVER, SWITCH HOUSING	1
40	VF47035A	LOGO	1
41	VF13604	TOOTH WASHER, M5	4
42	VF14222	SCREW, M5 X 12	4