

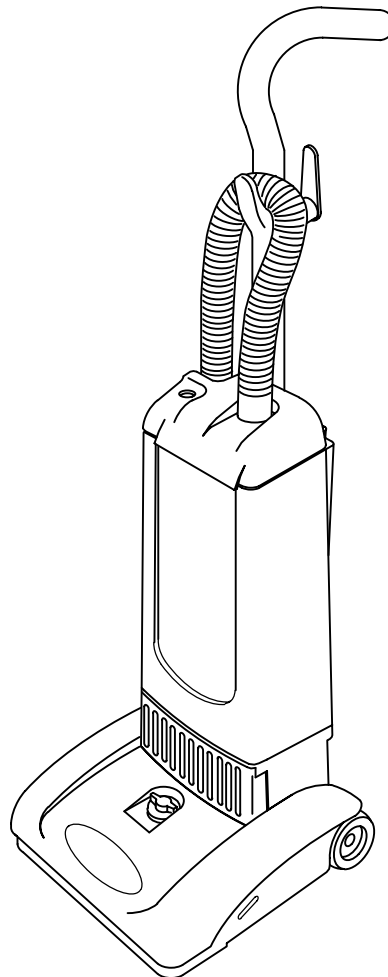


# Viper<sup>®</sup>

Upright Vacuum Cleaner

**Model No.:**  
**608669**

**Operator and Parts Manual**

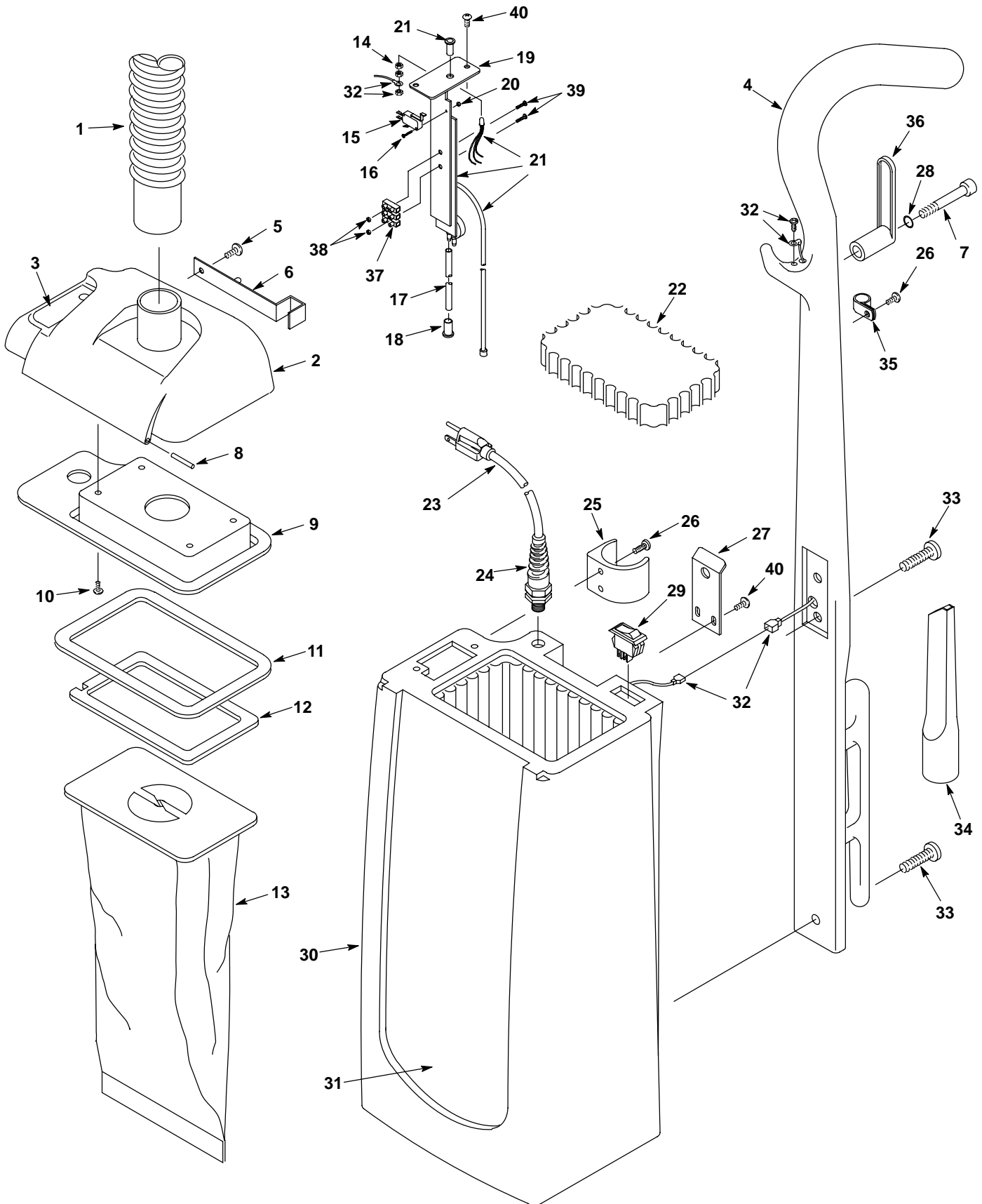


**NOBLES**  
12875 RANSOM STREET  
HOLLAND MI 49424 U.S.A.

**CUSTOMER SERVICE: 1-800-365-6625**  
**FAX: 1-800-678-4240**

**608680**  
**Rev. 01 (01-00)**

BAG HOUSING GROUP



BAG HOUSING GROUP

| REF | PART #    | DESCRIPTION                       | QTY. |
|-----|-----------|-----------------------------------|------|
| 1   | 605011    | ●ASM., VAC HOSE WAND (see pg. 12) | 1    |
| 2   | 608678    | LID, BAG HOUSING, GREEN           | 1    |
| 3   | 605998    | DECAL, INDICATOR LIGHT            | 1    |
| 4   | 609417    | HANDLE, GREEN                     | 1    |
| 5   | 604930    | SCREW, M5X.8X10                   | 1    |
| 6   | 605016    | LATCH, LID                        | 1    |
| 7   | 200017494 | SCREW, M8X30                      | 1    |
| 8   | 603114    | DOWEL, 1/8 DIA X 1-1/4"           | 2    |
| 9   | 604836    | PLATE, BOTTOM LID                 | 1    |
| 10  | 140825    | SCREW, #6X1/2                     | 4    |
| 11  | 604834    | ●GASKET, LID OUTER                | 1    |
| 12  | 604833    | ●GASKET, LID INNER                | 1    |
| 13  | 604838    | ●BAG, PAPER (100 CASE)            | 1    |
| 14  | 140297    | NUT, M5X.8 HEXLOCK                | 2    |
| 15  | 604839    | ●SWITCH, SNAP ACTION ON/OFF       | 1    |
| 16  | 200070266 | SCREW, M3X.5X16                   | 2    |
| 17  | 606357    | HOSE, 1/8ID X 1/4OD, 18"          | 1    |
| 18  | 605984    | BUSHING, BAG-FULL-HOSE            | 1    |
| 19  | 604835    | BRACKET, SWITCH/LIGHT             | 1    |
| 20  | 579211    | NUT, M3X.5 HEX                    | 2    |
| 21  | 605994    | ●CONTROL BOARD (120 VOLT)         | 1    |
|     | 605995    | ●CONTROL BOARD (240 VOLT)         | 1    |
| 22  | 604832    | ●FILTER, VAC MOTOR (SECONDARY)    | 1    |
| 23  | 604842    | ●CORD, 18/3 X 40' GRAY (120 VOLT) | 1    |
|     | 600398    | ●CORD, 3 X 1 x 12M (240 VOLT)     | 1    |

| REF | PART #    | DESCRIPTION                        | QTY. |
|-----|-----------|------------------------------------|------|
| 24  | 130166    | ●CORD GRIP, NYLON/BLK W/NUT        | 1    |
| 25  | 604847    | ●CLIP, WAND                        | 1    |
| 26  | 607006    | SCREW, M4X.7X12                    | 3    |
| 27  | 604844    | STRIKE, LID LATCH                  | 1    |
| 28  | 204001009 | ●O-RING, 7.66MM ID X 1.78MM WIDE   | 1    |
| 29  | 039708037 | ●SWITCH, ROCKER ON/OFF (120 VOLT)  | 1    |
|     | 602669    | ●SWITCH, ROCKER ON/OFF (240 VOLT)  | 1    |
| 30  | 609415    | HOUSING, BAG, GREEN                | 1    |
| 31  | 605013    | DECAL, VIPER LOGO                  | 1    |
| ▽32 | 607286    | KIT, ANTI-STATIC WIRING            | 1    |
| ▲   | 130130    | TERMINAL, RING #10                 | 1    |
| ▲   | 140297    | NUT, M5X.8 HEX SS                  | 1    |
| ▲   | 607284    | ASM., WIRE #18X18GRN 1/4F          | 1    |
| ▲   | 130133    | TERMINAL, 1/4M                     | 1    |
| ▲   | 607285    | ASM., WIRE #18X18GRN #6 RING       | 1    |
| ▲   | 140825    | SCREW, #6X1/2                      | 1    |
| 33  | 605557    | SCREW, M6X1X30                     | 2    |
| 34  | 604804    | ●TOOL, CREVICE 35MM (1.38")        | 1    |
| 35  | 579223    | ●CLAMP, CORD                       | 1    |
| 36  | 604846    | ●HOOK, CORD QUICK-RELEASE          | 1    |
| 37  | 130005    | STRIP, TERMINAL 25 AMP (240V ONLY) | 1    |
| 38  | 140534    | NUT, 6-32 (240V ONLY)              | 2    |
| 39  | 140879    | SCREW, 6-32X3/4 (240V ONLY)        | 2    |
| 40  | 606694    | SCREW, M4X.7X8                     | 4    |

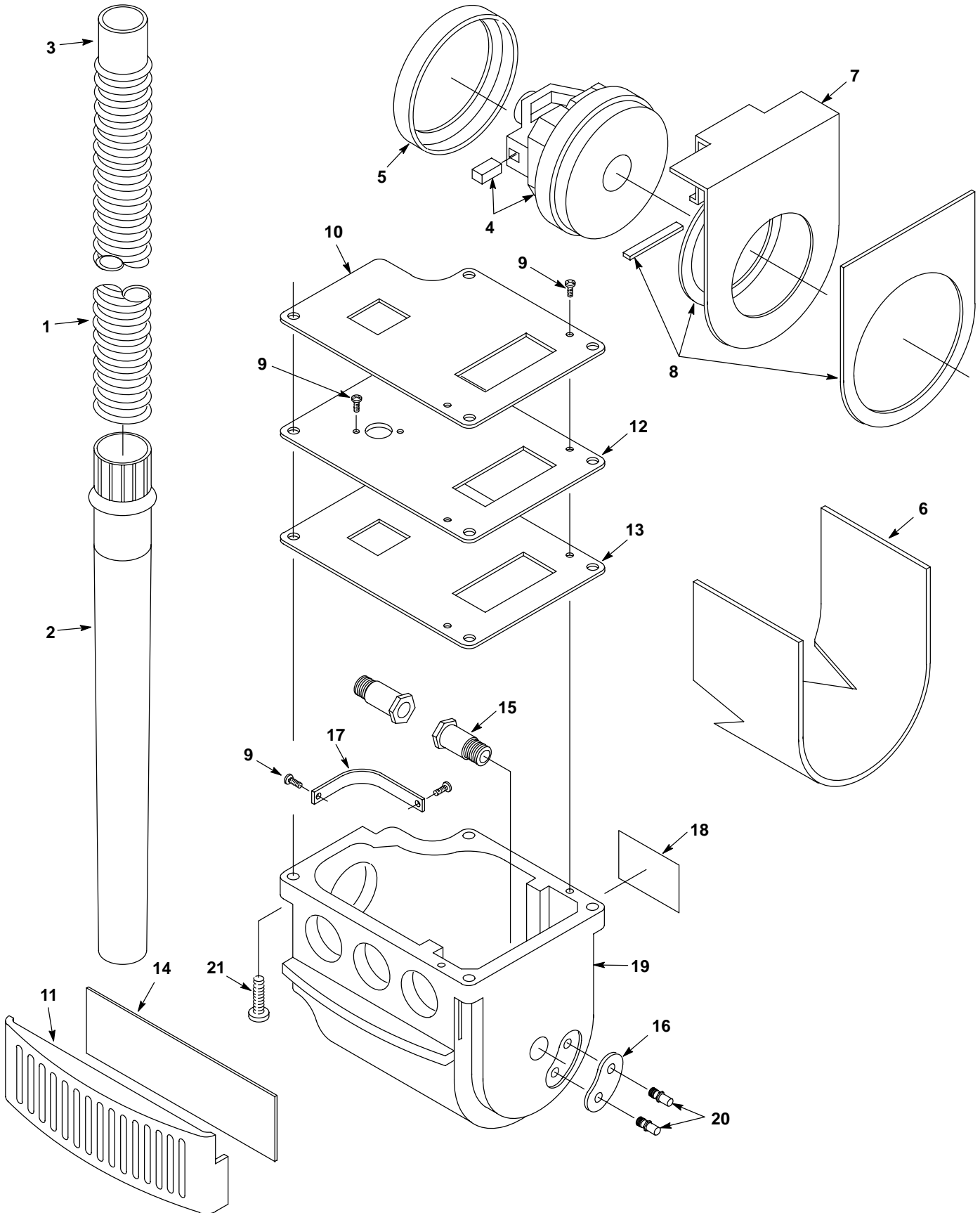
▽ ASSEMBLY

▲ INCLUDED IN ASSEMBLY

● RECOMMENDED STOCK ITEMS

Line 11:  
Part Number 604834  
now replaced by  
604833

VACUUM MOTOR HOUSING GROUP



## VACUUM MOTOR HOUSING GROUP

| REF | PART # | DESCRIPTION                  | QTY. |
|-----|--------|------------------------------|------|
| ▽   | 605011 | ●ASM., VAC HOSE WAND         | 1    |
| ▲1  | 604840 | HOSE, VAC WAND 1-1/4 ID      | 1    |
| ▲2  | 604841 | WAND, 35MM ID X 19 LG SWIVEL | 1    |
| ▲3  | 604929 | CUFF, 1-1/4"                 | 1    |
| 4   | 604815 | ●MOTOR, VAC 5.1" 120V        | 1    |
|     | 605996 | ●MOTOR, VAC 5.1" 240V        | 1    |
|     | 606382 | ●CARBON BRUSH 120V (2 pack)  | 2    |
|     | 606417 | ●CARBON BRUSH 240V (2 pack)  | 2    |
| 5   | 604816 | GASKET, VAC MOTOR            | 1    |
| 6   | 604822 | FOAM, NOISE 1/4X14-1/4X5     | 1    |
| 7   | 604826 | INLET PLATE, VAC MOTOR       | 1    |
| 8   | 605080 | GASKET, INLET PLATE          | 1    |
| 9   | 607006 | SCREW, M4X.7X12              | 6    |
| 10  | 606732 | GASKET, UPPER CLAMP PLATE    | 1    |
| 11  | 608679 | COVER, EXHAUST FILTER, GREEN | 1    |

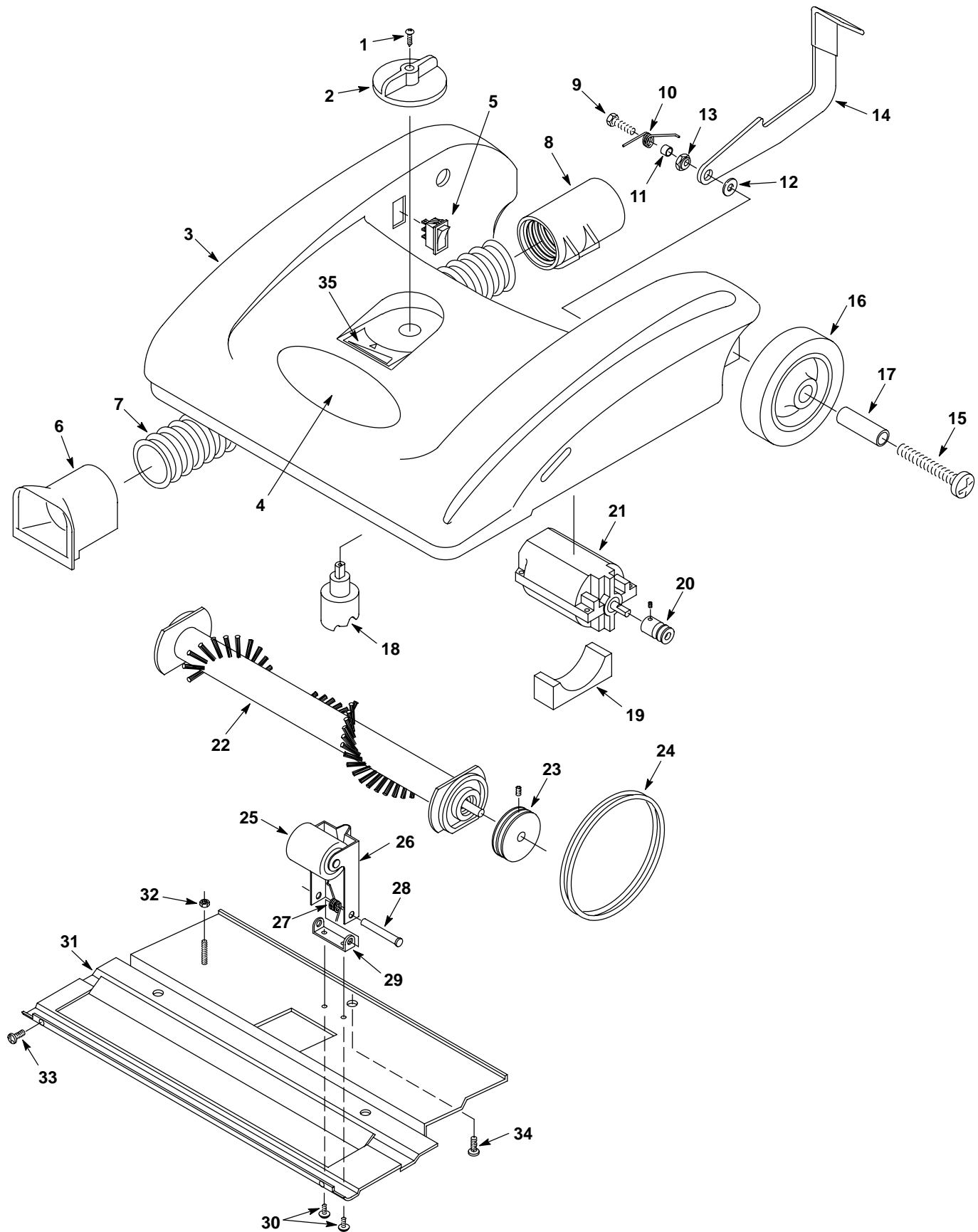
| REF | PART # | DESCRIPTION                  | QTY. |
|-----|--------|------------------------------|------|
| 12  | 606730 | CLAMP PLATE, VAC MOTOR       | 1    |
| 13  | 606731 | GASKET, LOWER CLAMP PLATE    | 1    |
| 14  | 606982 | ●FILTER, EXHAUST (3 PACK)    | 1    |
| 15  | 604813 | SCREW, SHOULDER PIVOT        | 2    |
| 16  | 606723 | PLATE, FOOT LATCH            | 1    |
| 17  | 604830 | STRAP, WAND CUFF             | 1    |
| 18  | 602595 | DECAL, WARNING VACUUM CSA    | 1    |
| 19  | 609413 | HOUSING, VACUUM MOTOR, GREEN | 1    |
| 20  | 604827 | STUD, FOOT-LATCH             | 2    |
| 21  | 605557 | SCREW, M6X1.0X30             | 4    |
| N/S | 605981 | HARNESS, LOWER WIRE          | 1    |

▽ ASSEMBLY

▲ INCLUDED IN ASSEMBLY

● RECOMMENDED STOCK ITEMS

BRUSH BASE GROUP



BRUSH BASE GROUP

| REF | PART #    | DESCRIPTION                    | QTY. |
|-----|-----------|--------------------------------|------|
| 1   | 140825    | SCREW, #6X1/2                  | 1    |
| 2   | 604811    | KNOB, HT. ADJUSTMENT           | 1    |
| 3   | 608670    | BASE, GREEN                    | 1    |
| 4   | 608189    | DECAL, "NOBLES"                | 1    |
| 5   | 039708037 | ●SWITCH, ON/OFF ROCKER         | 1    |
| ▽   | 605010    | ●ASM., VAC HOSE                | 1    |
| ▲6  | 604805    | CUFF, BASE INLET               | 1    |
| ▲7  | 604806    | HOSE FLEX 1-1/4 ID             | 1    |
| ▲8  | 604829    | CUFF, WAND                     | 1    |
| 9   | 200031444 | SCREW, M6X1.0X30               | 1    |
| 10  | 604828    | SPRING, TORSION FOOT-LATCH     | 1    |
| 11  | 140154    | SPACER, .25X.38X.31            | 1    |
| 12  | 579210    | WASHER, 6.4X18.0X1.5 FLAT      | 1    |
| 13  | 605078    | BUSHING, FOOT-LATCH ADJUSTMENT | 1    |
| 14  | 604808    | LATCH, FOOT BASE               | 1    |
| 15  | 606983    | SCREW, M8X1.25X40              | 2    |
| ▽16 | 630450    | ●WHEEL, 76 DIA X 22 WD RUBBER  | 2    |
| ▲17 | 103070    | BUSHING, WHEEL                 | 2    |
| 18  | 230754    | ●CAM, HEIGHT ADJUSTER          | 1    |
| 19  | 604812    | GASKET, FOAM BRUSH MTR         | 1    |

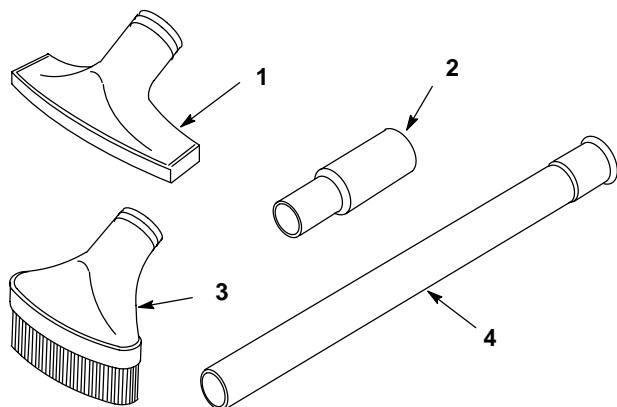
| REF | PART # | DESCRIPTION                   | QTY. |
|-----|--------|-------------------------------|------|
| 20  | 230347 | PULLEY, MOTOR (DOUBLE "V")    | 1    |
| 21  | 130398 | ●MOTOR, BRUSH DRIVE 120 VOLT  | 1    |
|     | 130399 | ●MOTOR, BRUSH DRIVE 240 VOLT  | 1    |
| 22  | 604803 | ●BRUSH ASM.                   | 1    |
| 23  | 230348 | PULLEY, BRUSH (DOUBLE "V")    | 1    |
| 24  | 230349 | ●BELT, BRUSH DRIVE            | 2    |
| ▽   | 501086 | ●ASM., BASE ROLLER & BRACKET  | 1    |
| ▲25 | 26548  | ROLLER, BASE HOUSING FRONT    | 1    |
| ▲26 | 230753 | BRACKET, ROLLER               | 1    |
| ▲27 | 140436 | SPRING, TORSION HT ADJUSTMENT | 1    |
| ▲28 | 140710 | RIVET, AXLE 3/8 X 1.6         | 2    |
| ▲29 | 230769 | BRACKET, ROLLER PIVOT         | 1    |
| 30  | 140264 | SCREW, 8-32X1/4               | 2    |
| 31  | 606733 | SHOE, BASE 14"                | 1    |
| 32  | 140297 | NUT, M5X.8 HEX                | 1    |
| 33  | 606694 | SCREW, M4X.7X8                | 2    |
| 34  | 607006 | SCREW, M4X.7X12               | 3    |
| 35  | 606691 | DECAL, HEIGHT ADJUSTMENT      | 1    |

▽ ASSEMBLY

▲ INCLUDED IN ASSEMBLY

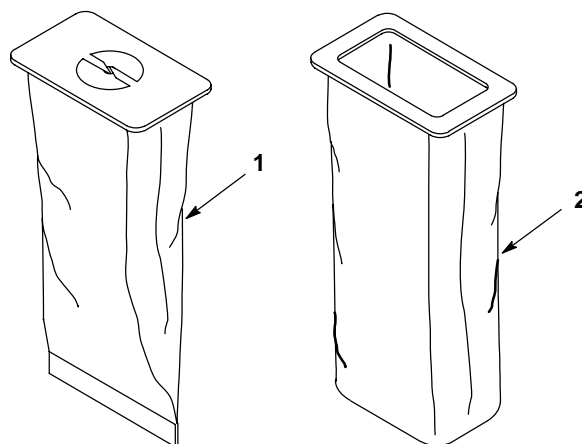
● RECOMMENDED STOCK ITEMS

OPTIONAL ATTACHMENT KIT



| REF | PART # | DESCRIPTION      | QTY. |
|-----|--------|------------------|------|
| ▽   | 604802 | ●KIT, ATTACHMENT | 1    |
| ▲1  | 609194 | UPHOLSTERY TOOL  | 1    |
| ▲2  | 609196 | ADAPTOR          | 1    |
| ▲3  | 609193 | DUSTING BRUSH    | 1    |
| ▲4  | 609195 | EXTENSION WAND   | 1    |

REPLACEMENT BAGS



| REF | PART # | DESCRIPTION               | QTY. |
|-----|--------|---------------------------|------|
| 1   | 604838 | ●BAG, PAPER (CASE OF 100) | 1    |
| 2   | 900034 | ●BAG, CLOTH               | 1    |

# WIRE DIAGRAM

