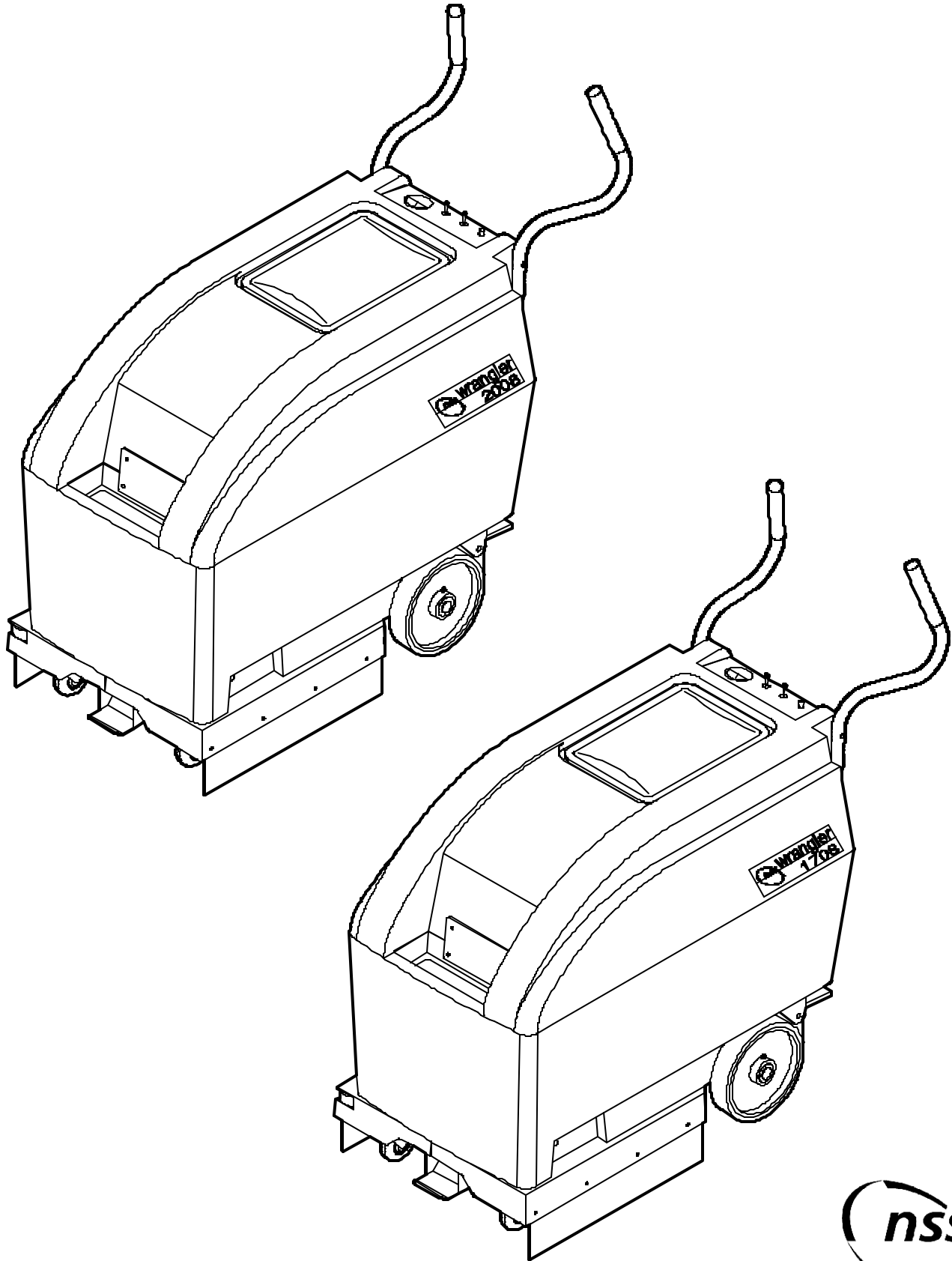


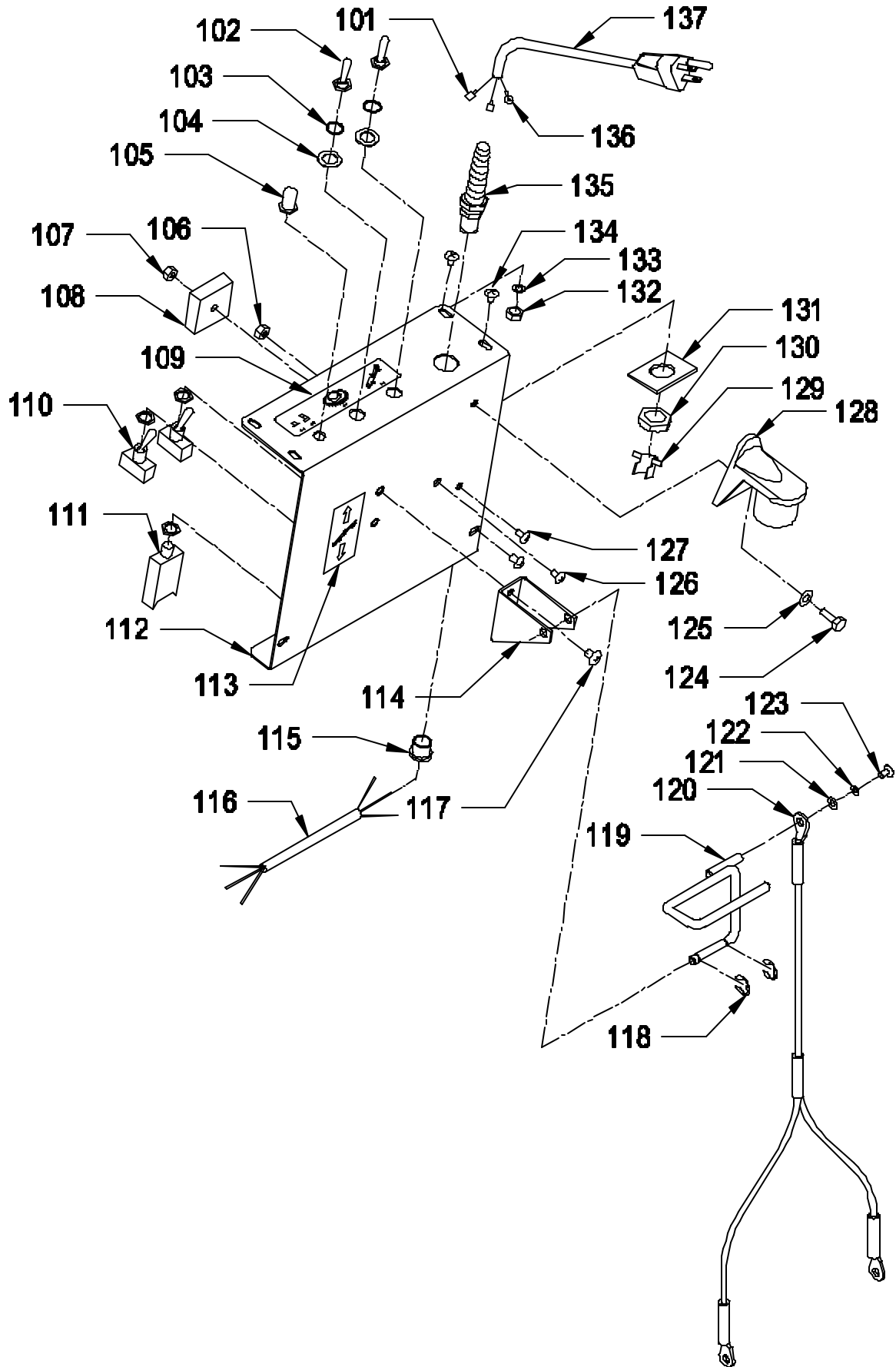
WRANGLER 1708CE, 2008CE



CONTROL PANEL ASSEMBLY

ITEM	PART NO.	DESCRIPTION	QTY.
101	5490161	FULLY INSULATED FEMALE TERMINAL 14-16	2
102	0693141	RUBBER SWITCH BOOT	2
103	0691851	1/2 INTERNAL STAR LOCK WASHER	2
104	9122465	.516 I.D. X .813 O.D. X .027/.030 THICK FLAT WASHER	2
105	4892471	CIRCUIT BREAKER BUTTON SEAL	1
106	9120360	10-24 HEX NUT WITH STAR LOCK WASHER	1
107	9120360	10-24 HEX NUT WITH STAR LOCK WASHER	1
108	5492741	RECTIFIER 60 AMP	1
109	1393381	DECAL KIT - CONTROL PANEL LABEL	1
110	2792041	SWITCH, TOGGLE VACUUM	2
111	2392201	CIRCUIT BREAKER, 120 VOLT	1
	2392701	CIRCUIT BREAKER, 240 VOLT / 5 AMP	1
112	1393193	CONTROL PANEL	1
113	1393381	DECAL KIT - SQUEEGEE LIFT LABEL	1
114	1392843	LIFT BRACKET - SQUEEGEE	1
115	5293131	GROMMET	1
116	1393111	CABLE ASSEMBLY - BRUSH MOTOR	1
117	9120990	1/4-20 X 3/8 TRUSS HEAD PHILLIPS MACHINE SCREW	2
118	1390941	5/16 E RING	2
119	2395921	SQUEEGEE LIFT HANDLE	1
120	2495301	"Y" SQUEEGEE LIFT CABLE	1
121	9120370	7/32 I.D. X 1/2 O.D. X .032/.065 THICK SAE FLAT WASHER (10)	1
122	9120320	10 SPLIT LOCK WASHER	1
123	9120380	10-24 X 3/8 ROUND HEAD PHILLIPS MACHINE SCREW	1
124	9121250	1/4-20 X 3/4 HEX BOLT WITH NYLON PATCH	1
125	9120930	9/32 I.D. X 5/8 O.D. X .051/.080 THICK SAE FLAT WASHER (1/4)	1
126	9120420	10-24 X 5/8 ROUND HEAD PHILLIPS MACHINE SCREW	1
127	9120380	10-24 X 3/8 ROUND HEAD PHILLIPS MACHINE SCREW	1
128	4890033	DRAIN HOSE PLUG	1
129	5091661	CORD CLAMP - 120 VOLT	1
	0299661	CORD CLAMP - 240 VOLT	1
130	5390261	STRAIN RELIEF NUT - 120 VOLT	1
	0891131	PLASTIC STRAIN RELIEF NUT - 240 VOLT	1
131	2392413	STRAIN RELIEF PLATE - 115 VOLT ONLY	1
132	9120900	1/4-20 HEX NUT WITH NY-LOK INSERT	1
133	9120930	9/32 I.D. X 5/8 O.D. X .051/.080 THICK SAE FLAT WASHER (1/4)	1
134	9120740	10-32 X 3/8 TRUSS HEAD PHILLIPS MACHINE SCREW	6
135	5091671	STRAIN RELIEF - 120 VOLT	1
	0299531	STRAIN RELIEF - 240 VOLT	1
136	0298981	#10 RING TERMINAL - 240 VOLT	1
137	5293791	CORD - 75 FEET - 14-3 ST - 120 VOLT	1
	0299671	SHUKO CORD - 75 FEET - 16-3 - 240 VOLT	1

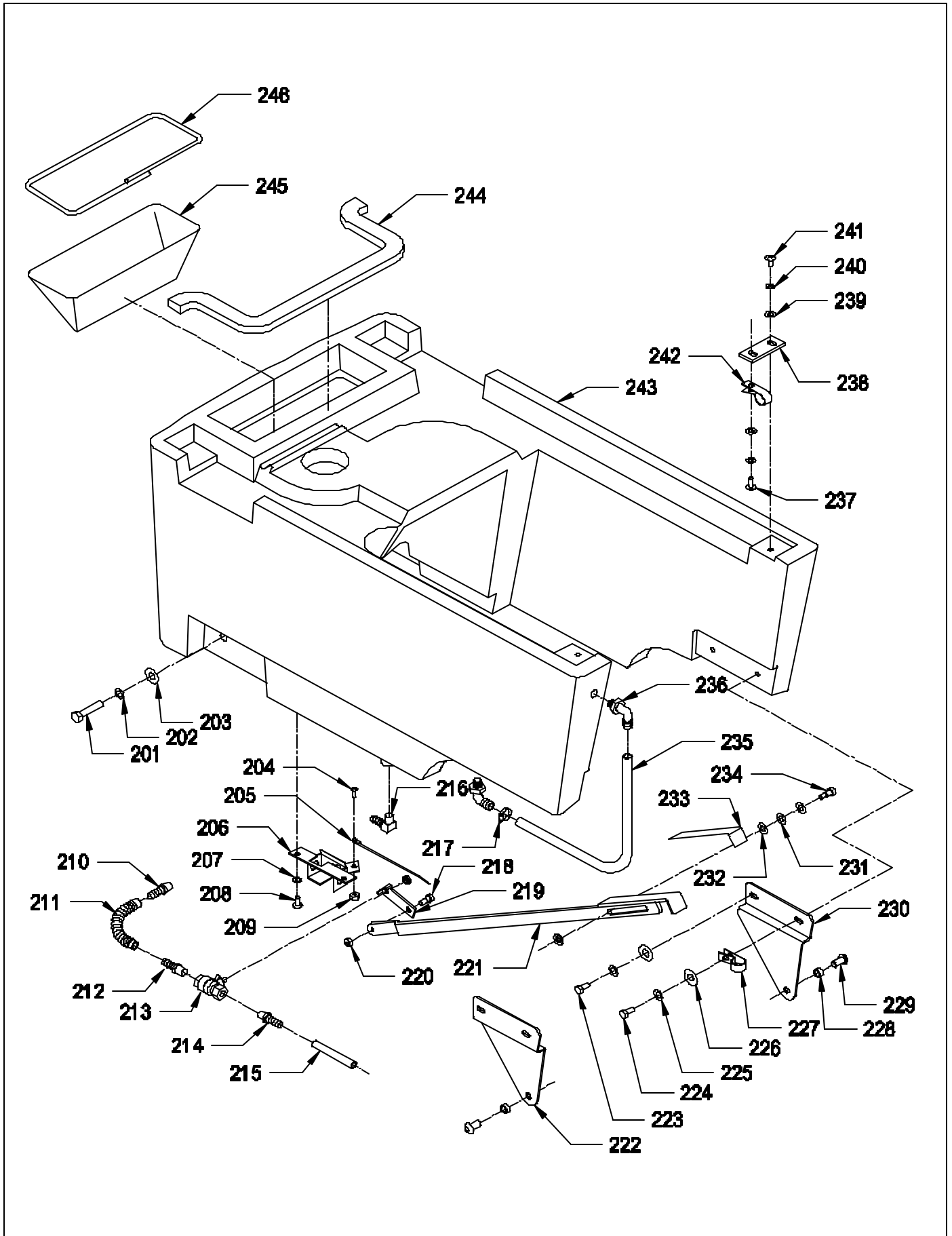
CONTROL PANEL ASSEMBLY



SOLUTION TANK ASSEMBLY

ITEM	PART NO.	DESCRIPTION	QTY.
201	9122340	3/8-16 X 2 HEX BOLT	2
202	9122100	3/8 SPLIT LOCK WASHER	2
203	9122180	13/32 I.D. X 13/16 O.D. X .051/.080 THICK SAE FLAT WASHER (3/8)	2
204	9120420	10-24 X 5/8 ROUND HEAD PHILLIPS MACHINE SCREW	1
205	9123015	3/16 X 7 1/2 #10 MOUNTING HOLE WIRE TIE	1
206	1392941	VALVE BRACKET	1
207	9120880	1/4 SPLIT LOCK WASHER	2
208	9121000	1/4-20 X 5/8 TRUSS HEAD PHILLIPS MACHINE SCREW	2
209	9120350	10-24 HEX NUT WITH NY-LOK INSERT	1
210	2495161	1/2 HOSE BARB X 1/4 MPT	1
211	2692551	6.5" CONVOLUTED TUBING	1
212	2495161	1/2 HOSE BARB X 1/4 MPT	1
213	1391531	SOLUTION VALVE	1
214	2495161	1/2 HOSE BARB X 1/4 MPT	1
215	1393407	1/2 I.D. X 4" LONG VINYL HOSE	1
216	2495151	FITTING ELL 1/2 HOSE BARB X 1/4 MNPT	1
217	2392141	HOSE CLAMP 11/16" TO 1 1/4" DIAMETER	1
218	9121505	5/16 X 1/8 SOCKET HEAD SHOULDER BOLT	1
219	1391551	SOLUTION VALVE LEVER	1
220	9120920	1/4-20 HEX NUT	2
221	1390613	VALVE CONTROL BAR	1
222	1392653	LEFT TANK PIVOT BRACKET	1
223	9121000	1/4-20 X 5/8 TRUSS HEAD PHILLIPS MACHINE SCREW	1
224	9121210	1/4-20 X 5/8 HEX BOLT	3
225	9120880	1/4 SPLIT LOCK WASHER	4
226	9120930	9/32 I.D. X 5/8 O.D. X .051/.080 THICK SAE FLAT WASHER (1/4)	4
227	4890851	CABLE CLAMP	1
228	4894371	BUSHING - BRUSH	2
229	9122030	3/8-16 X 3/4 BUTTON HEAD SOCKET SCREW	2
230	1392663	RIGHT TANK PIVOT BRACKET	1
231	1392581	.327 I.D. X .612 O.D. X .013 THICK 1 WAVE SPRING WASHER (5/16)	1
232	9121390	11/32 I.D. X 11/16 O.D. X .051/.080 THICK SAE FLAT WASHER (5/16)	3
233	1393381	DECAL KIT - VALVE LABEL	1
234	9121550	5/16 X 3/8 SOCKET HEAD SHOULDER BOLT	1
235	1391957	3/4" DIAMETER X 12" LONG DRAIN HOSE - SOLUTION TANK	1
236	1391941	3/8 MPT X 3/4 HOSE BARB X 90 FELL FITTING	2
237	9121010	1/4-20 X 3/4 TRUSS HEAD PHILLIPS MACHINE SCREW	1
238	1392671	TANK HOLD DOWN BRACKET	2
239	9120930	9/32 I.D. X 5/8 O.D. X .051/.080 THICK SAE FLAT WASHER (1/4)	4
240	9120880	1/4 SPLIT LOCK WASHER	4
241	9121000	1/4-20 X 5/8 TRUSS HEAD PHILLIPS MACHINE SCREW	3
242	4890851	CABLE CLAMP	1
243	1390011	SOLUTION TANK	1
244	1393227	1/2 X 1 X 21 GASKET - TANKS	1
245	4891311	FILTER SCREEN BAG	1
	1394329	FILTER SCREEN BAG AND FRAME ASSEMBLY (INCL. 245 & 246)	1
246	1390406	FILTER FRAME	1

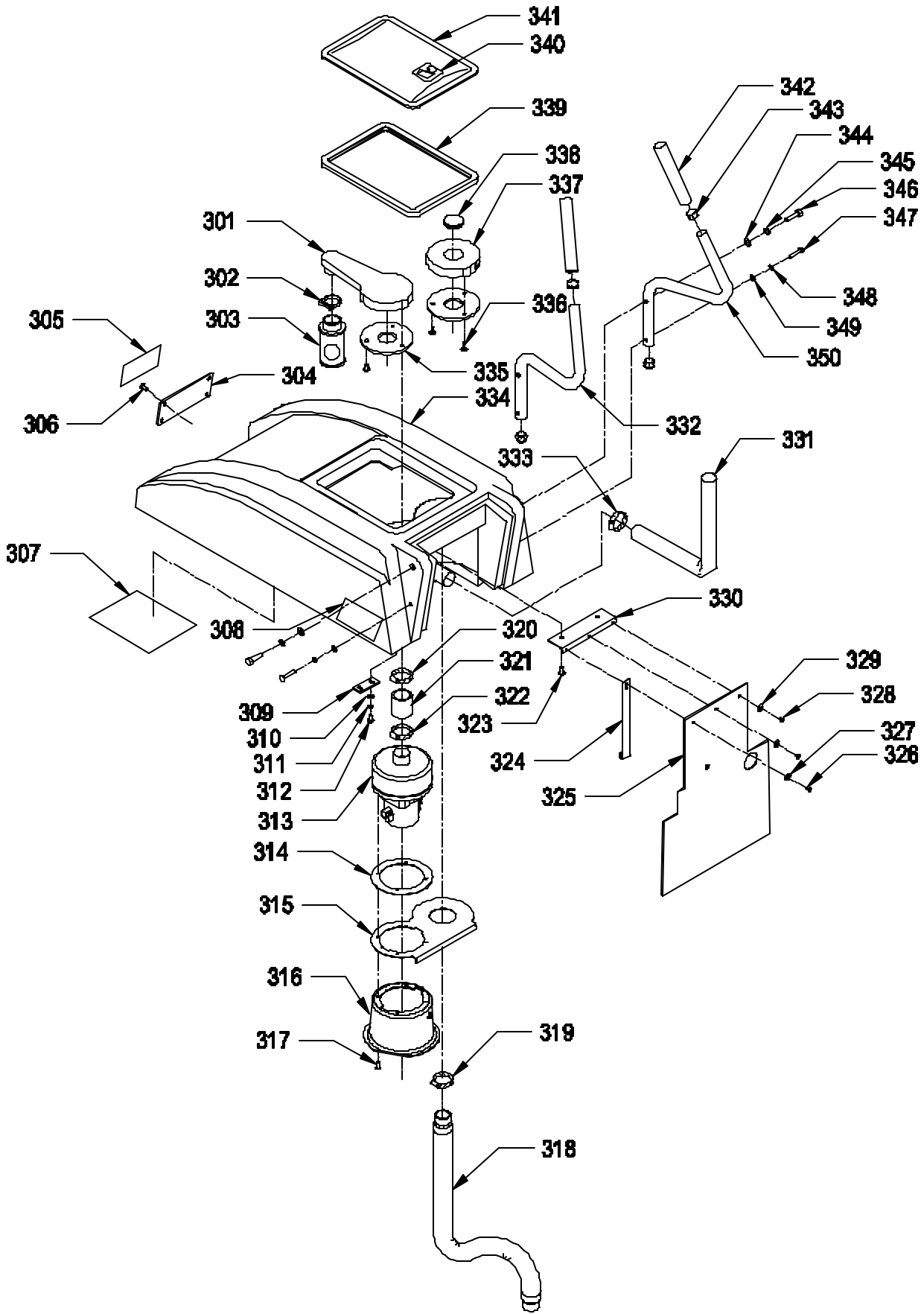
SOLUTION TANK ASSEMBLY



RECOVERY TANK ASSEMBLY

ITEM	PART NO.	DESCRIPTION	QTY.
301	1390061	FLOAT CONNECTOR	1
302	4894081	HOSE CLAMP 1.593 TO 1.812" DIAMETER	1
303	2391541	FLOAT SCREEN ASSEMBLY	1
304	1390493	FRONT MOUNTING PLATE	1
305	1393381	DECAL KIT - SOLUTION FILL ICON	1
306	9121000	1/4-20 X 5/8 TRUSS HEAD PHILLIPS MACHINE SCREW	4
307	1393381	DECAL KIT - WIRING DIAGRAM - BATTERY LABEL	1
308	1393381	DECAL KIT - SIDE LABEL 1708	2
	1393381	DECAL KIT - SIDE LABEL 2008	2
309	1392671	TANK HOLD DOWN BRACKET	2
310	9120930	9/32 I.D. X 5/8 O.D. X .051/.080 THICK SAE FLAT WASHER (1/4)	2
311	9120880	1/4 SPLIT LOCK WASHER	2
312	9121000	1/4-20 X 5/8 TRUSS HEAD PHILLIPS MACHINE SCREW	1
313	1393201	VACUUM MOTOR 120 VOLTS AC	1
	1393211	VACUUM MOTOR 240 VOLTS AC	1
314	4690101	FLOAT GASKET - VACUUM MOTOR	1
315	1392513	BAFFLE PLATE - VACUUM MOTOR	1
316	1392531	COVER - VACUUM MOTOR	1
317	9120790	10 X 5/8 PAN HEAD PHILLIPS SHEET METAL SCREW	4
318	2690591	SQUEEGEE VACUUM HOSE WITH CUFFS	1
319	4892671	HOSE CLAMP - 1 1/16" TO 2" DIAMETER	1
320	4892671	HOSE CLAMP - 1 1/16" TO 2" DIAMETER	1
321	1392521	VACUUM MOTOR MOUNTING HOSE	1
322	4892671	HOSE CLAMP - 1 1/16" TO 2" DIAMETER	1
323	9121020	1/4-20 X 1 TRUSS HEAD PHILLIPS MACHINE SCREW	2
324	1393081	VACUUM MOTOR SUPPORT	1
325	1392931	REAR RUBBER NOISE DEFLECTOR	1
326	9120510	10-24 X 1/2 TRUSS HEAD PHILLIPS MACHINE SCREW	1
327	9120930	9/32 I.D. X 5/8 O.D. X .051/.080 THICK SAE FLAT WASHER (1/4)	1
328	9120500	10-24 X 3/8 TRUSS HEAD PHILLIPS MACHINE SCREW	2
329	9120930	9/32 I.D. X 5/8 O.D. X .051/.080 THICK SAE FLAT WASHER (1/4)	2
330	1392921	REAR RUBBER MOUNT BRACKET	1
331	1390801	DIRTY WATER DRAIN HOSE	1
332	1392561	LEFT HANDLE	1
333	4892671	HOSE CLAMP - 1 1/16" TO 2" DIAMETER	1
334	1390021	RECOVERY TANK	1
335	2391611	INLET TUBE GASKET	2
336	9121000	1/4-20 X 5/8 TRUSS HEAD PHILLIPS MACHINE SCREW	4
337	1390351	AIR INTAKE	1
338	1390381	CLEAN-OUT CAP	1
339	1390811	RECOVERY TANK COVER GASKET	1
340	1393381	DECAL KIT - REAR MANUAL LABEL	1
341	1390041	CLEAR COVER, RECOVERY TANK	1
342	1391961	HANDLE GRIP	2
343	0690761	PLUG BUTTON	4
344	9122180	13/32 I.D. X 13/16 O.D. X .051/.080 THICK SAE FLAT WASHER (3/8)	2
345	9122100	3/8 SPLIT LOCK WASHER	2
346	9122075	3/8-16 X 1 1/2 HEX BOLT	2
347	9121280	1/4-20 X 1 1/2 HEX BOLT	2
348	9120880	1/4 SPLIT LOCK WASHER	2
349	9120930	9/32 I.D. X 5/8 O.D. X .051/.080 THICK SAE FLAT WASHER (1/4)	2
350	1392571	RIGHT HANDLE	1

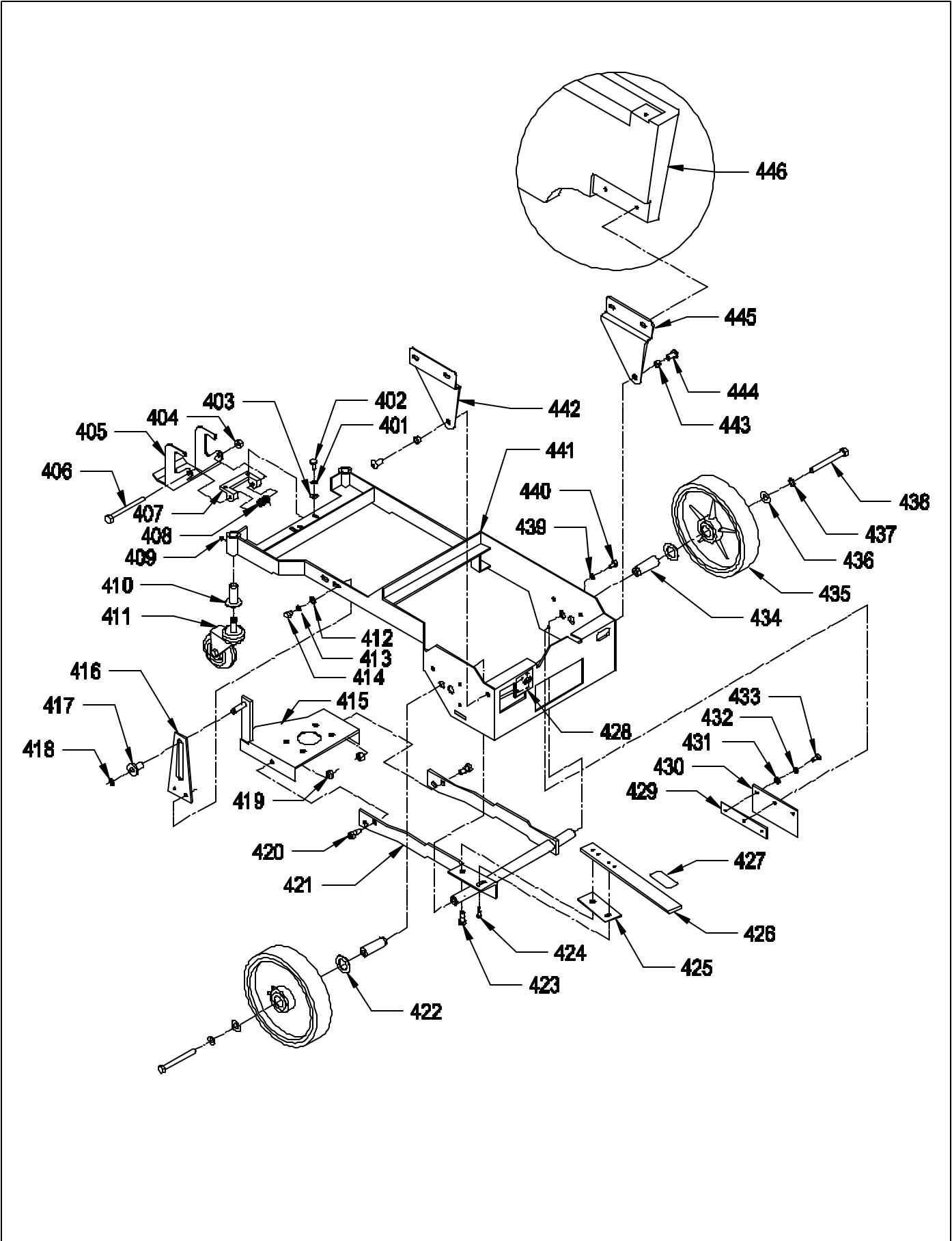
RECOVERY TANK ASSEMBLY



1708 FRAME ASSEMBLY

ITEM	PART NO.	DESCRIPTION	QTY.
401	9120880	1/4 SPLIT LOCK WASHER	2
402	9121210	1/4-20 X 5/8 HEX BOLT	2
403	9120930	9/32 I.D. X 5/8 O.D. X .051/.080 THICK SAE FLAT WASHER (1/4)	2
404	9120900	1/4-20 HEX NUT WITH NY-LOK INSERT	1
405	1392883	FOOT PEDAL	1
406	9121360	1/4-20 X 4 HEX BOLT	1
407	1392912	BRACKET - FOOT PEDAL - TANK RELEASE	1
408	1392901	SPRING - FOOT PEDAL - TANK RELEASE	1
409	9120850	1/4-20 X 5/16 SET SCREW - KNURL POINT	2
410	1392491	PLASTIC SOCKET INSERT - 7/16 I.D.	2
411	1392481	CASTER ONLY - 7/16 X 1 3/4 STEM	2
	1392489	CASTER WITH INSERT	2
412	9121390	11/32 I.D. X 11/16 O.D. X .051/.080 THICK SAE FLAT WASHER	2
413	9121520	5/16 SPLIT LOCK WASHER	2
414	9121560	5/16-18 X 1/2 HEX BOLT	2
415	1392621	BRUSH MOTOR TILT BASE	1
416	1392751	BRUSH MOTOR GUIDE BRACKET	1
417	1391151	BUSHING - 3/8 NYLON	1
418	1391261	3/8 RETAINING RING	1
419	9121430	5/16-18 THIN HEX NUT WITH NY-LOK INSERT	2
420	9122020	3/8 DIAMETER X 3/8 LONG SOCKET HEAD SHOULDER BOLT (5/16-18)	2
421	1392631	BRUSH LIFT ARM	1
422	9123105	3/4 I.D. X 1 1/4 O.D. X .071/.082 THICK FLAT WASHER (14 GAGE)	2
423	9122020	3/8 DIAMETER X 3/8 LONG SOCKET HEAD SHOULDER BOLT (5/16-18)	1
424	9121190	1/4 DIAMETER X 3/8 LONG SOCKET HEAD SHOULDER BOLT (10-24)	1
425	1391271	FOOT PEDAL SLIDE	1
426	1392643	BRUSH LIFT FOOT PEDAL	1
427	1390571	STEP TREAD	1
428	1393381	DECAL KIT - BRUSH LIFT LABEL	1
429	1392981	INSIDE SPLASH GUARD STRAP	1
430	1392991	INSIDE SPLASH GUARD	1
431	9120370	7/32 I.D. X 1/2 O.D. X .032/.065 THICK SAE FLAT WASHER (10)	1
432	9120320	10 SPLIT LOCK WASHER	1
433	9120420	10-24 X 5/8 ROUND HEAD PHILLIPS MACHINE SCREW	1
434	1392591	AXLE	2
435	4490511	WHEEL - 8"	2
436	9121980	7/16 I.D. X 1 O.D. X .075/.080 THICK WROUGHT WASHER (3/8)	2
437	9122100	3/8 SPLIT LOCK WASHER	2
438	9122090	3/8-16 X 3 1/2 HEX BOLT	2
439	9120320	10 SPLIT LOCK WASHER	2
440	9120420	10-24 X 5/8 ROUND HEAD PHILLIPS MACHINE SCREW	2
441	1392603	MAIN FRAME	1
442	1392653	LEFT TANK PIVOT BRACKET	1
443	4894371	BUSHING	2
444	9122030	3/8-16 X 3/4 BUTTON HEAD SOCKET SCREW	2
445	1392663	RIGHT TANK PIVOT BRACKET	1
446	1390011	SOLUTION TANK	1

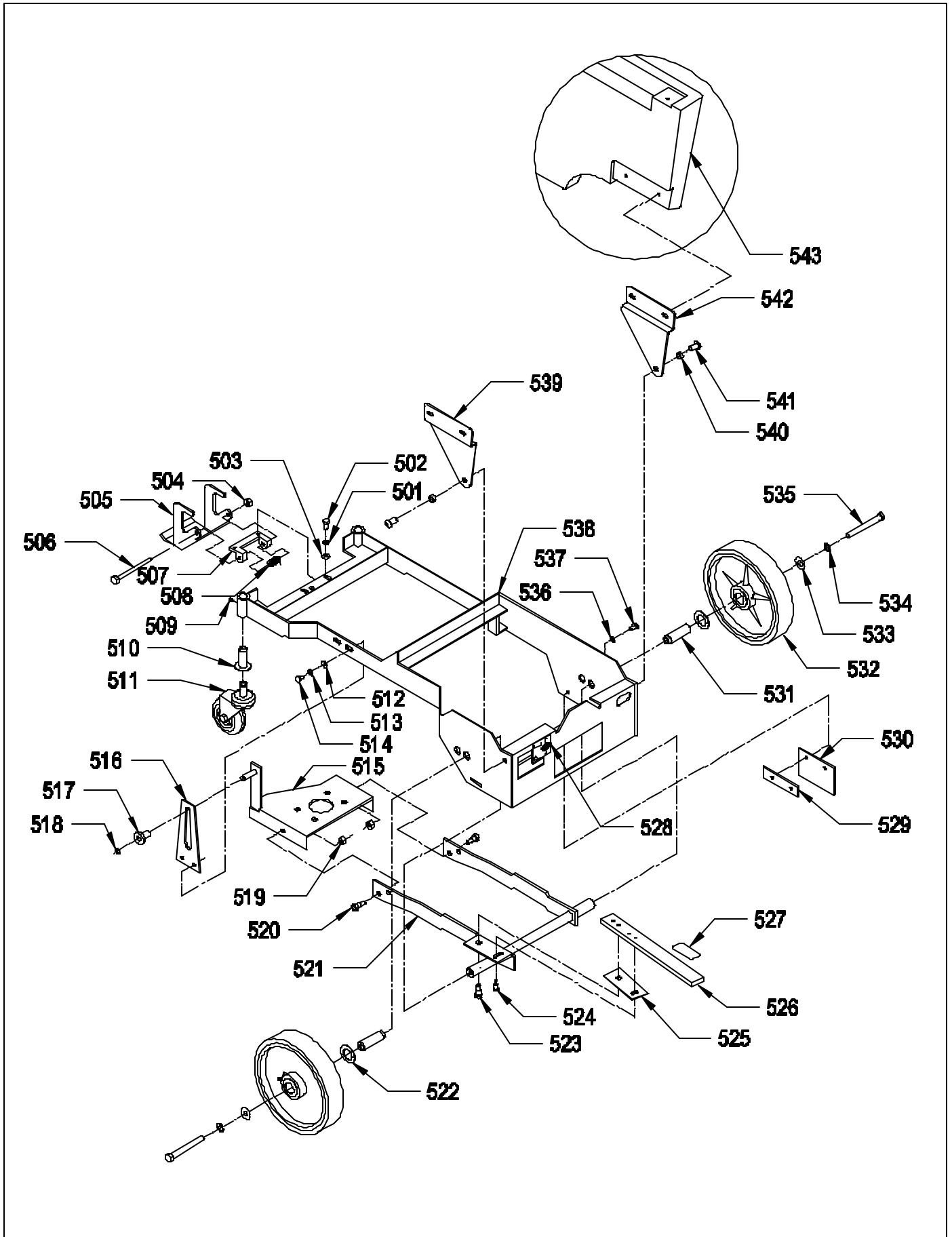
1708 FRAME ASSEMBLY



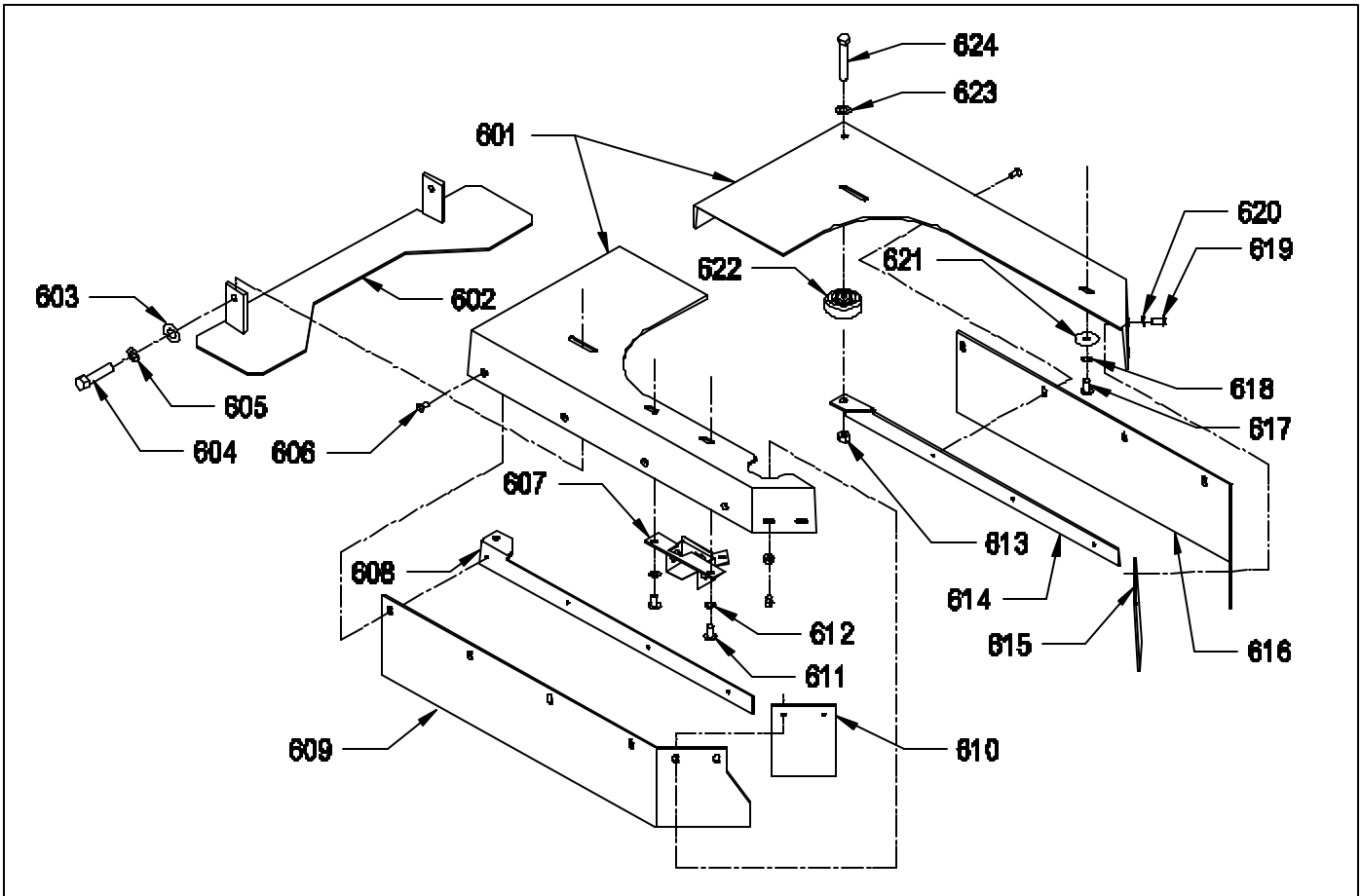
2008 FRAME ASSEMBLY

ITEM	PART NO.	DESCRIPTION	QTY.
501	9120880	1/4 SPLIT LOCK WASHER	2
502	9121210	1/4-20 X 5/8 HEX BOLT	2
503	9120930	9/32 I.D. X 5/8 O.D. X .051/.080 THICK SAE FLAT WASHER (1/4)	2
504	9120900	1/4-20 HEX NUT WITH NY-LOK INSERT	1
505	1392883	FOOT PEDAL	1
506	9121360	1/4-20 X 4 HEX BOLT	1
507	1392912	BRACKET - FOOT PEDAL - TANK RELEASE	1
508	1392901	SPRING - FOOT PEDAL - TANK RELEASE	1
509	9120850	1/4-20 X 5/16 SET SCREW - KNURL POINT	2
510	1392491	PLASTIC SOCKET INSERT - 7/16 I.D.	2
511	1392481	CASTER ONLY - 7/16 X 1 3/4 STEM	2
	1392489	CASTER WITH INSERT	2
512	9121390	11/32 I.D. X 11/16 O.D. X .051/.080 THICK SAE FLAT WASHER (5/16)	2
513	9121520	5/16 SPLIT LOCK WASHER	2
514	9121560	5/16-18 X 1/2 HEX BOLT	2
515	1392621	BRUSH MOTOR TILT BASE	1
516	1392751	BRUSH MOTOR GUIDE BRACKET	1
517	1391151	BUSHING, 3/8 NYLON	1
518	1391261	3/8 RETAINING RING	1
519	9121430	5/16-18 THIN HEX NUT WITH NY-LOK INSERT	2
520	9122020	3/8 DIAMETER X 3/8 LONG SOCKET HEAD SHOULDER BOLT (5/16-18)	2
521	1392631	BRUSH LIFT ARM	1
522	9123105	3/4 I.D. X 1 1/4 O.D. X .071/.082 THICK FLAT WASHER	2
523	9122020	3/8 DIAMETER X 3/8 LONG SOCKET HEAD SHOULDER BOLT (5/16-18)	1
524	9121190	1/4 DIAMETER X 3/8 LONG SOCKET HEAD SHOULDER BOLT (5/16-18)	1
525	1391271	FOOT PEDAL SLIDE	1
526	1392643	BRUSH LIFT FOOT PEDAL	1
527	1390571	STEP TREAD	1
528	1393381	DECAL KIT - BRUSH LIFT	1
529	1392961	INSIDE SPLASH GUARD STRAP	1
530	1392971	INSIDE SPLASH GUARD	1
531	1392591	AXLE	2
532	4490511	WHEEL - 8"	2
533	9121980	7/16 I.D. X 1 O.D. X .075/.080 THICK WROUGHT WASHER (3/8)	2
534	9122100	3/8 SPLIT LOCK WASHER	2
535	9122090	3/8-16 X 3 1/2 HEX BOLT	2
536	9120320	10 SPLIT LOCK WASHER	2
537	9120420	10-24 X 5/8 ROUND HEAD PHILLIPS MACHINE SCREW	2
538	1392603	MAIN FRAME	1
539	1392653	LEFT TANK PIVOT BRACKET	1
540	4894371	BUSHING	2
541	9122030	3/8-16 X 3/4 BUTTON HEAD SOCKET SCREW	2
542	1392663	RIGHT TANK PIVOT BRACKET	1
543	1390011	SOLUTION TANK	1

2008 FRAME ASSEMBLY

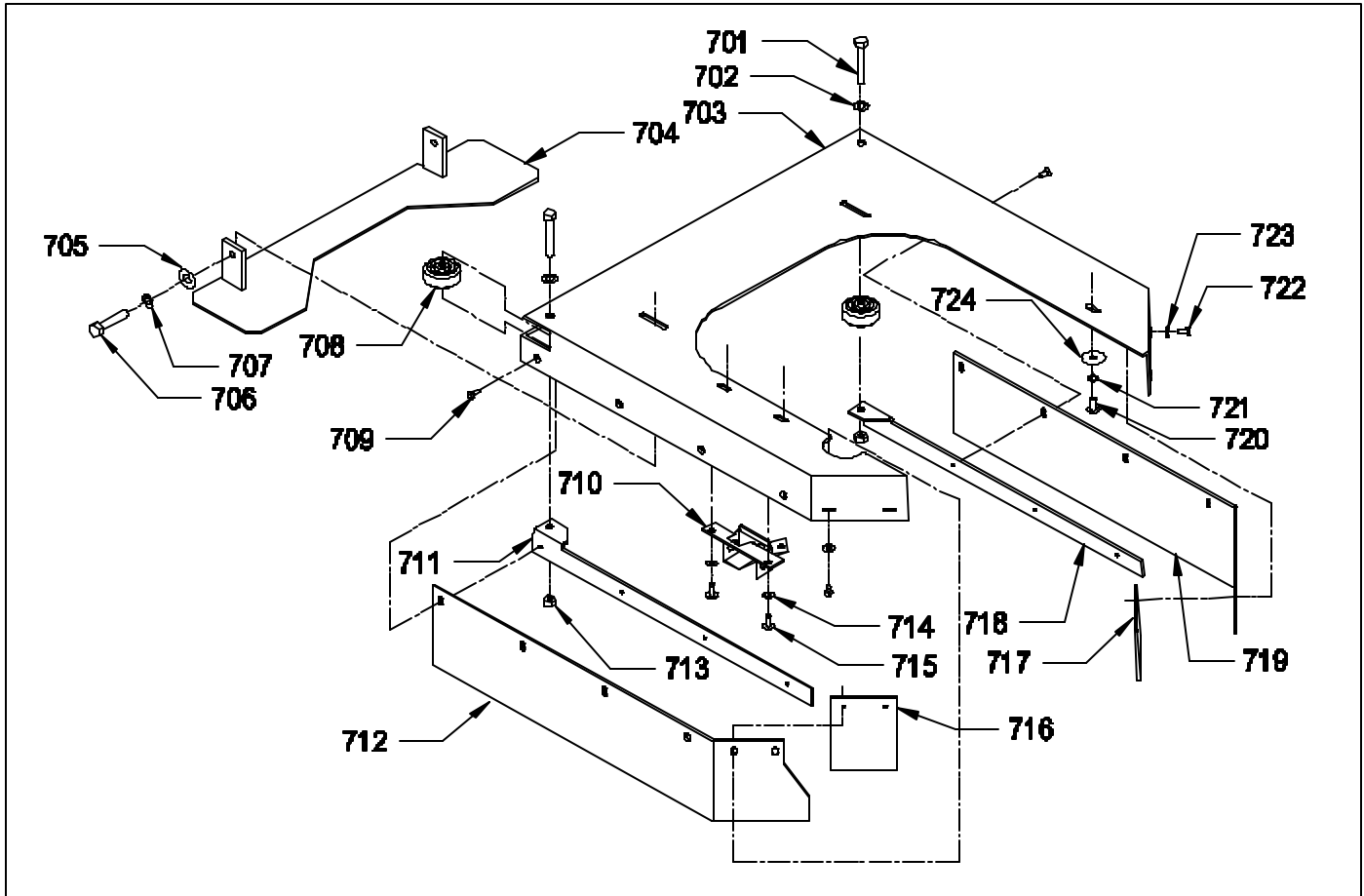


1708 SKIRT ASSEMBLY



ITEM	PART NO.	DESCRIPTION	QTY.
601	1392701	SKIRT	1
602	1392613	SKIRT MOUNTING BRACKET AND LATCH	1
603	9122180	13/32 I.D. X 13/16 O.D. X .051/.080 THICK SAE FLAT WASHER (3/8)	2
604	9122340	3/8-16 X 2 HEX BOLT	2
605	9122100	3/8 SPLIT LOCK WASHER	2
606	9120540	10-24 X 1/2 FLAT HEAD PHILLIPS MACHINE SCREW	8
607	1392941	VALVE BRACKET	1
608	1392721	LEFT SKIRT STRAP	1
609	1392711	LEFT SPLASH GUARD	1
610	1392811	LEFT REAR SKIRT STRAP	1
611	9121000	1/4-20 X 5/8 TRUSS HEAD PHILLIPS MACHINE SCREW	2
612	9120880	1/4 SPLIT LOCK WASHER	2
613	9121450	5/16-18 HEX NUT WITH NY-LOK INSERT	1
614	1392741	RIGHT SKIRT STRAP	1
615	1392821	RIGHT REAR SKIRT STRAP	1
616	1392731	RIGHT SPLASH GUARD	1
617	9121000	1/4-20 X 5/8 TRUSS HEAD PHILLIPS MACHINE SCREW	2
618	9120880	1/4 SPLIT LOCK WASHER	2
619	9120410	10-24 X 1/2 ROUND HEAD PHILLIPS MACHINE SCREW	4
620	9120370	7/32 I.D. X 1/2 O.D. X .032/.065 THICK SAE FLAT WASHER (10)	4
621	9120950	1/4 X 1 1/4 FENDER WASHER	1
622	3096741	BUMPER WHEEL - SMALL GRAY	1
623	9121390	11/32 I.D. X 11/16 O.D. X .051/.080 THICK SAE FLAT WASHER (5/16)	1
624	9121640	5/16-18 X 3/4 HEX BOLT	1

2008 SKIRT ASSEMBLY

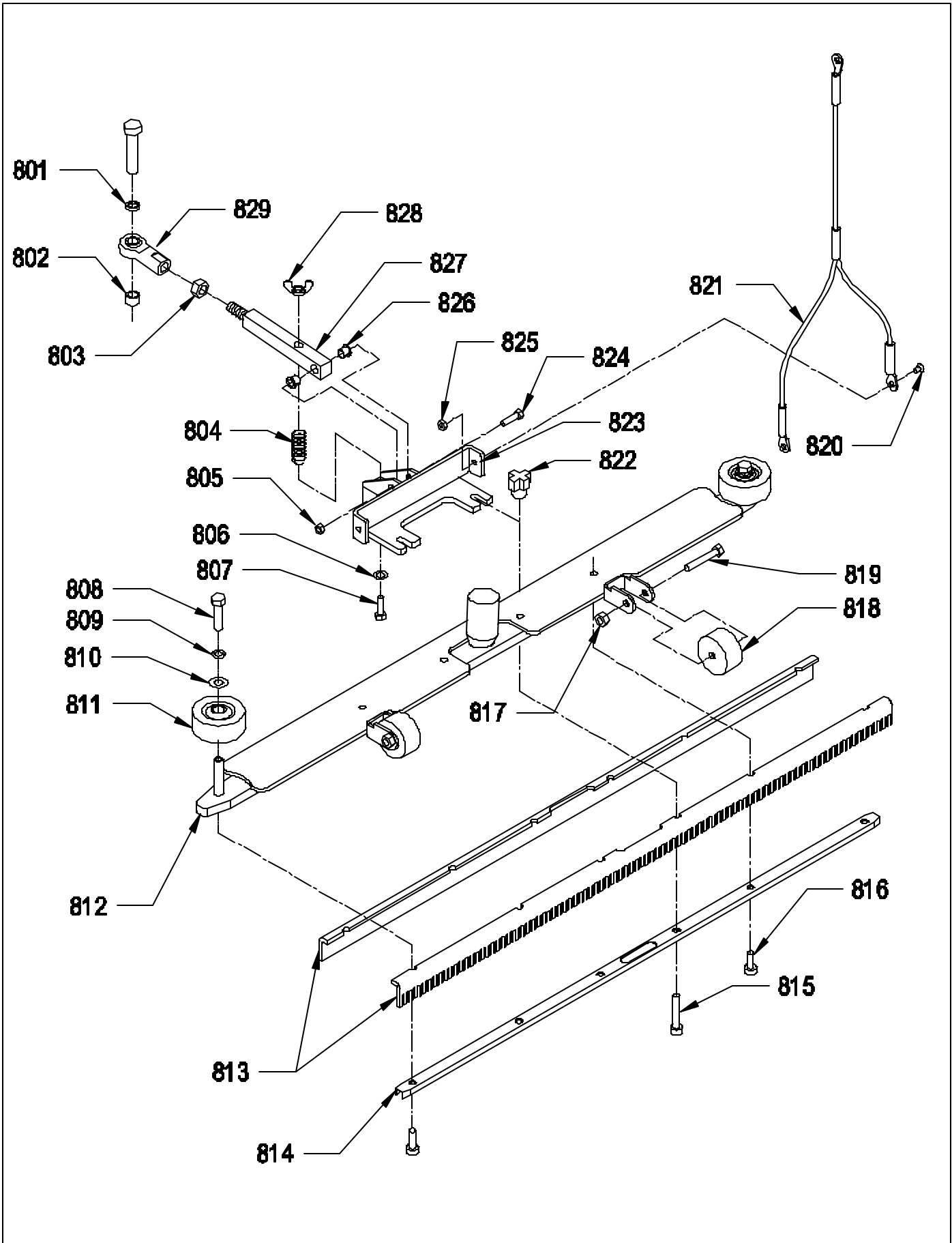


ITEM	PART NO.	DESCRIPTION	QTY.
701	9121640	5/16-18 X 3/4 HEX BOLT	1
702	9121390	11/32 I.D. X 11/16 O.D. X .051/.080 THICK SAE FLAT WASHER (5/16)	1
703	1392761	SKIRT	1
704	1392613	SKIRT MOUNTING BRACKET AND LATCH	1
705	9122180	13/32 I.D. X 13/16 O.D. X .051/.080 THICK SAE FLAT WASHER (3/8)	2
706	9122340	3/8-16 X 2 HEX BOLT	2
707	9122100	3/8 SPLIT LOCK WASHER	2
708	3096741	BUMPER WHEEL - SMALL GRAY	2
709	9120540	10-24 X 1/2 FLAT HEAD PHILLIPS MACHINE SCREW	8
710	1392941	VALVE BRACKET	1
711	1392721	LEFT SKIRT STRAP	1
712	1392771	LEFT SPLASH GUARD	1
713	9121450	5/16-18 HEX NUT WITH NY-LOK INSERT	1
714	9120880	1/4 SPLIT LOCK WASHER	2
715	9121000	1/4-20 X 5/8 TRUSS HEAD PHILLIPS MACHINE SCREW	2
716	1392791	LEFT REAR SKIRT STRAP	1
717	1392801	RIGHT REAR SKIRT STRAP	1
718	1392741	RIGHT SKIRT STRAP	1
719	1392781	RIGHT SPLASH GUARD	1
720	9121000	1/4-20 X 5/8 TRUSS HEAD PHILLIPS MACHINE SCREW	2
721	9120880	1/4 SPLIT LOCK WASHER	2
722	9120410	10-24 X 1/2 ROUND HEAD PHILLIPS MACHINE SCREW	4
723	9120370	7/32 I.D. X 1/2 O.D. X .032/.065 THICK SAE FLAT WASHER (10)	4
724	9120950	1/4 X 1 1/4 FENDER WASHER	1

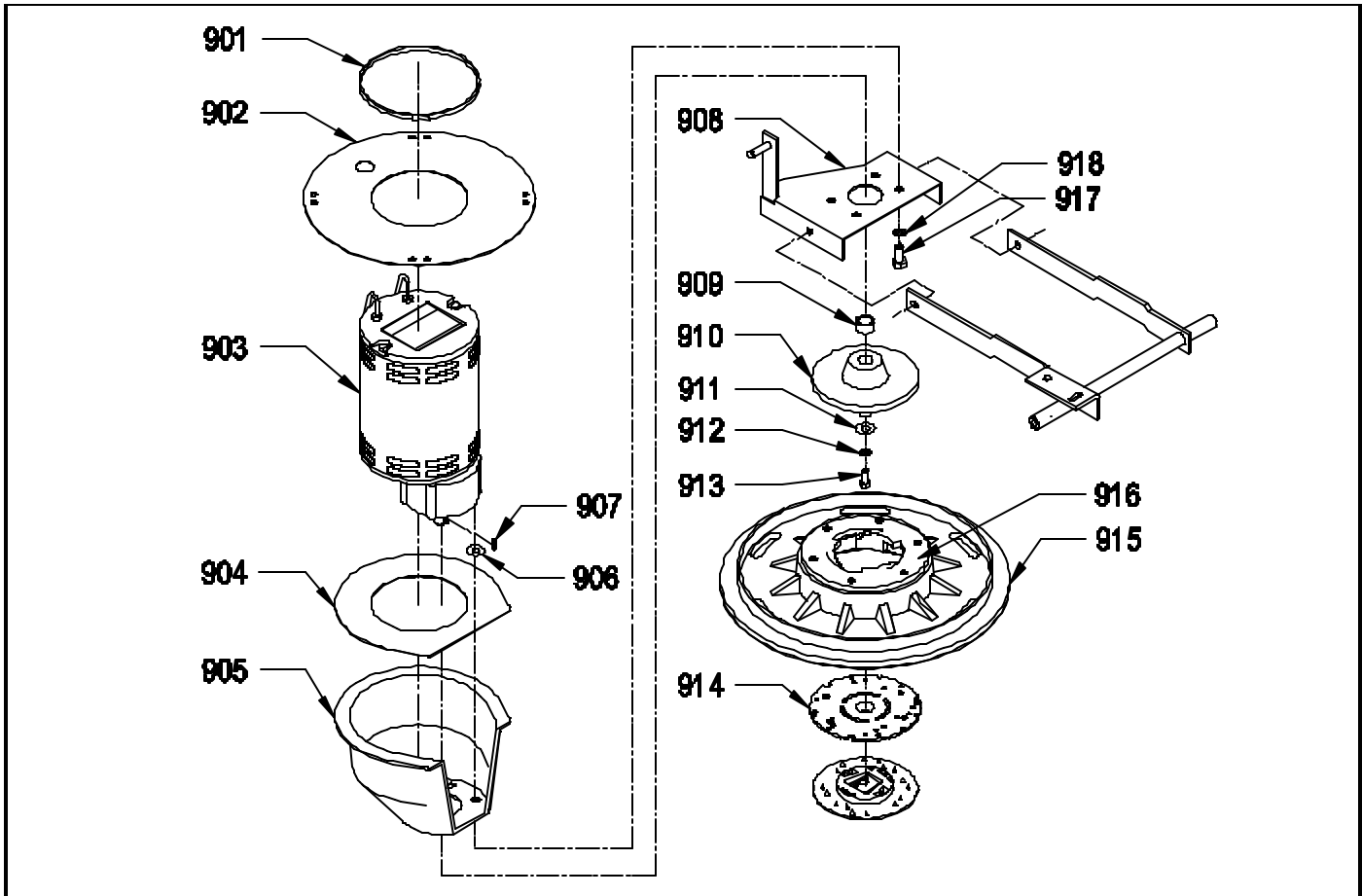
SQUEEGEE ASSEMBLY

ITEM	PART NO.	DESCRIPTION	QTY.
801	1090981	SWITCH GUARD SPACER	1
802	2391461	BUSHING - LIFT LEVER	1
803	9122670	1/2-20 HEX JAM NUT	1
804	3695581	HEIGHT ADJUSTING SPRING	1
805	9122140	3/8-16 HEX NUT WITH NY-LOK INSERT	1
806	9121520	5/16 SPLIT LOCK WASHER	1
807	9122130	5/16-18 X 2 1/4 HEX BOLT	1
808	9121560	5/16-18 X 1/2 HEX BOLT	2
809	9121410	5/16 EXTERNAL STAR LOCK WASHER	2
810	9121390	11/32 I.D. X 11/16 O.D. X .051/.080 THICK SAE FLAT WASHER (5/16)	2
811	2790281	3" BUMPER WHEEL	2
812	2692523	NARROW MOUNT SQUEEGEE HOUSING	1
	2692539	NARROW MOUNT SQUEEGEE ASSEMBLY (INCL. ITEMS 911-914, 918,922)	1
813	2791061	32" REPLACEMENT SQUEEGEE BLADES, SET OF 2	1
814	2692533	INNER CHANNEL, SQUEEGEE - NARROW MOUNT	1
815	9121920	5/16-18 X 1 1/2 SOCKET HEAD CAP SCREW	2
916	9121880	5/16-18 X 3/4 SOCKET HEAD CAP SCREW	4
817	9121450	5/16-18 HEX NUT WITH NY-LOK INSERT	2
818	3096741	WHEEL, BUMPER - SMALL GRAY	2
819	9121760	5/16-18 X 1 3/4 HEX BOLT	2
820	9121010	1/4-20 X 3/4 TRUSS HEAD PHILLIPS MACHINE SCREW	2
821	2495301	"Y" SQUEEGEE LIFT CABLE	1
822	2791002	SQUEEGEE KNOB	2
823	1390171	SQUEEGEE BRACKET	1
824	9122340	3/8-16 X 2 HEX BOLT	1
825	9120900	1/4-20 HEX NUT WITH NY-LOK INSERT	2
826	1391171	3/8 FLANGE NYLINER	2
827	1390156	SQUEEGEE SHAFT	1
828	9121445	5/16-18 WING NUT WITH NY-LOK INSERT	1
829	2391941	BALL JOINT	1
830	9122540	1/2-13 X 1 1/4 HEX BOLT	1

SQUEEGEE ASSEMBLY

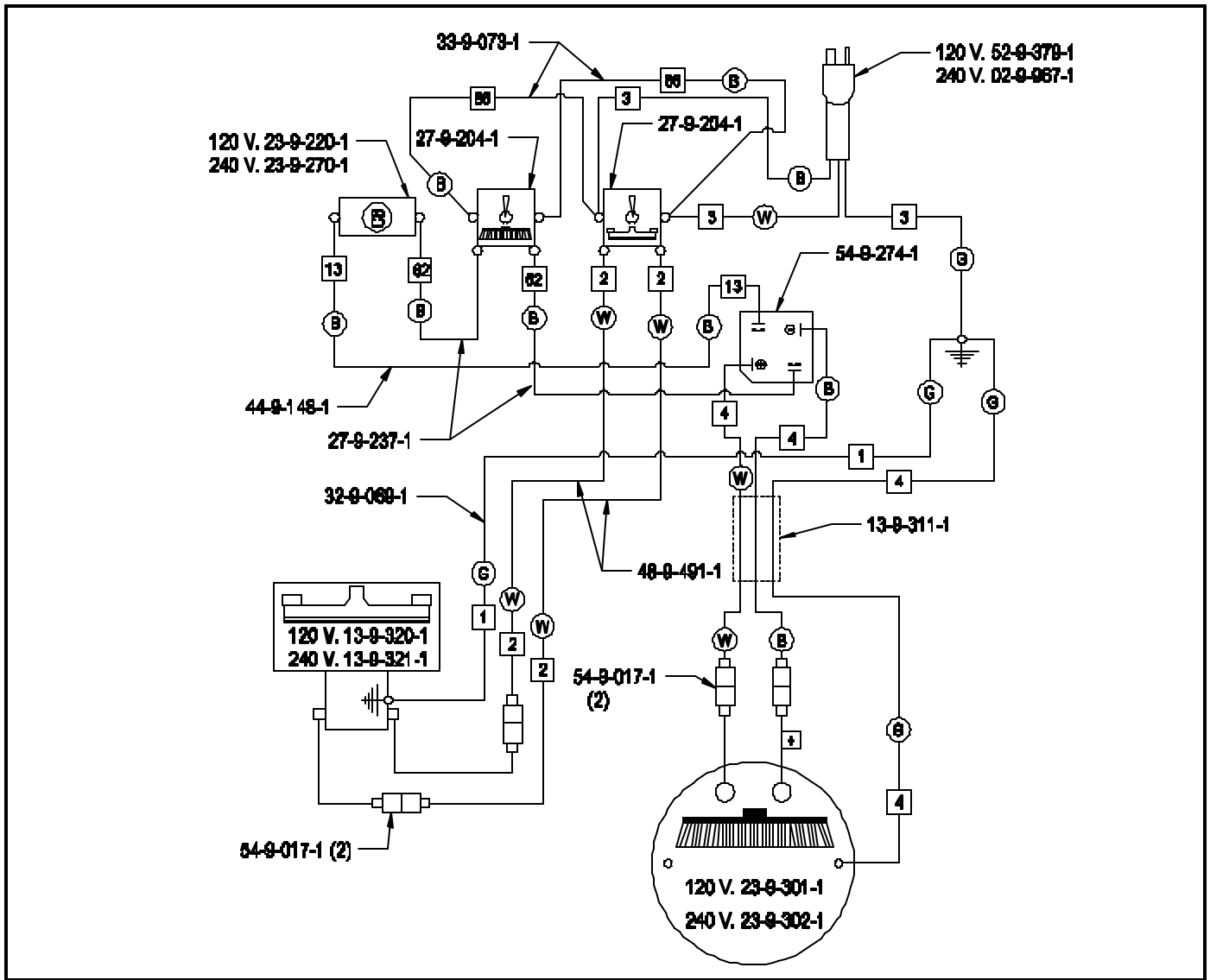


BRUSH MOTOR ASSEMBLY



ITEM	PART NO.	DESCRIPTION	QTY.
901	1392871	TIE WRAP	2
902	1392851	BRUSH MOTOR UPPER DRIP CAP	1
903	2393011	GEAR MOTOR 3/4 HP 120 VOLT AC	1
	2393191	CARBON BRUSH - 120 VOLT AC	4
	2393021	GEAR MOTOR 3/4 HP 240 VOLT AC	1
	2393241	CARBON BRUSH - 240 VOLT AC	4
904	1392861	BRUSH MOTOR LOWER DRIP CAP	1
905	1392541	BRUSH MOTOR SPLASH GUARD	1
906	9122180	13/32 I.D. X 13/16 O.D. X .051/.080 THICK SAE FLAT WASHER (3/8)	2
907	2792681	1/4 X 1/4 X 1 MOTOR KEY	1
908	1392621	BRUSH MOTOR TILT BASE	1
909	2393061	SPACER	1
910	2393052	CLUTCH CASTING	1
911	9121400	3/8 I.D. X 7/8 O.D. X .064/.104 THICK WROUGHT WASHER (5/16)	1
912	9121520	5/16 SPLIT LOCK WASHER	1
913	9121680	5/16-18 X 1 HEX BOLT	1
914	5990721	SPRING CLIP PAD HOLDER SET (WHITE)	1
915	2897601	17" STRUCTURAL FOAM PAD DRIVER	1
	2892601	20" STRUCTURAL FOAM PAD DRIVER	1
	2897211	17" POLY BACK TUFTED PAD DRIVER WITH PAD HOLDER	1
	—	SEE ACCESSORY PAGE FOR TYPES OF BRUSHES	1
916	2890951	CLUTCH PLATE - PLASTIC 5" DIAMETER 6 HOLES - WHITE	1
917	9122220	3/8-16 X 3/4 HEX BOLT	4
918	9122100	3/8 SPLIT LOCK WASHER	4

WIRING DIAGRAM



ITEM	PART NO	DESCRIPTION	QTY.
1	3290691	GREEN WIRE GROUND TO MOTOR	1
2	4894911	14 GAGE X 6" WHITE WIRE	2
3	5293791	CORD - 75 FEET, 14-3 ST (120 VOLT)	1
	0299671	SHUKO CORD - 75 FEET, 16-3 (240 VOLT)	1
4	1393111	CABLE ASSEMBLY - BRUSH MOTOR	1
13	4491481	MAIN SWITCH TO SAFETY SWITCH	1
62	2792371	WIRE #14 X 6" #62	2
86	3390731	WIRE #18 X 10" #86	2
—	1393201	VACUUM MOTOR 120 VOLT AC	1
—	1393211	VACUUM MOTOR 240 VOLT AC	1
—	2392201	CIRCUIT BREAKER - 115 VOLT	1
—	2392701	CIRCUIT BREAKER - 240 VOLT / 5 AMP	1
—	2393011	GEAR MOTOR 3/4 HP 120 VOLT AC	1
—	2393021	GEAR MOTOR 3/4 HP 240 VOLT AC	1
—	2792041	SWITCH - TOGGLE VAC	2
—	9123005	WIRE TIE - 5 1/2" LONG	1
—	5492741	RECTIFIER 60 AMP	1
—	5490171	FULLY INSULATED MALE TERMINAL 14-16 GAGE	4

ACCESSORIES



- 2392129 WET PICKUP KIT, INCLUDES:
2291211 5" CONNECTOR, ALUMINUM
2391231 VACUUM HOSE, 7 FOOT
5797011 TOOL - SQUEEGEE WITH WHEELS, 15"
5790331 STEEL WAND, 2 PIECE
2391241 HOSE STRAP
9997550 VELCRO HOOK
9997560 VELCRO LOOP



- 2392179 BRUSH / SQUEEGEE KIT, INCLUDES:
2291215 5" CONNECTOR, ALUMINUM
2290209 STEEL WAND, 1 PIECE
2391231 VACUUM HOSE, 7 FOOT
3097849 14" BRUSH / SQUEEGEE TOOL



- 2890951 CLUTCH PLATE, PLASTIC 5" DIAMETER 6 HOLES - CREAM



- 5990721 SPRING CLIP PAD HOLDER SET



- 2897211 17" POLY BACK TUFTED PAD DRIVER W/PAD HOLDER
2897601 17" STRUCTURAL FOAM PAD DRIVER
2892601 20" STRUCTURAL FOAM PAD DRIVER



- 2897201 17" POLY BACK NYLON FILL SCRUB BRUSH
2897711 17" POLY BACK NYLO GRIT SCRUB BRUSH
2897901 17" POLY BACK SCRUB GRIT BRUSH
2892031 20" PLASTIC BACK BASSINE SCRUB BRUSH
2892201 20" POLY BACK NYLON FILL SCRUB BRUSH
2892701 20" POLY BACK BRUSH, SHOWER FEED
2892711 20" POLY BACK NYLO GRIT SCRUB BRUSH
289290 20" SCRUB GRIT BRUSH

- 9091001 HARDWARE CATALOG
9091002 HOSES, TOOLS AND ACCESSORIES CATALOG
9091718 OPERATORS MANUAL

TROUBLE SHOOTING

PROBLEM	CAUSE	SOLUTION
No Solution Flow	The solution valve is closed. Obstruction in the solution hose. Solution valve or linkage damaged. Solution tank is empty.	Open the solution valve. Remove the obstruction. Repair/replace the valve linkage. Fill the tank.
Solution Flow Does Not Stop	The solution valve is open. Solution valve or linkage damage. Solution valve is dirty. Damaged seat and washer in valve. The valve stem is dirty.	Close the solution valve. Repair/replace the valve linkage. Clean the solution valve. Replace valve. Clean and lubricate valve stem.
Will Not Pick Up Any Water From Floor	Squeegee is up. Vac motor switch is "off". Recovery tank is full. Vacuum shut-off float is stuck squeegee hose or standpipe. Leaking cover gasket. Vac motor is not running.	Lower squeegee. Turn vac motor switch "on". Empty tank. Open float valve / remove obstruction. Remover old gasket / replace. Have an authorized serviceman repair.
Will Not Pick Up All Water From Floor	Squeegee blade is worn / damaged. Obstruction/damage in the squeegee, squeegee hose or standpipe. Squeegee pressure needs adjustment. Vacuum motor worn out.	Reverse/replace squeegee blade. Remove obstruction/repair damage. Adjust pressure. Repair/replace vac motor.
Cleaning Is Not Even	Brush/pads are worn. Damage to brush assembly, casters, or solution valve. Motor is not running.	Replace. Have authorized serviceman repair. Repair wiring, replace switch, replace carbon brushes. Reset circuit breaker button.
Machine Does Not Run	The machine loses power.	Reset circuit breaker.

NOTE: If problems remain after taking the above steps, contact your local authorized service station for further evaluation and repair.



NSS ® Enterprises, Inc.

3115 Frenchmens Road, Toledo, Ohio 43607
PHONE (419) 531-2121 FAX (419) 531-3761

NSS ® Enterprises, Inc. European Distribution Centre
Unit II, Pinfold Trading Estate * 55 Nottingham Road
STAPLEFORD, NOTTINGHAM NG9 8AD ENGLAND U.K.
PHONE: (44) 0115 939 1568 * FAX: (44) 0115 949 0615