

Whirlamatic™ 1500

MODELS 1500E
1500E-5
1500E-J

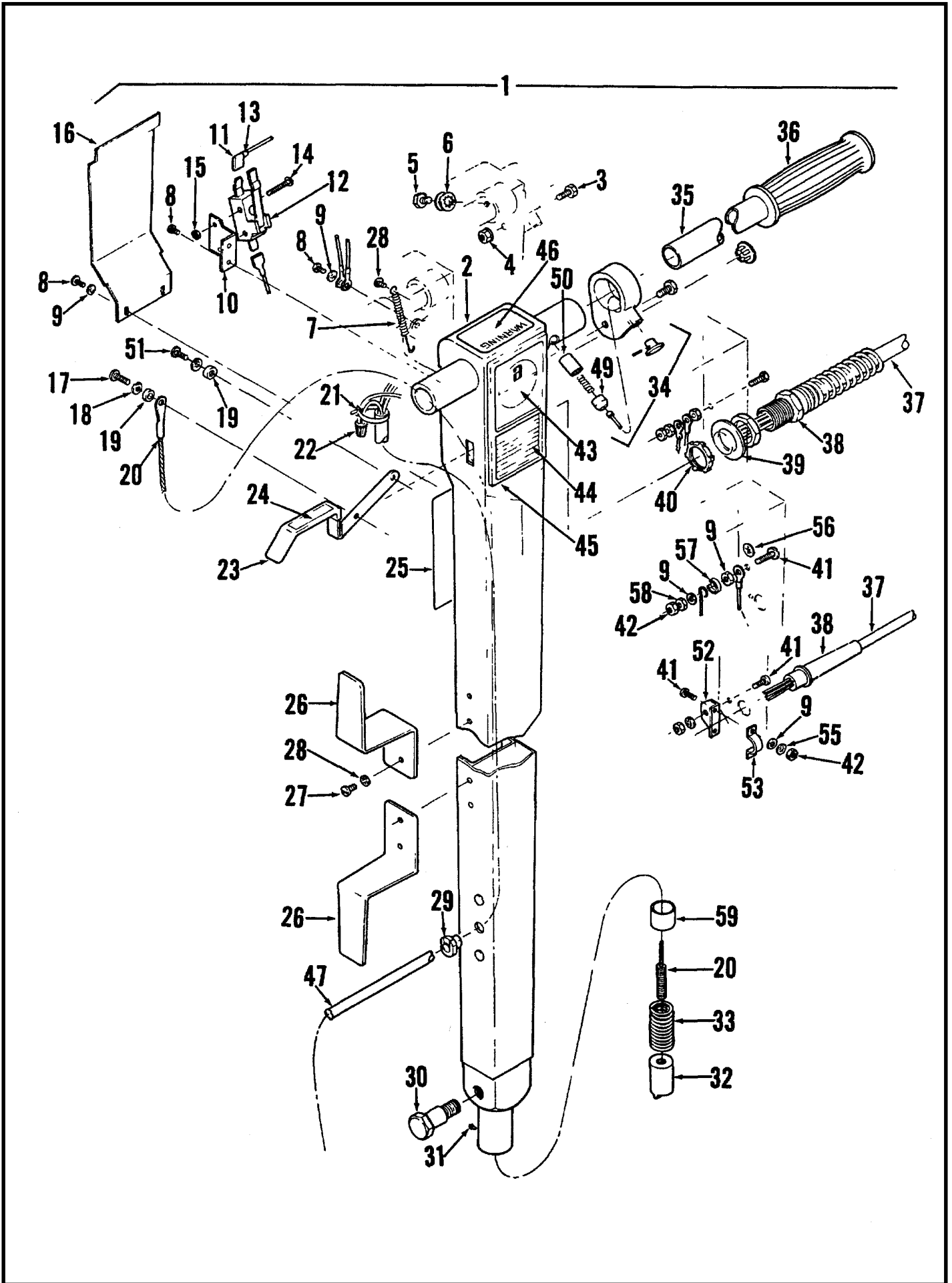
Serial Number 982584
2/84 revised 11/00 Form Number 56042098

PARTS LIST



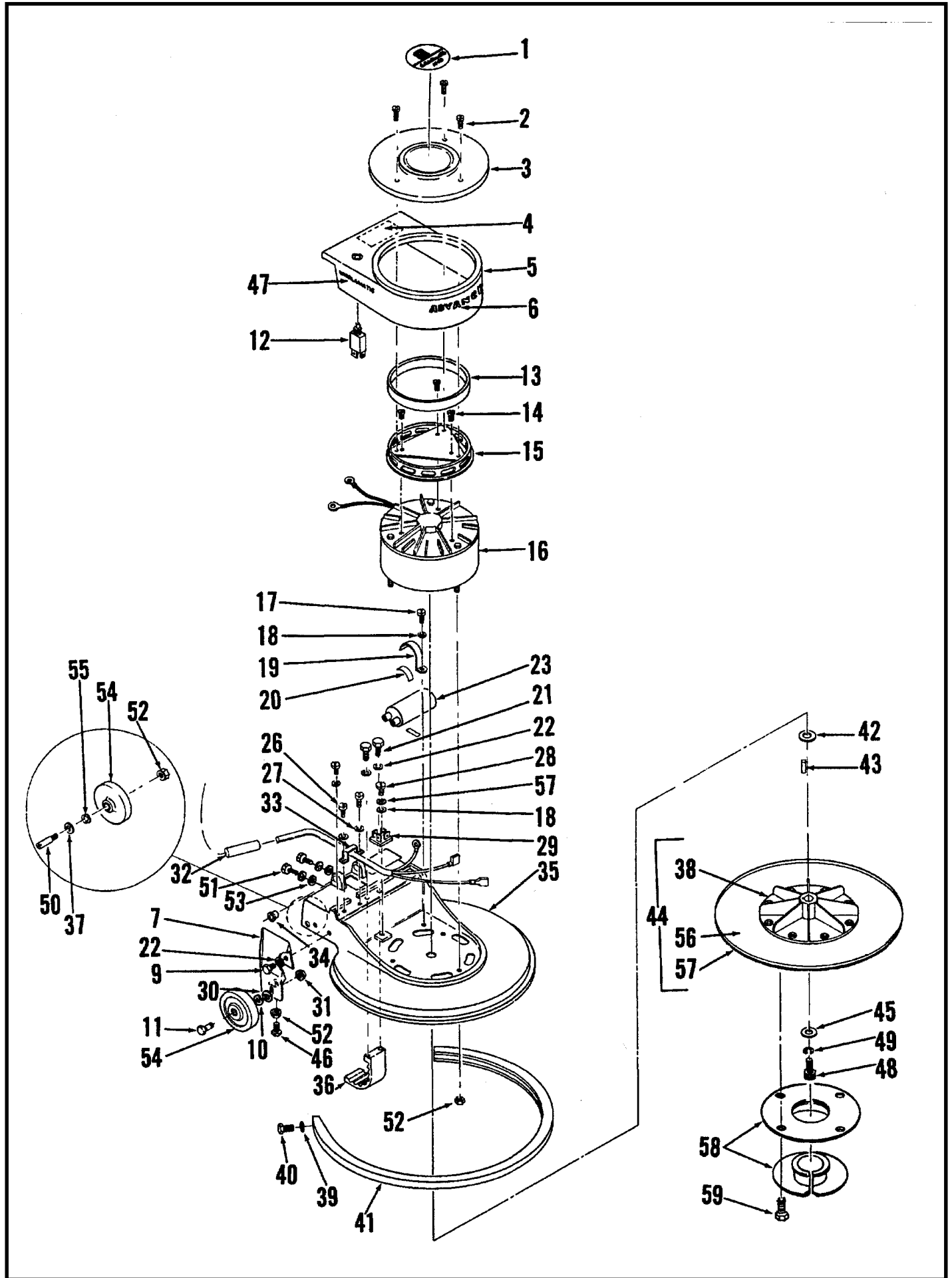
ADVANCE
MACHINE COMPANY®





HANDLE ASSEMBLY

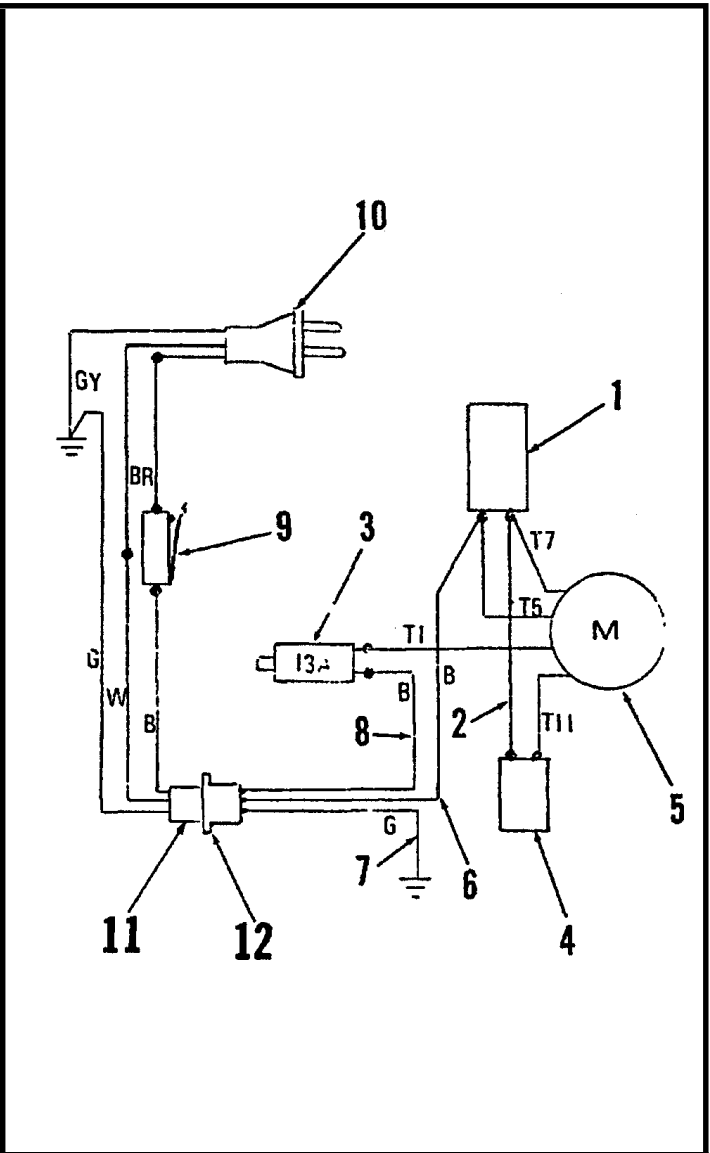
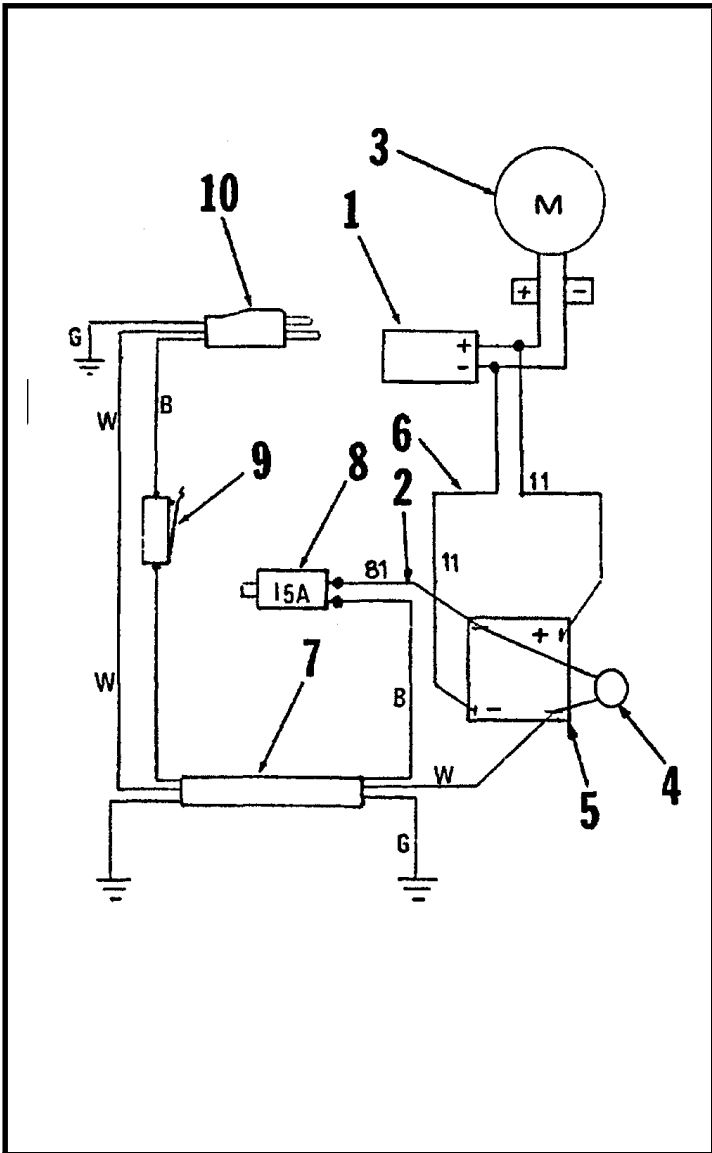
Item	Ref. No.	Qty	Description	Item	Ref. No.	Qty	Description
1	56182115	1	Handle Assembly, 100V	31		1	Scr, Drive 4 x .25
	56180100	1	Handle Assembly, 115V	32	56171132	1	Plunger
	56180110	1	Handle Assembly, 230V	33	56171123	1	Spring
2	56180102	1	Handle	34	56172215	1	Collar Assembly
3		1	Scr, Hex Hd 1/4-20 x .50	35	56172198	1	Tube, Handle
4		1	Nut, Hex Nyl Loc 1/4-20	36	56388545	2	Grip
5	56234079	1	Screw	37	56180116	1	Cord Set, 100V
6		2	Wsh, SHPRF 5/16		56524069	1	Cord Set, 115V
7	56445177	1	Spring		56300227	1	Cord Set, 230V
8		5	Scr, Pan Phil Thd Form 8-32 x .25	38	56109630	1	Strain Relief, 115V
9		5	Wsh, SHPRF #8		56301396	1	Strain Relief, 230V
10	56171209	1	Bracket	39	56171093	1	Washer
11	56321338	1	Insulator	40	56171094	1	Nut
12	56388019	1	Switch, Snap	41		3	Scr, Pan Hd 8-32 x .62
13	56321311	1	Tab, Receptacle	42		6	Nut, Hex 8-32
14		2	Scr, Pan Hd 4-40 x .88	43	56014600	1	Decal, Advance
15		2	Nut, Hex 4-40	44	56014853	1	Decal, Insert
16	56172262	1	Cover	45	56014598	1	Decal, Plate
17		1	Scr, Pan Phil Thd Form 10-24 x .50	46	56014929	1	Decal, Warning
18	56150150	1	Wsh, Bowed	47	56180152	1	Cord Assembly, 115V
19	56151092	2	Spacer		56180274	1	Cord Assembly, 230V
20	56384909	1	Cable Assembly	48	56201448	1	Spring, Compression
21	56478246	1	Tie, Cable	49	56172266	1	Plunger
22	56321737	2	Wire Nut	50	56172201	1	Bushing
23	56171126	1	Lever	51		1	Scr, Pan Phil 10-24 x .38
24	56014850	1	Decal	52	56171434	1	Bracket, Cord 230V
25	56014828	1	Decal, Warning	53	56300542	1	Clamp, Cord 230V
26	56172213	2	Hook, Cord	54		1	Scr, Pan Hd 8-32 x .38
27		5	Scr, Pan Hd 8-32 x .25	55		2	Wsh, Flt #8
28		5	Scr, Pan Thd Form 8-32 x .88	56	56014119	1	Decal, Ground Symbol 230V
29	56382817	1	Strain Relief	57	56325274	1	Wsh, Cupped 230V
30	56171097	2	Bolt, Pivot	58	56325276	1	Washer, 230V
				59	56171269	1	Bushing



BASE AND HOUSING ASSEMBLY

Item	Ref. No.	Qty	Description	Item	Ref. No.	Qty	Description
1	56015094	1	Decal, 1500	26		2	#8-32 x 3/8 Round Head Screw
2	56372929	3	#10 x 1/2 Black Screw	27		2	#8 Washer, SAE
3	56180024	1	Shroud Cover	28		1	#10-32 x 5/8 Pan Head Screw
4	56015098	1	Decal, Wiring Diagram 115V	29	56180162	1	Rectifier 115V
	56014968	1	Decal, Wiring Diagram 230V	30		2	5/16 Flat Washer
5	56180022	1	Motor Shroud 115V	31		2	5/16-18 Flanged Whiz Nut
	56180260	1	Motor Shroud 230V	32	56300602	1	Rubber Tube
6	56014944	1	Decal, Advance	33	56249623	1	Strain Relief Clamp 115V
7	56182030	1	Right Fender	34	56171095	2	Flange Bearing
8	56182032	1	Left Fender*	35	56182018	1	Skirt
9		2	1/4-20 x 3/8 Hex Head Screw	36	56171104	1	Ratchet
10	56151041	2	3/8 Spring Washer	37		2	3/8 Flat Washer
11	56182044	2	Bolt Shoulder 3/8 x 2.31	38	56388261	1	Hub Casting
12	56180275	1	Circuit Breaker, 15A 115V	39	56180092	2	Black Washer
	56168786	1	Circuit Breaker, 13A 230V	40	56180087	2	#10-32 x 3/4 Black Screw
13	56180032	1	Filter	41	56180040	1	Bumper
14		3	#10-24 x 1-1/4 Flat Head Screw	42	56367192	1	Flat Washer
15	56180008	1	Bracket Weldment	43	56158135	1	Key
16	56180018	1	Motor, 230V/50HZ	44	56388525	1	Pad Holder Assembly
*	56182020	1	Motor, 115V/60HZ TSB 551	45	56180200	1	Washer
*	56180130	1	Brushes, Set of 2	46		2	1/4-20 x 7/8 Hex Head Screw
*	56180138	1	End Bell with Brushes	47	56015096	2	Decal, Whirlmatic
*	56180144	1	Bottom End Bell	48	56180196	1	5/16-24 x 1 Screw
*	56154091	1	Top Bearing	49		1	5/16 Lock Washer
*	56158178	1	Bottom Bearing	50	56180036	2	Axle
*	56180128	1	Armature Assembly	51		2	2 1/4-20 x 3/4 HP-5 Screw
*	56180146	1	Negator Springs	52		7	1/4-20 Flange Whiz Nut
*	56180126	1	Case Assembly	53		2	1/4 Washer, SAE
17		5	#10-32 x 3/8 Pan Head Screw	54	56228102	2	Wheel
18		5	#10 Washer, SAE	55	56163767	2	3/8 Spring Washer
19	56180030	1	Capacitor Clamp	56	56388524	1	Plate
20	56530730	5"	Tape (12" on 230V)	57	56388522	1	Bristle Pad
21		2	1/4-20 x 3/4 Pan Head HP-5 Screw	58	56182062	1	Pad Grab Assembly
22		6	1/4 Shakeproof Washer	59		4	#10-24 x 1/2 HP-5 Screw
23	56171552	1	Capacitor, 1200 MFD. 115V				
	56180266	1	Capacitor, 189-227 MFD. 230V				
24	56180268	2	Clamp, Capacitor 230V				
25	56180264	1	Capacitor, 45 MFD 230V				

* = Not Shown



Item	Ref. No.	Qty	Description	Item	Ref. No.	Qty	Description
			100V / 115V				230V
1	56171552	1	Capacitor, 1200MFD.	1	56180264	1	Capacitor, 45MFD.
2	56454524	1	Wire Assy, #14 x 6.50	2	56755588	1	Wire Assembly #14 x 3.50
3	56182020	1	Motor, 115V/60HZ	3	56168786	1	Circuit Breaker, 13A
4	56387554	1	Varistor Assy	4	56180266	1	Capacitor, 189-227MFD.
5	56180162	1	Rectifier	5	56180018	1	Motor, 230V/50HZ
6	56469864	2	Wire Assembly #14 x 5.00	6	56180158	1	Wire Assembly #14 x 8.00
7	56180152	1	Cord Assembly	7	56180156	1	Wire Assembly #14 x 8.00
8	56180275	1	Circuit Breaker, 15A	8	56180160	1	Wire Assembly #14 x 4.00
9	56388019	1	Switch, Main	9	56388019	1	Switch, Main
10	56524069	1	Cord Set, 115V	10	56300227	1	Cord Set
	56180116	1	Cord Set, 100V	11	56180274	1	Plug Assembly
				12	56180272	1	Connector TSB 741



Nilfisk-Advance, Inc.
14600 21st Avenue North
Plymouth, MN, 55447-3408
www.nilfisk-advance.com
Phone: 800-989-2235
Fax: 800-989-6566
©2000 Nilfisk-Advance, Inc.,
Plymouth, MN 55447-3408
Printed in the U.S.A.