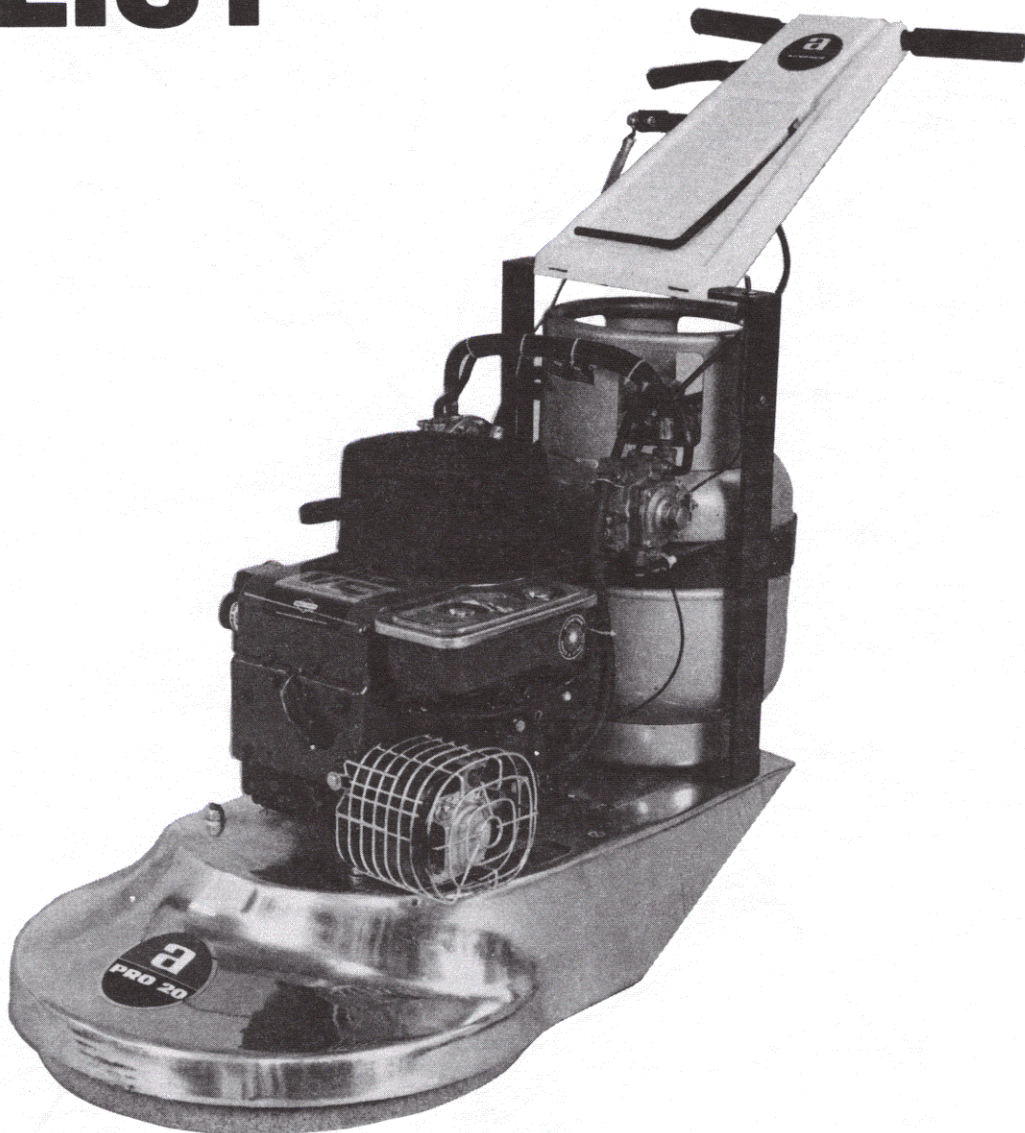


WHIRLAMATIC PRO 20

MODEL WP20

THIS PARTS LIST IS FOR MACHINES
AFTER SERIAL NUMBER 152512.

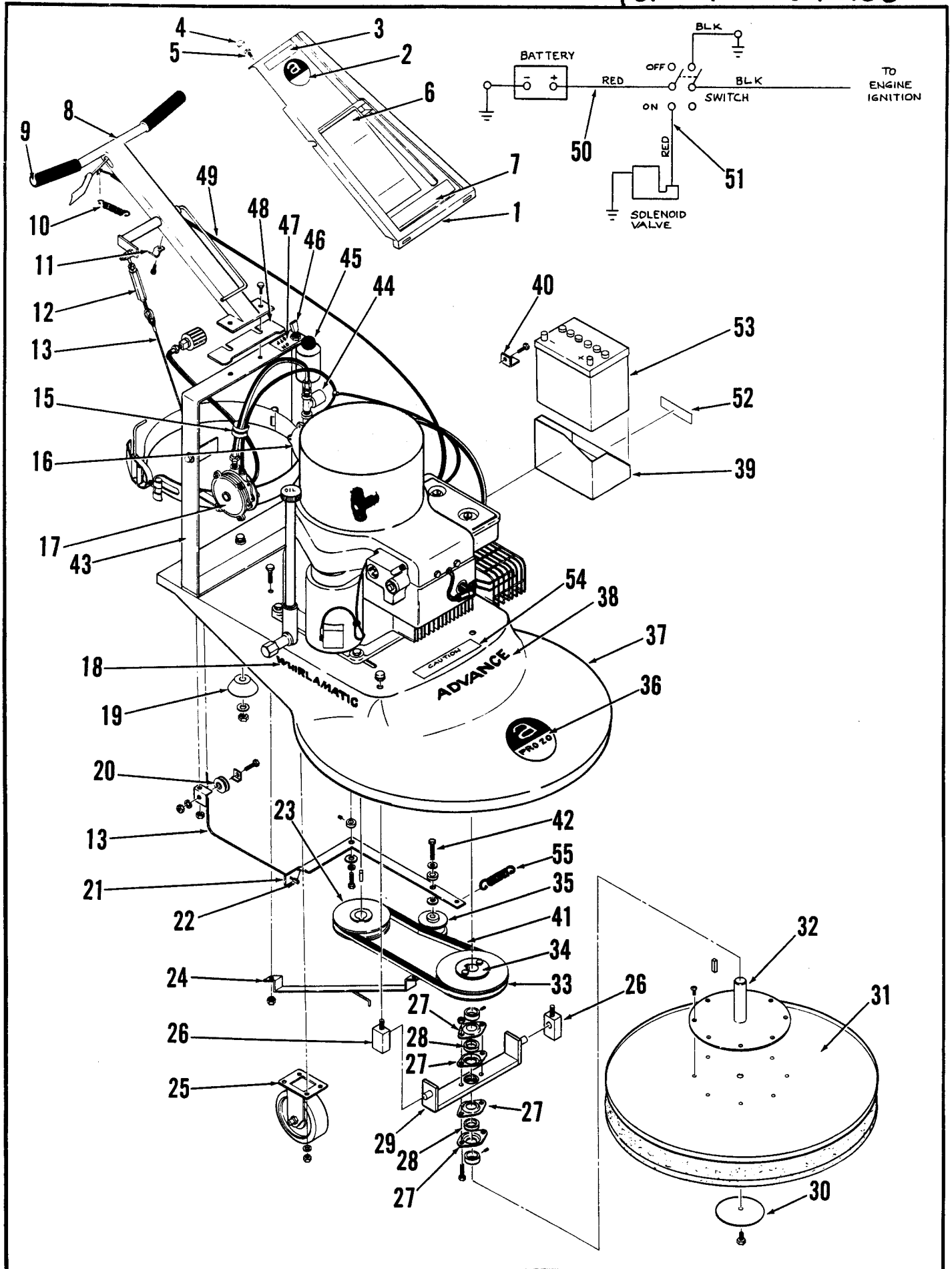
PARTS LIST



ADVANCE
MACHINE COMPANY

INTERNATIONAL HEADQUARTERS, Plymouth, Minnesota 55441-3485
EUROPE, Llantrisant, Pontyclun, Mid-Glamorgan CF7 8YZ, Wales, United Kingdom
CANADA, 1295 Crestlawn Drive, Mississauga, Ontario L4W 1A9





#	PART NO.	Q	DESCRIPTION
1	389910	1	SHROUD
2	017019	1	LOGO
3	023319	1	CAUTION DECAL
4	387190	3	CAP
5	002523	3	SCREW
6	023317	1	INSTRUCTION DECAL
7	023315	1	TANK STORAGE DECAL
8	389926	1	HANDLE
9	157244	2	PLUG BUTTON
10	370355	1	SPRING
11	389915	1	CABLE CLAMP
12	389979	1	TURNBUCKLE
13	389980	1	CABLE
14	389996	1	HIGH PRESSURE HOSE
15	478246	2	CABLE TIE
16	389997	1	REGULATOR
17	389998	1	VACUUM SHUTOFF
18	023323	2	WHIRLAMATIC DECAL
19	389916	1	RUBBER STOP
20	389977	1	GUIDE ROLLER
21	389920	1	IDLER ARM
22	389981	2	CABLE END
23	389914	1	MOTOR PULLEY
24	389925	1	BELT GUARD
25	389924	2	WHEEL
26	389960	2	PILLOW BLOCK
27	389929	4	STAMPING
28	389930	2	FRONT END BEARING
29	389933	1	YOKE
30	389965	1	PAD WASHER
31	389934	1	DRIVE DISC
32	389963	1	SHAFT PLATE
33	389931	1	FRONT SHEAVE
34	389928	1	SHEAVE BUSHING
35	389918	1	IDLER PULLEY
36	023311	1	PRO 20 DECAL
37	389923	1	BODY HOUSING
38	030008	1	ADVANCE DECAL
39	389912	1	BATTERY BOX
40	389913	1	BATTERY CLIP
41	389935	1	V-BELT
42	389917	1	IDLER ARM BOLT
43	389927	1	TANK FRAME
44	403582	1	SOLENOID
45	389967	1	STARTER BUTTON
46	486359	1	TOGGLE SWITCH
47	023313	1	ON-OFF DECAL
48	389911	1	BRACKET
49	389919	1	THROTTLE CABLE
50	389952	1	WIRE ASSEMBLY
51	389953	1	WIRE ASSEMBLY
52	023321	1	BATTERY CHARGER DECAL
53	389999	1	12 VOLT BATTERY
54	016106	1	CAUTION DECAL
55	389921	1	SPRING