

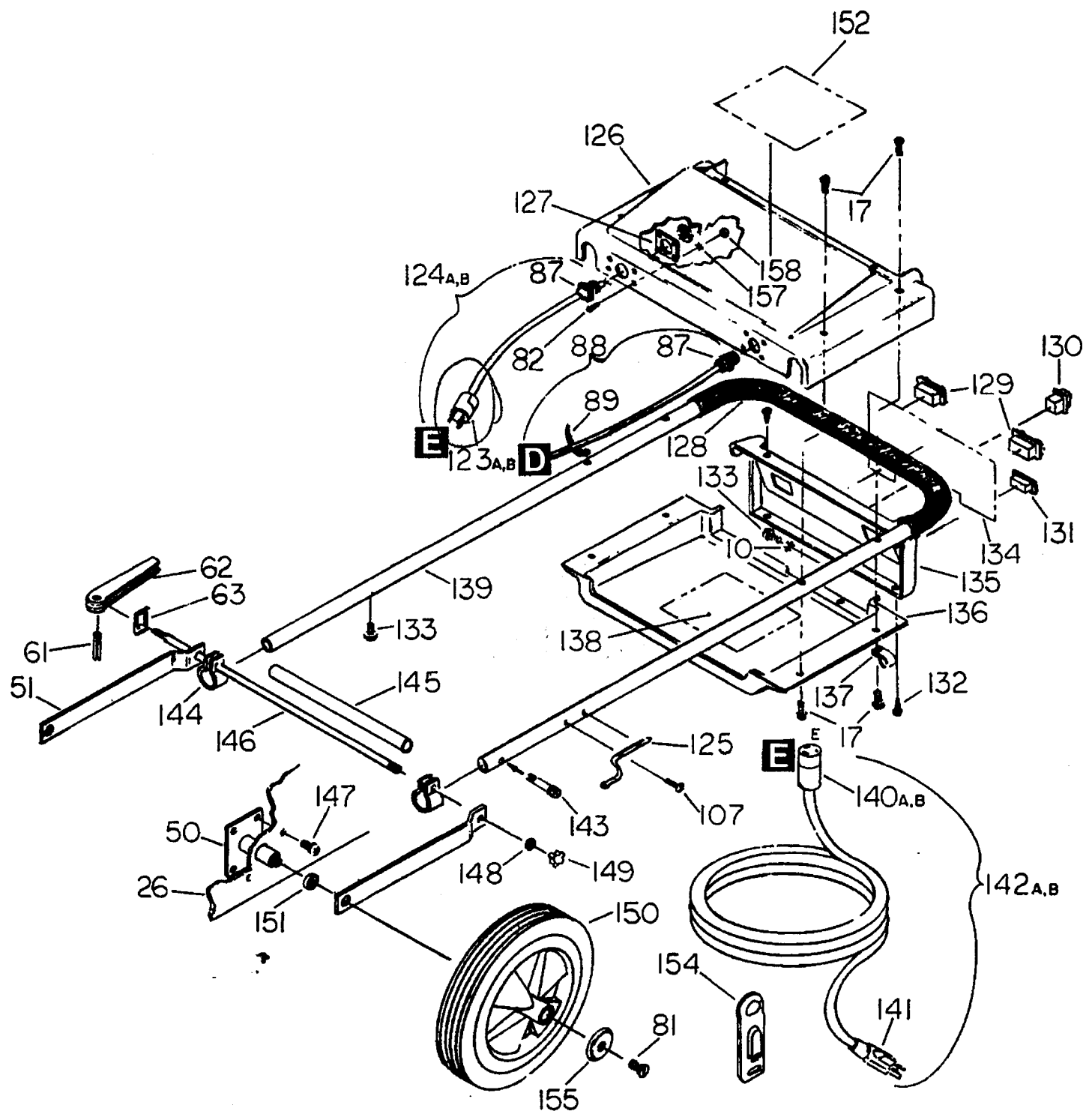
115V ADMIRAL UL & CSA
Cabinet Assembly

Ref #	Part Number	Description
4	27079	Cuff, 1 1/2" White Hose
5	54070	Muffler, ADM Vac Hose
6	27051	Cable Tie, 10.75"
7	39231	Hose, ADM Vac Exhaust
8	70191	Scr. 10-32 x 1/2" HH Thdcut Typ 23
9	14258	Brush Set, 5.7" 2 Stage HP
10	87016	Washer, #10 Ext Tooth
11	39226	Hose, CV1 Cable Guard
12	14242	Brkt, 5.7" Vac Motor Mounting
13	57082	Nut, 1/4-20 Captive J
14	70011	Scr, 1/4-20 5/8" HHMS S.S.
15	36044	Guard, ADM Belt Mchd.
16	11015	Belt, ADM Brush Drive
17	70088	Scr, 10-32 x 1/2" PHMS
18	48011	Key, 3/16" x .125" x 1"
19	64022	Pulley, PM4 V-Belt Motor
20	70074	Scr, 10-32 x 1/4" Set
21	53093	Motor, 115V G.E. 1/3 HP
21	53098	Motor, 230V G.E. 1/3 HP
22	87025	Washer, 1/4" Ext Tooth Lock
23	57047	Nut, 1/4-20 Lock
24	65011	Pump, FLO-JET 2000-549 MPU 115V
24	65061	Pump, ENS-1 FJ 2000-549 MPU 230V
25	87013	Washer, 1/4" ID X 5/8" OD Flat
26	34110	Frame, ADM Main Chassis
27	70010	Scr, 1/4-20 x 1.5" HHMS SS
28	38087	Handle, ADM Front Lift
29	39229	Hose Asm, ADM Dome to Vac Shoe
30	41086	Housing, ADM A Brush Mchd.
31	14250	Bumper ADM Right Vac Shoe
32	85005	Vac Shoe Asm
33	36043	Guard, ADM Lint
34	87038	Washer, .65" x .855" Wave Spring
35	87031	Washer, .530" ID x 1.5" OD Teflon
36	87039	Washer, 1.12" x .5" Neoprene
37	09019	Bearing, PM4 Brush
38	14219	Brush, ADM
39	36048	Guard, ADM Brush Pulley
40	03026	Axle, ADM Brush
41	14249	Bumper, ADM Left Vac Shoe
42	70127	Scr, 6-32 x 1/4" PHMS Pltd.
43	70190	Scr, 1/4-20 x 1/2" BHCS
44	05016	Arm, ADM Vac Shoe Parallel
45	87074	Washer, 3/8" ID x .010" Wave
46	73181	Spacer, .305" ID x 3/8" OD Steel
47	87008	Washer, 1/4" ID x 1.25" OD F
48	70053	Scr, 10-32 x 1/2" RHMS SS
49	89046	Weight, ADM Vac Shoe Left
50	03028	Axle Plate Asm, ADM Main Wheel
52	70015	Scr, 1/4-20 x 3/4" HHMS SS
53	39241	Hose, 1/2" ID x 12.5" Rubber
54	27074	Cap, Nozzle
55	44046	Jet, 11003 Brass Tee
56	84047	Valve, Check (1/4" MPT, 7 PSI)
57	54069	Manifold, ADM

115V ADMIRAL UL & CSA
Cabinet Assembly

Ref #	Part Number	Description
58	54068	Manifold Asm, ADM
59	57030	Nut, 10-32 Lock w/NY Ins Pltd.
60	40014	Hosebarb, 1/4" MPT x 3/8"
64	57022	Nut, 3/8-16 Lock
65	57085	Nut, 3/8-16 Finished Hex Jam
66	03027	Axle, ADM Roller
67	67082	Roller, ADM 10.88" PVC
68	14244	Brkt, ADM Roller Mounting
69	66016	Plug, 7/8" Chromed
70	20042	Clamp, 3/8" Dia. Hose
71	73040	Spring #55 SS Wire
72	51042	Lever, ADM Roller Adjustment
73	31016	Elbow, 1/4" MPT x 1/4" FPT
74	56014	Nipple, 1/4" Close
75	78027	Tee, 1/4" FPT
76	87030	Washer, .390" ID x 3/4" OD Nylon
77	84045	Valve. 1/4" FPT x 1/4" MPT Plug
78	40015	Hosebarb, 1/4" FPT x 3/8" HB
79	14025	Breaker, 6A 115V Circuit
80	70066	Scr, 10-32 x 3/4" PHMS
81	70166	Scr, 1/4-20 x 1/2" FHMS
83	39233	Hose, 3/8" x 17"
84	70020	Scr, 1/4-20 x 1/2" HHMS SS
85	66073	Pin, 1/16" x 3/4" Long Cotter
86	14241	Brkt, ADM Handle Mtq.
87	73134	Strain Relief 12/3 Liq. Tite
88	23085	Cord Asm, ADM Handle to Base
89	27049	Cable Tie 7"
91	62115	Plate, ADM Roller Adjustment
92	56012	Nipple, 1/4 FPT Quick Disc
93	87015	Washer, 9/16 ID x 1 1/16" OD F
94	40010	Hosebarb, 3/8" MPT x 3/8 HB
95	31026	Elbow, 3/8" ST
96	39028	Hose, 3/8" x 13.0"
97	39230	Hose Asm, ADM Dome to Vac Motor
98	27073	Cuff, 1.5 Blue Hose
99	53111	Motor, 115V, 5.7 Tang. H-Perf
99	53127	Motor, 230V, 5.7 Tang. H-Perf
101	70019	Scr, 1/4-20 x 1.25" HHMS SS
115	40013	Hosebarb, 3/8" MPT x 1/2" HB
116	20018	Clamp, 3/4" Dia. Hose
118	50198	Label, Combined Warning & Caution
119	50232	Label, ADM Valve
120	50235	Label, ADM Circuit Brkr. Warning
121	73178	Spacer, ADM Roller Bracket
122	70018	Scr, 1/4-10 x 1" HHMS SS
147	70189	Scr, 1/4-20 x 5/16" PHMS
153	57039	Nut, 1.5" Flange
156	14246	Brkt. ADM Roller Adjustment
159	89045	Weight, ADM Vac Shoe Right
160	87018	Washer, #10 Flat
161	87007	Washer, Star Lock Washer
162	70052	Screw, 8-32 x 3/8 RHMS

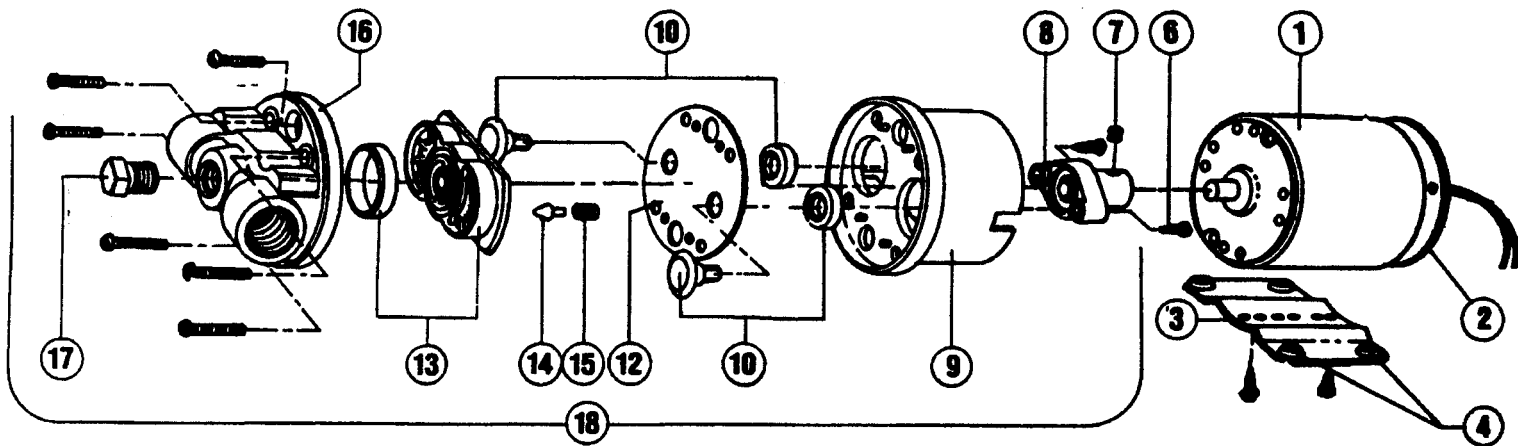
115V ADMIRAL UL & CSA
Handle Assembly



115V ADMIRAL UL & CSA
Handle Assembly

Ref #	Part Number	Description
10	87016	Washer, #10 Ext Tooth
17	70088	Scr, 10-32 x 1/2" PHMS
26	34110	Frame, ADM Main Chassis
50	03028	Axle Plate Asm, ADM Main Wheel
51	05013	Arm, ADM Handle Parallel
61	66068	Pin, .125" Dia. x 5/8" LG Roll
62	51039	Lever Asm, Handle Clamp
63	27226	Clip, ADM Handle Adjustment Lever
81	70166	Scr, 1/4-20x 1/2" FHMS
82	70082	Scr, 6-32 x 1/2" PHMS Blk Nylon
87	73134	Strain Relief 12/3 Liq. Tite
88	23085	Cord Asm, ADM Handle to Base
89	27049	Cable Tie 7
107	70197	Scr, 1/4-20 x 1/2" PHST
123	26015	Cord End, Twistlock 15 AMP
123	26001	Cord End, Twistlock 15 AMP 230V
124	23084	Card Asm, ADM Handle Pigtail 115V
124	23097	Cord Asm, ADM Handle Pigtail 230V
125	41014	Hook, Cord
126	61036	Panel, Upper Control Mchd.
	61072	Panel, ADM Rocker Switch
127	62111	Plate, Strain Relief
128	36046	Grip, ADM Main Handle
129	72004	Switch, Illuminated Rocker
130	72033	Switch, Momentary ON/OFF
131	72035	Switch, Corvette Lighted Rocker
132	70114	Scr, #10 x 3/4" Polyfast
	70204	Scr, #10-24 X 3/4 PH Nylon
133	70031	Scr, #10-32 x 1/4" PHMS Pltd.
134	50227	Label, ADM Control Panel
135	61038	Panel, ADM Top Control Mchd.
136	61037	Panel, ADM Lower Control Mchd.
137	20015	Clamp, 9/16" Dia. Plastic
138	50233	Label, ADM Wiring Diagram
139	38086	Handle, ADM Main
140	26009	Cord Receptacle, Twistloc 15A 115V
140	26012	Cord Receptacle, Twistloc 15A 230V
141	26006	Cord End, 115V 3 Wire
142	23086	Cord Asm., ADM 14/3 SJTW x 50 Ft.
142	23096	Cord Asm., ADM-1 14/3 SJTW X 50 Ft.
143	70117	Scr. 1/4-20 x 1.5" Soc w/1" Shldr.
144	20038	Clamp, Handle Adjustment
145	73180	Spacer, Handle Adjustment
146	67073	Rod, ADM Hdl Adjustment Tension
147	70189	Scr, 1/4-20 x 5/16" PHMS
148	87067	Washer, 5/16" Star Lock
149	48012	Knob, GH Bearing Block Screw
150	89044	Wheel, 10" Gray x 1.75"
151	73179	Spacer, ADM Wheel Axle
152	50184	Label DOM 4-W-Black and Silver
154	73169	Strain Relief, Shulte Cord Retainer
155	27232	Cap, ADM Wheel Hub
157	87026	Washer, #6 Ext Tooth Lock
158	57012	Nut, 6-32 Hex

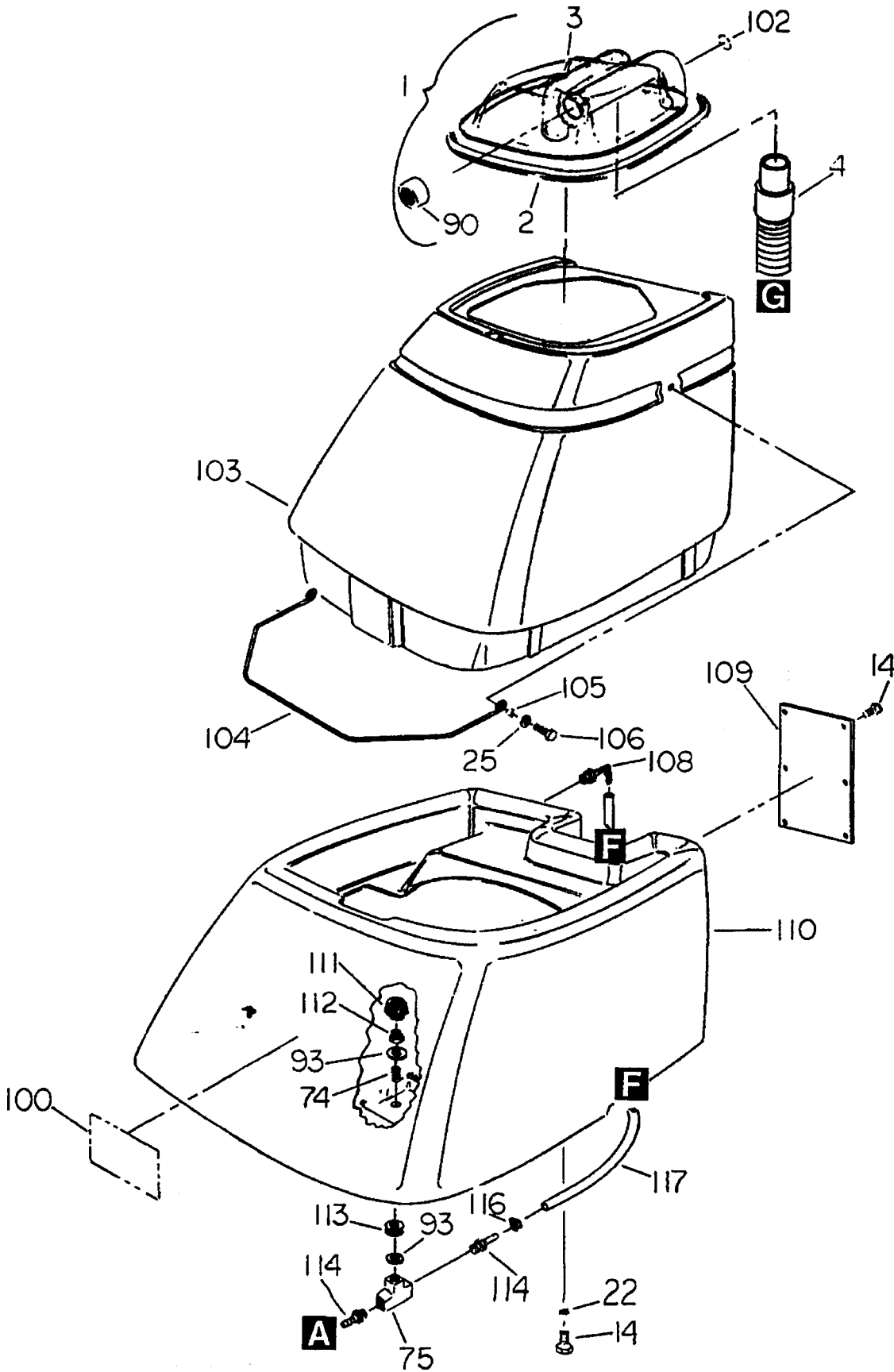
115V ADMIRAL UL & CSA
Pump



115V ADMIRAL UL & CSA
Pump

Ref #	Part Number	Description
	65011	Pump & Motor 115V
	65061	Pump & Motor 230V
1	53016	Motor 115V
1	53017	Motor 230V
2	67066	Rectifier/End Bell Asm.
3	62023	Plate, Motor Mounting
4	36006	Grommet Set of 4
	47020	Kit, Pump Repair Includes items 6, 7, 8, 10, 12, 13, 14, 15
6		Included in Pump Repair Kit P/N 47020
7		Included in Pump Repair Kit P/N 47020
8		Included in Pump Repair Kit P/N 47020
10		Included in Pump Repair Kit P/N 47020
12		Included in Pump Repair Kit P/N 47020
13		Included in Pump Repair Kit P/N 47020
14		Included in Pump Repair Kit P/N 47020
15		Included in Pump Repair Kit P/N 47020
9	27057	Bearing Cover
16	41010	Pump Housing
17	66017	Pipe Plug
18	65019	Pump Complete (2000-549 & 556)

115V ADMIRAL UL & CSA
Tank Assembly



15V ADMIRAL UL & CSA

Tank Assembly

Ref #	Part Number	Qty	Description
	28024		Dome Asm. ADM
	35060		Gasket, ADM Dome
	28026		Dome, ADM Replacement w/o Gasket
	27079		Cuff, 1.5" White Hose
4	70011		Scr, 1/4-20 5/8" HHMS S.S.
2	87025		Washer, 1/4" Ext Tooth Lock
5	87013		Washer, 1/4" ID X 5/8" OF Flat
4	56014		Nipple, 1/4" Close
5	78027		Tee, 1/4" FPT
10	34115		Filter, Vac Intake w/Screen
3	87015		Washer, 9/16 ID x 1 1/16" OD F
100	50226		Label, ADM Main
102	29118		Dot, Blue 3/4" Dia.
103	75078		Tank. ADM Recovery Machined
104	38088		Handle, ADM Recovery Tank
105	73188		Space, .305 ID x 3/8" OD x 5/16"
106	70194		Scr, 1/4-20 x 5/8" BHCS
108	40027		Hosebarb, 3/8" MPT x 1/2 90 Deg.
109	27228		Cover, ADM Tank Hose
110	75079		Tank, ADM Solution Machined
111	73063		Strainer, 40 Mesh
112	14076		Bushing, 3/8 MPT x 1/4 FPT BR
113	36008		Grommet, 7/16" ID Rubber
114	40028		Hosebarb, 1/4" MPT x 1/2" HB
116	20018		Clamp, 3/4" Dia. Hose
117	39234		Hose, ADM Solution Tank Dump
147	70189		Scr, 1/4-20 x 5/16 PHMS

