

# **X829 Asbestos Series 4 & 6 Gallon Units**

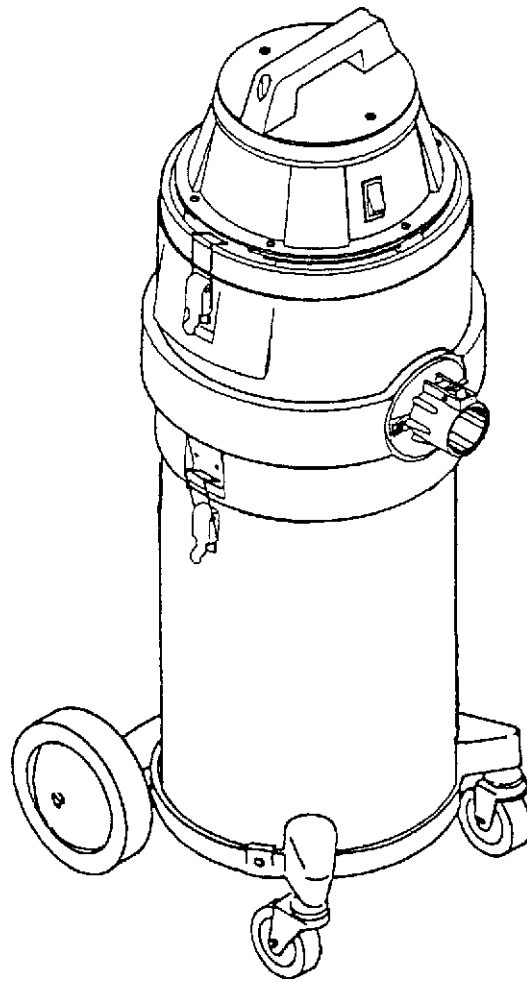
**Model: C82904-01  
C82906-01  
C82904-02  
C82906-02**

**OPERATION**

**SERVICE**

**PARTS**

**CARE**



Revised 7/02

***Minuteman***<sup>®</sup>

# FOR COMMERCIAL USE ONLY

## IMPORTANT SAFETY INSTRUCTIONS

When using an electrical appliance, basic precautions should always be followed, including the following:

### READ ALL INSTRUCTIONS BEFORE USING

#### **WARNING** - To reduce the risk of fire, electric shock, or injury:

- Do not leave appliance when plugged in. Unplug from outlet when not in use and before servicing.

#### **WARNING**

To reduce the risk of electric shock - Do not expose to rain. Store indoors.

- Do not allow to be used as a toy. Close attention is necessary when used by or near children.
- Use only as described in this manual. Use only manufacturer's recommended attachments.
- Do not use with damaged cord or plug. If appliance is not working as it should, has been dropped, damaged, left outdoors, or dropped into water, return it to a service center.
- Do not pull or carry by cord, use cord as a handle, close a door on cord, or pull cord around sharp edges or corners. Do not run appliance over cord. Keep cord away from heated surfaces.
- Do not unplug by pulling on cord. To unplug, grasp the plug, not the cord.
- Do not handle plug or appliance with wet hands.
- Do not put any object into openings. Do not use with any opening blocked; keep free of dust, lint, hair, and anything that may reduce air flow.
- Keep hair, loose clothing, fingers, and all parts of body away from openings and moving parts.
- Do not pick up anything that is burning or smoking, such as cigarettes, matches, or hot ashes.
- Do not use without dustbag and/or filters in place.
- Turn off all controls before unplugging.
- Use extra care when cleaning on stairs.
- Do not use to pick up flammable or combustible liquids such as gasoline or use in areas they may be present.
- Connect to a properly grounded outlet only. See grounding instructions.

### SAVE THESE INSTRUCTIONS

## INSPECTION

Carefully unpack and inspect your machine for shipping damage. Each unit is tested and thoroughly inspected before shipment, and any damage is the responsibility of the delivery carrier who should be notified immediately.

## ELECTRICAL - 115 Volt

This machine is designed to operate on a standard 15 amp. 115 volt, 60 hz, AC circuit. Voltages below 105 volts AC or above 125 volts AC could cause serious damage to the motor.

## ELECTRICAL - 240 Volt

This machine is designed to operate on a standard 16 amp. type L fused 230 volt, 50 hz, AC circuit. Voltages below 200 volts AC or above 250 volts AC could cause serious damage to the motor. I.E.C. Class I.

## WARNING

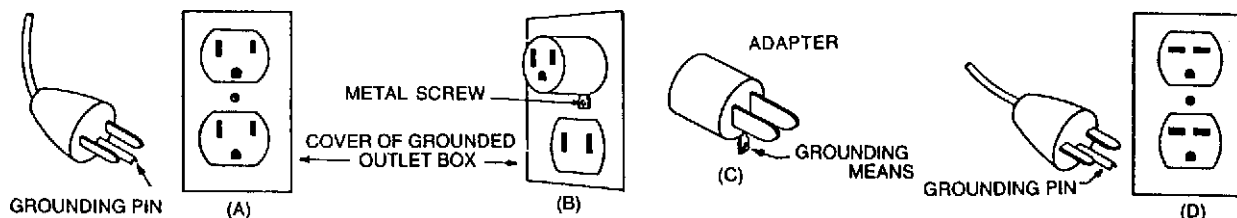
Electric motors can cause explosions when operated near explosive materials or vapors. Do not operate this machine near flammable materials such as solvents, thinners, fuels, grain dust, etc.

## GROUNDING INSTRUCTIONS

This appliance must be grounded. If it should malfunction or breakdown, grounding provides a path of least resistance for electric current to reduce the risk of electric shock. This appliance is equipped with a cord having an equipment-grounding conductor and grounding plug. The plug must be plugged into an appropriate outlet that is properly installed and grounded in accordance with all local codes and ordinances.

**DANGER** - Improper connection of the equipment-grounding conductor can result in a risk of electric shock. Check with a qualified electrician or service person if you are in doubt as to whether the outlet is properly grounded. Do not modify the plug provided with the appliance — if it will not fit the outlet, have a proper outlet installed by a qualified electrician.

This appliance is for use on a nominal 120-volt circuit and has a grounding plug that looks like the plug illustrated in sketch A below. Make sure that the appliance is connected to an outlet having the same configuration as the plug. No adapter should be used with this appliance.



## **USER MAINTENANCE INSTRUCTIONS**

All service and repair should be performed by qualified vacuum service representative or electrician. No user serviceable components are employed in the electrical vacuum lid head assembly. No lubrication of the motor is required.

### **CLOTH BAG & HOSE ASSEMBLY**

Cloth bag and hose assembly are user maintenance items and can be replaced when worn out. Cloth bags can be maintained by blowing dust off of the bag and then laundered. Cloth bags should be completely dried before re-installing into machine. For optimum performance, empty and clean filter bag regularly. A clogged and dirty bag restricts the flow of air and results in reduced vacuum. The hose assembly can be maintained by wiping off with a dampened cloth of mild liquid soap and water, then allowed to dry.

### **CORD STORAGE**

While not in use storage can be accomplished by winding cord around motor lid assembly. Cord should be completely unwound from lid assembly during operation.

- Do not use with damaged cord or plug. If appliance is not working as it should, has been dropped, damaged, left outdoors, or dropped into water, return to service center.
- Do not pull or carry by cord, use cord as handle, close a door on cord, or pull cord around sharp edges or corners. Do not run appliance over cord. Keep cord away from heated surfaces.
- Do not unplug by pulling cord. To unplug, grasp the plug, not the cord.
- Do not handle plug or appliance with wet hands.

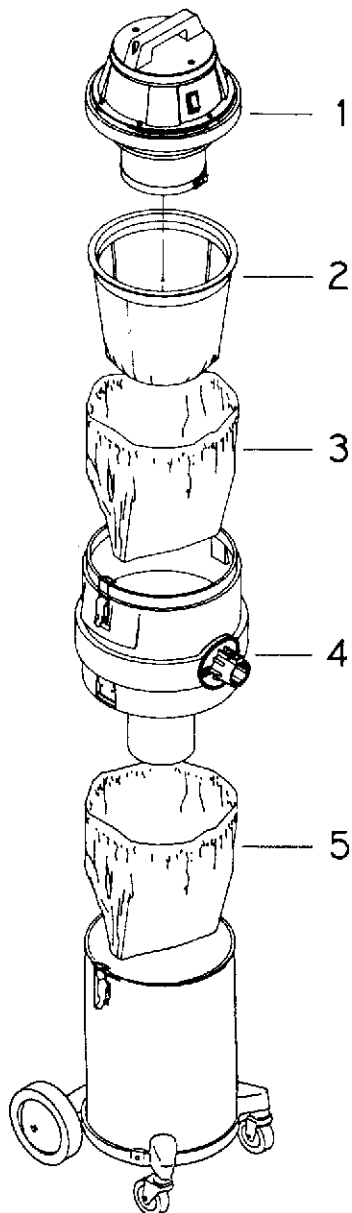
Always unplug the machine when removing the motor head off the tank. This equipment should be stored indoors and not exposed to rain.

## **OPERATION AND FILTER CARE INSTRUCTIONS WHEN USED FOR ASBESTOS DUST RECOVERY**

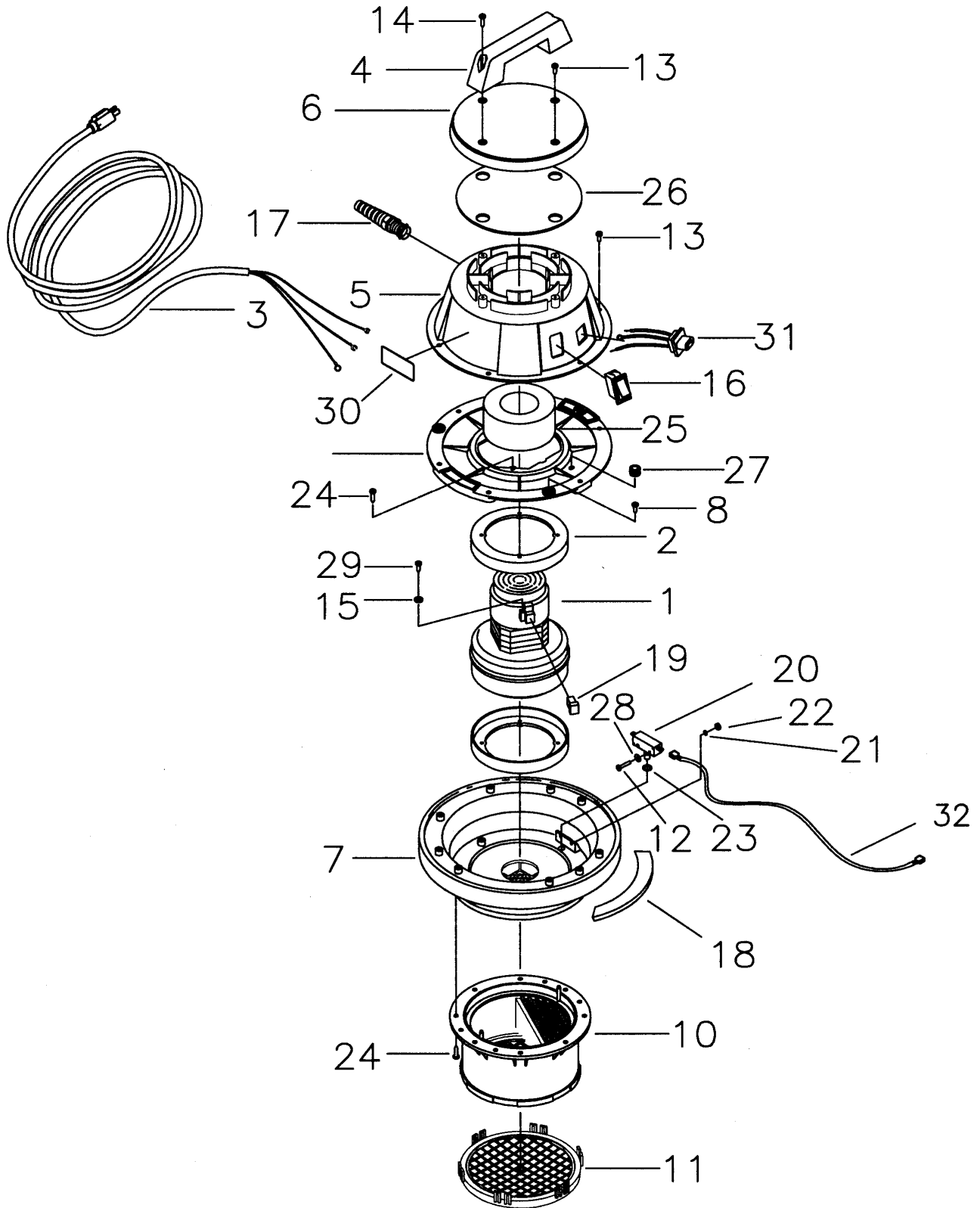
The Minuteman Asbestos Vacuum has been specifically designed to clean up fibrous asbestos and asbestos dust of all types. Special filters reduce the incidence of airborne dust that would be created by any other method of cleaning. During the removal of asbestos dust, do not sweep, scoop, shovel, or in any manner handle other than by vacuuming. Do not at any time attempt to bypass, remove, substitute or by any other means change the filters used in this vacuum. Use only approved Minuteman Asbestos Vacuum filters and filter bags. Before attempting to use and before cleaning, be certain that you fully understand the instructions given for the setting up or cleaning/changing of filters of this vacuum. Since each facility has its own individual and unique cleaning problems, it is suggested that you use the following guidelines in determining the length of time between filter changes. In light cleaning situations (i.e. dust in brake drums and the truing of brake shoes) change filters once a day unless you have determined by checking that a shorter or longer period of time would be necessary to meet the 10 to 15 pounds.

## TANK/FILTER SET-UP PROCEDURE

1. When using the poly adapter for dry pick-up follow the described procedures below.
  - A. Insert poly bag into tank assembly draping all excess bag height over the edge of tank. Fully open bag inside tank to ensure that the bag is not bunched up and fully extended to the bottom of tank.
  - B. Depending on the weight of the dry material being recovered, it may be necessary to slit the poly bag 2" horizontally approximately 2" down from the top of the tank. This will stop the poly bag from closing in on the bottom on the poly adapter. After filling the bag, tie off bag below slit and remove from tank.
2. Install poly 1:1 adapter (4) on top of tank assy. (6) as shown and snap tank latches.
3. Install filter protector (3) over cloth filter (2) and place in poly 1:1 adapter (4).
4. Position vacuum motor lid assy. (1) on top of poly 1:1 adapter and snap lid latches in place.



1. Motor lid assembly
2. Cloth filter with frame
3. Filter protector
4. 1:1 Poly adapter
5. Plastic liner for top fill dry pickup
6. 4/6 gallon tank



## PARTS LIST

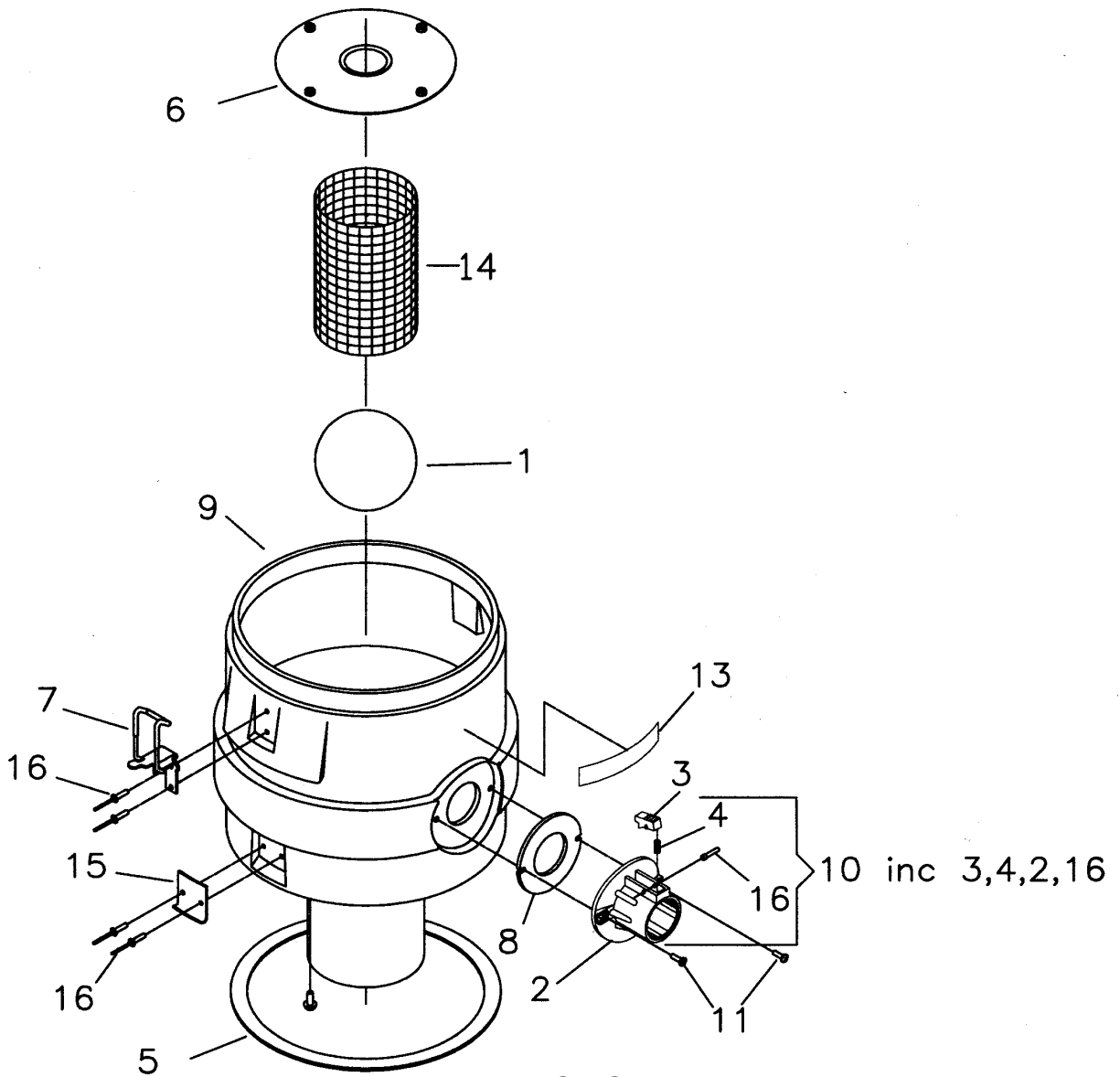
Item	Part No.	Qty.	Description
1	380001	1	Vac Motor Bypass 85" 115V
1A	380054	1	Vac Motor 6125-00 240V
2	290017	2	Molded Vac Motor Gasket
3	381020	1	Gray Cord Set 16-3 50'
3A	740083	1	Cord HO5 VVF2 x 1.5 x 40'
4	460001	1	Handle Basic 460
5	460100	1	Motor Lid Cover
6	460101	1	Motor Cap
7	460120	1	Motor Pan Assy. 294/6
8	711125	3	SCR-ST-B 10 x .50 NI
9	460104MCH	1	Motor Hold Down Plate
10	110004	1	Hepa Filter Copolm 1
11	110005	1	Pre-Filter Assembly
12	710307	2	SCR-MC 6/32 x 1
13	711161	8	SCR HI/LO #10 x 3/4 PL
14	711162	2	SCR HI/LO #10 x 1 1/2 PL
15	711553	1	WSR - Internal Lock #10
16	809754	1	Switch Rocker
17	833237	1	Strain Relief w/Nut
18	290031	1	Gskt. Lid 390 Series New
19	380028	2	Crbon. Brush Repl. 380001
20	740029	1	Switch
21	711551	2	WSR Lock #6
22	711301	2	Nut 6/32
23	390062	1	O-Ring
24	711160	9	SCR Hi/Lo #10 x 5/8
25	380064	1	Foam Ring
26	290032	1	Dome Seal
27	700287	1	Grommet
28	711502	2	Washer, Flat #8
29	711124	1	SCR-ST-0B #10 x .37
30	715009	1	Decal, Warning to Avoid
31	831801	1	Recepticle w/Clip
32	740938	1	16G Black Wire
***	829116	1	Lid Assy. Complete 115V
***	829220	1	Lid Assy. Complete 240V

### Ref. Item 11 Pre-filter

To install pre-filter Item 11, position on bottom of H.E.P.A filter Item 10 as shown on Page 5 and snap into place. To remove, rotate pre-filter on base of H.E.P.A. filter to disengage clamp fingers and slide off.

### WARNING

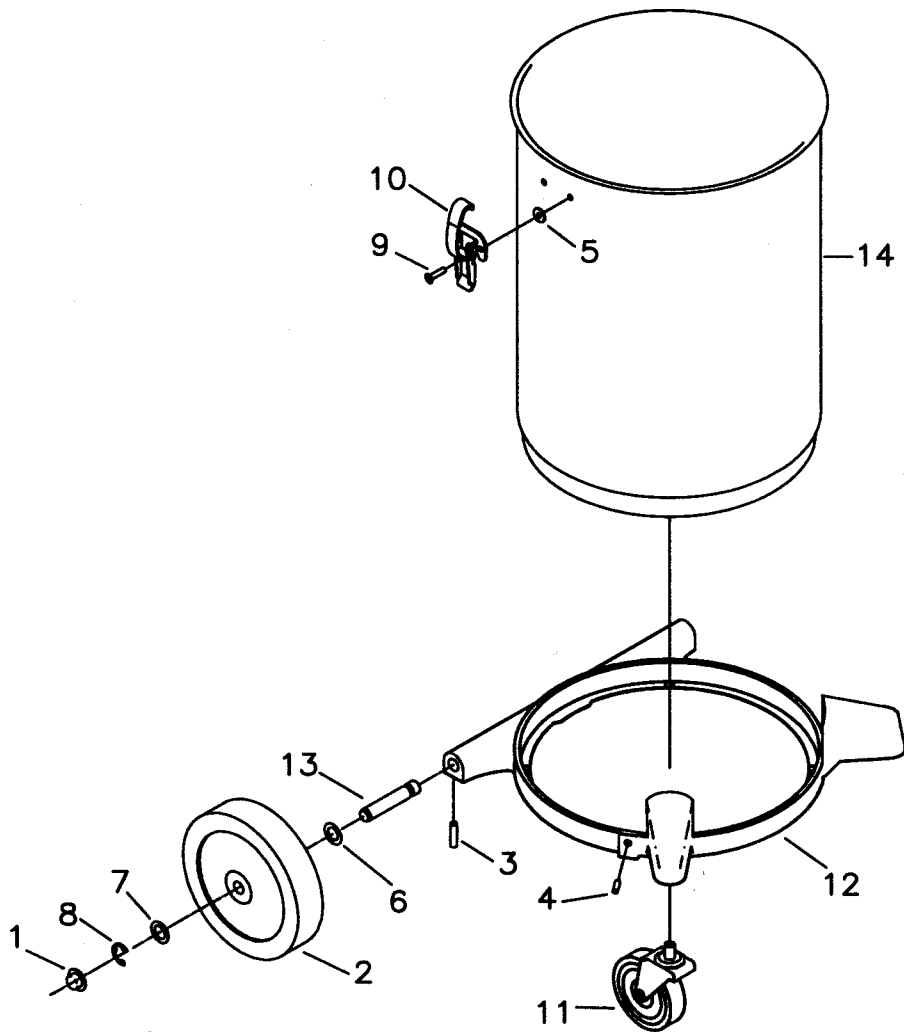
This vacuum may contain potentially hazardous dust depending on its application. Special handling of contaminated disposable bags and filters is recommended. Disposal must be in compliance with local EPA regulations.



**PARTS LIST**

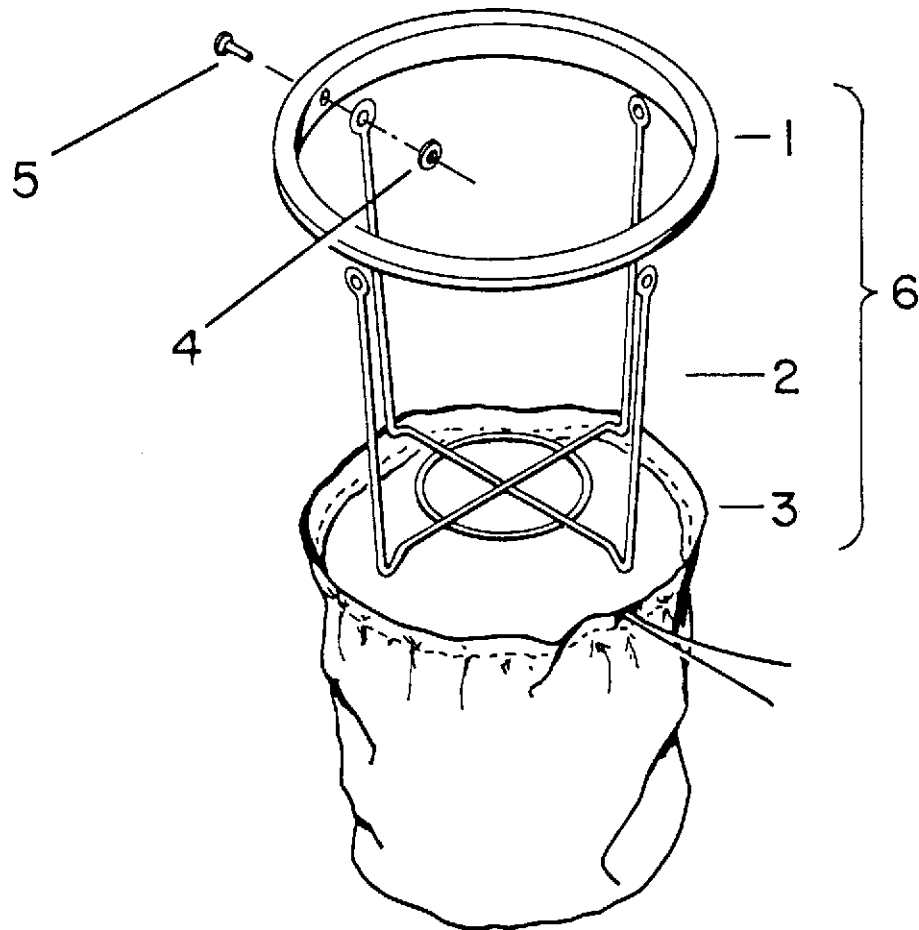
Item	Part No.	Qty.	Description
1	380046	1	Hollow Rubber Ball
2	390101	1	Intake Aluminum
3	390001	1	Trigger
4	390002	1	Return Spring
5	390005	1	Gasket 4/6 Gal 1:1 Poly
6	390010	1	Liquid Shutoff Plate
7	390035	2	Latch 390 Series
8	390087	1	Gasket Diecut Intake
9	390090	1	Adapter 1:1 Poly
10	390110	1	Intake Assembly Aluminum
11	712530	2	SCR-MC 10 - 24 x .62 SS
12	712565	4	SCR-MC 1/4 - 20 x .62 SS
13	715381	1	Decal, Minuteman
14	800421	1	Filter Insert Screen
15	800423	2	Latch Plate
16	828893	8	Rivet Pop





### PARTS LIST


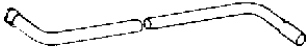
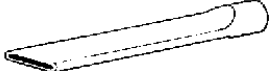




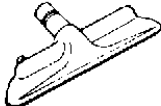
Item	Part No.	Qty.	Description
1	130032	2	Cap Retainer
2	760083	2	Wheel 6"
3	711005	4	SCR-SK 1/4-20 x .31
4	711006	3	SCR-SK 1/4-20 x .62
5	711503	4	WSR-Flat #10
6	711524	2	WSR-Wave .52 x .87 x .01
7	711594	2	WSR-Flat .56 x .88 x .03 NI
8	711713	2	Retaining Ring
9	711915	4	Rivet .19 x .28 x .37 HD STNI
10	761054	2	Latch
11	280016	2	Caster
12	900055PTD	1	Bracket, Wheel
13	900066	2	Axle, Plated
14	829085	1	Tank, 6 Gal. PTD
14A	829080	1	Tank, 4 Gal. PTD



### PARTS LIST

Item	Part No.	Qty.	Description
1	760244MCH	1	Molded Bag Ring
2	760406PLT	1	Bag Frame
3	805040	1	Cloth Bag
4	712764	4	Washer
5	711903	4	Pop Rivet
6	800056	1	Bag Assy. Comp.

# OPTIONAL INDUSTRIAL TOOLS AND ACCESSORIES

<b>A</b>		800317 Hose Assy. 1 1/2" x 10'
<b>B</b>		290000 Wand Assy. 1 1/2, Complete
<b>C</b>		800035 12" Crev Tool Complete
<b>D</b>		800083 133249 800084 3" Rd Dust Brush, Complete Dust Brush HSG 3" Bristle Insert 3"
<b>E</b>		800124 731 5" Tool Only Without Insert Bristle Insert Replacement
<b>F</b>		800603 800612 808648 14" Brush Tool, Complete Brush Insert Tool
<b>G</b>		800605 711128 800615 808648 500295 500296 14" Squeegee, Complete SCR #10 HI/LO 14" Retaining Strip Nozzle, Squeegee Blade Squeegee Blade Squeegee Reinforcement
<b>H</b>		807237 807214 807374 16" Floor Tool, Complete Nozzle Floor Brush Replacement

# LIMITED WARRANTY

Minuteman International, Inc. warrants to the original purchaser/user that this product is free from defects in workmanship and materials under normal use and service for a period of two years from date of purchase. In addition, Minuteman International, Inc. will, at its option, honor labor warranty claims for the first 12 months from date of sale, provided such claims are submitted through and approved by factory authorized repair stations. Minuteman International, Inc. will, at its option, repair or replace without charge, except for transportation costs, parts that fail under normal use and service when operated and maintained in accordance with the applicable operation and instruction manuals.

This warranty does not apply to normal wear, or to items whose life is dependent on their use and care, such as belts, cords, switches, hoses, rubber parts, electrical motor components or adjustments. Parts not manufactured by Minuteman International, Inc. such as engines, batteries, battery chargers, hydraulic pumps, and tires are covered by and subject to the warranties and/or guarantees of their manufacturers. Please contact Minuteman International, Inc. for procedures in warranty claims against these manufacturers.

**Special warning to purchaser** — Use of replacement filters and/or prefilters not manufactured by Minuteman International, Inc. or its designated licensees, will void all warranties expressed or implied.

A potential health hazard exists without exact original equipment replacement.

All warranted items become the sole property of Minuteman International, Inc. or its original manufacturer, whichever the case may be.

Minuteman International, Inc. disclaims any implied warranty, including the warranty of merchantability and the warranty of fitness for a particular purpose. Minuteman International, Inc. assumes no responsibility for any special, incidental or consequential damages.

This limited warranty is applicable only in the U.S.A. and Canada, and is extended only to the original user/purchaser of this product. Customers outside the U.S.A. and Canada should contact their local distributor for export warranty policies. Minuteman International, Inc. is not responsible for costs or repairs performed by persons other than those specifically authorized by Minuteman International, Inc. This warranty does not apply to damage from transportation, alterations by unauthorized persons, misuse or abuse of the equipment, use of non-compatible chemicals, or damage to property, or loss of income due to malfunctions of the product.

If a difficulty develops with this machine, you should contact the dealer from whom it was purchased.

This warranty gives you specific legal rights, and you may have other rights which vary from state to state. Some states do not allow the exclusion or limitation of special, incidental or consequential damages, or limitations on how long an implied warranty lasts, so the above exclusions and limitations may not apply to you.

## ***Minuteman***<sup>®</sup>

**World Headquarters**  
Minuteman International, Inc.  
111 South Rohlwing Road  
Addison, Illinois 60101

(630) 627-6900  
FAX (630) 627-1130

Minuteman Canada, Inc.  
2210 Drew Road  
Mississauga, Ontario  
L5S 1B1

(905) 673-3222  
FAX (905) 673-5161

987945  
Printed in U.S.A.