

# AdVac™ 12

---



## **PARTS LIST**

**Advance MODELS 56703400(Obsolete)  
56703410(Obsolete).**



**Nilfisk  
Advance**

*setting standards*

7/90 revised 1/01 FORM NO. 56042229

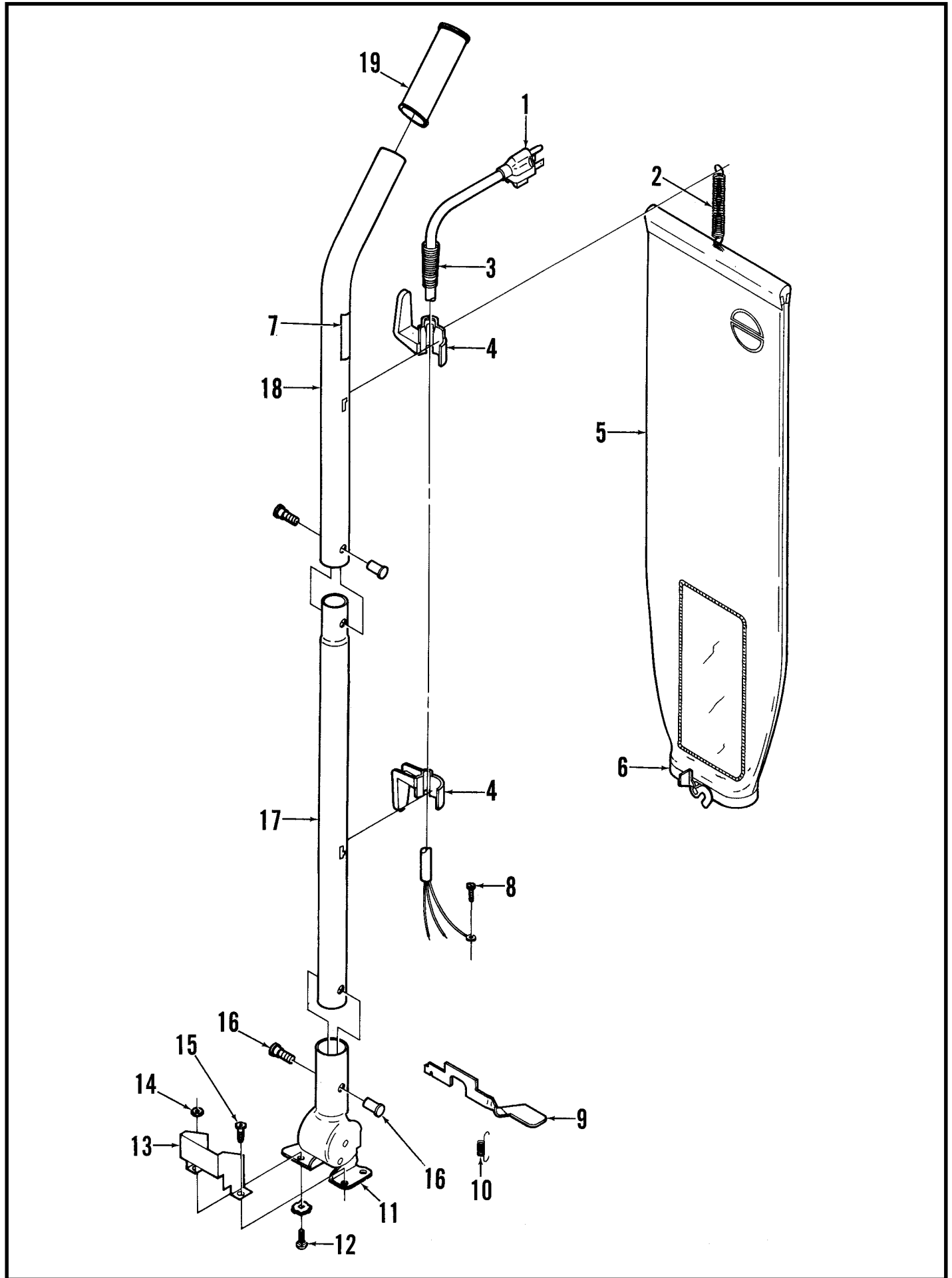
# TABLE OF CONTENTS

<u>DESCRIPTION</u>	<u>PAGE</u>
Handle and Bag Assembly .....	1-2
Base Assembly .....	3-4
Wiring Diagram .....	5

## WHEN ORDERING PARTS

- \* Use the 8 digit numbers from the "Ref. No." columns in this parts list.
- \* Specify the model and serial number of the machine.
- \* Use the space below to record the model and serial number for future reference.

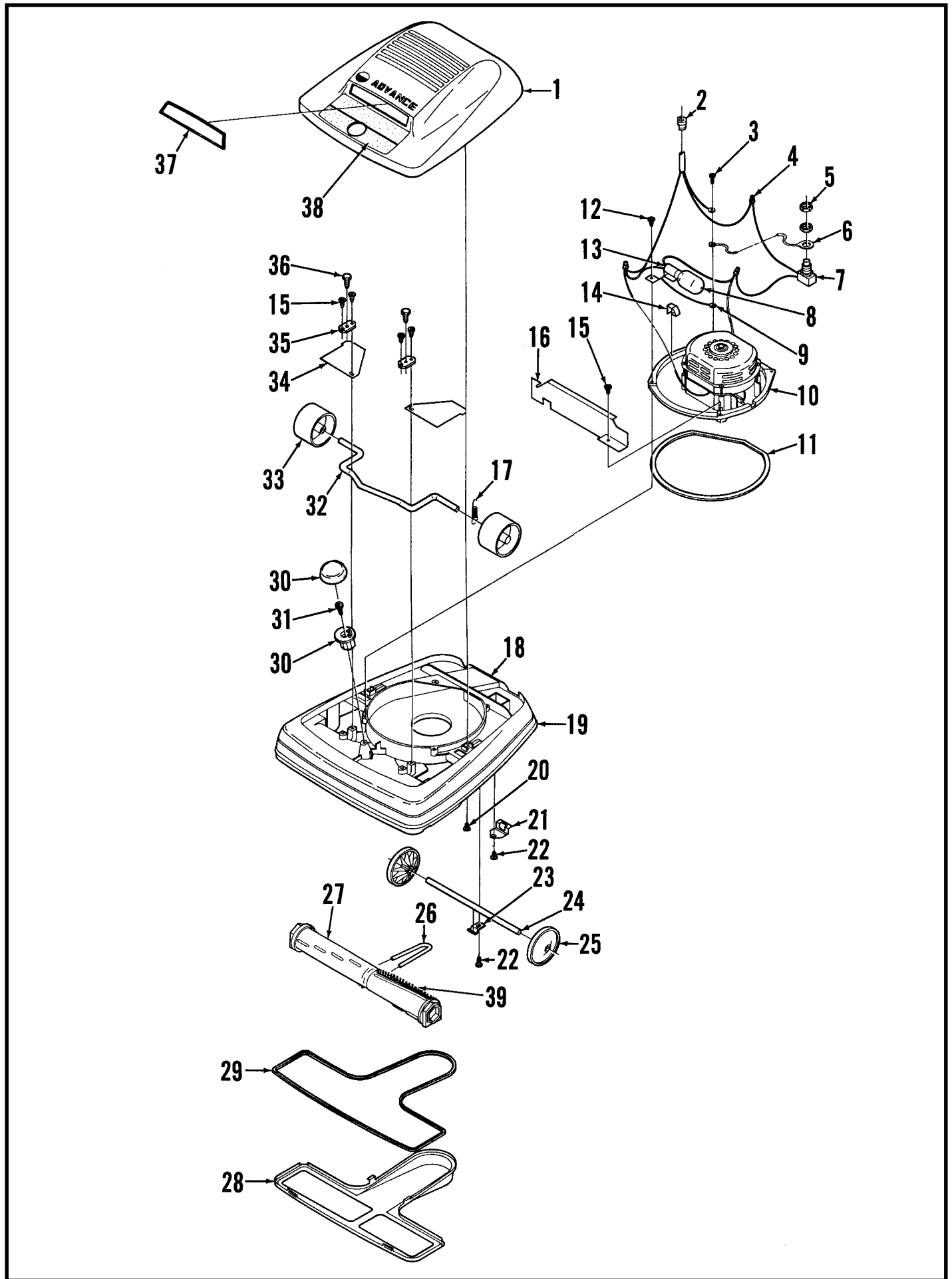
Model \_\_\_\_\_ Serial No. \_\_\_\_\_



## HANDLE AND BAG ASSEMBLY

Item	Ref. No.	Qty	Description
1	56703495	1	Power Cord 115V
	56703541	1	Power Cord 100V
2	56703513	1	Spring
3	56703503	*	Spring pkg of 5
4	56703490	1	Cord Hook Set 115V <b>(includes #16 qty 2)</b>
	56703547	1	Cord Hook Set 100V <b>(includes #16 qty 2)</b>
5	56703511	1	Cloth Bag Assembly
	56703525	1	Zippered Cloth Bag <b>(optional, for disposable bags only)</b>
	56703533	*	Disposable Paper Bags pkg of 3
6	56703515	1	Bag Adapter & Gasket Assy
	56703517	1	Gasket
	56703519	1	Rivet
	56703521	1	Washer
7	56703505	1	Decal, Warning
8	56703496	*	Screw pkg of 10
9	56703445	1	Foot Pedal
10	56703430	*	Spring pkg of 5
11	56703498	1	Handle Socket
12	56703709	*	Bolt pkg of 10
13	56703499	1	Socket Shield
14	56703497	2	Nut
15	56703427	*	Screw pkg of 10
16	56703492	*	Handle Screw Set pkg of 6
17	56703494	1	Lower Handle Tube
18	56703491	1	Upper Handle Assy <b>(#18 &amp; 19)</b>
19	56703501	1	Hand Grip

\* = sold in package quantities only

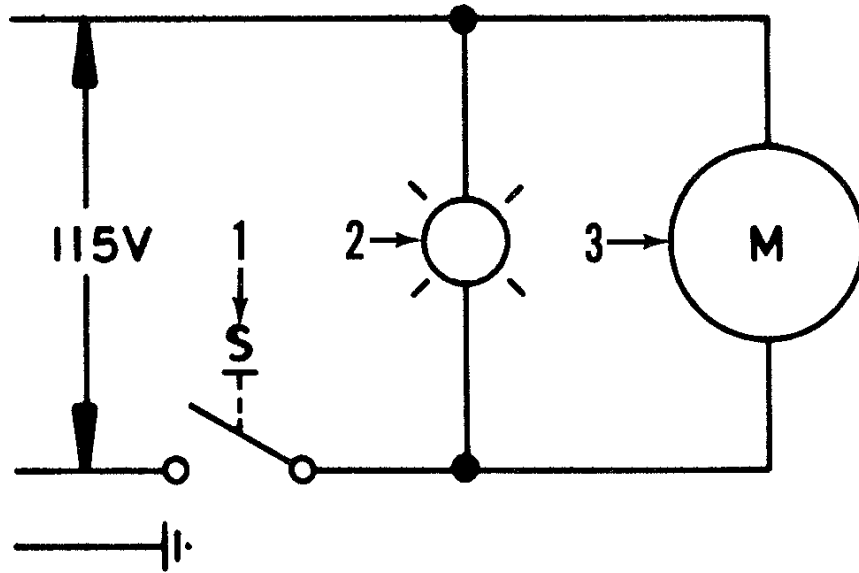


## BASE ASSEMBLY

Item	Ref. No.	Qty	Description
1	56703422	1	Hood 115V
	56703545	1	Hood 100V
	56703557	1	Padded Cover for Base Housing (not shown) (Optional Accessory)
2	56703437	1	Strain Relief 115V
	56703543	1	Strain Relief 100V
3	56703496	*	Screw, pkg of 10
4	56703440	*	Wire Nut, pkg of 10
5	56703441	3	Nut
6	56703438	1	Wire Assembly
7	56703442	1	Switch
8	56703423	1	Light Bulb
9	56703439	1	Wire Assembly
10	56703428	1	Motor Assembly 100V, 115V
	56703480	2	** Carbon Brush
	56703487	1	** Fan
11	56703429	1	Motor Seal
12	56703427	*	Screw, pkg of 10
13	56703425	1	Light Socket
14	56703444	1	Wire Clip
15	56703431	*	Screw, pkg of 10
16	56703426	1	Light Shield
17	56703467	*	Spring, pkg of 6
18	56703448	1	Base
	56703449	1	Right Cam (not shown)
	56703450	1	Left Cam (not shown)
19	56703453	1	Guard
20	56703436	2	Screw
21	56703446	1	Retainer
22	56703447	*	Screw, pkg of 10
23	56703466	*	Clip, pkg of 5
24	56703464	1	Rear Axle
25	56703465	*	Rear Wheel, pkg of 2
26	56703456	1	Belt
27	56703535	1	Brush Assembly
28	56703463	1	Bottom Plate Assembly (#36,37)
29	56703462	1	Foam Tape
30	56703421	1	Knob Assembly
31	56703420	*	Screw, pkg of 10
32	56703455	1	Front Axle
33	56703468	*	Front Wheel, pkg of 2
34	56703435	2	Wheel Cover
	56703432	*	Screw & Clamp Set (#43,44,15) pkg of 6
35	56703434	*	Clamp, pkg of 6
36	56703433	*	Set Screw, pkg of 10
37	56703424	1	Lens
38	56703443	1	Decal, Stripe
39	56703469	1	Bristle Strip Set

\* = sold in package quantities only

\*\* = repair parts for 56703428



### WIRING DIAGRAM

Item	Ref. No.	Qty	Description
1	56703442	1	Switch
2	56703425	1	Light Socket
	56703423	1	Light Bulb
3	56703428	1	Motor Assy 115V



Nilfisk-Advance, Inc.  
14600 21st Avenue North  
Plymouth, MN, 55447-3408  
[www.nilfisk-advance.com](http://www.nilfisk-advance.com)  
Phone: 800-989-2235  
Fax: 800-989-6566  
©2000 Nilfisk-Advance, Inc.,  
Plymouth, MN 55447-3408  
Printed in the U.S.A.