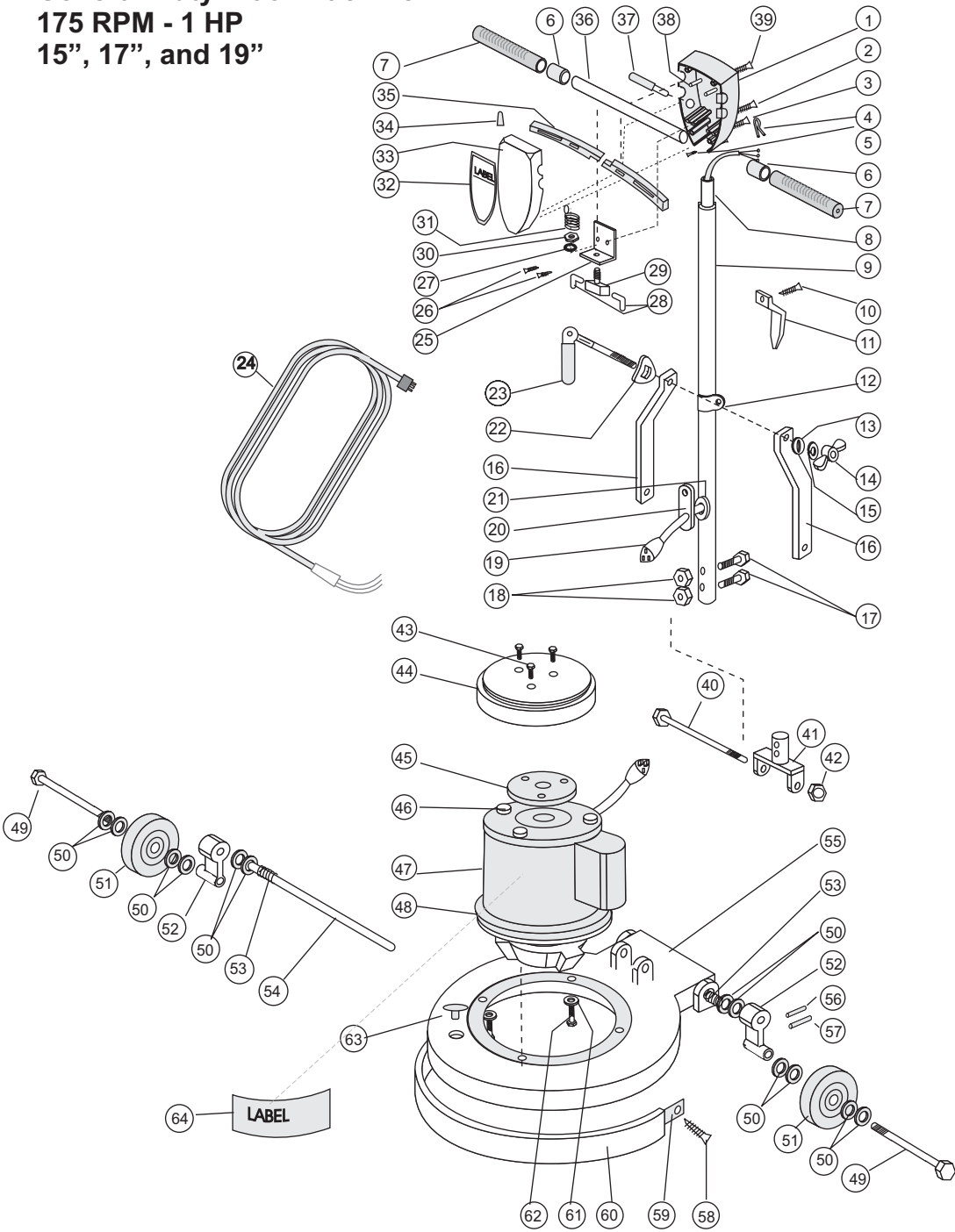


# BULLDOG

## General-Duty Floor Machine 175 RPM - 1 HP 15", 17", and 19"



Number	Description	PART #	# Required
1	Switch Box Back	A-104	1
2	Handle Tube Screw	B-23	2
3	Switch Box Closing Screw	B-21	4
4	Strain Relief Clip	M-213	1
5	Ground Wire Screw	B-68	2
6	Rubber Spacer	M-218 Y	2
7	Hand Grip	M-218	2
8	Handle Tube Insert	M-247	1
9	Handle Tube Assembly	M-206	1
10	Cable Hook Screw	B-2	2
11	Cable Hook	A-164	1
12	Sliding Collar	A-111	1
13	Oval Hole Cam Washer	B-37	1
14	Cam Lock Wing Nut	B-25	1
15	Cam Split Washer	B-39	1
16	Bent Brace	M-216	2
17	Yoke Bolt	B-18A	2
18	Yoke Nut	B-19	2
19	Handle Tube Cable	G-16	1
20	Black Rubber Cable Connector	M-249	1
21	Cable Grommet	B-63	1
22	Rectangular Hole Cam Washer	B-67	1
23	Complete Cam Assembly	CCA	1
24	50 Foot Cable 14/3 Yellow	G-14-50-Y	1
25	Switch Mounting Plate	G-30-B	1
26	Switch Plate Screw	B-1	2
27	Int. Tooth Lock Washer (For Switch)	B-35	1
28	Insulated Flag Wire Connector	G-48	2
29	On-Off Switch And Plate Assembly	G-30-AB	1
30	Lock Washer	B-33	1
31	Trigger Return Spring	G-30-CT057	1
32	Label For Switch Box	CALL FOR #	1
33	Switch Box Front	A-103	1
34	Wire Connector	G-47	1
35	Trigger	A-105	2
36	16" Crossbar	M-211-A	1
37	Safety Interlock Assembly	SIA-1	1
38	Trigger Pin	B-70	2
39	Crossbar Screw	B-22	2
40	Yoke Bolt	B-14	1
41	Yoke	A-1001	1
42	Acorn Nut For Yoke Bolt	B-10	1
43	Drip Cap Mounting Screw	B-151	3
44	56 Frame Drip Cap Cover	M-241	1
45	Cork Drip Cap Gasket	M-248	1
46	Split Washer	B-32	4
47	Motor 56 Frame 1 HP With Gear Box	MOTOR BDP / D	1
48	Gear Box, 11:1, Double Planetary 56 Frame	GB98003, BDP	1
49	Wheel Axel Bolt	B-15, BDP	2
50	Spring Washer	B-51	12
51	6" Wheel	M-250	2
52	Wheel Carriage	A-117	2
53	Spring	B-30	2
54	9" Axel	M-217	1
55B	Base Casting 15"	A-124	1
55C	Base Casting 17"	A-134	1
55D	Base Casting 19"	A-127	1
56	Axel Pin	B-45	2
57	Wheel Axel Pin	B-46	2
58	Bumper Screw	B-68	2
59A	Bumper Strap 15"	M-2011-Strap	2
59B	Bumper Strap 17, 19"	M-202 Strap	2
60A	Bumper 15"	M-232-15	1
60B	Bumper 17"	M-232-17	1
60C	Bumper 19"	M-232-19	1
61	1/4" Medium Split Washer	B-32	3
62	Cap Screw	B-31	3
63	Scrubber Plug	B-50	1
64	Label for Motor	CALL FOR #	1