



**IPC Integrated Professional Cleaning**

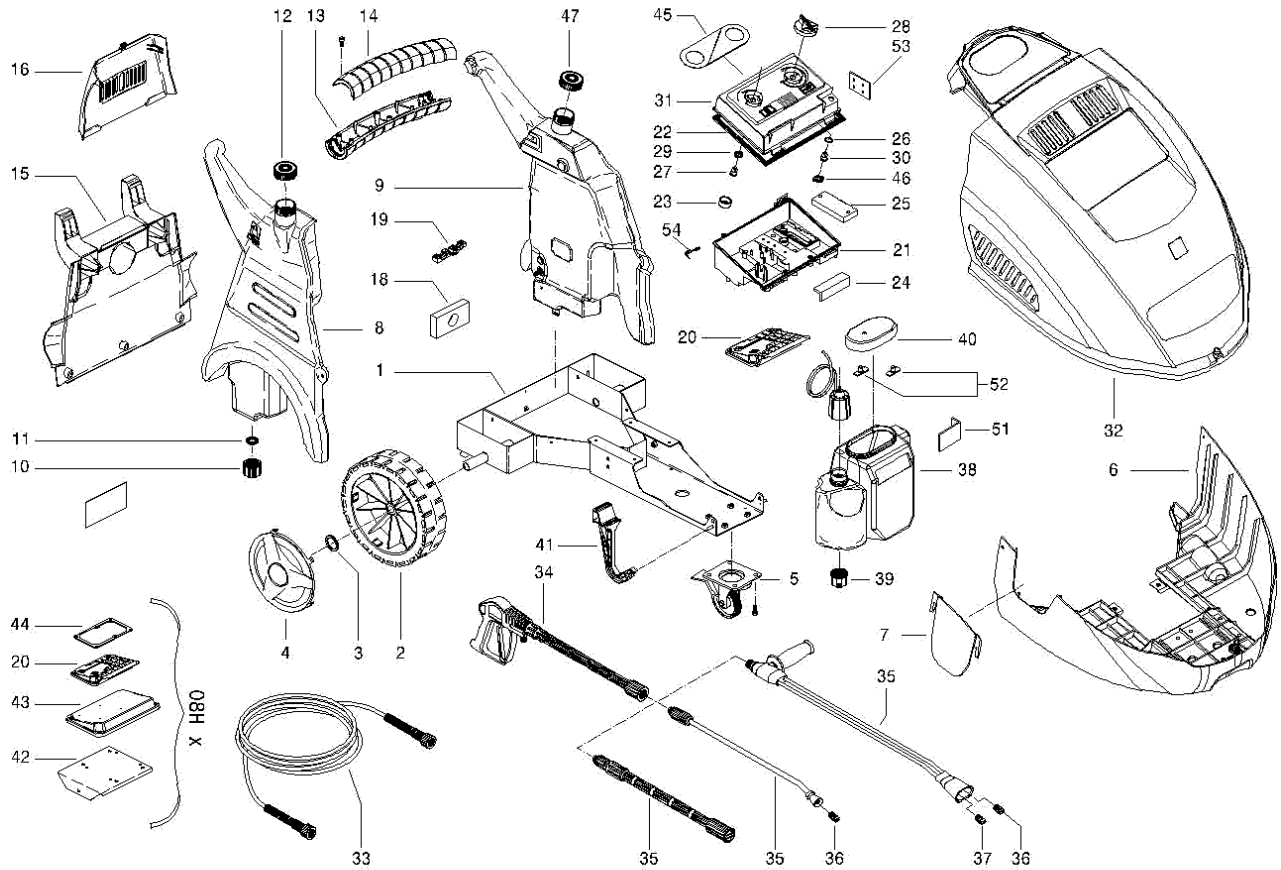
**IPC**Portotecnica

## **Spare Parts List**

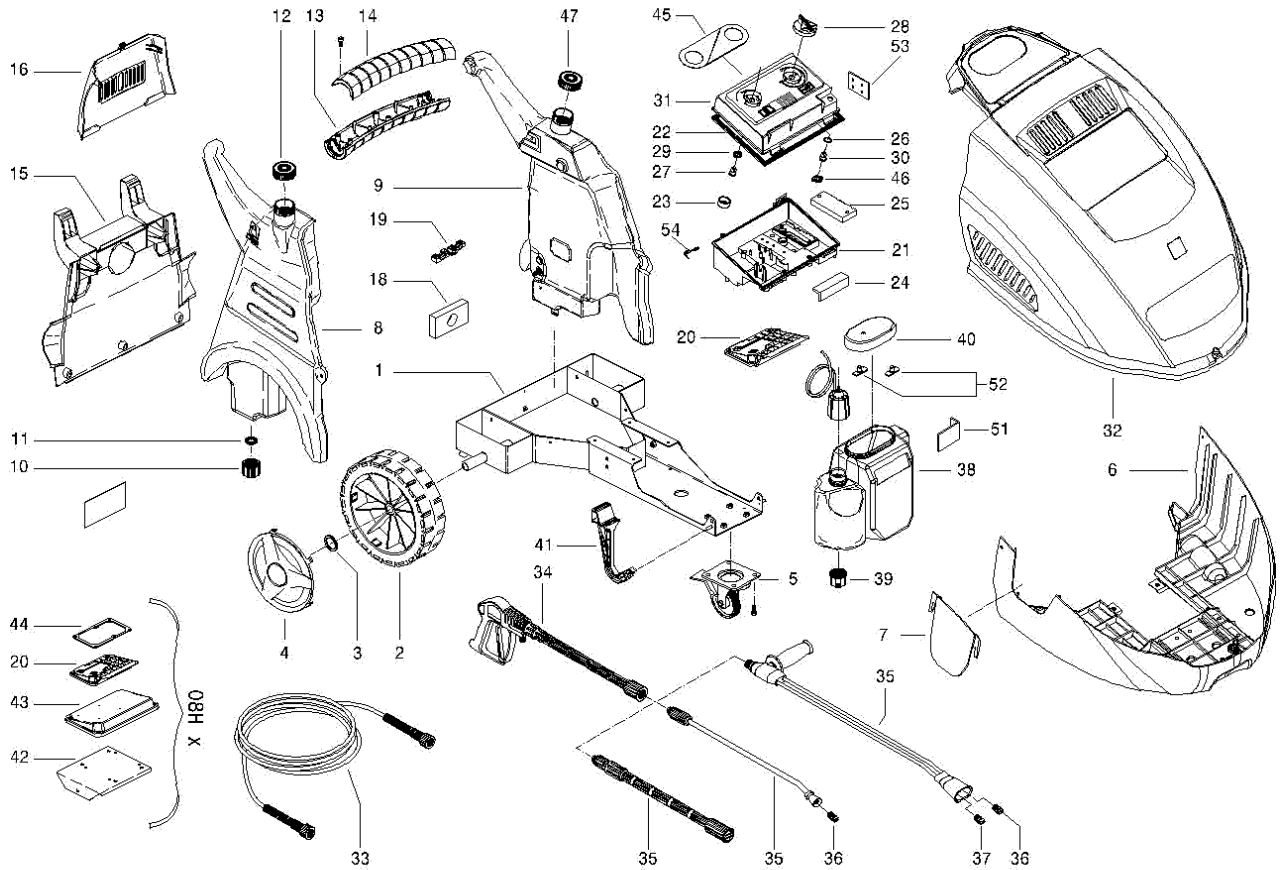
**IPC EAGLE**

**Ref: IDAC40017**

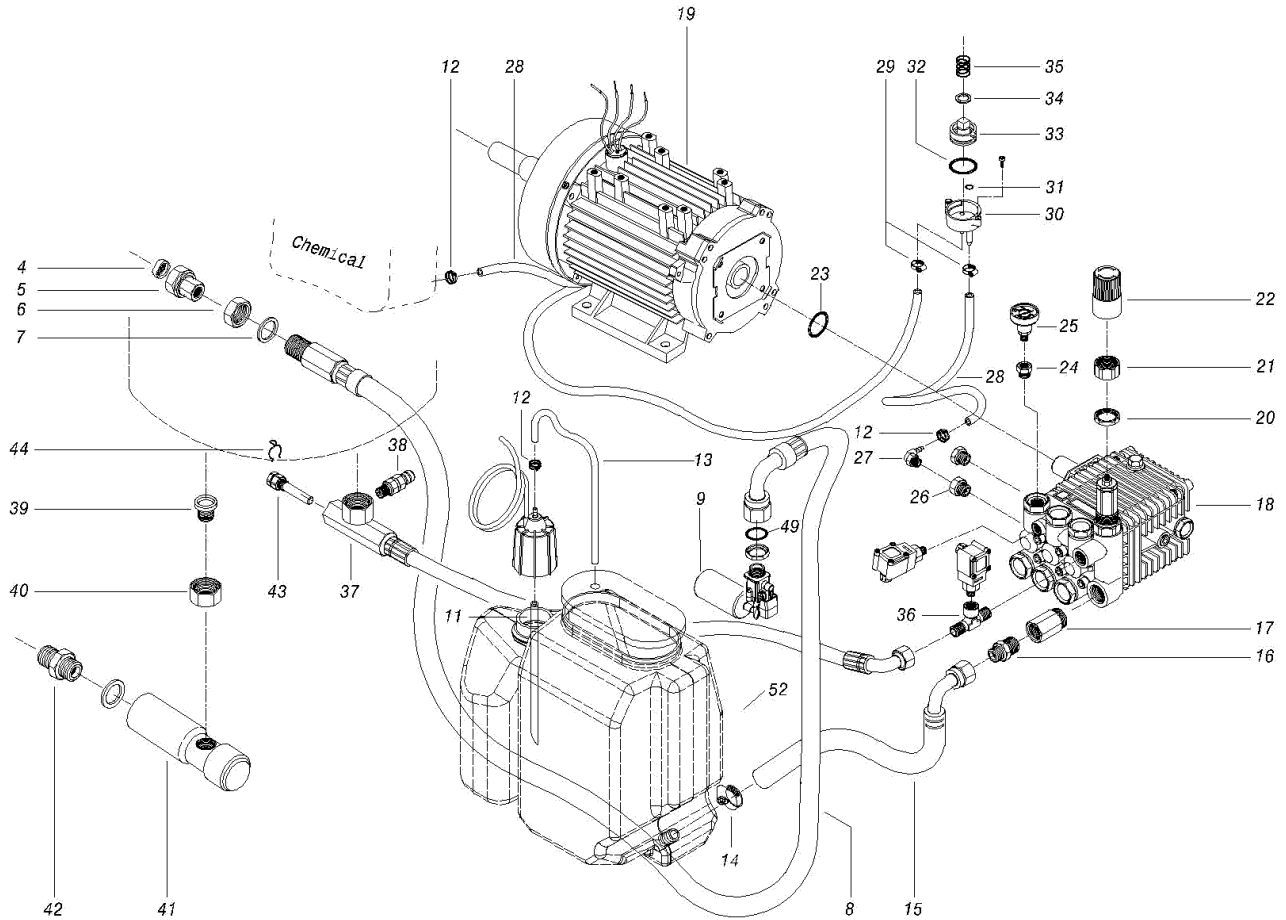
**Model: IDROP CHALLENGE PDS1500 M 115/60 3-01P60**



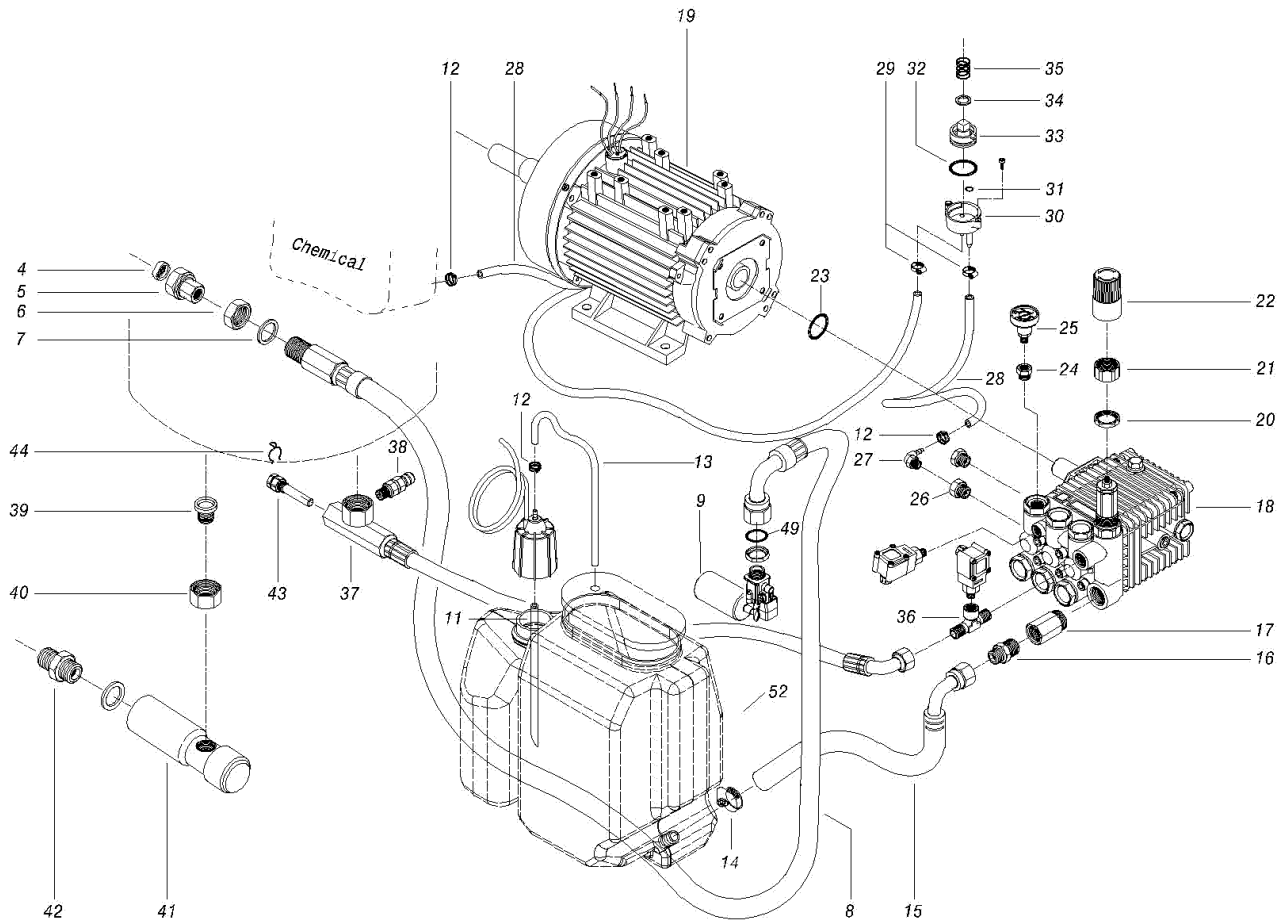
Ref.	K	Part N.	Customer Part N.	Description	Qty	Validity:		Price
						From	To	
0001		LAFN48940		CHASSIS P190 2V. BK.	1,00	05/2003		--
0002		RTRT45383		WHEEL D.305-D.25 RT-IPC	2,00			--
0003		VTRS09813		WASHER D.25	2,00			--
0004		MPVR45384		RED WHEEL COVERD. 305 RT-PRT	2,00			--
0005		RTRT47975		TURNING WHEEL D.100 P MZ.PLS.	1,00			--
0006		MPVR48384		COVER P190 PPL.BK	1,00			--
0007		MPVR48383		DOOR P190 PPL.BK	1,00			--
0008		MPVR48088		TANK P190 PEHD	1,00			--
0009		MPVR40004		FUEL TANK P190 C/RT.GS PEHD	1,00			--
0010		PVVR11806		DISCHARGE CAP FLL	2,00			--
0011		GUGO11489		GASKET D.22X1,5	2,00			--
0012		MPVR45426		TANK CAP P176 PEHD	1,00			--
0013		MPVR48495		HANDLE P190 PA6 BK.	1,00			--
0014		MPVR48496		HANDLE P190 PA6 BK.	1,00			--
0015		MPVR48116		BACK PANEL P190 PPL BK.	1,00			--
0016		MPVR48390		BACK PANEL P190 PPL RD.	1,00			--
0019		MEVR33994		CABLE FASTNER 4228 B D. 6- 18	1,00			--
0020		MPVR47818		PLATE P190 PA6 BK.	1,00			--
0021		MPVR40016		CONTROL BOX P190 MO.US PP	1,00			--
0022		GUGO27129		JOINT 10X3	1,05			--
0023		GUGO48319		GASKET D. 12.5-16.5X1 NBR	1,00			--
0025		MPVR20143		CABLE CLAMP COVKSM	1,00			--
0026		GUGO01035		O-RING D. 13.95 X 2.62 NBR 70SH	1,00			--
0027		MPVR10083		TAIL PIECE OKA L=22	1,00			--
0028		MPVR20190		GREY KNOB KSM	2,00	07/2007		--
0028		MPVR20190		GREY KNOB KSM	2,00	07/2007		--
0028		MPVR20190		GREY KNOB KSM	3,00		07/2007	--
0028		MPVR46511		GREY KNOB KSM C/F.FIS.	1,00	07/2007		--
0029		GUGO23079		V-SEAL RING VA0014 13.5- 15.5	1,00			--
0030		MPVR23484		TAIL PIECE THERM.KSM TUV	1,00			--
0031		LAGR20140		BOX COVER KSM BK	1,00	01/2005		--
0031		MPVR88820		BOX COVER P190 C/F.THS BK.	1,00	01/2005		--
0032		MPVR48385		RED COVER P190 SUP. PP	1,00			--
0033		TBAP40003		H.P. HOSE R1 MT 15 1/4" C/2 IRV IX	1,00			--
0034		IPPR89429		GRIP G 4500 - P.330 -M22SW.M V	1,00			--
0035		LCPR12983		DOUBLE EXTENS. PD 70	1,00			--
0036		UGLN05174		NOZZLE 1/4 5040 OT	1,00			--
0037		UGLN11195		NOZZLE LECH 1/4 25035	1,00		07/2006	--
0037		UGLN49990		NOZZLE LECH 1/4 25034	1,00	07/2006		--



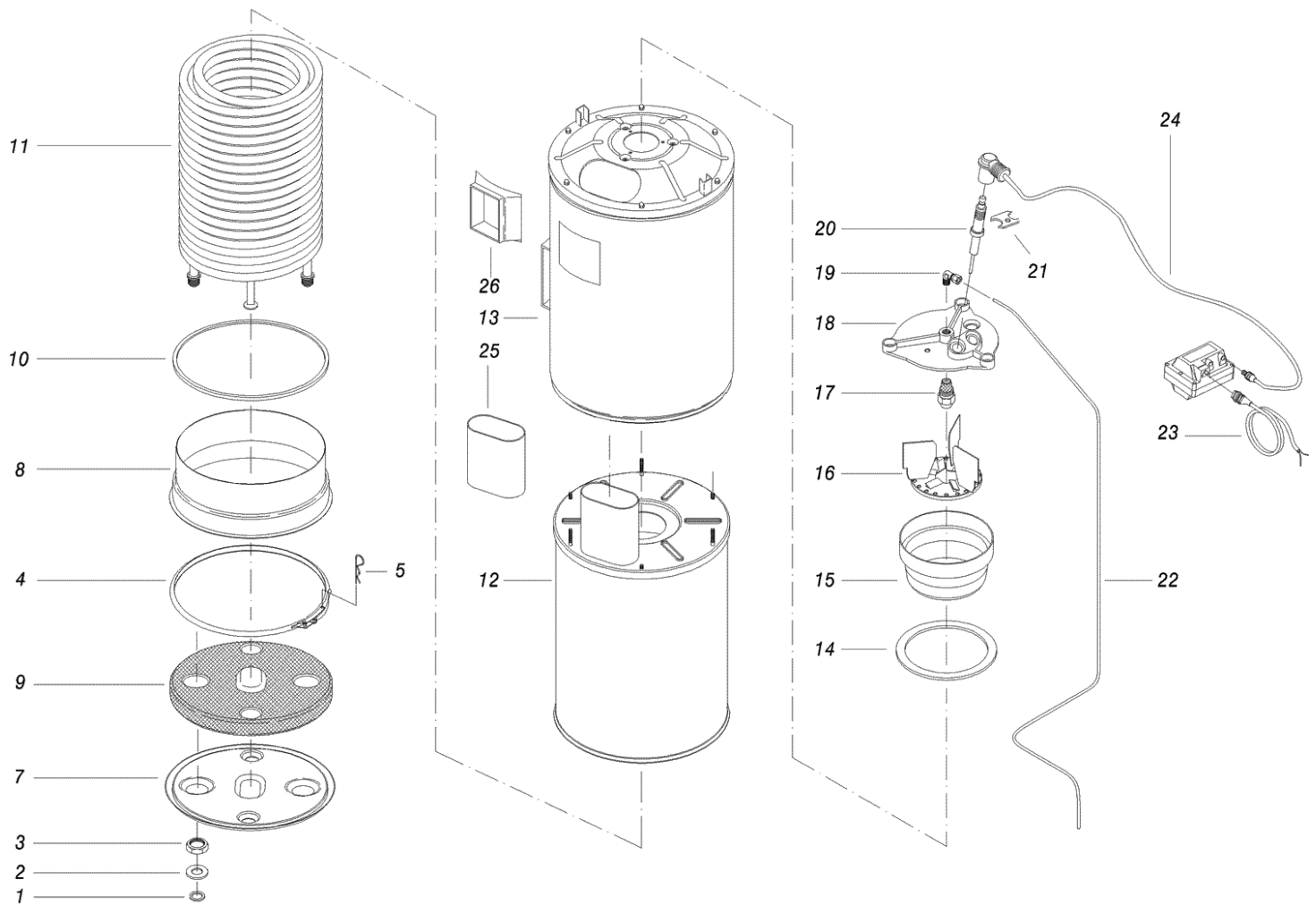
Ref. K	Part N.	Customer Part N.	Description	Qty	Validity:		Price
					From	To	
0038	MPVR89076		WATER TANK P190-2V. PEHD BK.	1,00	07/2005		--
0038	MPVR48108		WATER TANK P190 PEHD BK.	1,00		07/2005	--
0039	MPVR20187		RING NUT M 39 X 3	1,00			--
0040	MPVR89077		TANK COVER P190 PA6 BL.	1,00	07/2005		--
0041	MPVR47819		BRACKET P190 PA6 BK.	2,00			--
0046	MPVR41903		THICKNESS TERM.IM.PA66	1,00			--
0047	MPVR40005		TANK CAP P176 PEHD BL.	1,00			--
0051	LAFN89079		PANEL P190 INX	1,00	07/2005		--
0052	MPVR89078		PLATE P190 PA6 BL.	2,00	07/2005		--
0053	MEVR27264		FUSE-HOLDER 031-1081	1,00			--



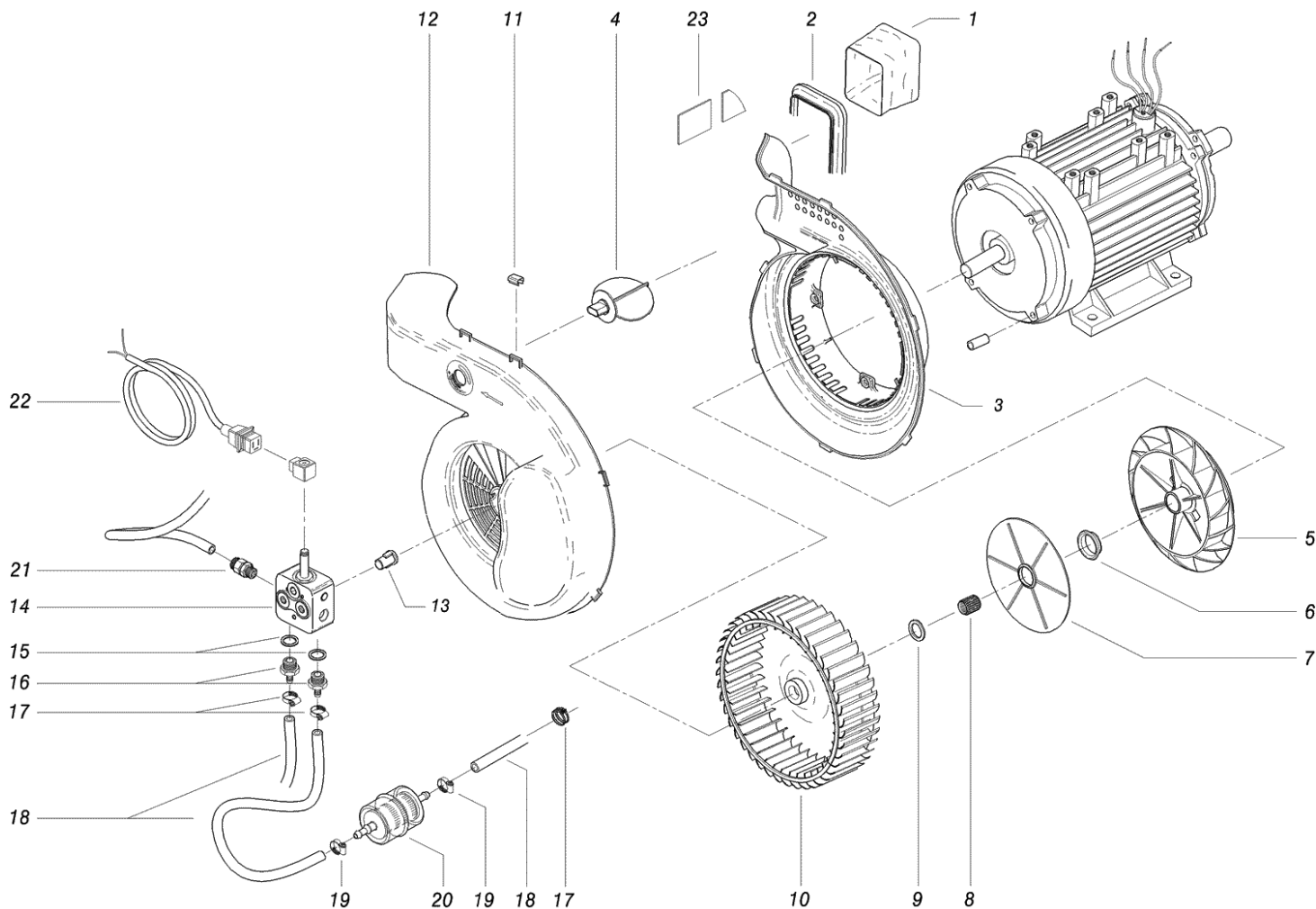
Ref.	K	Part N.	Customer Part N.	Description	Qty	Validity:		Price
						From	To	
0004		FTDT12702		FILTER PA	1,00			--
0005		PVVR11712		RING NUT 1/2 NPT	1,00			--
0006		RCDS49875		RING NUT 1/2" X 6 CH.27 OT.	1,00	12/2003		--
0007		RCVR49974		RING NUT 3/4" X 4 NIK	1,00	12/2003		--
0007		TBBP48636		L.P. HOSE L= 950 3/4F 90°- 1/2M 0°	1,00			--
0007		VTRS00549		WASHER D.21,5X27X1.5 (1/2) RM	1,00			--
0009		RCGR60703		FLOATER MTM 3/4 PP. S/F.	1,00		07/2005	--
0009		RCGR89343		FLOATER MTM 3/4 PP. S/F. +ADP.245	1,00	07/2005		--
0010		TBBP17436		L.P. HOSE D.12-14 RILSAN NT.	0,15		07/2005	--
0011		TBBP00058		L.P. HOSE D. 4- 6	0,25	10/2003		--
0012		FSVR72800		CLAMP D 8.3 - 8.8	1,00			--
0013		MPVR20904		CAP KSM	1,00			--
0013		TBBP00058		L.P. HOSE D. 4- 6	0,35			--
0014		FSVR00431		CLAMP D. 16-25	1,00			--
0015		TBBP48637		L.P. HOSE L= 220 3/4F90°-LIB.	1,00			--
0016		RCDS46142		NIPPLE 3/4 - 1/2 CB D. 6.0	1,00			--
0017		RCDS17206		SLEEVE 1/2 M/F L= 50-65	1,00			--
0018		PPAP40005		PUMP "60" EL1708N SX T.OT.H 03	1,00		01/2007	--
0018		PPAP40008		PUMP GP TC1509N SX OT.H S17UL	1,00	01/2007		--
0019		MOMO40000		1PH MOTOR P190 HP 2 120-60 4P H90	1,00			--
0020		VTDD21787		NUT M28X1.5 L=5	1,00			--
0021		RCDS21788		RING NUT M 28 X 1.5 L=16	1,00			--
0022		PVVR22163		KNOB L=60 V.INT.	1,00			--
0024		RCDS43252		CAP M24X1,5 + 1/8F WW1509 OT	1,00			--
0025		MNMN37538		PRESSURE GAUGE 0-160 G1/8M "R" D.40	1,00			--
0026		RCVR02606		REDUCTION 1/2-1/4 M/F	1,00	02/2007		--
0026		RCVR02607		REDUCTION 3/8-1/4 M/F	1,00		01/2006	--
0027		RCDS40582		HOSE FITTING "L" 1/4M - D. 6	1,00	02/2007		--
0027		RCDS40582		HOSE FITTING "L" 1/4M - D. 6	1,00		01/2006	--
0027		RCDS21900		HOSE FITTING 1/8 M D. 3- 7	2,00	01/2006	02/2007	--
0028		TBBP04917		L.P. HOSE D. 6- 9	0,85			--
0028		TBBP04917		L.P. HOSE D. 6- 9	0,50			--
0029		FSVR11957		CLAMP D. 9.5-12 CLIC	2,00			--
0030		RCGR08069		TAP BODY DET. PRT	1,00			--
0031		GUGO08071		O-RING D. 4.48 X 1.78 NBR 70SH	1,00			--
0032		GUGO12183		O-RING D. 23.4 X 3.53 VIT 70SH	1,00			--
0033		RCGR08070		ADJUSTER PRT	1,00			--
0034		VTRS00542		WASHER D.14X20	1,00			--
0035		MLML08068		SPRING D.1,5 L.23	1,00			--



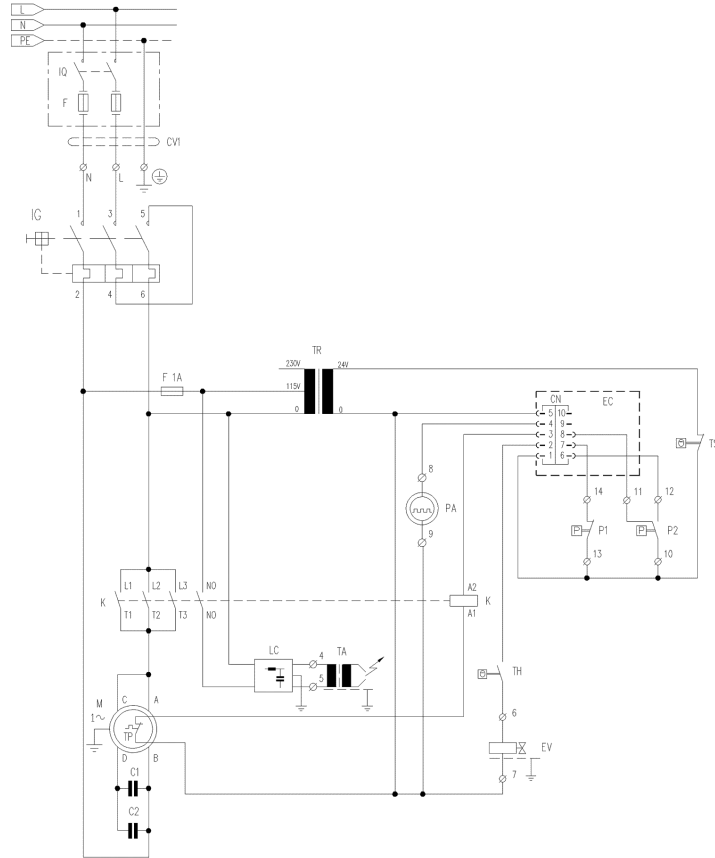
Ref.	K	Part N.	Customer Part N.	Description	Qty	Validity:		Price
						From	To	
0036		RCVR72846		CONNECTOR A T 3/8M 1/4F 3/8M-OT	1,00			--
0037		TBAP48889		HOSE-FITTING 3/ 8 R1 L=650 3/8F90-PM26	1,00		05/2004	--
0037		TBAP87847		HOSE-FITTING 3/ 8 R1 L=650 3/8F90-PM26	1,00	05/2004		--
0038		VVSC39719		VALVE MG 2000 G1/4M 150B MIGNON	1,00		12/2004	--
0038		VVSC89643		VALVE MG 1000 G1/4M-M D.8 200B	1,00	11/2005		--
0038		VVSC47427		VALVE MG 1000 G1/4M-M D.8 250B	1,00	12/2004	11/2005	--
0039		RCDS21118		CONNECTOR KSM	1,00			--
0040		RCDS21119		NUT KSM	1,00			--
0041		RCDS48935		BLOCK 3VIE 3/8-1/4 M14X1.5 F ZC	1,00			--
0042		RCDS13012		NIPPLE M22-3/8 D. 7.5	1,00			--
0043		RCDS00593		SUMP IM 0-120 L=50	1,00	05/2004		--
0044		MLML02623		SPRING IMT	1,00	05/2004		--
0049		GUGO89255		GASKET D. 17.5-24 X 2 EPDM	1,00			--



Ref. K	Part N.	Customer Part N.	Description	Qty	Validity: From	To	Price
0001	GUGO21222		O-RING D. 15.54 X 2.62 VIT 80SH	2,00			--
0002	GUVR21021		ANTI-EXTR.RING D. 21 X17 TEF.	2,00			--
0003	RCDS21120		RING NUT M 26 X 1,5	2,00	07/2003		--
0004	LAFN20108		RING D.298 KSM	1,00	09/2007		--
0004	LAFN20108		RING D.298 KSM	1,00		08/2007	--
0005	VTVR47052		SPLIT PIN "R" D. 2 X 43 ZC	1,00	07/2003		--
0007	LAFN48448		BOILER BOTTOM KSM 2V. ZN	1,00	09/2007		--
0007	LAFN48448		BOILER BOTTOM KSM 2V. ZN	1,00		08/2007	--
0008	LAFN48368		BAND KSM 2V. INX	1,00	09/2007		--
0008	LAFN48368		BAND KSM 2V. INX	1,00		08/2007	--
0009	ITTE48373		BOTTOM KSM C.TE	1,00	09/2007		--
0009	ITTE48373		BOTTOM KSM C.TE	1,00		08/2007	--
0011	LAGR29730		DOUBLE COIL M26X1.5 SLR 26MT GZ.	1,00		08/2007	--
0011	LAFN29731		DOUBLE COIL M26X1.5 SLR 26M	1,00	09/2007		--
0011	LAFN29731		DOUBLE COIL M26X1.5 SLR 26M	1,00		08/2007	--
0012	LAFN29735		INT. CYLINDER SLR INX	1,00	09/2007		--
0012	LAFN29735		INT. CYLINDER SLR INX	1,00		08/2007	--
0013	LAFN40071		EXT. CYLINDER P190 26MT-V176/2 INX.	1,00	09/2007		--
0013	LAFN87616		EXT. CYLINDER P190 26MT-V176 INX.	1,00		08/2007	--
0014	GUVR25775		GASKET D. 105/88 X 3	1,00			--
0015	LAFN20055		NOSEPIECE KSM	1,00			--
0016	LAFN30294		BAFFLE KSM/AGN	1,00			--
0017	UGBR18630		BURNER NOZZLE 0.75 45 A	1,00			--
0018	MFVR88612		ELECTR.HOLDER KSM 1/8CN.	1,00	01/2005		--
0019	RCVR08954		ELBOW 1/8"-4 B5	1,00			--
0020	MECA32033		ELECTRODE KSM-MTH L=104 1500M	2,00			--
0021	LAFN20123		PLATE KSM INX	1,00			--
0022	TBCO48642		DIESEL HOSE P190 26MT D. 4	1,00			--
0023	MECB34463		CABLE BT L=800 SP.	1,00			--
0024	MECV35336		CABLE A.T. 9,8-23KOHM/M L= 750P	2,00	09/2003		--
0025	LAFN36603		CHIMNEY EXTENS.KSM H.45 INX	1,00			--
0026	MPVR40042		CONVEYOR P190-176 PA6 BK.	1,00	09/2007		--

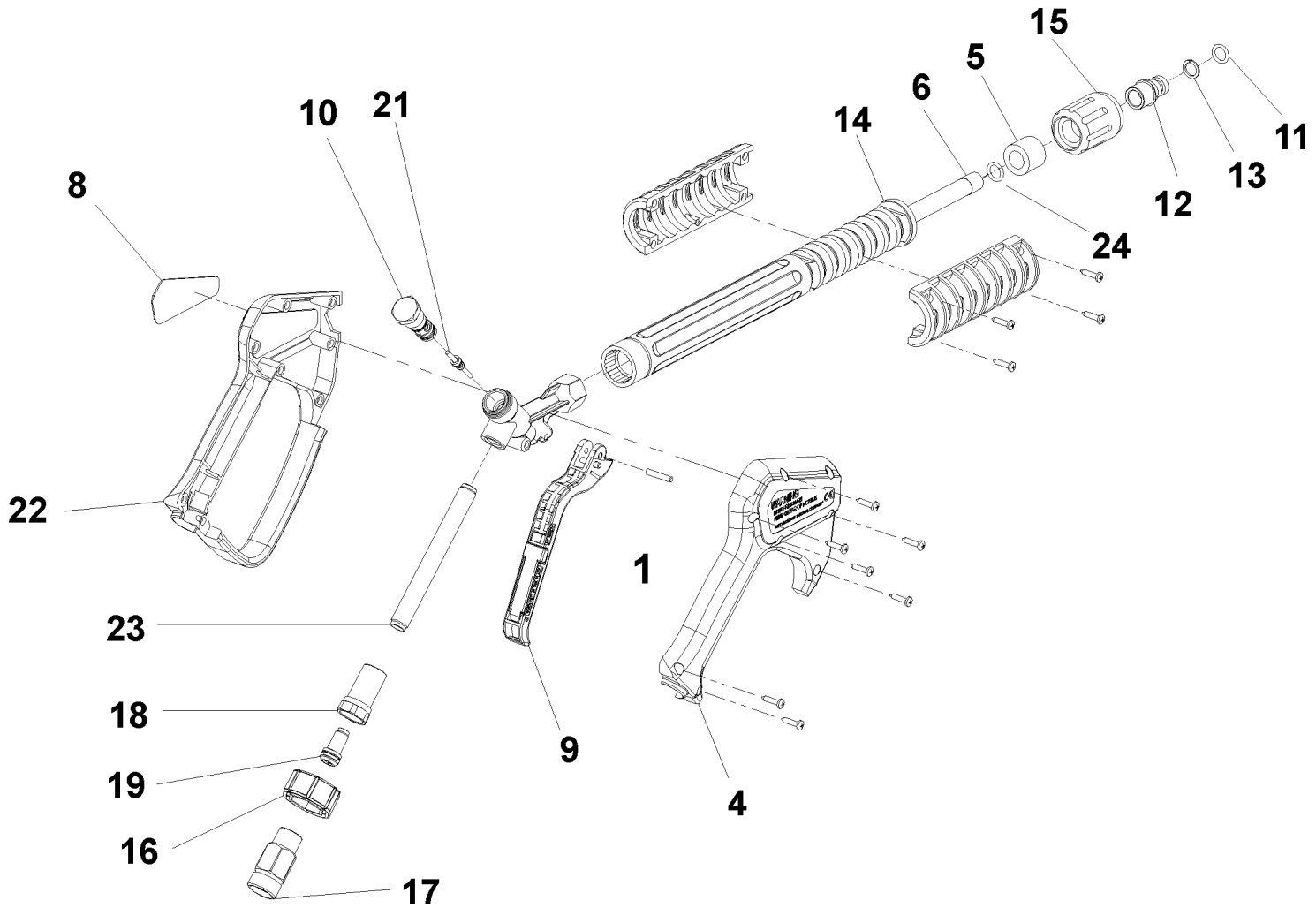


Ref. K	Part N.	Customer Part N.	Description	Qty	Validity:		Price
					From	To	
0001	MPVR44176		SLEEVE P176 H= 50	1,00		08/2007	--
0001	GUGO88425		GASKET P245 EPDM	1,00	09/2007		--
0003	MPVR45488		SCROLL BODY P176 PP	1,00			--
0004	MPVR45445		BUTTERFLY VALVE P176 PP	1,00			--
0005	VEVR45443		MOTOR FAN P176 H 100	1,00			--
0006	LAFN45783		BUSHING D. 30 P176	1,00			--
0007	MPVR45444		SEPARATOR P176 ABS	1,00			--
0008	VTVR45002		BUSHING D. 17-19X19 CPS.	1,00			--
0009	VTRS49164		WASHER D.19 X26 X1 FE	1,00	06/2003		--
0010	VEVR45487		IMPELLER P176 D.240 43P. PA6	1,00		06/2005	--
0010	VEVR88781		IMPELLER P176 D.240 43P. 2V. PA6	1,00	06/2005		--
0011	VTVR20127		CLIP KSM	8,00			--
0012	MPVR48498		VENTILATOR COV.P190-V176 ABS	1,00			--
0013	FGGT36513		JOINT HP 0.25 AACO	1,00			--
0014	FTCO88927		FUEL FILTER S.AL	1,00			--
0014	PPGS88589		FUEL PUMP DLT ALLUM. A2R2	1,00			--
0015	VTRS04931		WASHER COPPER D.13X19X1.5	2,00			--
0016	RCDS00626		HOSE FITTING 1/4 M D. 5- 7	2,00			--
0017	FSVR00427		CLAMP D. 12 CLIC 66-110	3,00			--
0018	TBCO06945		L.P. HOSE D. 6-12 10BAR C.PRESS	0,70	12/2003		--
0018	TBCO06945		L.P. HOSE D. 6-12 10BAR C.PRESS	0,65	12/2003		--
0018	TBCO06945		L.P. HOSE D. 6-12 10BAR C.PRESS	1,40			--
0019	FSVR11197		CLAMP D.I. 11 13315	2,00			--
0020	FTCO10912		FILTER FB 13/TA NYL.	1,00			--
0021	RCVR14014		BI-CONE CONNED.DTT 1/8"M B1 D. 2/ 4 NIK	1,00			--
0022	MECB18118		CABLE DLT L=1.600	1,00			--
0023	ETET49194		LABEL P190 PLC. VTL.	1,00			--

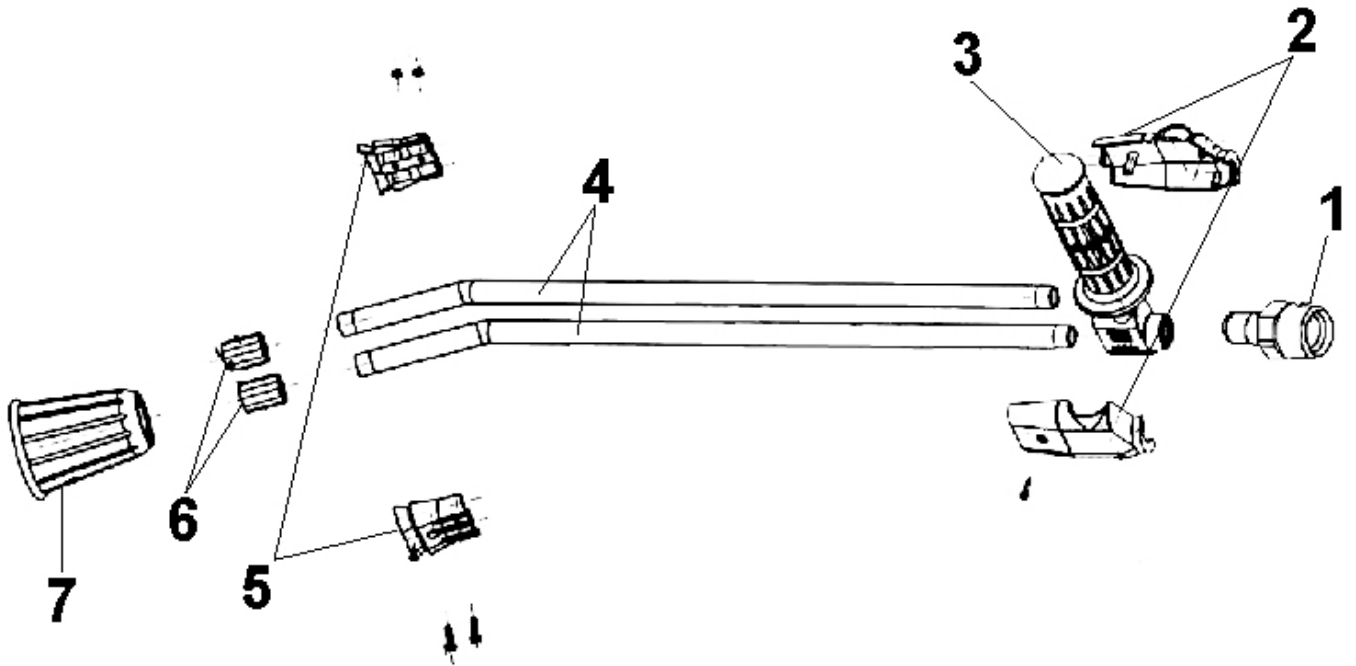


Ref.	K	Part N.	Customer Part N.	Description	Qty	Validity:		Price
						From	To	
F		MEVR02824		FUSE 5X20 1A	1,00			--
K		METT43990		CONTACTOR SIE 3RT 1017 1AB01 5/60HZ	1,00			--
C1		MECO47480		CAPACITOR 60 MF 120V DR 230	1,00		01/2007	--
EC		MECE48580		PCB P190 T-ST/MP V.PLUS	1,00			--
EV		MEBE48504		COIL DLT 24-50 NF84	1,00			--
IG		MECI08296		SWITCH O.K.N. 16-22 A	1,00			--
LC		MECE34831		FILTER LC F.AH.DA.3100ZF 6.5A	1,00			--
P1		MEPF39901		PRESSURE SWITCHMTM 1/4M NA/NC 15B. MICRO	1,00			--
P2		MEPF39741		PRESSURE SWITCHMTM 1/8M NA/NC 25B. MICRO	1,00			--
PA		MEPD25575		DESCALING PUMP NME-1 24V CPL.	1,00			--
TA		METR34826		TRANSFORMER 120V-60HZ 2X4000V SP4 CM	1,00			--
TH		METK19354		THERMOSTAT 0-150° L=1200	1,00			--
TR		METR40632		TRANSFORMER 30VA 115-230V/24V CE	1,00			--
TS		METK49116		THERMOSTAT 65°C TG400 C.1,5 RIPR.	1,00		05/2004	--
CV1		MECB40012		CABLE H07 RNF 3X2.5 L=10.00	1,00			--

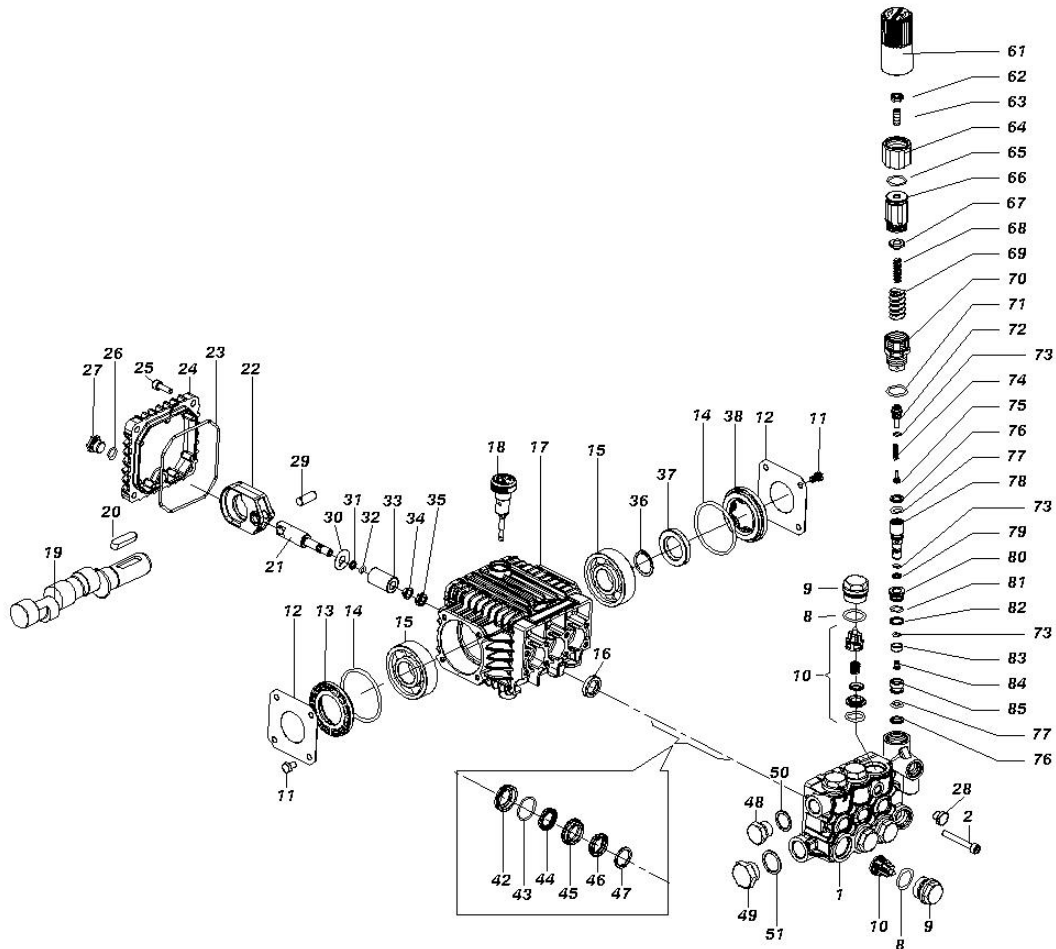




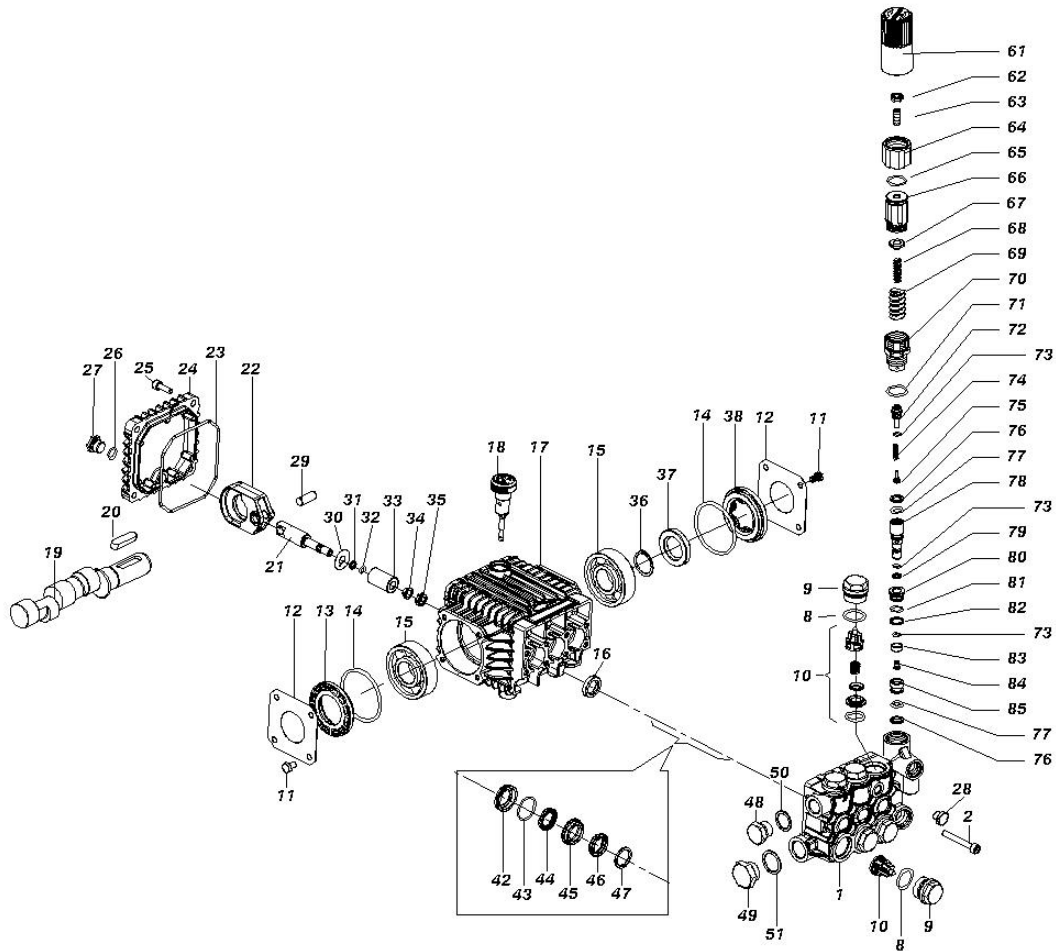
Ref.	K	Part N.	Customer Part N.	Description	Qty	Validity:		Price
						From	To	
0001		VTVR46568		PLUG G 4500	1,00			--
0004		MPVR40157		COVER G 4500 2V.	1,00	05/2008		--
0004		MPVR46563		COVER G 4500	1,00		04/2008	--
0005		MPVR46572		SPACER P 330 ST	1,00			--
0006		LCPR40007		TUBE 1/4 L=352 ZC. 2V.	1,00	05/2008		--
0006		LCPR46571		TUBE 1/4 L=352 ZC.	1,00		04/2008	--
0008		MPVR46569		PLATE G 4500 RD.	1,00			--
0009		MPVR40057		TRIGGER G 4500 -SW	1,00			--
0010		PVVR40030		SMALL PISTON TM ST-2300	1,00			--
0011		GUGO10384		O-RING D. 10 X 2.2 VIT 80SH	1,00			--
0012		RCVR13030		GUDGEON G 1/4 F L=31.5	1,00			--
0013		GUVR10526		ANTI-EXTR.RING D.13.9X10.2 C.BZ	1,00			--
0014		MPVR46570		PROTECTION P 330 ST	1,00			--
0015		PVVR13445		CONNECTION M 22X1,5 L=45	1,00			--
0016		MPVR40058		RING NUT G4500 SW.	1,00			--
0017		RCIN40001		JOINT SWIV 4500 3/8"F	1,00		04/2008	--
0017		RCIN40005		JOINT SWIV 4500 3/8"F 2V.	1,00	05/2008		--
0018		RCIN31641		CONNECTOR SWIV 1500 F	1,00			--
0019		KTRI31645		KIT P 26- 14	1,00			--
0021		PVVR40031		ROD ST-2300	1,00			--
0022		MPVR40156		SHELL G 4500 2V.	1,00	05/2008		--
0022		MPVR46562		SHELL G 4500	1,00		04/2008	--
0023		PVVR40023		TUBE G 1/4" M/M P/SW.	1,00			--
0024		GUGO27021		O-RING D. 11 X 2.5 EPD 70SH	1,00	05/2008		--



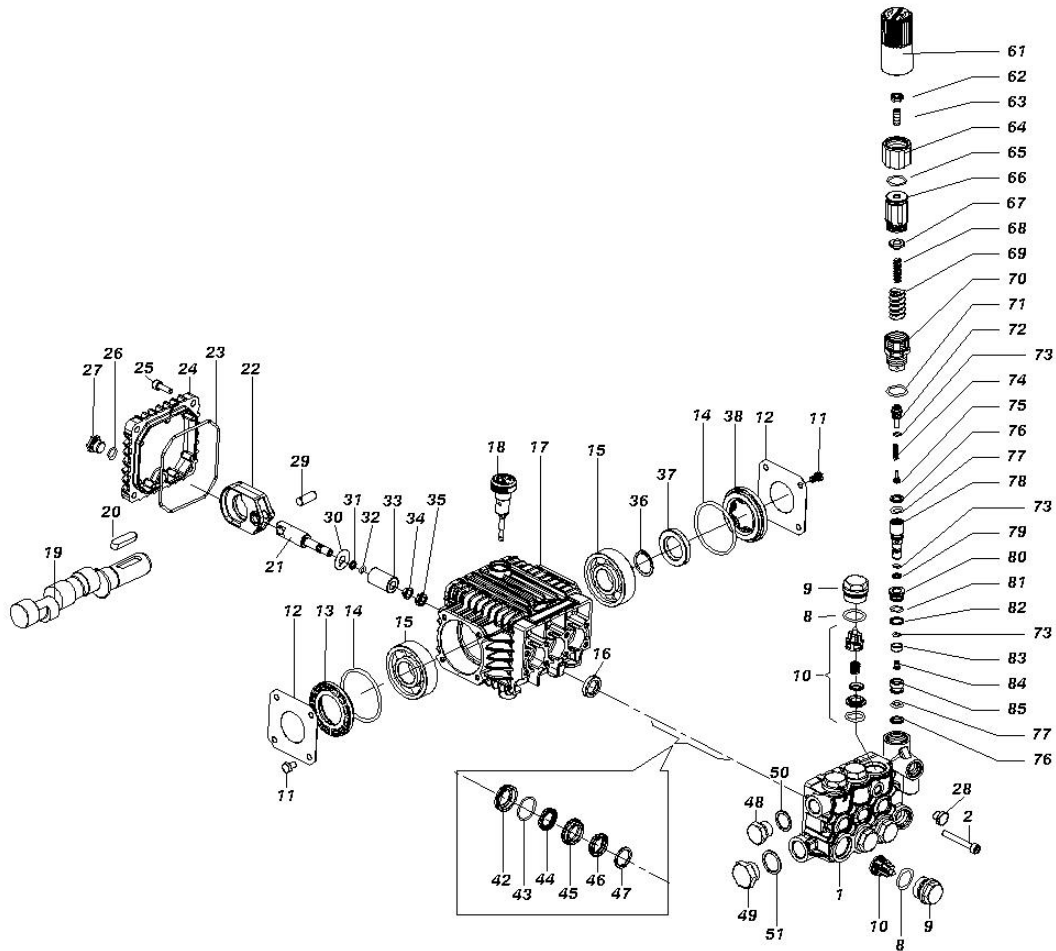
Ref. K	Part N.	Customer Part N.	Description	Qty	Validity:		Price
					From	To	
0001	PVVR45296		COUPLING G 1/4M -M22 M +PR.PLS	1,00			--
0002	MPVR45214		PROTECTION TB.1/4 MTM	1,00			--
0003	RCGR45737		TAP 1/4 F LD MTM	1,00			--
0004	LCPR45740		TUBE 1/8 L=660 INOX MTM	2,00			--
0005	MPVR45001		SHELL LD MTM	1,00			--
0006	RCVR45741		NOZZLE HOLDER 1/4-1/8 F MTM	2,00			--
0007	PVVR43810		PROTECTION L.D. MTM	1,00			--



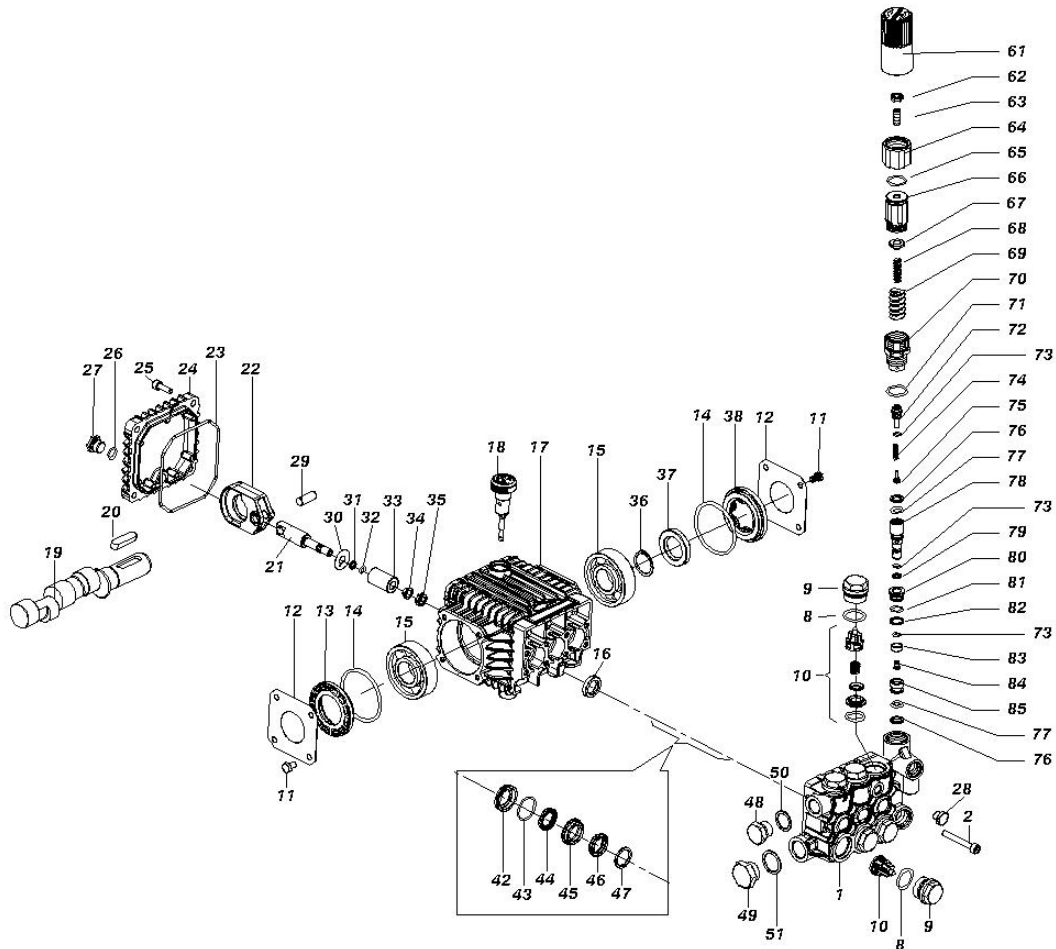
Ref.	K	Part N.	Customer Part N.	Description	Qty	Validity: From To	Price
0001		MFVR89065		HEAD "60" D.18 V.INT.OT	1,00		--
0002		VTVT89060		SCREW TCEI M 6X45 UNI 5931 Z.TP	8,00		--
0008		GUGO01033		O-RING D. 20.24 X 2.62 NBR 90SH	6,00		--
0009		RCDS89046		CAP M24X1.5X13.2 "60"	6,00		--
0010	S	VVAM28467		VALVE UNIT "44" WW136-186	6,00		--
0011		VTVT07952		SCREW TE 8X10	8,00		--
0012		MFVR03562		CRANKCASE COVER W 70	2,00		--
0013		MFVR28454		SPACER "44"	1,00		--
0014		GUGO01040		O-RING D. 55.56 X 3.53 NBR 70SH	2,00		--
0015		CUVR09654		BALL BEARING 6305	2,00		--
0016	S	GUGO09690		OIL SEAL 15X 24X 5 NBR70	3,00		--
0017		MFVR89047		PUMP CRANKCASE "60"	1,00		--
0018		PVVR01089		OIL DIPSTICK W 70	1,00		--
0019		ALMO89048		SHAFT "60" N.C. 9.4 D.24	1,00		--
0020		VTVR09510		KEY 8X7X35	1,00		--
0021		PVVR89050		PISTON GUIDE "60"	3,00		--
0022		BLVR89051		CONNECTING ROD "60"	3,00		--
0023		GUGO41660		O-RING D. 94.92 X 2.62 NBR 70SH	1,00		--
0024		MFVR89052		CRANKCASE COVER "60"	1,00		--
0025		VTVT01115		SCREW TCEI 6X18	4,00		--
0026		GUGO01036		O-RING D. 10.82 X 1.78 NBR 70SH	1,00		--
0027		RCDS01088		CAP 1/4X 9 M WW90	1,00		--
0028		RCDS09704		CAP G 1/8 KR	1,00		--
0029		PVVR89053		GUDGEON D. 9X24,5 "60"	3,00		--
0030		VTRS09320		WASHER D. 9X23X0,5	3,00		--
0031		GUVR10257		ANTI-EXTR.RING WW161	3,00		--
0032		GUGO10464		O-RING D. 5.28 X 1.78 NBR 70SH	3,00		--
0033		PIVR89055		PISTON D.18X30 "60"	3,00		--
0034		VTRS46027		WASHER D. 8 C/CLL.	3,00		--
0035		VTDD04284		NUT M8X1,25 X13X5 S2 INX	3,00		--
0036		VTAE09655		CIRCLIP D. 25 UNI 7435	1,00		--
0037		GUGO01002		OIL SEAL 25X 42X 7 NBR70	1,00		--
0038		MFVR03565		SPACER W 70	1,00		--
0042	S	PVVR89057		PACKING RETAIN.D. 18 "60"	3,00		--
0043	S	GUGO03506		O-RING D. 25.12 X 1.78 NBR 70SH	3,00		--
0044	S	GUVR46029		PACKING D. 18 L.P. "63"	3,00		--
0045	S	PVVR89059		INTERMED. RING D. 18 "60"	3,00		--
0046	S	GUVR47766		PACKING D. 18 "51"	3,00		--
0047	S	PVVR47765		HEAD RING D. 18 "51"	3,00		--



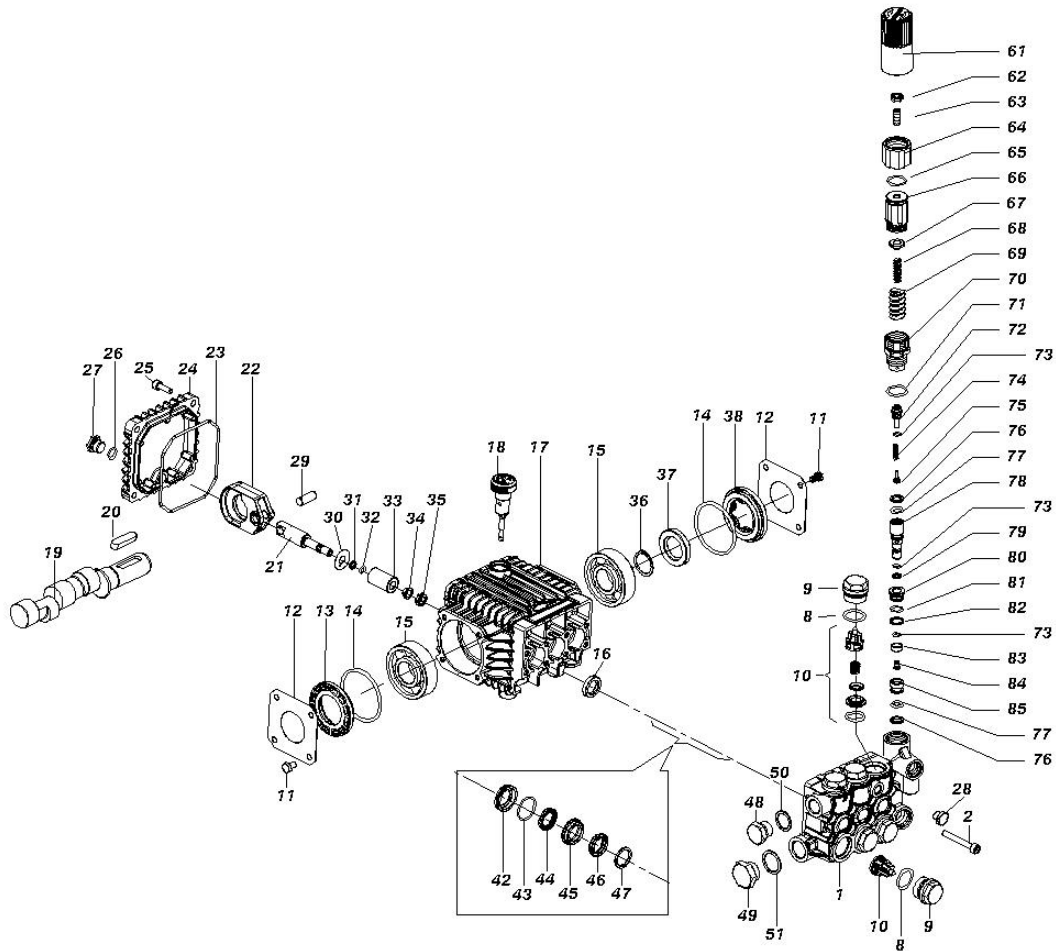
Ref.	K	Part N.	Customer Part N.	Description	Qty	Validity:		Price
						From	To	
0048		RCDS01090		CAP 3/8X13 M WW90	1,00			--
0049		RCDS01091		CAP 1/2X10 M	1,00			--
0050		VTRS01074		WASHER D.17,05X22,3 X1,5	1,00			--
0051		VTRS01075		WASHER D.21,5X27 ALL	1,00			--
0061		PVVR18673		KNOB COLT	1,00			--
0062		VTDD09708		NUT M 8 UNI 5589	1,00			--
0063		VTVT20196		SCREW EI-ST 8X20 UNI5923	1,00			--
0064		PVVR89061		RING NUT M 28X1.5 "H"	1,00			--
0065		GUGO01057		O-RING D. 20.35 X 1.78 NBR 70SH	1,00			--
0066		PVVR18672		REGISTER COLT	1,00			--
0067		PVVR11656		SPRING PLATE W1	1,00			--
0068		MLML28477		SPRING D. 7.6 X29 "44"	1,00			--
0069		MLML89062		SPRING D.15X35 "H" TP.	1,00			--
0070	S	PVVR18671		BUSHING COLT	1,00			--
0071	S	GUGO19395		O-RING D. 20.24 X 2.62 NBR 70SH	1,00			--
0072	S	PVVR18670		LIMIT SWITCH COLT	1,00			--
0073	S	GUGO03497		O-RING D. 6.75 X 1.78 VIT 80SH	3,00			--
0074	S	MLML20195		SPRING D. 6.1X19	1,00			--
0075	S	PVVR89063		COUPLING V.INT. "H"	1,00			--
0076	S	GUVR11651		ANTI-EXTR.RING D. 10.6X15X2	2,00			--
0077	S	GUGO03501		O-RING D. 9.92 X 2.62 VIT 70SH	2,00			--
0078	S	PVVR18669		CONTROL PISTON COLT	1,00			--
0079	S	GUVR04309		ANTI-EXTR.RING HM	1,00			--
0080	S	PVVR11653		VALVE GUIDE CONTROL SET W1	1,00			--
0081	S	GUGO11652		O-RING D. 12.42 X 1.78 NBR 70SH	1,00			--
0082	S	GUVR11650		ANTI-EXTR.RING CONTROL SET W1	1,00			--
0083	S	PVVR18668		VALVE CLT	1,00			--
0084	S	VTVT18667		SCREW M 5X0,8X7,5	1,00			--
0085	S	PVVR12887		VALVE SEAT CONTROL SET W1	1,00			--



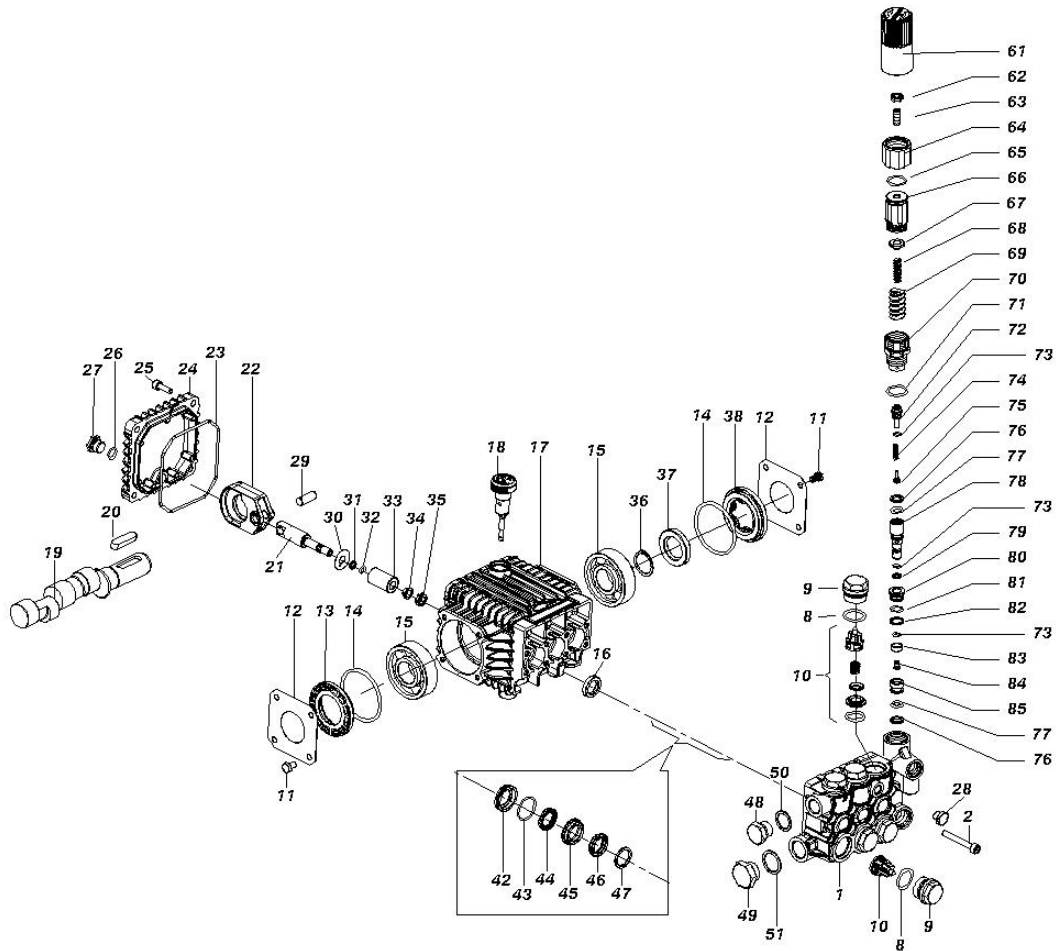
Ref. Part N.	Cust. Part N.	Description	Reference	Price
KTRI18651	KIT P	83	0016	--
KTRI18655	KIT P	102	0070 0071 0072 0073 0074 0075 0076 0077 0078 0079 0080 0081 0082 0083 0084 0085	--
KTRI28508	KIT P	15-123	0010	--
KTRI89070	KIT P	15-197 D.18	0044 0046 0047	--
KTRI89071	KIT P	15-199 D.18 "60"	0045	--
KTRI89072	KIT P	15-225 D.18 "60"	0042 0043	--
KTRI89073	KIT P	15-227 D.18 "60"	0042 0043 0044 0045 0046 0047	--



Ref.	K	Part N.	Customer Part N.	Description	Qty	Validity: From To	Price
0001		MFVR89065		HEAD "60" D.18 V.INT.OT	1,00		--
0002		VTVT89060		SCREW TCEI M 6X45 UNI 5931 Z.TP	8,00		--
0008		GUGO01033		O-RING D. 20.24 X 2.62 NBR 90SH	6,00		--
0009		RCDS89046		CAP M24X1.5X13.2 "60"	6,00		--
0010	S	VVAM28467		VALVE UNIT "44" WW136-186	6,00		--
0011		VTVT07952		SCREW TE 8X10	8,00		--
0012		MFVR03562		CRANKCASE COVER W 70	2,00		--
0013		MFVR28454		SPACER "44"	1,00		--
0014		GUGO01040		O-RING D. 55.56 X 3.53 NBR 70SH	2,00		--
0015		CUVR09654		BALL BEARING 6305	2,00		--
0016	S	GUGO09690		OIL SEAL 15X 24X 5 NBR70	3,00		--
0017		MFVR89047		PUMP CRANKCASE "60"	1,00		--
0018		PVVR01089		OIL DIPSTICK W 70	1,00		--
0019		ALMO89048		SHAFT "60" N.C. 9.4 D.24	1,00		--
0020		VTVR09510		KEY 8X7X35	1,00		--
0021		PVVR89050		PISTON GUIDE "60"	3,00		--
0022		BLVR89051		CONNECTING ROD "60"	3,00		--
0023		GUGO41660		O-RING D. 94.92 X 2.62 NBR 70SH	1,00		--
0024		MFVR89052		CRANKCASE COVER "60"	1,00		--
0025		VTVT01115		SCREW TCEI 6X18	4,00		--
0026		GUGO01036		O-RING D. 10.82 X 1.78 NBR 70SH	1,00		--
0027		RCDS01088		CAP 1/4X 9 M WW90	1,00		--
0028		RCDS09704		CAP G 1/8 KR	1,00		--
0029		PVVR89053		GUDGEON D. 9X24,5 "60"	3,00		--
0030		VTRS09320		WASHER D. 9X23X0,5	3,00		--
0031		GUVR10257		ANTI-EXTR.RING WW161	3,00		--
0032		GUGO10464		O-RING D. 5.28 X 1.78 NBR 70SH	3,00		--
0033		PIVR89055		PISTON D.18X30 "60"	3,00		--
0034		VTRS46027		WASHER D. 8 C/CLL.	3,00		--
0035		VTDD04284		NUT M8X1,25 X13X5 S2 INX	3,00		--
0036		VTAE09655		CIRCLIP D. 25 UNI 7435	1,00		--
0037		GUGO01002		OIL SEAL 25X 42X 7 NBR70	1,00		--
0038		MFVR03565		SPACER W 70	1,00		--
0042	S	PVVR89057		PACKING RETAIN.D. 18 "60"	3,00		--
0043	S	GUGO03506		O-RING D. 25.12 X 1.78 NBR 70SH	3,00		--
0044	S	GUVR46029		PACKING D. 18 L.P. "63"	3,00		--
0045	S	PVVR89059		INTERMED. RING D. 18 "60"	3,00		--
0046	S	GUVR47766		PACKING D. 18 "51"	3,00		--
0047	S	PVVR47765		HEAD RING D. 18 "51"	3,00		--



Ref.	K	Part N.	Customer Part N.	Description	Qty	Validity:		Price
						From	To	
0048		RCDS01090		CAP 3/8X13 M WW90	1,00			--
0049		RCDS01091		CAP 1/2X10 M	1,00			--
0050		VTRS01074		WASHER D.17,05X22,3 X1,5	1,00			--
0051		VTRS01075		WASHER D.21,5X27 ALL	1,00			--
0061		PVVR18673		KNOB COLT	1,00			--
0062		VTDD09708		NUT M 8 UNI 5589	1,00			--
0063		VTVT20196		SCREW EI-ST 8X20 UNI5923	1,00			--
0064		PVVR89061		RING NUT M 28X1.5 "H"	1,00			--
0065		GUGO01057		O-RING D. 20.35 X 1.78 NBR 70SH	1,00			--
0066		PVVR18672		REGISTER COLT	1,00			--
0067		PVVR11656		SPRING PLATE W1	1,00			--
0068		MLML28477		SPRING D. 7.6 X29 "44"	1,00			--
0069		MLML89062		SPRING D.15X35 "H" TP.	1,00			--
0070	S	PVVR18671		BUSHING COLT	1,00			--
0071	S	GUGO19395		O-RING D. 20.24 X 2.62 NBR 70SH	1,00			--
0072	S	PVVR18670		LIMIT SWITCH COLT	1,00			--
0073	S	GUGO03497		O-RING D. 6.75 X 1.78 VIT 80SH	3,00			--
0074	S	MLML20195		SPRING D. 6.1X19	1,00			--
0075	S	PVVR89063		COUPLING V.INT. "H"	1,00			--
0076	S	GUVR11651		ANTI-EXTR.RING D. 10.6X15X2	2,00			--
0077	S	GUGO03501		O-RING D. 9.92 X 2.62 VIT 70SH	2,00			--
0078	S	PVVR18669		CONTROL PISTON COLT	1,00			--
0079	S	GUVR04309		ANTI-EXTR.RING HM	1,00			--
0080	S	PVVR11653		VALVE GUIDE CONTROL SET W1	1,00			--
0081	S	GUGO11652		O-RING D. 12.42 X 1.78 NBR 70SH	1,00			--
0082	S	GUVR11650		ANTI-EXTR.RING CONTROL SET W1	1,00			--
0083	S	PVVR18668		VALVE CLT	1,00			--
0084	S	VTVT18667		SCREW M 5X0,8X7,5	1,00			--
0085	S	PVVR12887		VALVE SEAT CONTROL SET W1	1,00			--



Ref. Part N.	Cust. Part N.	Description	Reference	Price
KTRI18651	KIT P	83	0016	--
KTRI18655	KIT P	102	0070 0071 0072 0073 0074 0075 0076 0077 0078 0079 0080 0081 0082 0083 0084 0085	--
KTRI28508	KIT P	15-123	0010	--
KTRI89070	KIT P	15-197 D.18	0044 0046 0047	--
KTRI89071	KIT P	15-199 D.18 "60"	0045	--
KTRI89072	KIT P	15-225 D.18 "60"	0042 0043	--
KTRI89073	KIT P	15-227 D.18 "60"	0042 0043 0044 0045 0046 0047	--