

D2500

ORDER #85505

Carpet Dryer 2500 CFM

FEATURES

- Three Speed Settings
- 1/2 Horsepower Motor
- 30' Power Cord

The Betco Carpet Dryer offers three speed settings and creates 2500 CFM's to help reduce dry time.

WARRANTY

This unit is covered for 1 Year*.

*Please refer to Betco Equipment Price/Product Guide for complete equipment warranty information.



SPECIFICATIONS

- Motor: 1/2 Horsepower
- Volts: 115 AC
- Amps: 3 amps
- Cord: 30' 16/3 Gauge
- Weight: 35 lbs.

APPLICATIONS

- Carpet Cleaning

Authorized Betco Distributor:

Better Solutions Come From...

BETCO®

1001 Brown Avenue • P.O. Box 3127 • Toledo, Ohio 43607-0127
©All Rights Reserved 6/98 • Reorder #85505

BETCO BETTER SOLUTIONS

THE TOTAL SOLUTION FOR BUILDING SERVICE CONTRACTORS.

Betco is now the only manufacturer with a complete line for BSC's.



Complete Floor Machine, Vacuum and Scrubber Line.



Complete Carpet Care Program.



Complete Training Programs.



Complete chemical programs, cleaners, floor care and specialties.



Complete Hand Cleaner Line.



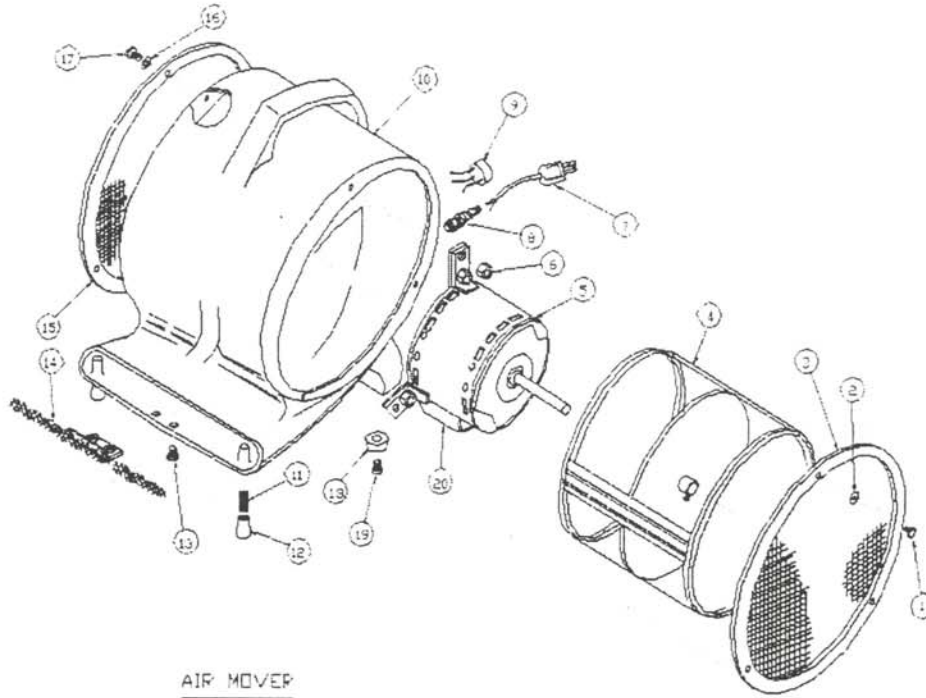
Nationwide Support.

Let Betco be your single source manufacturer.

Better Solutions Come From...



AIR MOVER EXPLODED DRAWING, SCHEMATIC, AND PARTS LIST



D2500

Betco D2500 # 85505

Item	Betco Part#	Description	Item	Betco Part#	Description
1	#	#8-3/4" Phillips Head Screw	13	#	1/4-20 x 1-1/2" Bolt
2	#	#8 Washer	14	85662	130028 Cat Guard Front Screen
3	85661	113001 3 Hole Side Screen Fan Side	15	85667	130052 3 Hole Side Screen -Motor Side
4	85660	114001 Squirrel Cage Fan	16	#	1/4" Washer
5	85537	104004 Motor 115 Volt	17	#	1/2-20 x 1-1/2" Bolt
6	#	1/4-20 Nut	18	85665	112005 Rubber Foot
7	85561	103046 18/3 30' Power Cable	19	#	#8 x 1/2" Screw
8	85563	103026 Cord Restaint	20	85668	103006 Capacitor
9	85573	103056 Rotary Switch 3 Position	21	85669	Cord Wrap Bracket
10	85666	106008 Plastic Body Housing	22	#	101093 #8 Black Nylon Washer
11	85663	130093 Adjusting Rod	23	#	101039 #8 Phil. OV T S BLK Oxide Screw
12	85664	112027 Rubber Tip for Adj. Rod			

Betco Equipment Division

D2500 AIR MOVER USER MANUAL

The D2500 Air Mover is a three speed unit designed to deliver up to 2500 CFM of air to the surface of the carpet to speed drying time. The housing is made of rotationally molded polyethylene. The front two legs are adjustable so that the angle of the airflow can be adjusted to meet your specific needs. This air mover has a 1/2 horsepower motor with a 3 amp current draw. This unit also comes equipped with a 30 foot 18-3 power cable so that larger areas can be covered without relocating the plug. Additionally all electrical components are UL listed.

INSPECTION:

Upon receipt of your air mover, check the carton for any signs of damage that may have occurred during shipping. After unpacking, carefully examine the unit for signs of hidden damage that may have been incurred while in transit. Please note that your unit was operated and thoroughly inspected before packing. Any damage is, therefore the responsibility of the freight carrier and should be reported to the freight carrier immediately. Save all packing materials, as these may be necessary for any claims settlements.

BEFORE YOU BEGIN:

Before using your D2500 Air Mover for the first time, please note the following information:

- 1) The D2500 Air Mover is designed to be used with standard 115-120 volt, 15 amp circuits. Check the serial plate on the side of the unit to confirm the correct electrical rating.
- 2) Always use the D2500 Air Mover with a grounded electrical outlet to avoid the potential of electrical shock. For maximum protection, use a circuit that is protected by a ground fault circuit interrupter. In addition, this unit is designed for indoor use only. Do not operate outdoors. **DO NOT IMMERSE IN WATER AS THIS WILL VOID YOUR WARRANTY.**
- 3) The D2500 Air Mover comes equipped with a 18/3 30 foot power cord, which is sufficient for most applications. If it becomes necessary to use an extension cord, it should be a three conductor grounded cord with a 12/3 minimum rating.
- 4) To avoid the possibility of electric shock or injury, always remove the power cord from the electrical outlet before attempting any regular maintenance or repairs.
- 5) To avoid damage to the power cord, which could lead to the possibility of electrical shock, **NEVER** place the unit on the power cord. Always lift the power cord over the unit.
- 6) **NEVER** try to move the unit by pulling on the power cord. Always lift by the handle.
- 7) **NEVER** use the Air Mover as a step or a piece of furniture.
- 8) **NEVER** use the Air Mover in areas where there is a volatile atmosphere, such as near flammable liquids, fuels, solvents or grain dust, as this can lead to an explosion and possible injury.
- 9) Always maintain the Air Mover regularly as is recommended in the section "MAINTENANCE".
- 10) If any questions arise concerning the use, maintenance or repair of the Air Mover, contact your distributor for more information.

OPERATING INSTRUCTIONS:

To use the D2500 Air Mover, simply locate it at one end of the area to be dried, plug it in and turn it on. The unit should be moved from time to time so that the air flow can be directed to areas that are not completely dried. This process is repeated until the entire area that had been cleaned is dry.

MAINTENANCE:

- 1) Before each use, inspect the screen guards on the sides of the Air Mover. Any accumulation of dust, lint or other debris should be removed, as this will restrict the air flow and could possibly damage your unit.
- 2) Regularly inspect the power cord for cracks, fraying or other damage. If any damage is found, the power cord should be replaced before the unit is used.
- 3) Regularly wipe down the housing with an all purpose cleaner.

IF PROBLEMS OCCUR, WHAT TO DO:

Though your D2500 Air Mover has been engineered and manufactured to rigorous standards to make it as trouble free as possible, difficulties will sometimes arise. Many of these can be corrected by the user. Listed below are some of the more common situations, along with suggested solutions.

PROBLEM	WHAT TO DO
A) Unit does not operate	<ol style="list-style-type: none">1) Unit is not plugged in.2) Building circuit breaker is tripped; reset breaker.3) Power cord is defective. Replace power cord.4) Switch is defective. Replace switch.5) Motor is defective. Replace motor.
B) Unit operates but runs slowly	<ol style="list-style-type: none">1) Motor bearings or windings are defective. Replace motor.2) Motor capacitor wires are loose or capacitor is defective. Check wires. Replace capacitor if necessary.
C) Unit does not operate at all speeds.	<ol style="list-style-type: none">1) Switch is defective. Replace switch.2) Motor capacitor is defective. Replace capacitor.
D) Unit vibrates badly at one or all speeds	<ol style="list-style-type: none">1) Fan cage is defective or damaged. Replace fan cage.2) Motor bearings are defective. Replace motor.