

Foreman™ 1500 RPM Dust Control Burnisher

Item #85000-00

**Operator's Manual
Parts Schematic**



- Chemicals*
- Equipment*
- Programs*
- Process*

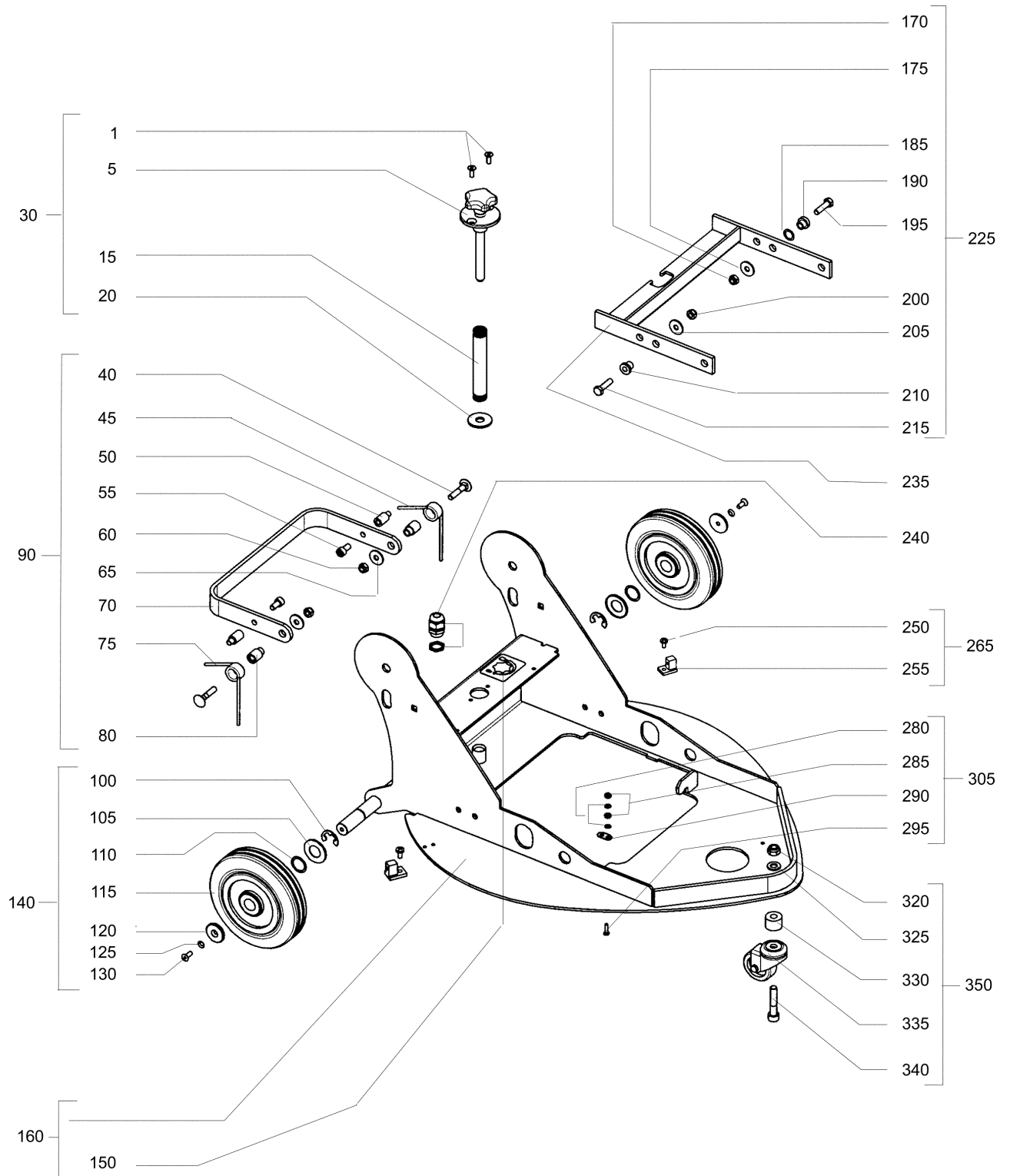


EU 510

2 - 500

Ser. No. 2 000 250

S 1 v. 4



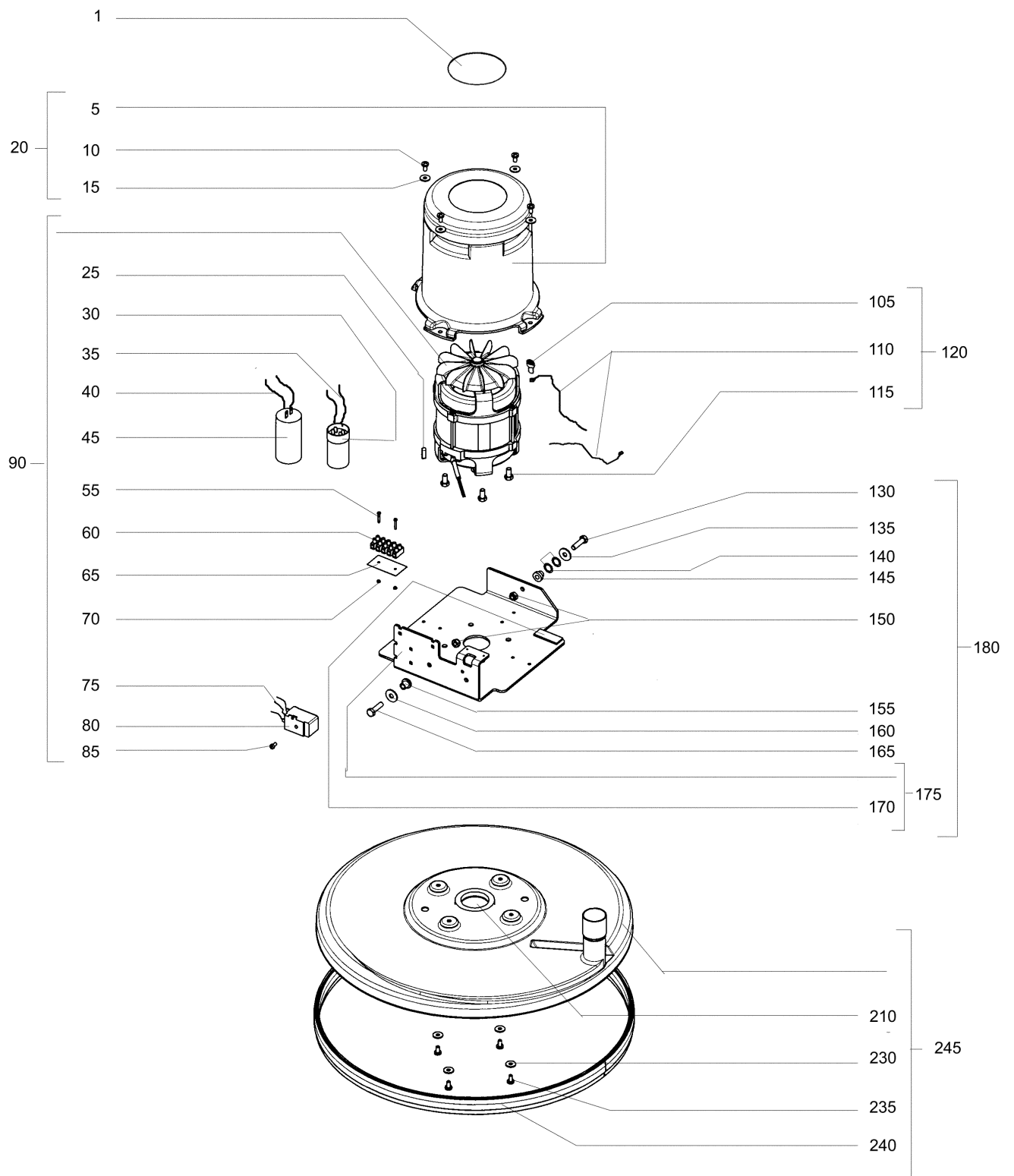
Betco 2- 500				CHASSIS		Betco 2- 500			
S. 2 v.4						S. 2 v.4			
Ser. - Nr. 2 000 330						Ser. - Nr. 2 000 330			
Dat. : 05 - 04						Dat. : 05 - 04			
Dat. : 02 -04						Dat. : 02 -04			
View	Betco SKU	Ref.No	Qty.	Description	View	Betco SKU	Ref.No	Qty.	Description
1		035400	2	Countersunk M 6x16	185		163500	1	Distance washer bearing
5		608112	1	Adjusting screw	190		608053	1	Bush
					195		299500	1	Hexagon screw M8x30
15		608221	1	Spring	200		299800	1	Hexagon nut M8
		608235	1	Spring	205		300000	1	Washer 8,4
20		076300	1	Washer A13	210		608189	1	Bush, movable bearing
					215		299500	1	Hexagon screw M8x30
		608140	1	Kit f.locking screw					
K 30	82861	606318	1	Kit f.locking screw	K 225	82878	608143	2	Fork fastening kit
40		608136	2	Saucer-head screw	235		608077	1	Fork, galvanized
45		608076	1	Spring					
50		608220	2	Ratchet bar	240		608144	1	Screw fastening PG11
55		602560	2	Cylinder screw M 8x16					
60		299800	2	Hexagon nut M8	250		601589	2	Screw M6 x 12, galv.
65		300000	2	Washer 8,4	255		608071	2	Bloc
70		608106	1	Pedal hoop, covered					
75		608075	1	Spring	K 265	82879	608145	2	Kit of blocs
80		608056	2	Bush					
K 90	82876	608141	2	Pedal fastening kit	280		102800	2	Lock washer A 4,3
				w/o pos.60	285		053500	2	Hexagon nut M4
100		073500	2	Securing disc 15	290		082600	1	Cylinder screw M4 x 10
105		167900	2	Joint disk	295		601639	1	Screw M 4x16, galv.
110		608222	2	Distance washer bearing					
115		608072	2	Wheel D=160	K 305	82870	606344	1	Earthing - set
120		270200	2	Transmission disk					
125		160400	2	Toothed disk 6,4					
130		035400	2	Countersunk M6 x 16	320		600137	1	Hexagon nut M10
					325		602212	1	Washer 10,5
K 140	82877	608142	2	Wheel fastening kit					
					330		608055	1	Distance bush
150		608063	1	Foil, pressure adjustment	335		608100	1	Guide roll cpl.
		608114	1	Base plate with foil	340		234500	1	Cylinder screw M 10x35
K 160	82887	608175	1	Base plate with foil	K 350	82873	608115	1	Guide roll cpl.
		606316	1	Base plate with foil					
170		299800	1	Hexagon nut M8					
175		300000	1	Washer 8,4					

EU 510

2 - 501

Ser. No. 2 000 330

S. 1 v. 3



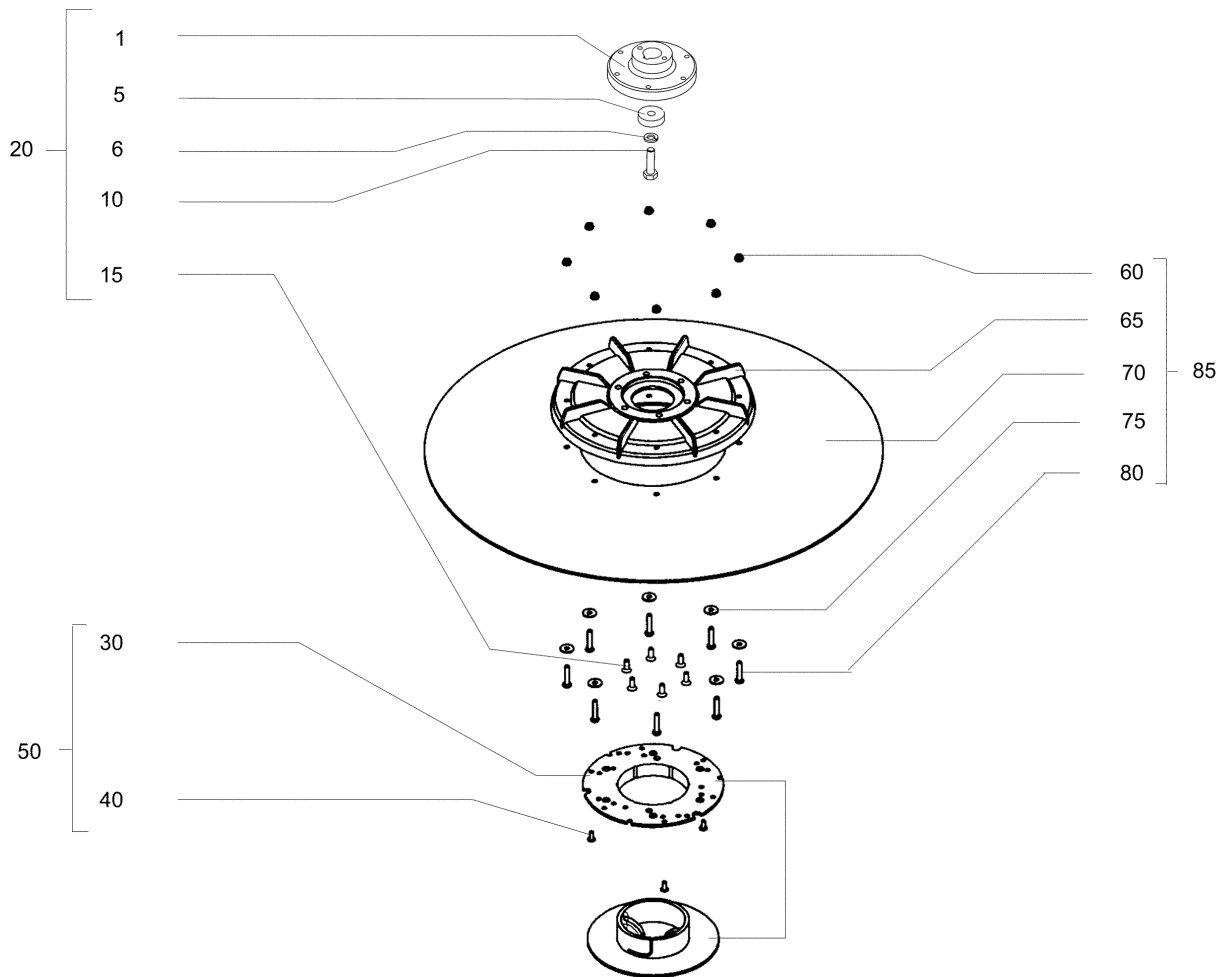
View	Betco SKU	Ref.No	Qty.	Description
		Betco 2 - 501		DRIVE
		S. 2 v.3		
		Ser. - No. 2 000 330		
		Dat. : 05 - 04		
		Dat. : 02 - 04		
1		608110	1	Name plate
5		608086	1	Motor cover
10		601589	4	Screw M6 x 12, galv.
15		602395	4	Washer 6,4
K 20	82880	608146	1	Motor cover kit
25		256600	1	Feather key 6x6x22
30	82890	608095	1	Capacitor 80 mF
	82889	608236	1	Capacitor 300 mF
35		260125	1	Set of strands
40		260127	1	Set of strands
45		608096	1	Capacitor 32 mF
		608237	1	Capacitor 25 mF
55		602731	2	Flat head screw M3 x20
60		281200	1	Connection
65		608068	1	Insulation
70		048300	2	Hexagon nut M 3
75		260126	1	Set of strands
80		608094	1	Relais
	82891	608246	1	Relais
85		608134	1	Flat head screw M5x8
		608147	1	Motor cpl. Kit
		606336	1	Motor cpl. Kit
K 90	82862	606319	1	Motor cpl. Kit
105		070400	1	Cylinder screw M 4x10
110		608108	2	Strand ; Carthing
115		274300	4	Countersunk M6 x 16
K 120	82869	606343	1	Earthing wire , motor
130		299500	1	Countersunk M 8x30
135		300000	1	Washer 8,4
140		163500	2	Distance washer bearing
145		608053	1	Bush
150		299800	2	Hexagon nut M8
155		608189	1	Bush , movable bearing
160		30000	1	Washer 8,4
165		299500	1	Countersunk M 8x30
170		601737	1	Rubber plate 50x20x3
175		608117	1	Motor plate cpl.
K 180	82881	608148	1	Motorplate w. fast.kit
210		333700	1	Joint ring
230		602395	4	Washer 6,4
235		601589	4	Screw M6 x 12, galv.
240		608066	1	Flex brush
K 245	82874	608118	1	Suction bell cpl.

EU 510

2 - 502

From Serial No. 2000416

S. 1 v. 2



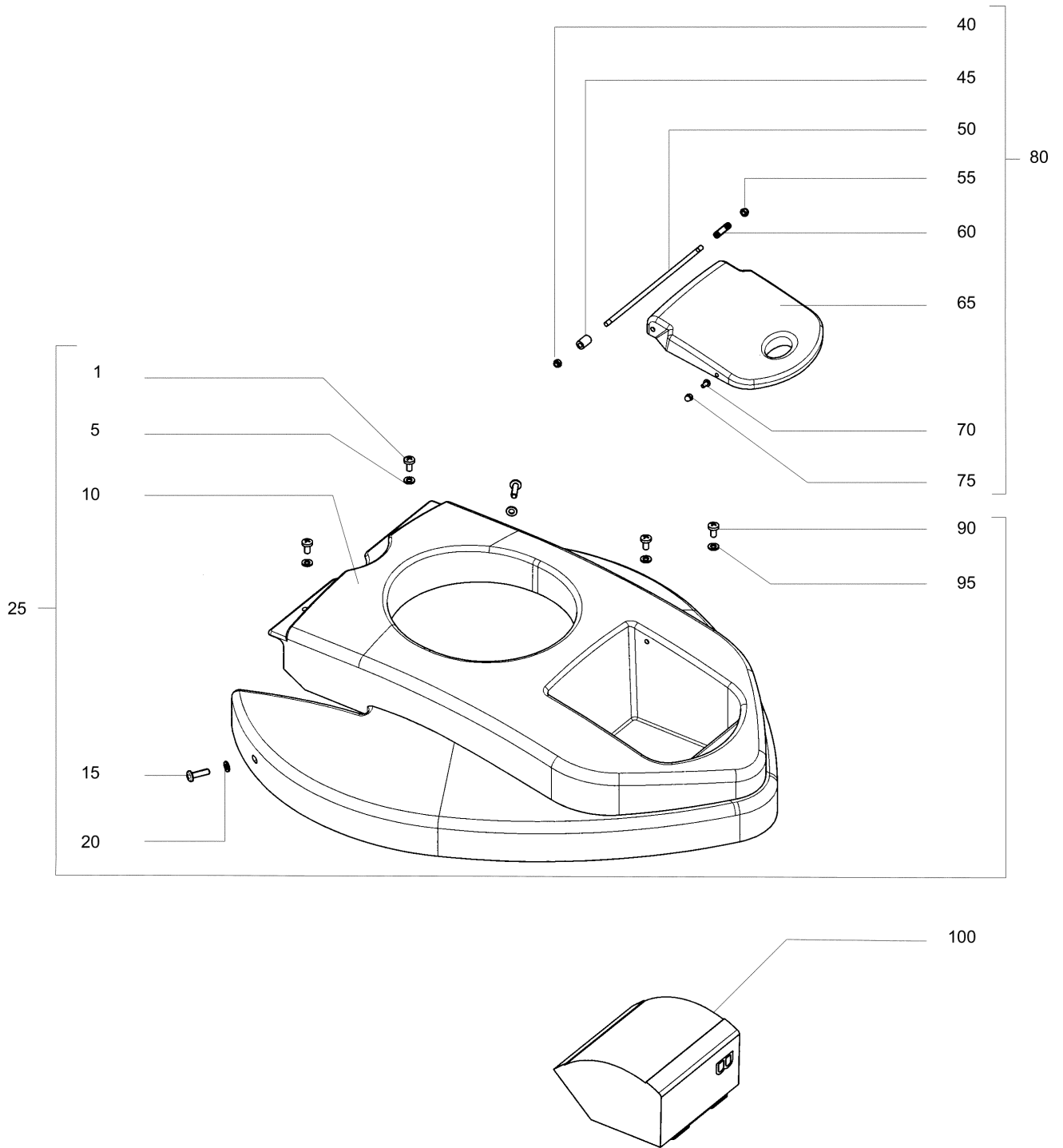
		Betco 2 - 502		DRIVE PLATE
		S. 2 v.2		
		Ser. - No. 2000416		
		Dat. : 01 - 04		
		Dat. : 08 - 02		
View	Betco SKU	Ref.No	Qty.	Description
1		608059	1	Flange
5		320100	1	Washer
6		236200	1	Spring washer 8
10		299500	1	Countersunk M8 x 30
15		035400	6	Countersunk M6 x 16
K 20	82882	608149	1	Kit flange fastening
30	82859	608097	1	Pad centring device, upper part
40		603359	3	Screw KB 40x10, galvanized
K 50	82875	608123	1	Pad centring cpl.
60		600138	8	Hexagon nut M5, galv.
65		608088	1	Serrated lock washer f. flange
70		608089	1	Drive plate
75		346100	8	Washer 5,3
80		608132	8	Screw M 5x25
K 85	82886	608163	1	Drive plate cpl.

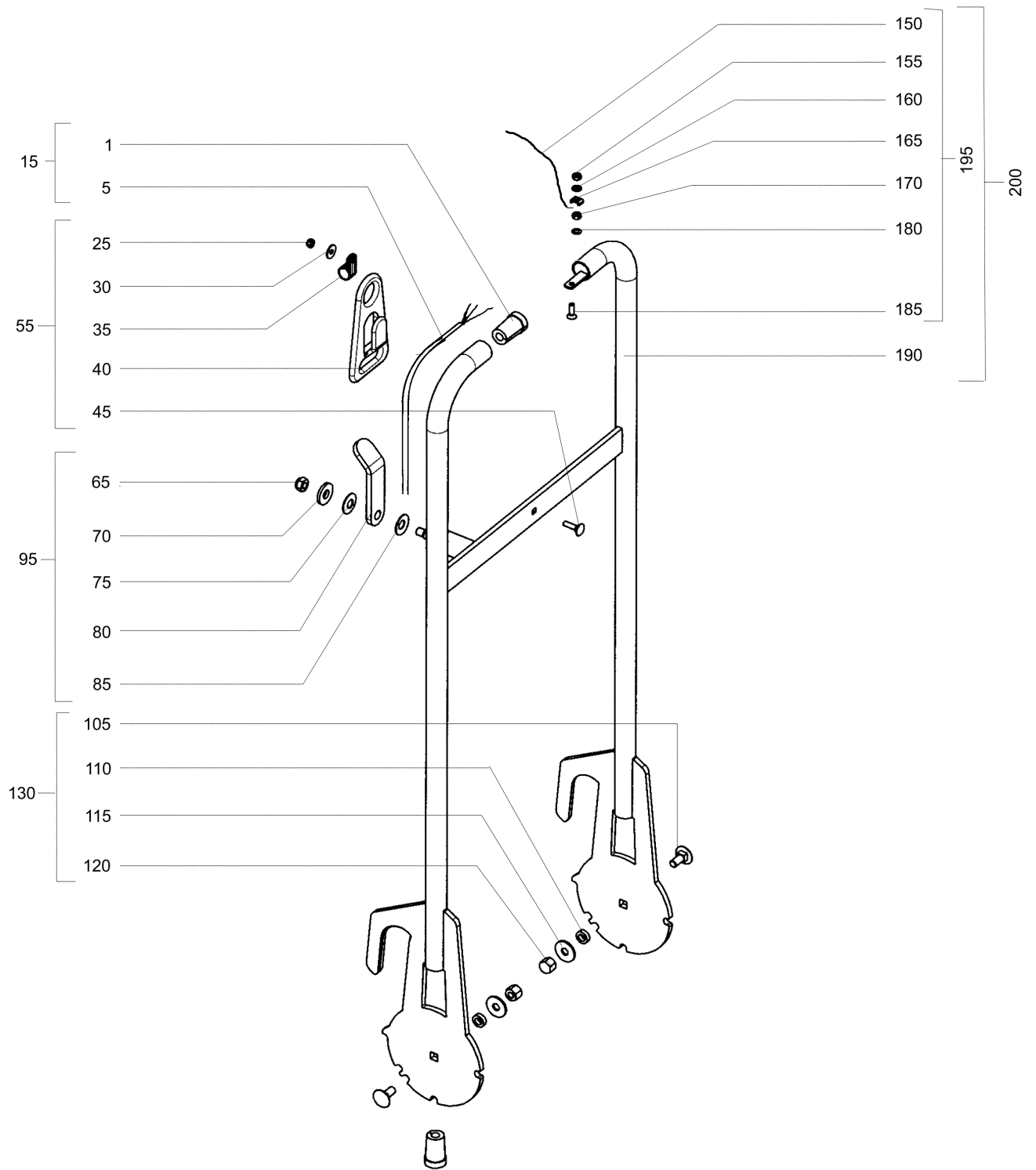
EU 510

2 - 503

From Serial No. 2000001

S. 1 v. 2





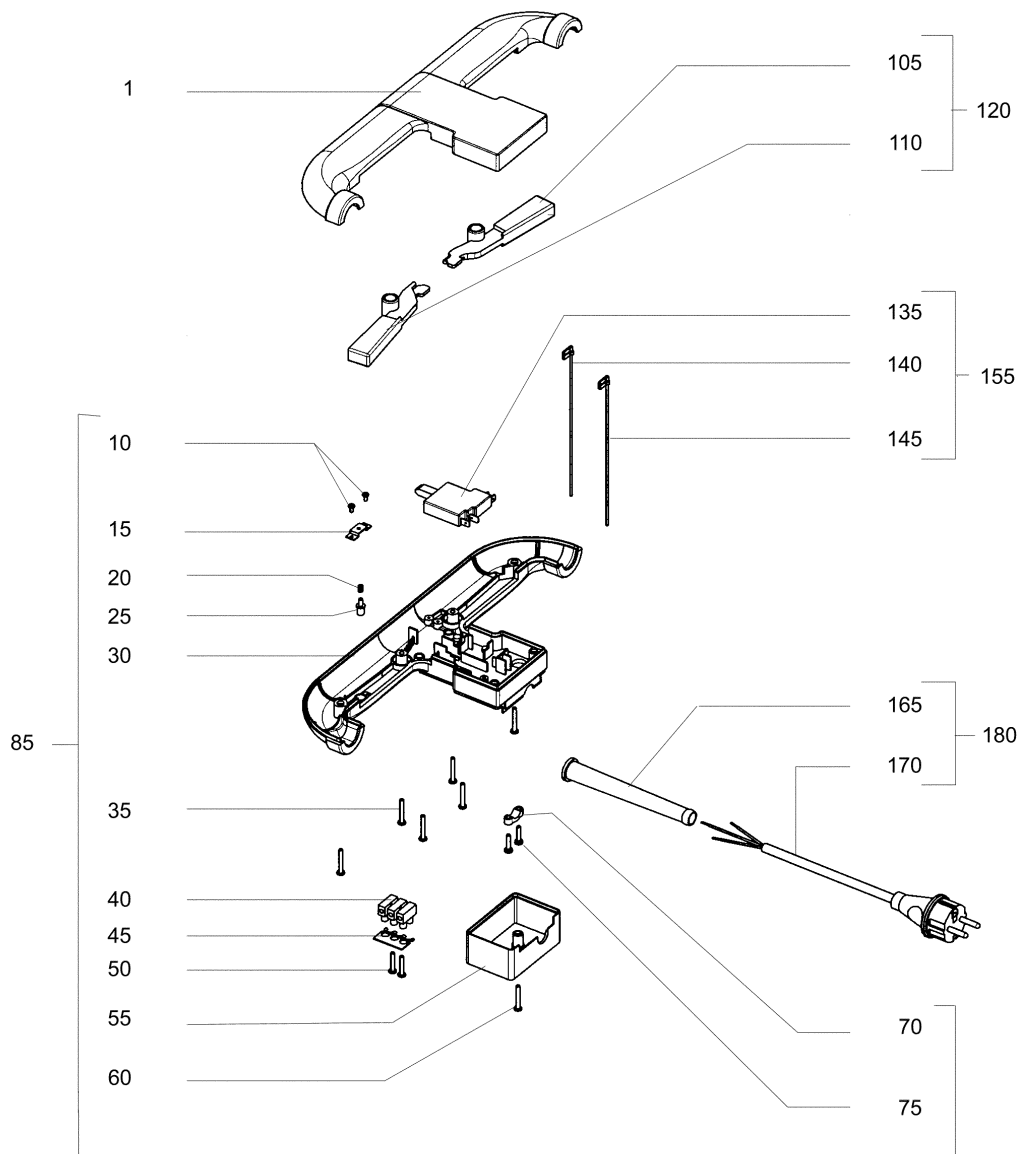
250 Führungsbügel mit Befestigungsteilen ohne Pos.5

EU 510

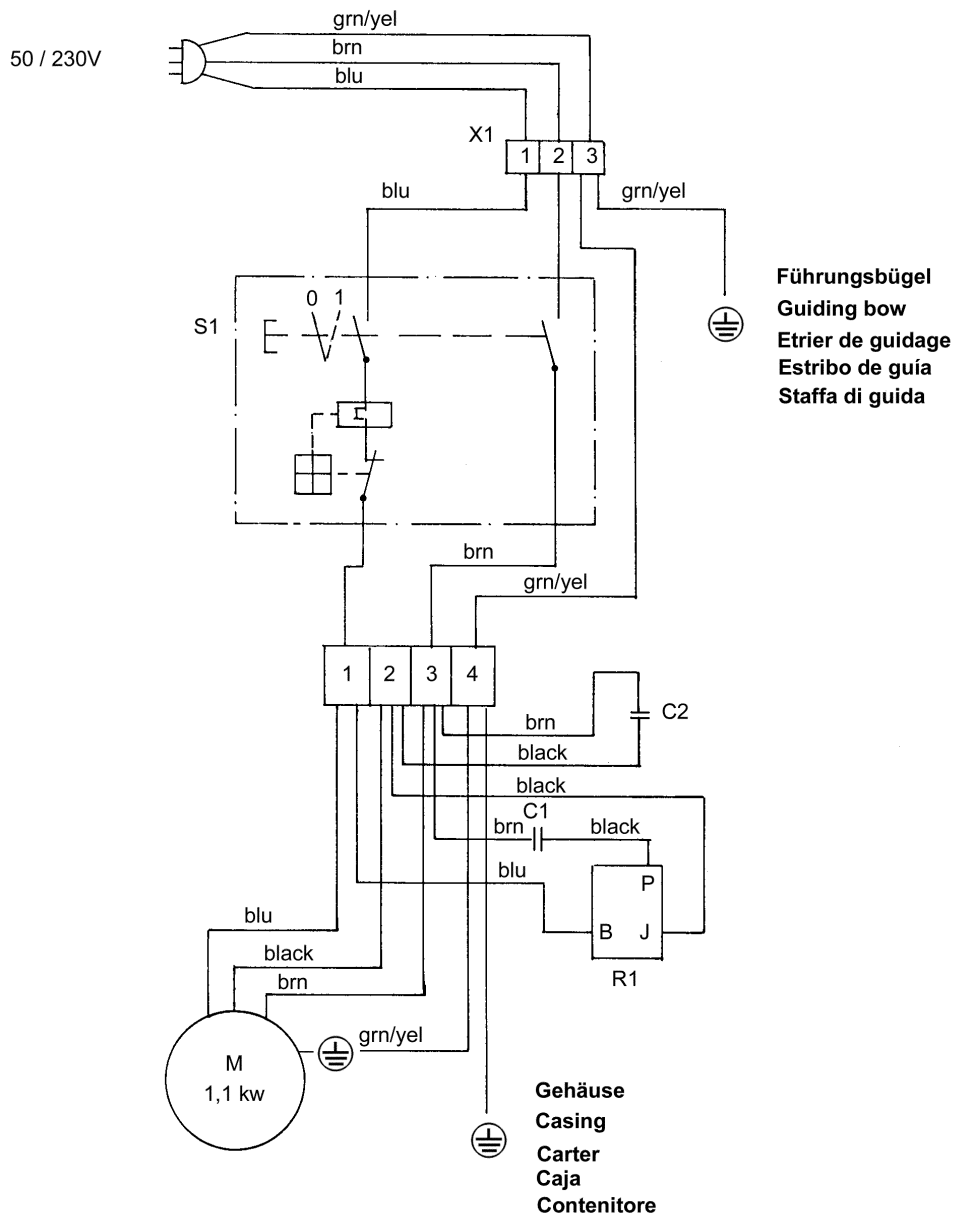
2 - 505

Ser. No. 2 000 330

S. 1 v. 2



		Betco 2 - 505		SWITCH CASE
		S. 2 v.3		
		Ser.- No. 2 000 330		
		Dat. : 05 - 04		
		Dat. : 10 - 03		
View	Betco SKU	Ref.No	Qty.	Description
1		600117	1	Grip shell, upper part
10		600173	2	Screw 2,9x6
15		600115	1	Hat profile
20		600170	1	Spring
25		600169	1	Bolt
30		600118	1	Grip shell, lower part
35		600166	6	Screw KB 35x25
40		095700	1	Connection 3-channel
45		096800	1	Marking strip
50		600176	2	Screw KB 35x20
55		600177	1	Cap
60		600166	1	Screw KB 35x25
70		600168	1	Clamp for pull relief
75		600172	2	Screw 3,5x16
K 85	82885	608153	1	Kit f.switch case lower part
105		600121	1	Switch lever, left
110		600124	1	Switch lever, right
K 120	82868	606338	1	Switch levers, - set -
135		600353	1	Switch
		608231	1	Switch
140		600161	1	Strand brown 160 lg
145		600160	1	Strand blue 160 lg
K 155		608154	1	Switch with strands
	82860	606314	1	Switch with strands
165		604303	1	Sleeve
		081700	1	Sleeve
170		608064	1	Plug cord
		603292	1	Plug cord
K180	82858	603292	1	Plug cord with sleeve 115\



C1	Start Capacitor	Anlaufkondensator	Condensateur	Capacitor	Condensatore
C2	Operating Capacitor	Betriebskondensator	Condensateur	Capacitor	Condensatore
M	Motor	Motor	Moteur	Motor	Motore
R1	Relay	Relais	Relais	Relè	Relais
S1	Switch	Schalter	Interrupteur	Interruptor	Interruttore