

GOLD 18

ORDER #85801

Gold 18" Upright Vacuum Cleaner

FEATURES

- Electronic Control Brush Monitor
- On Board Tool Kit with 3" Dusting Tool, 11" Crevice Tool
- CSA Tested and Certified
- 69 dB Rating
- Lightweight Handle Design for Operator Comfort.

The Betco Gold series upright vacuum cleaners come in two convenient sizes 14" & 18". The dual motor system, 1 vacuum motor & 1 Brush motor, provide maximum cleaning performance. The on board tool kit gives you the versatility to clean not only carpet, but upholstery, blinds, etc...

WARRANTY

1 Year*

*Please refer to Betco Equipment Price/Product Guide for complete equipment warranty information.



SPECIFICATIONS

- Vacuum Motor: 850 watts
- Brush Motor: 300 watts
- Volts: 115 AC
- Power Cord: 50'
- Weight: 27 lbs.
- 69 dB Rating

APPLICATIONS

- Carpet Vacuuming
- Blind Vacuuming
- Upholstery Vacuuming

Authorized Betco Distributor:

Better Solutions Come From...

BETCO®

1001 Brown Avenue • P.O. Box 3127 • Toledo, Ohio 43607-0127

©All Rights Reserved 6/98 • Reorder #85801

BETCO BETTER SOLUTIONS

THE TOTAL SOLUTION FOR BUILDING SERVICE CONTRACTORS.

Betco is now the only manufacturer with a complete line for BSC's.



Complete Floor Machine, Vacuum and Scrubber Line.



Complete Carpet Care Program.



Complete Training Programs.



Complete chemical programs, cleaners, floor care and specialties.



Complete Hand Cleaner Line.



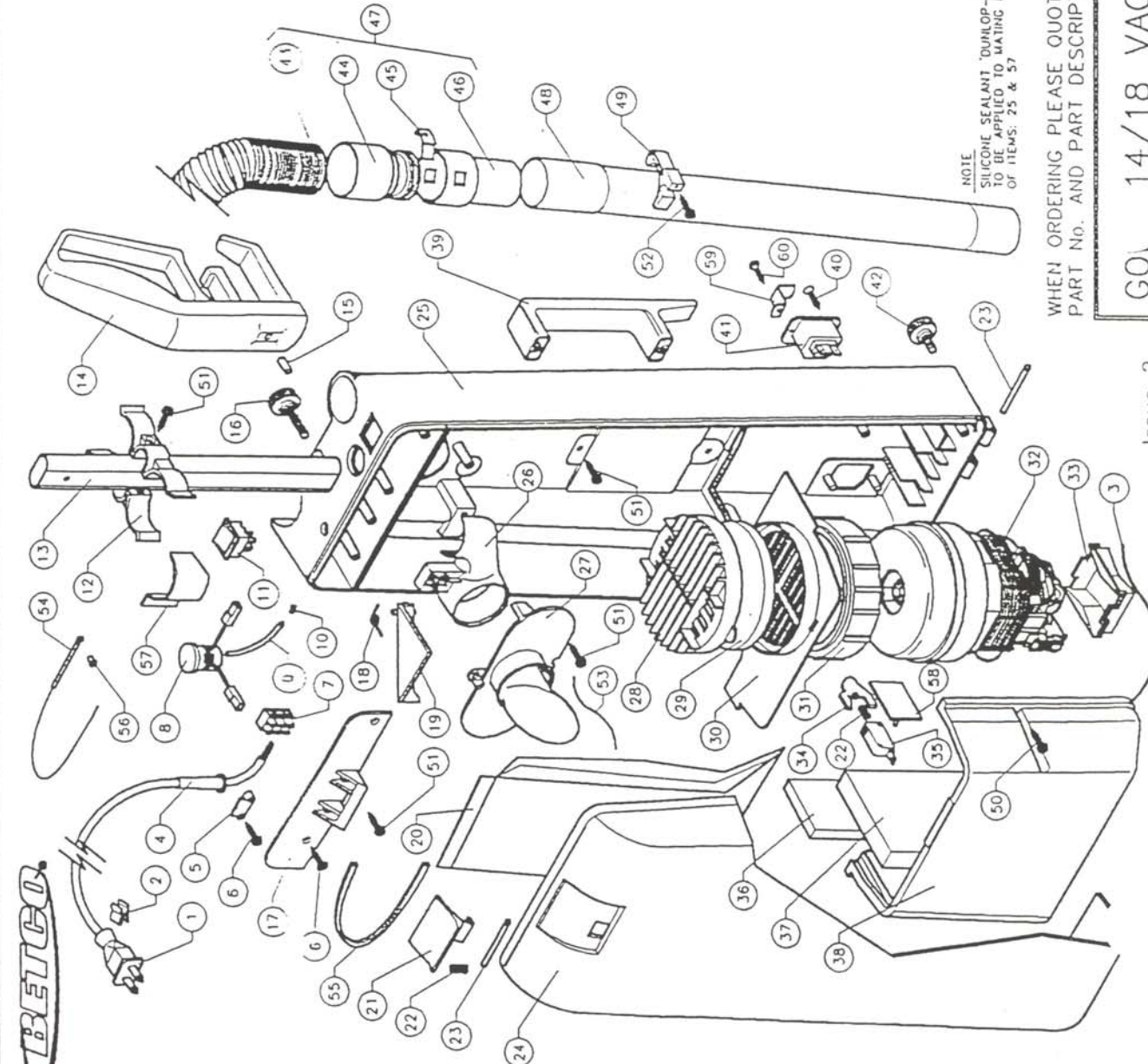
Nationwide Support.

Let Betco be your single source manufacturer.

Better Solutions Come From...



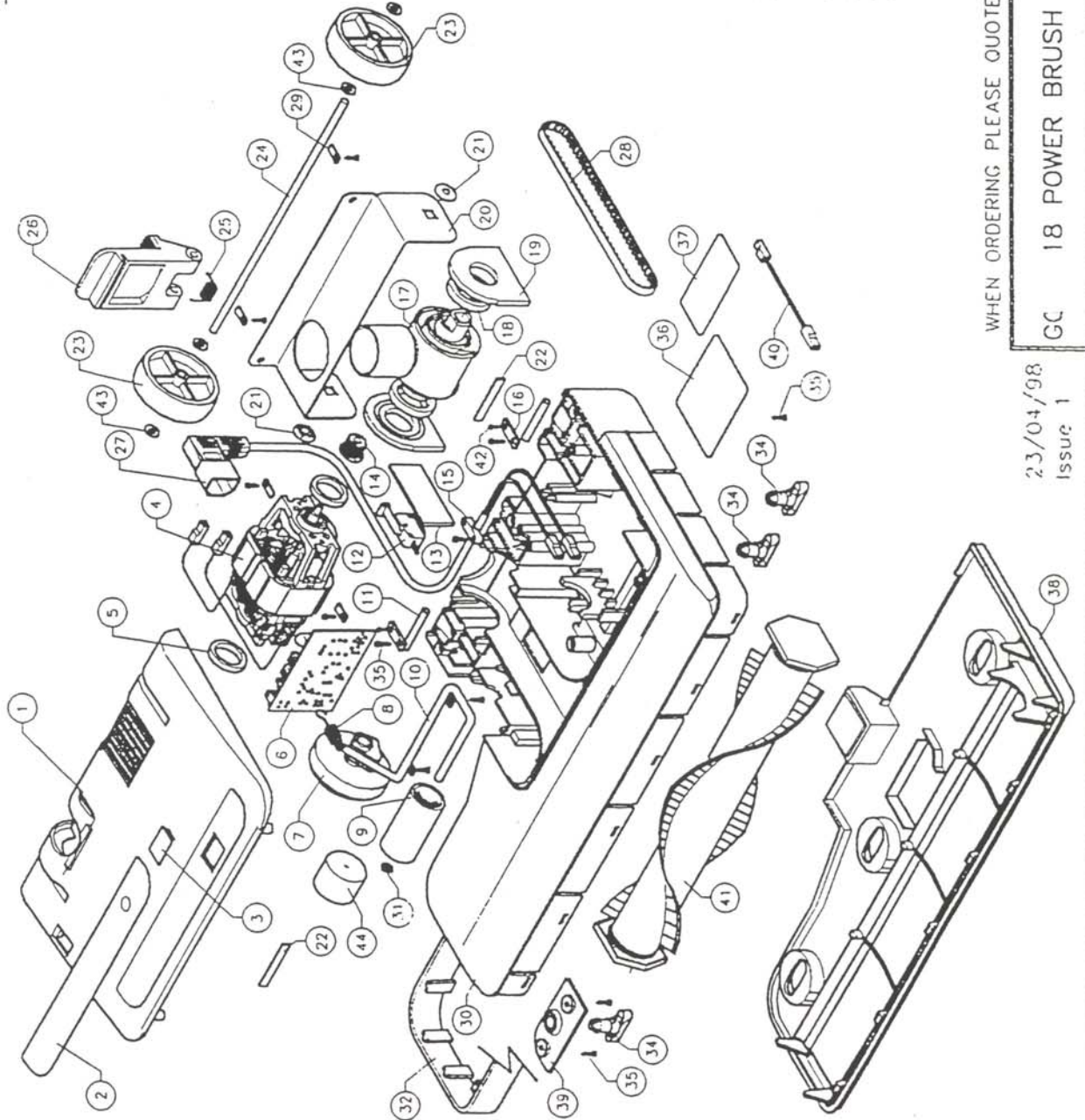
BETCO.



ITEM	PART No.	QTY.	DESCRIPTION
1	85820	1	MAINS LEAD 50' (1mm/2CORE)
2	85821	1	CABLE TIDY
3	85822	-	3mm EXPANDED CORD SEAL
4	85823	1	CABLE GROMMET
5	85824	1	CABLE GRIP
6	85825	2	SCREW C/S 4 x 20mm SPAX
7	85826	1	3-WAY TERMINAL BLOCK
8	85827	1	BAG FULL INDICATOR
9	85828	1	INDICATOR TUBE
10	85829	1	BRASS EYELET
11	85830	1	ON/OFF SWITCH
12	85831	2	TOOL CLIP
13	85832	1	HANDLE TUBE
14	85833	1	PLASTIC HANDLE
15	85834	1	M6x10 SOCKET (DRIVER SCREW (WING POINT
16	85835	1	M6x10 PLASTIC (HUB)
17	85836	1	CATCH PLATE
18	85837	1	ARM SPRING
19	85838	1	NO BAG INDICATOR ARM (RED)
20	85839	1	PAPER DUST BAG
21	85840	1	CATCH
22	85841	2	SPRING
23	85842	3	HINGE PIN
24	85843	1	FRONT CASING (RED)
25	85844	1	REAR CASING
26	85845	1	INLET ADAPTOR
27	85846	1	BAG INLET
28	85847	1	FILTER COVER
29	85848	1	FILTER (BAG BURST)
30	85849	1	MOTOR MOUNTING PLATE
31	85850	1	RUBBER MOTOR RING
32	85851	1	VAC MOTOR 110V
33	85852	1	MOTOR SUPPORT
34	85853	1	MICRO SWITCH PLUNGER
35	85854	1	MICRO SWITCH
36	85855	1	EXIT FILTER
37	85856	1	BATTLE FOAM
38	85857	1	MOTOR COVER
39	85858	1	REAR HANDLE
40	85859	1	SCREW C/S 3 x 12mm SPAX
41	85860	1	SOCKET OUTLET (2 PIN)
42	85861	2	M5 x 10 PLASTIC KNOB
43	85862	2	STRETCH HOSE
44	85863	2	SWIVEL END INNER
45	85864	4	RETAINING CLIP
46	85865	2	SWIVEL END OUTER
47	85866	2	32mm SWIVEL HOSE ASSY
48	85867	1	PLASTIC TUBE
49	85868	1	SUCTION TUBE RETAINER
50	85869	8	SCREW PH 4 x 35mm SPAX
51	85870	4	SCREW PH 4 x 20mm SPAX
52	85871	1	SCREW PH 4 x 12mm SPAX
53	85872	1	300mm NYLON CORD
54	85873	1	ANTI-STATIC RESISTOR ASSY
55	85874	1	INLET NOZZLE DUST SEAL
56	85875	1	BRASS EYELET
57	85876	1	ANTI-STATIC LEAD COVER
58	86051	1	MICRO SWITCH PLATE
59	86052	1	PLUG RETAINING BRACKET
60	86053	1	SCREW PH 3 x 12mm SPAX

NOTE
SILICONE SEALANT 'DUNLOP-DP2205'
TO BE APPLIED TO MATING FACES
OF ITEMS: 25 & 57

WHEN ORDERING PLEASE QUOTE
PART NO. AND PART DESCRIPTION



ITEM	PART No.	QTY.	DESCRIPTION
1	85877	1	POWER BRUSH TOP MOULDING
2	85878	1	TOP COVER 18 LABEL
3	85879	1	CLIP IN LENS
4	85880	1	110V 50 Hz 300W MOTOR
5	85881	2	MOTOR SUPPORT RUBBERS
6	85882	1	CIRCUIT BOARD - 110V
7	85883	1	HEIGHT ADJUSTMENT KNOB
8	86047	1	ROLLEP ADJUSTMENT SPRING
9	85884	1	FLOOR ROLLER
10	85885	1	ROLLER AXLE
11	85886	2	PIVOT PIN
12	85887	1	MICRO SWITCH
13	85888	1	SWITCH PLATE
14	85889	1	COGGED DRIVE (MOTOR END)
15	85890	1	CABLE GRIP
16	85891	2	CLAMP PLATE
17	85892	1	TRUNNION
18	85893	2	TRUNNION SIDE FELT
19	85894	2	TRUNNION SIDE PLATE
20	85895	1	PRESS STEEL BRACKET
21	85896	2	SQUARE RUSH
22	85897	2	FELT SEAL
23	85898	2	WHEEL Ø66
24	85899	1	WHEEL AXLE
25	86025	1	PARK RELEASE SPRING
26	86026	1	FOOT PEDAL
27	86027	1	INPUT POWER CORD
28	85818	1	DRIVE BELT(XL 128)
29	86028	6	CLAMP WASHER
30	86029	1	POWER BRUSH MIDDLE MOULDING LONG
31	86030	1	6mm STARLOCK CAP
32	86031	1	LONG BUFFER
33	86032	2	END PLATE RUBBER SUPPORT
34	86033	3	TURNBUTTON
35	86034	18	M4 x 20mm SPAXS
36	86035	1	BRUSH LABEL
37	-	1	RATING LABEL
38	86036	1	GOLD 470 BOTTOM FLOOR PLATE
39	86037	1	TURNBUTTON MOUNTING PLATE
40	86038	1	INTER CABLE (SWITCH TO PCB)
41	85817	1	GOLD 470 BRUSH ROLL COMPLETE
42	86039	2	M4 X 12mm SPAXS
43	86040	4	M6 WASHER
44	86041	1	FOAM RING SEAL

WIRING DIAGRAM - 86049

WHEN ORDERING PLEASE QUOTE PART No. AND PART DESCRIPTION

23/04/98
Issue 1

GC 18 POWER BRUSH ASSEMBLY 115V 60Hz - BE

Betco Equipment Division

Betco Gold 14 & 18 Operator Manuel

BETCO Gold 14 & 18 Vacuums

1. Safety check the cable and plug before starting.
2. Check the brush and remove any string or debris which may be wrapped around the brush.
3. Check that a bag is fitted and is in good condition.
4. Plug the vacuum in to the power outlet.
5. Adjust the brush height to suit the carpet thickness. There are 4 settings; a setting of 1 allows maximum contact of the brush with the carpet.
6. Turn the main power switch on. The main vacuum motor will start.
7. Hold the handle and depress the red foot pedal. This will allow the handle to be lowered to a comfortable working position and at the same time, start the brush motor.
8. Vacuum the floor.

Using the Wand

1. Return the handle to an upright position.
2. Remove the wand by pulling it backwards and upwards. When the wand is removed the brush motor will stop automatically.
3. Use the crevice or upholstery tool as required.
4. After use, return the wand to its original position, ensuring that it fits correctly.

Dust Bag Full

1. This vacuum is fitted with a red "Bag Full/ Blocked Hose" indicator. It will light if the air flow is obstructed.
2. If the light comes on, switch off and check the dust bag. If the dust bag is full, replace it with a new bag. If the bag is not full, check the wand to ensure it is not blocked.

Dust Bag Replacement

1. Open the door by pulling the door latch.
2. Hold the top of the dust bag with one hand and with the other, pull the bottom of the bag down and out. Seal the bag using the flap.
3. The vacuum cannot be closed until a new bag is fitted. Always fit a new genuine BETCO dust bag.

Changing the Inlet Filter

1. Remove the bag as described above.
2. Twist the filter cage anti-clockwise and lift.
3. Replace the filter with a new genuine BETCO filter and replace the filter cage.

CAUTION! Do not use the vacuum without an inlet filter.

Warning Lights

1. This vacuum is fitted with a 3 color warning lamp. This lamp operates when the brush motor is working.
2. The GREEN lamp indicates that the brush is working correctly.
3. The ORANGE lamp indicates the drive belt is broken.
4. The RED lamp indicates that the motor has stopped.

Belt and Brush Replacement

1. Turn the machine upside down and align the two clips with the front edge of the vacuum.
2. Lift off the brush cover and remove the brush roll.
3. If required, fit a new belt around the motor spindle and the toothed wheel on the brush roll.
4. ensure that the rubber end caps are seated properly and refit the brush roll in the sockets.