

# GU 305-355-455-DUAL

---

Model:  
GU 305  
GU 355  
GU 355-DUAL  
GU 455-DUAL



Part List US-English

17-04-2009

# Table of Contents

GU 305-355-455-DUAL

<b>Body</b>	<b>3</b>
<b>Base</b>	<b>5</b>
<b>Filters</b>	<b>7</b>
<b>Nozzles and tube</b>	<b>9</b>

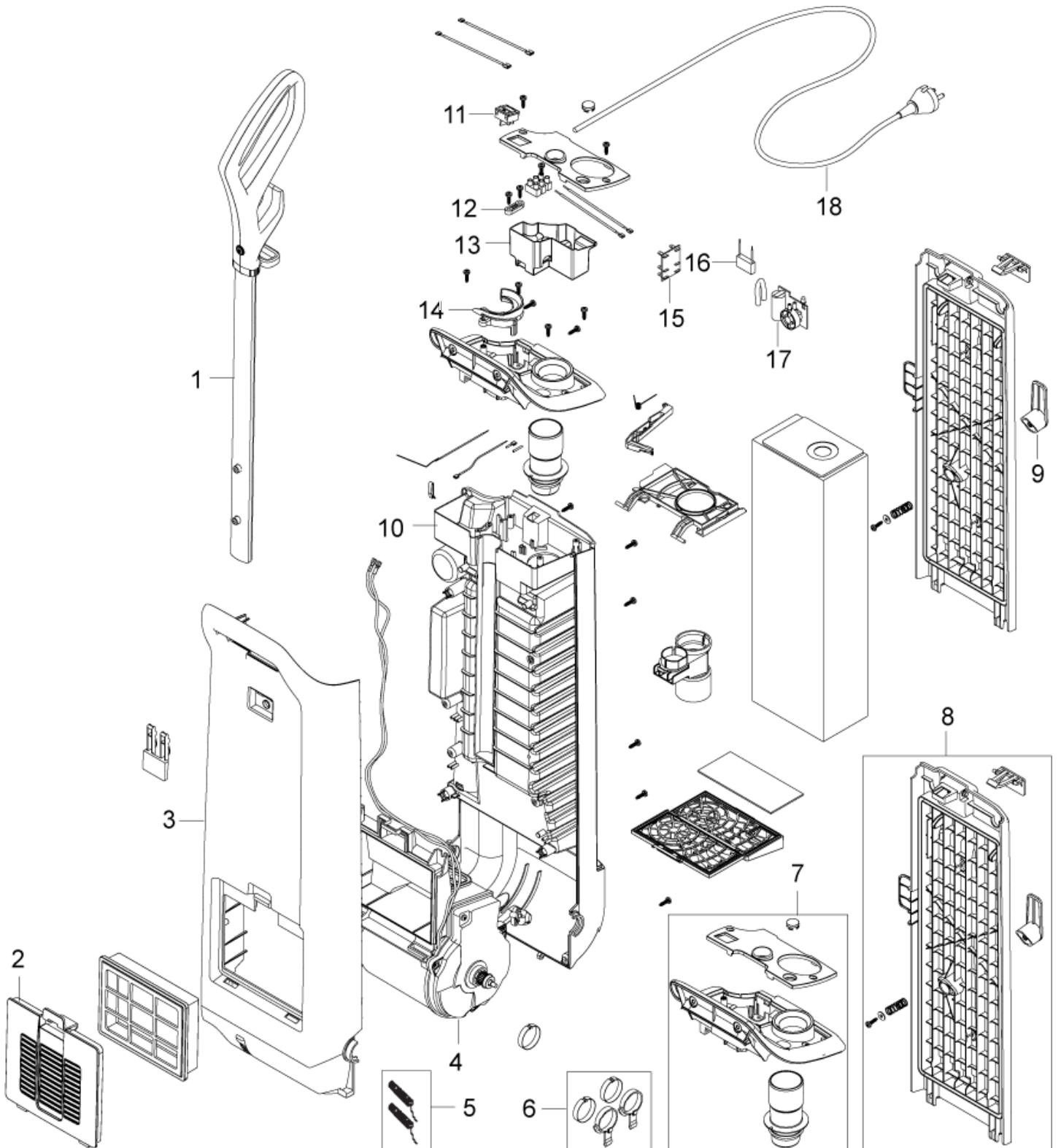
# Body

GU 305-355-455-DUAL

17-04-2009

Part List ID  
GU30506

3



# Body

GU 305-355-455-DUAL

17-04-2009

Part List ID  
GU30506

4

Pos	Part no.	Qty	Description	EAN
1	147 0833 500	1	HANDLE COMPLETE	7319519663
2	147 0965 500	1	COVER EXHAUST FILTER.GREY	7319519663
2	147 0965 510	1	COVER EXHAUST FILTER.BLUE	7319519663
3	147 0847 500	1	COVER BODY FRONT. GREY	7319519664
3	147 0847 510	1	COVER BODY FRONT. BLUE	7319519664
4	147 0864 500	1	MOTOR CASSETTE 220-240V	7319519662
4	147 0864 510	1	MOTOR CASSETTE 110-120V	7319519662
4	147 0864 520	1	VACUUM MOTOR CASSETTE 100V	7319519662
5	147 1326 500	1	CARBON BRUSH KIT	7319519664
6	147 0927 500	1	JOINT BASE TO BODY W RING	7319519670
7	147 0842 500	1	COVER TOP KIT. GREY	7319519663
7	147 0842 510	1	COVER TOP KIT. BLUE	7319519664
8	147 0857 500	1	LID CPL. GREY	7319519663
8	147 0857 510	1	LID CPL. BLUE	7319519663
9	147 0852 500	1	HOOK FOR CORD	7319519663
10	147 0850 500	1	COVER BODY REAR	GREY 7319519663
10	147 0850 510	1	COVER BODY REAR	BLUE 7319519663
11	140 5496 510	1	SWITCH UL KIT	7319519631
12	056 1014 060	1	ANTI-STRAIN CLIP BLACK	7319519352
13	147 0843 500	1	ELECTRIC BOX	7319519662
14	147 1062 500	1	HOLDER TUBE	7319519663
15	140 7024 500	1	BOARD ANTI STATIC	7319519632
16	140 8166 010	1	CAPACITOR	7319519603
18	12003801	1	CORD SET EU CPL. L 15M	5715492003
18	12003802	1	CORD SET UK CPL. L 15M	5715492003
18	12003803	1	CORD SET AU/NZ CPL. L 15M	5715492003
18	12003805	1	CORD SET US/JP CPL. L 15M	5715492003
18	140 3859 640	1	CORD SET US/TW 15M YELLOW	7319519663
18	147 0504 510	1	CORD SET CN 15M	7319519663

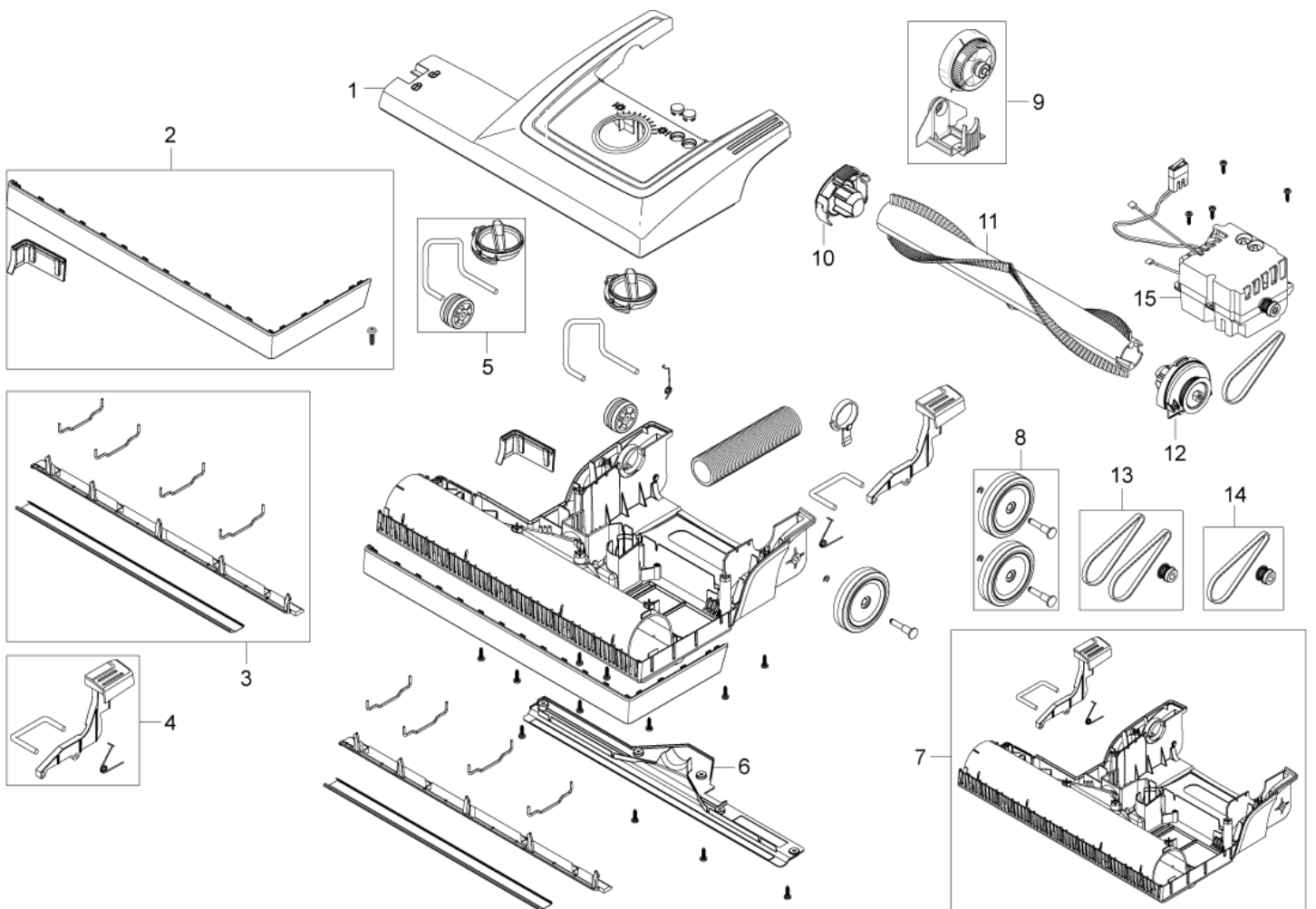
# Base

GU 305-355-455-DUAL

17-04-2009

Part List ID  
GU30504

5



# Base

GU 305-355-455-DUAL

17-04-2009

Part List ID  
GU30504

6

Pos	Part no.	Qty	Description		EAN
1	147 0924 500	1	COVER BRUSH HOUSE. GREY	305	7319519663
1	147 0924 510	1	COVER BRUSH HOUSE. BLUE	12"/305	7319519664
1	147 0924 600	1	COVER BRUSH HOUSE. GREY	305 incl. lens	7319519663
1	147 0924 610	1	COVER BRUSH HOUSE. BLUE	12"/305 incl. lens	7319519664
1	147 0925 500	1	COVER BRUSH HOUSE. GREY	355	7319519663
1	147 0925 510	1	COVER BRUSH HOUSE. BLUE	15"/355	7319519663
1	147 0925 610	1	COVER BRUSH HOUSE. BLUE	15"/355 incl. lens	7319519663
1	147 0926 500	1	COVER BRUSH HOUSE. GREY	455	7319519663
1	147 0926 510	1	COVER BRUSH HOUSE. BLUE	18"/455	7319519664
2	147 0886 500	1	BUMPER KIT 12 INCH/305		7319519663
2	147 0889 500	1	BUMPER KIT 15 INCH/355		7319519663
2	147 0892 500	1	BUMPER KIT 18 INCH/455		7319519663
3	147 0992 500	1	SUPPORT BRUSH SHOE KIT	12"/305	7319519663
3	147 0992 510	1	SUPPORT BRUSH SHOE KIT	15"/355	7319519663
3	147 0992 520	1	SUPPORT BRUSH SHOE KIT	18"/455	7319519663
4	147 0935 500	1	PEDAL W SHAFT AND SPRING		7319519670
5	147 0901 500	1	ROLLER KIT		7319519663
6	147 0988 500	1	BRUSH SHOE 12 INCH/305		7319519663
6	147 0989 500	1	BRUSH SHOE 15/355		7319519663
6	147 0990 500	1	BRUSH SHOE 18/455		7319519663
7	147 0885 500	1	CHASSIS 12 INCH /305		7319519663
7	147 0888 500	1	CHASSIS 15 INCH/355		7319519663
7	147 0891 500	1	CHASSIS 18 INCH/455		7319519663
8	147 0898 500	1	WHEEL KIT		7319519663
9	147 0906 500	1	CLUTCH AND BEARING KIT		7319519663
10	147 0944 500	1	COVER		7319519663
11	147 0930 500	1	BRUSH 12 INCH/305		7319519663
11	147 0930 510	1	BRUSH 15 INCH/355		7319519663
11	147 0930 520	1	BRUSH 18 INCH/455		7319519663
12	147 0913 500	1	BEARING		7319519663
13	147 0905 510	1	DRIVE BELT KIT DOUBLE MOTOR		7319519664
14	147 0905 500	1	DRIVE BELT KIT		7319519663
15	147 0984 500	1	MOTOR CASSETTE 220-240V		7319519662
15	147 0984 510	1	MOTOR CASSETTE 100-120V		7319519662

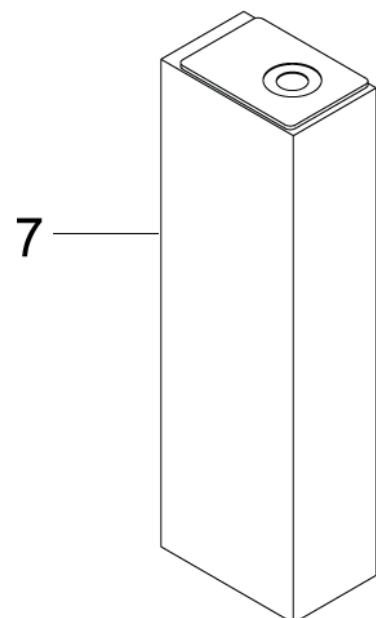
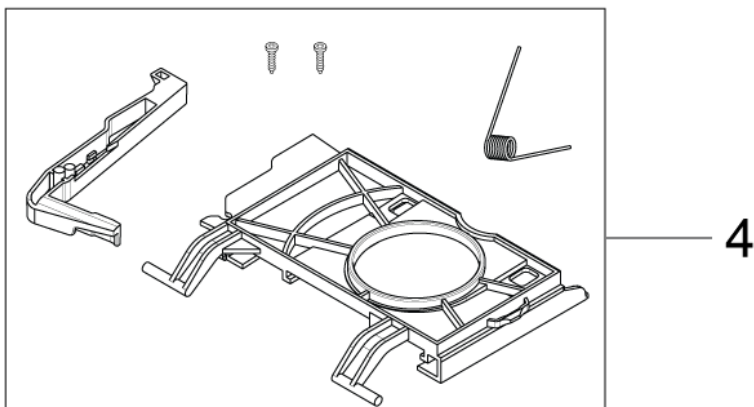
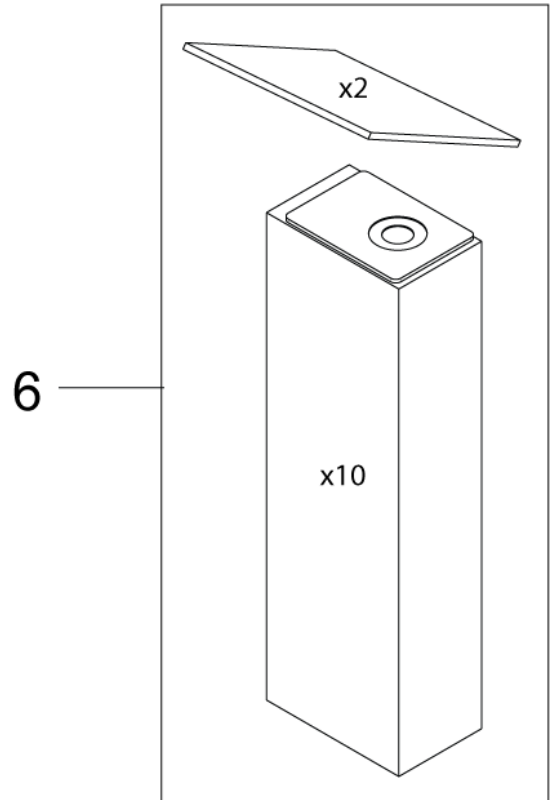
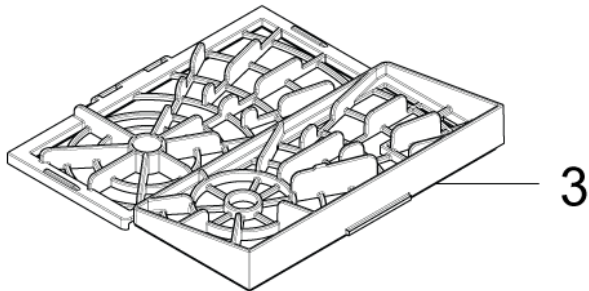
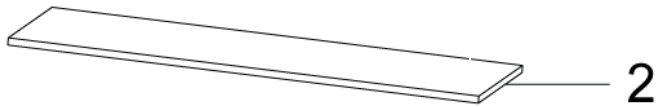
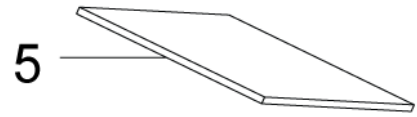
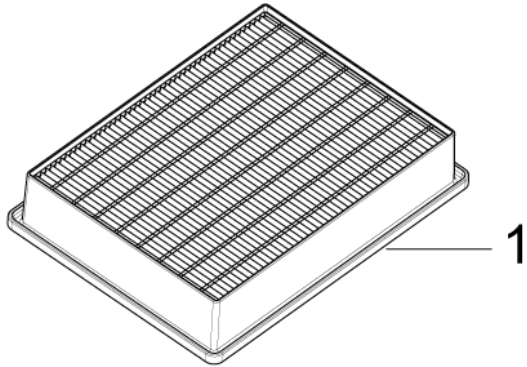
# Filters

GU 305-355-455-DUAL

17-04-2009

Part List ID  
B10939

7



# Filters

GU 305-355-455-DUAL

17-04-2009

Part List ID  
B10939

8

Pos	Part no.	Qty	Description	EAN
1	147 1250 600	1	HEPA-FILTER. H13	7319519664
2	147 0966 500	1	EXHAUST FILTER	7319519663
3	147 0958 500	1	HOLDER PRE FILTER KIT	7319519663
4	147 0854 500	1	HOLDER DUST BAG KIT	7319519663
5	147 0960 500	1	PRE FILTER KIT	7319519663
6	147 1058 500	1	DUST BAG 408X78 10-P	7319519663
7	147 1059 500	1	DUST BAG REUSEABLE	7319519664



# Nozzles and tube

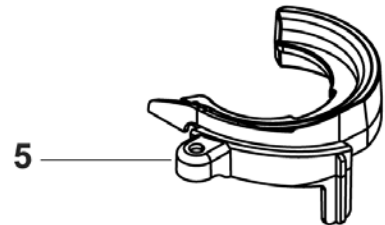
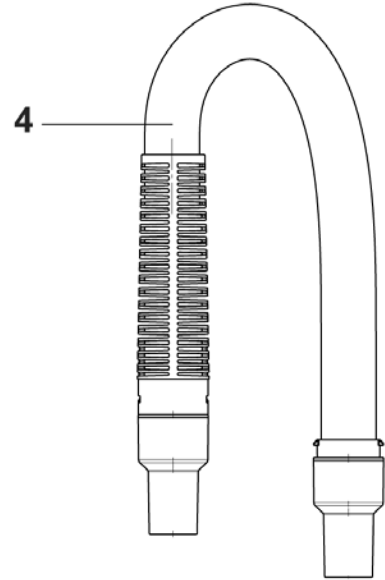
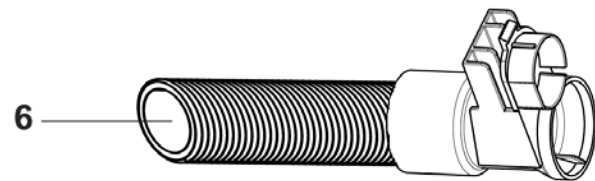
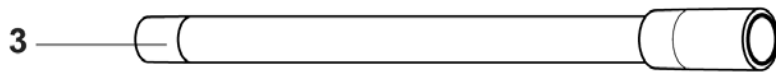
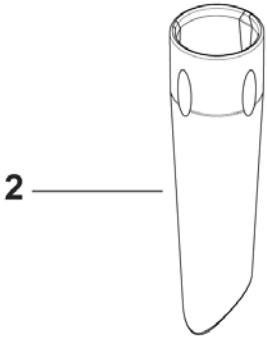
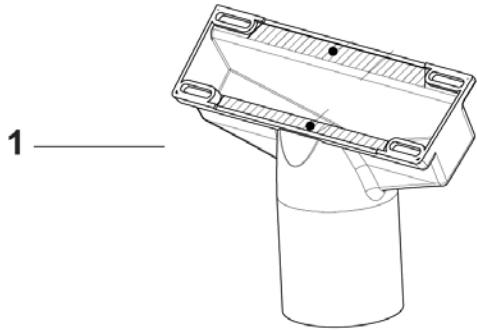
GU 305-355-455-DUAL

17-04-2009

Part List ID

B109311

9



# Nozzles and tube

GU 305-355-455-DUAL

17-04-2009

Part List ID

B109311

10

Pos	Part no.	Qty	Description	EAN
1	147 1205 500	1	UPHOLSTERY NOZZLE	7319519663
2	147 1203 500	1	CREVICE NOZZLE 35	7319519663
3	147 0851 500	1	EXTENSION TUBE 35MM	7319519664
4	147 0950 500	1	HOSE STRETCHABLE	7319519663
5	147 1062 500	1	HOLDER TUBE	7319519663
6	147 0919 500	1	ADAPTER BASE TO TUBE W.HOSE	7319519670