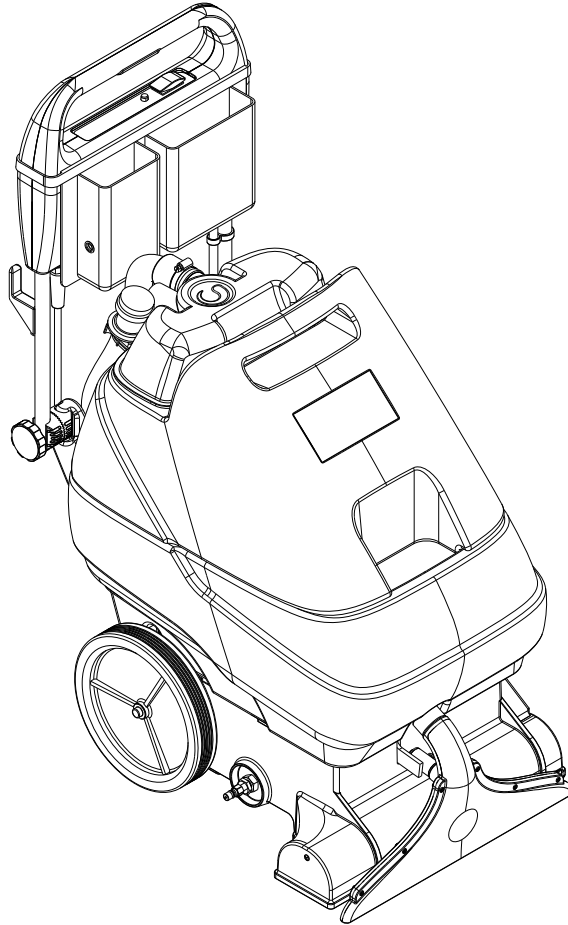


Klenzor® 16

Klenzor® 18 MPH



PARTS LIST

Kent MODELS 56265004(16), 56265005(18)

KENT

Simple. Clean.

12/04 revised 7/10 FORM NO. 56042453

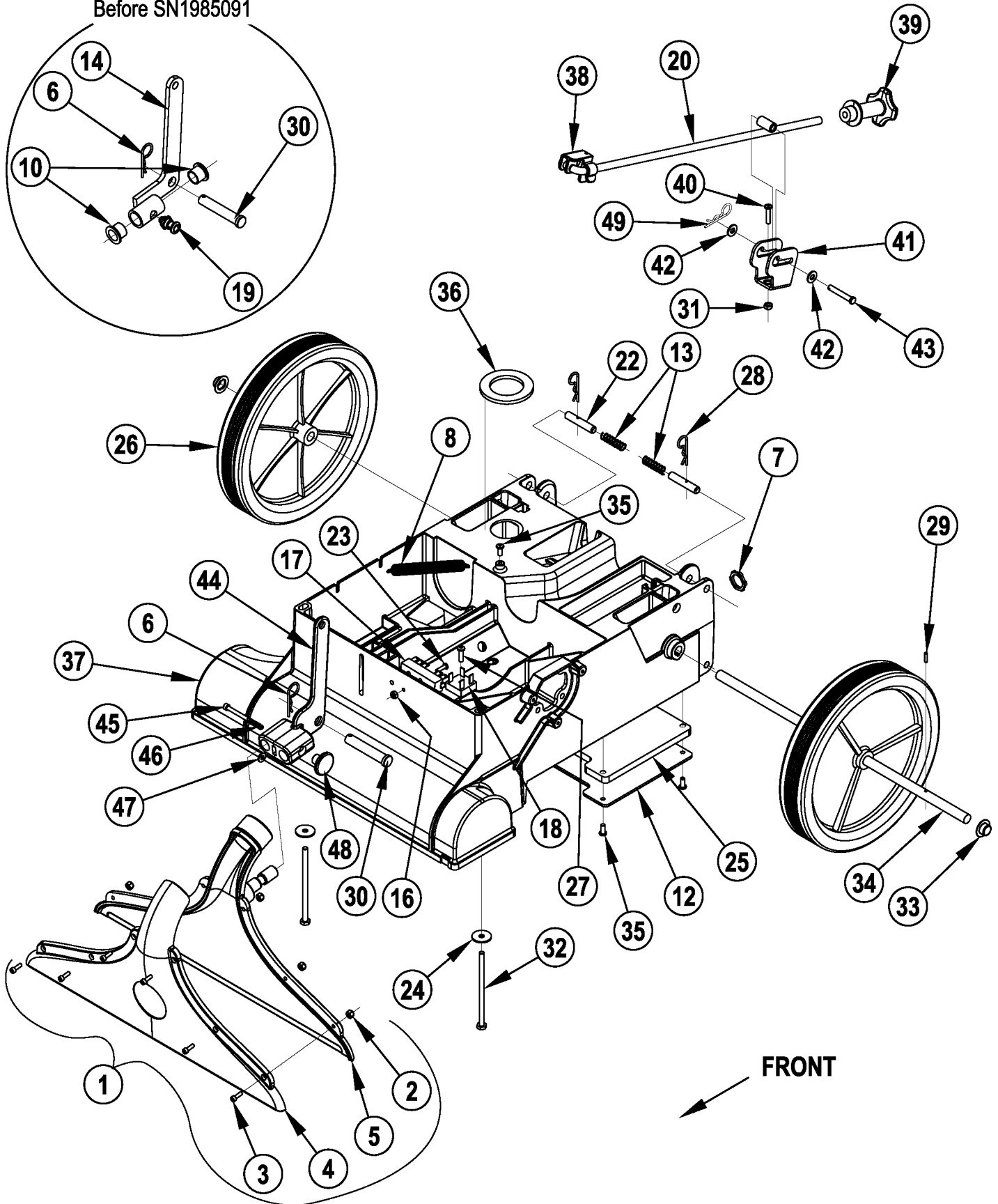
DESCRIPTION	PAGE
Base System	2-3
Brush System	4-5
Decal System	6-7
Handle System 16	8-9
Handle System 18	10-11
Recovery System	12-13
Solution Pump System	14-15
Solution Tank Assembly	16-17
Wiring Diagram	18-19
Accessories	20

WHEN ORDERING PARTS

- * Use the part numbers from the "Ref. No." columns in this parts list.
- * Specify the model and serial number of the machine.
- * Use the space below to record the model and serial number for future reference.

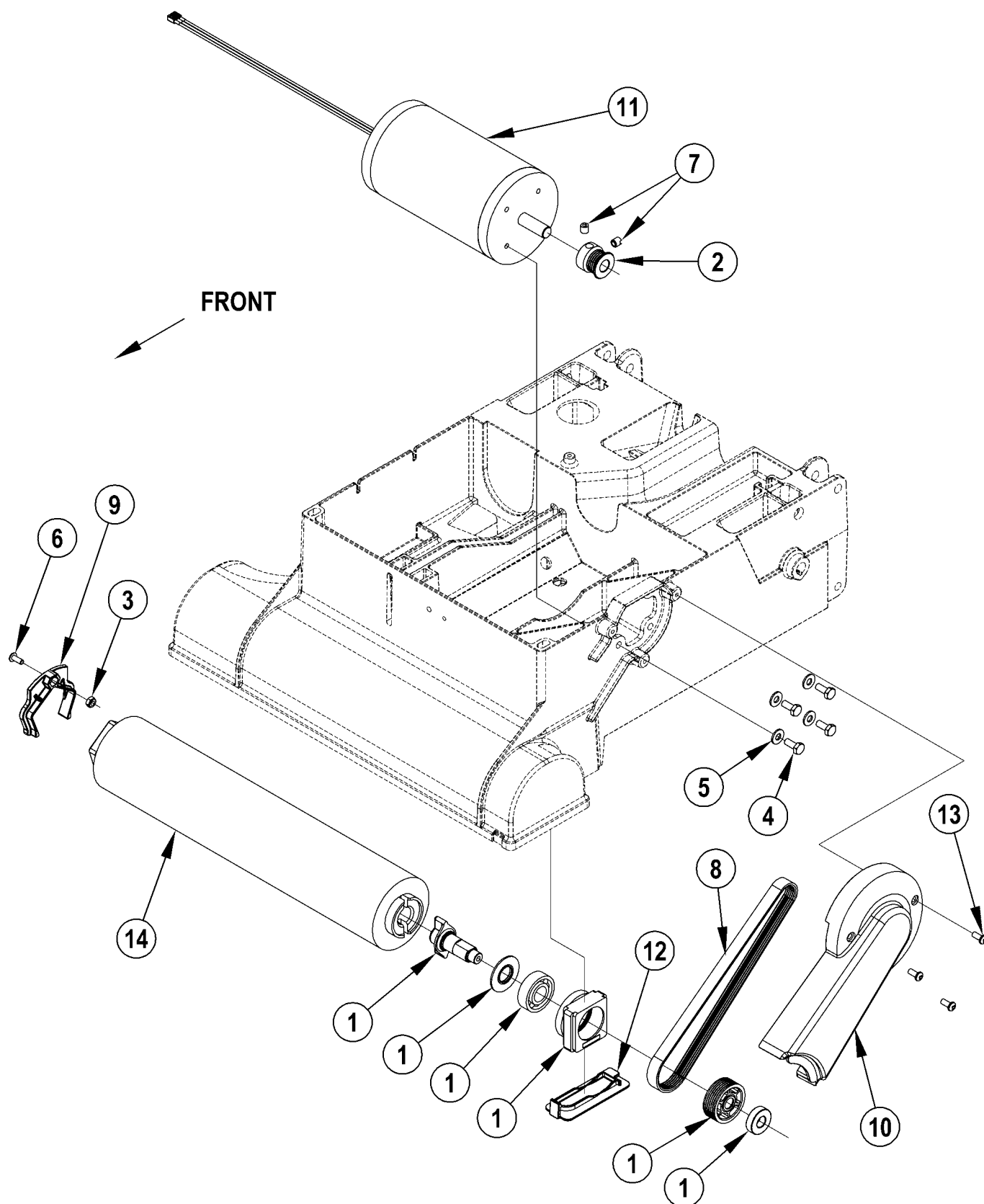
Model _____ Serial No. _____

Before SN1985091



Item	Ref. No.	Qty	Description
1	56265067	1	Shoe Assembly, 16 (Klenzor 16) (items 2-5)
	56265080	1	Shoe Assembly, 18 (Klenzor 18) (items 2-5)
2	56002865	6	Nut, Hex Nyl Loc-Thin 8-32
3	56002101	6	Scr, Soc Hd 8-32 x 0.50
4	56265068	1	Shoe Front, 16
	56265081	1	Shoe Front, 18
5	56265069	1	Shoe Back, 16, Assy
	56265082	1	Shoe Rear, 18, Assy
6	56002959	1	Pin, Cotter Hair
7	56009095	1	Nut, Conduit Lock 1/2-14
8	56398606	1	Spring, Ext .50 x 6.25
10	56171095	2	Bearing, Flange before SN1985091
12	56265172	1	Panel, Exhaust
13	56228142	2	Spring, Compression
14	56265116	1	Linkage Weldment, 16 (16) before SN1985091
	56265144	1	Linkage Weldment, 18 (18) before SN1985091
16	56002865	1	Nut, Hex Nyl Loc-Thin 8-32
17	56260071	1	Terminal Block
18	56265103	1	Rectifier, 35 Amp
19	56365548	1	Lock Pin Assy before SN1985091
20	56265111	1	Adjustment Rod Weldment
22	56265073	2	Pin, Pivot
23	56002146	1	Scr, Pan Phil 8-32 x .62
24	56009060	2	Wsh, Flt SS .260 x 1.000 x .074
25	56265071	1	Gasket, Exhaust
26	56249505	2	Wheel
27	56003091	1	Scr, Pan Phil Plastite 10-14 x .75
28#	56003120	2	Pin, Cotter Hair .0915 x .375
29	56003133	1	Pin, Spr .12 x .56
30	56003207	1	Clevis Pin .50 x 2.75
31	56002832	1	Nut, Hex Nyl Loc-Thin 10-24
32	56003691	2	Scr Hex Loc SS 1/4-20 x 4.50
33	56009097	2	Nut, Push Cap 1/2
34	56265057	1	Axle
35	56009191	5	Scr, Pan Phil Plastite 10-14 x .50
36	56200573	1	Gasket, Ring 1.75 x 2.75 x .19
37	56265020	1	Base, Extractor, 16 (16)
	56265120	1	Base, Extractor, 18 (18)
38	56265031	1	Clip, Rod
39	56109548	1	Knob, Brush Adjustment
40	56002674	1	Scr, Pan Phil 10-24 x 1.00
41	56265119	1	Latch, Adjustment
42	56002098	2	Wsh, Flt SAE 1/4
43	56003193	1	Clevis Pin .25 x 1.625
44	56265237	1	Lever, Brush Adjustment after SN1980769
45	56003761	1	Scr, Soc Hd SS 10-32 x 1.50 after SN1980769
46	56201448	1	Spring, Compression after SN1980769
47	56002916	1	Wsh, Flt SAE SS #10 after SN1980769
48	56265239	1	Knob after SN1980769
49#	2-00-05249	1	Hair Pin-Cotter

= Revised or new since last update



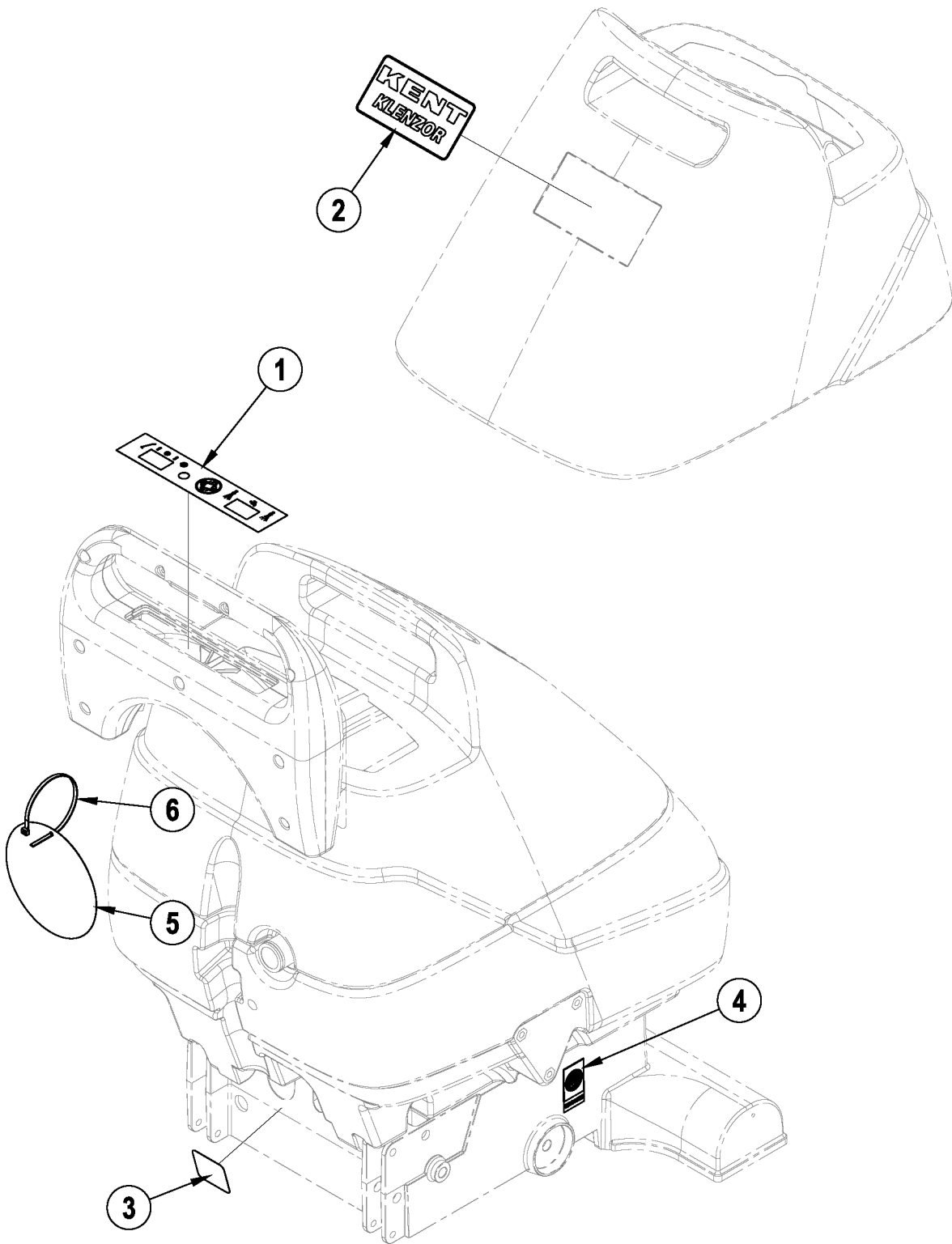
04-12

BRUSH SYSTEM

05-3

Klenzor® 16, 18 MPH**5**

Item	Ref. No.	Qty	Description
1	56265204	1	Bearing/Spindle Kit
		1	Spindle, Drive
		1	Washer, Bearing
		1	Bearing, Block
		1	Sheave Poly-V 6J17
		1	Bearing, Ball
		1	Bearing, Ball
2	56262558	1	Sheave, Poly-V
3	56002849	1	Nut, Hex Nyl Loc-Thin SS 10-24
4	56001854	4	Scr, Hex Hd 1/4-20 x .50
5	56002098	4	Wsh, Flt SAE 1/4
6	56002900	1	Scr, Pan Phil SS 10-24 x .50
7	56009131	2	Scr, Soc Set Loc 5/16-18 x .31
8	56265024	1	Belt, Poly V
9	56265043	1	Clip, Brush Retainer
10	56265047	1	Belt Guard
11	56265075	1	Motor, 115 VDC, 1/3 HP
12	56265091	1	Cover, Pulley
13	56009191	3	Scr, Pan Phil Plastite 10-14 x .50
14	56265044	1	Brush Assembly 16
	56265046	1	Brush, 16
	56265099	1	Brush Assembly 18
	56265065	1	Brush, 18



04-12

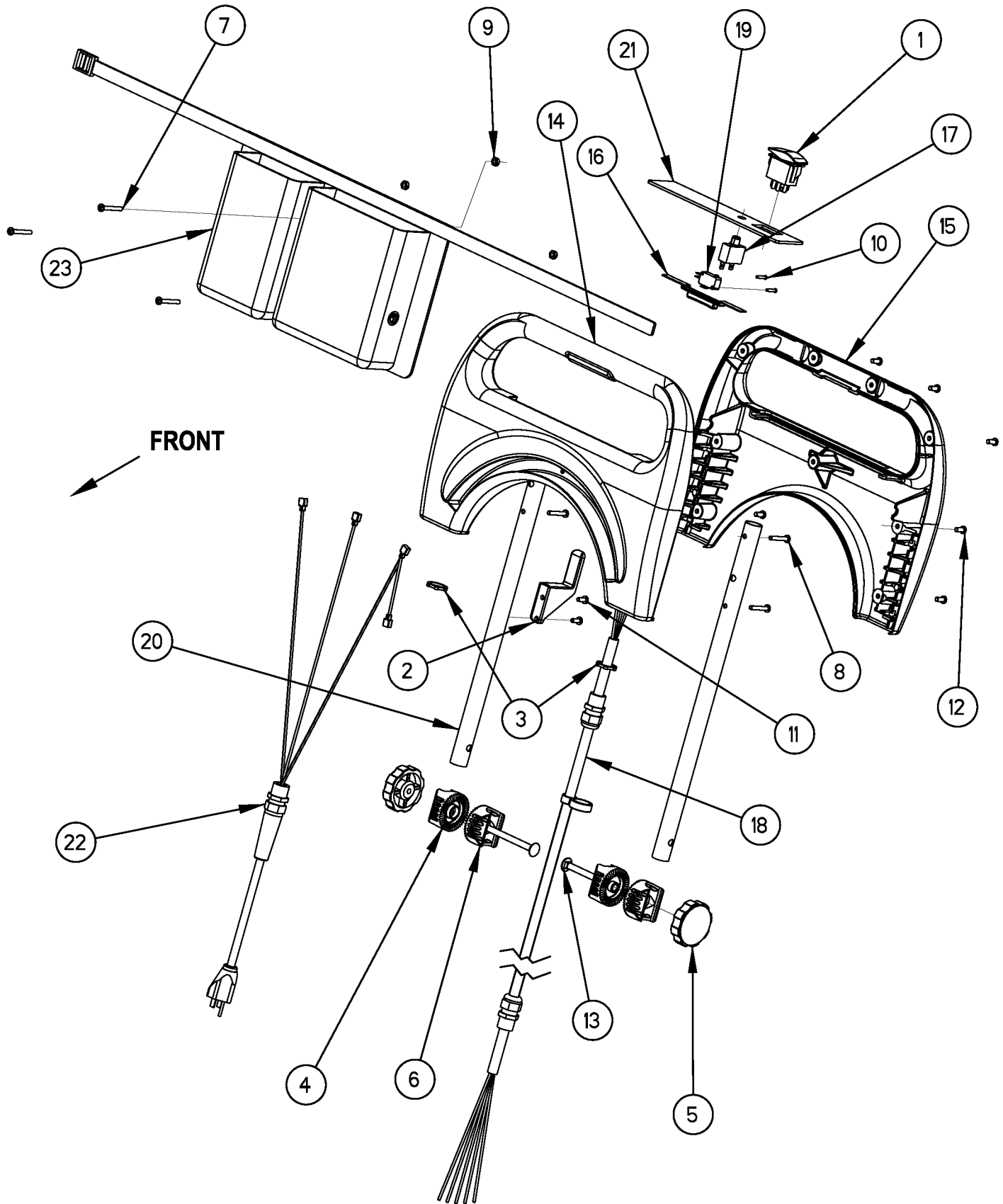
DECAL SYSTEM

08-4

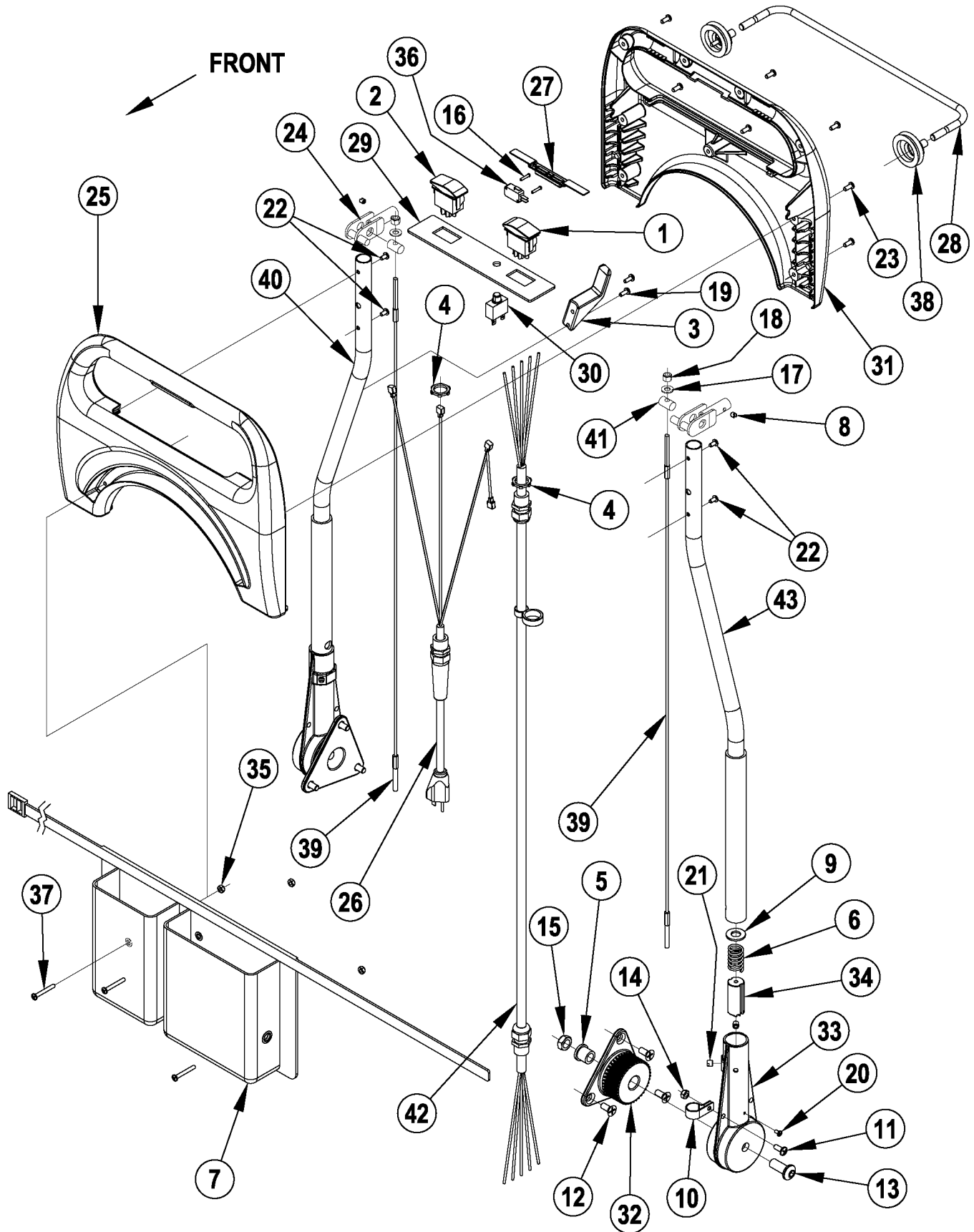
Klenzor® 16, 18 MPH

7

Item	Ref. No.	Qty	Description
1	56016717	1	Decal, Panel (18)
	56016716	1	Decal, Panel (16)
2	56016723	1	Decal, Kent Klenzor
3	56016718	1	Decal, Brush Pressure
4	56317151	1	Decal, CRI Bronze
5	56040958	1	Tag, CRI
6	56478523	1	Tie, Cable



Item	Ref. No.	Qty	Description
1	56265097	1	Switch, Rocker
2	56262518	1	Hook, Cord
3	56009095	2	Nut, Conduit Lock 1/2-14
4	56264123	2	Ratchet
5	56302167	2	Knob
6	56264118	2	Ratchet
7	56002231	3	Scr, Pan Phil 10-24 x 1.50
8	56002824	4	Scr, Pan Phil 10-24 x 1.25
9	56002832	3	Nut, Hex Nyl Loc-Thin 10-24
10	56003092	2	Scr, Pan Phil Plastite 4-20 x .62
11	56009029	2	Scr, Pan Phil Thd Form 10-24 x .50
12	56009191	9	Scr, Pan Phil Plastite 10-14 x .50
13	56009227	2	Scr, Carriage 5/16-18 x 3.50
14	56265028	1	Cover, Handle, Front
15	56265029	1	Cover, Handle, Rear
16	56265053	1	Button, Spray
17	56265056	1	Circuit Breaker W/Boot
18	56265085	1	Main Cable Assy
19	56265098	1	Switch, SPDT Snapaction
20	56265143	2	Tube, Handle
21	56265159	1	Panel, Control
22	56265162	1	Cord, Power 14/3, SJT
23	56265198	1	Bag, Utility



Item	Ref. No.	Qty	Description
1	56265097	1	Switch, Rocker (vacuum)
2	56265107	1	Switch, Rocker (solution)
3	56262518	1	Hook, Cord
4	56009095	2	Nut, Conduit Lock 1/2-14
5	56111503	2	Bearing, Flange
6	56056519	2	Compression Spring
7	56265198	1	Bag, Utility
8	56001841	2	Scr, Soc Set Loc 1/4-20 x .25
9	56009003	2	Wsh, Flt .516 x .938 x .075
10	56486112	1	Clamp, P
11	56002066	2	Scr, Pan Phil 1/4-20 x .62
12	56002395	6	Scr, Flt Phil 5/16-18 x .75
13	56009341	2	Scr, Button Soc 1/2-13 x 1.50
14	56002840	1	Nut, Hex Nyl Loc-Thin 1/4-20
15	56002843	2	Nut, Hex Nyl Loc-Thin 1/2-13
16	56003092	2	Scr, Pan Phil Plastite 4-20 x .62
17	56002098	2	Wsh, FLT SAE 1/4
18	56003284	2	Nut, Hex Nyl Loc 1/4-28
19	56009029	2	Scr, Pan Phil Thd Form 10-24 x .50
20	56009066	2	Scr, Pan Phil 8-32 x .31
21	56009131	4	Scr, Soc Set Loc 5/16-18 x .31
22	56009139	4	Scr, Pan Phil Loc 10-24 x .38
23	56009191	9	Scr, Pan Phil Plastite 10-14 x .50
24	56265241	2	Handle Adjustment Pivot NOTE 1
25	56265028	1	Cover, Handle, Front
26	56265162	1	Cord, Power 14/3, SJT
27	56265053	1	Button, Spray
28	56265054	1	Bail, Handle Release
29	56265055	1	Panel, Control
30	56265056	1	Circuit Breaker W/Boot (5 amps)
31	56265062	1	Cover, Flip Handle, Back
32	56109556	2	Gear, Handle
33	56265083	2	Handle Socket
34	56109557	2	Lock, Handle
35	56002832	3	Nut, Hex Nyl Loc-Thin 10-24
36	56265098	1	Switch, SPDT Snapaction
37	56002231	3	Scr, Pan Phil 10-24 x 1.50
38	56265128	2	Bellows, Handle
39	56265147	2	Wire Rope Assy
40	56265157	1	Tube, Handle
41	56265242	2	Pin NOTE 2
42	56265192	1	Main Cable Assy
43	56265197	1	Tube, Handle

NOTE 1: Pivot Weldment 56265023 is obsolete and has been replaced by Handle Adjustment Pivot 56265241 in production. Order Kit 56265191 when replacing 56265023.

NOTE 2: Pin 56265164 is obsolete and has been replaced by Pin 56265242 in production. Order Kit 56265191 when replacing 56265164

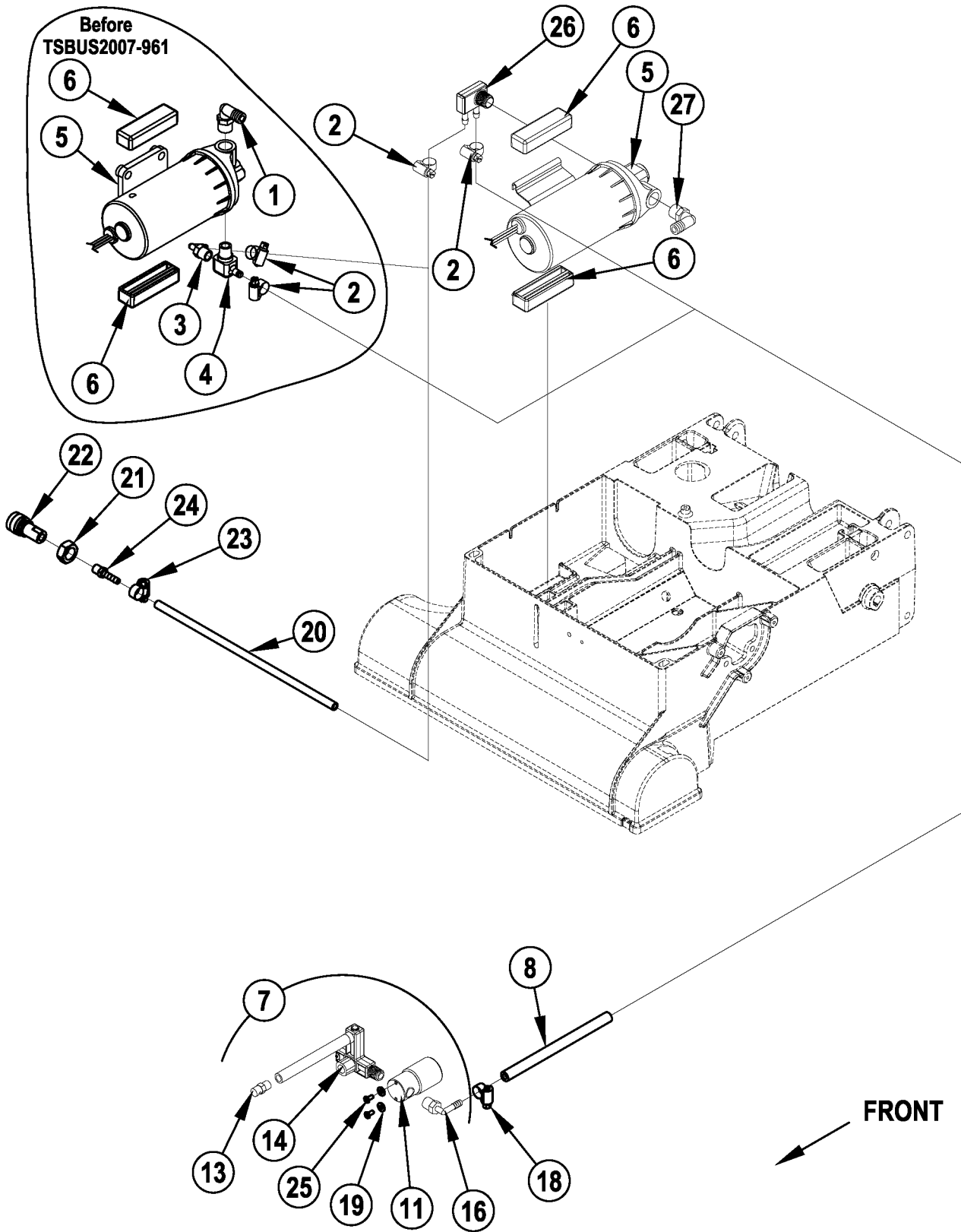
04-12

RECOVERY SYSTEM

09-12

Klenzor® 16, 18 MPH**13**

Item	Ref. No.	Qty	Description
1	56265096	1	Vac Motor, 120V
*	56264453	1	Carbon Brushes for 56265096 (one pair)
2	56265142	1	Vac Hose 1.50 x 48.00 x 975018 (Klenzor 16)
	56265211	1	Vac Hose 1.50 x 54.00 x 975018 (Klenzor 18)
3	56331154	1	Clamp, Plastic
4	56324497	2	Cage, Float
5	56385437	1	Gasket
6	56391690	1	Ball, Float
7	56002124	2	Scr, Pan Phil 10-24 x .62
8	56003809	2	Scr-Hex SS 10-24 x 2.00
9	56009205	10	Wsh, Flt SS #10
10	56002836	2	Nut-Hex Nyl Loc SS 10-24
11	56265030	1	Cover, Vac Motor
13	56265034	1	Hose, Drain 1.5 Inch
14	56109528	1	Recovery Lid Assy
15	56265072	1	Gasket, Vac Cover
16	56440213	1	Clamp, Hose SAE #32
17	56265131	1	Tank, Recovery, 16 (16)
	56265133	1	Tank, Recovery, 18 (18)
18	56265134	1	Duct, Float
19	56265163	1	Gasket
20	56265202	1	Vac Hose Assy
21	56314484	3	Mount, Vibration
22	56314760	1	Gasket, Vacuum Duct
23	56329145	1	Clamp, Hose SAE #24
24	56002900	8	Scr, Pan Phil SS 10-24 x .50
25	56009096	2	Wsh-Flt .193 x .875 x .060



04-12

SOLUTION PUMP SYSTEM

09-12

Klenzor® 16, 18 MPH**15**

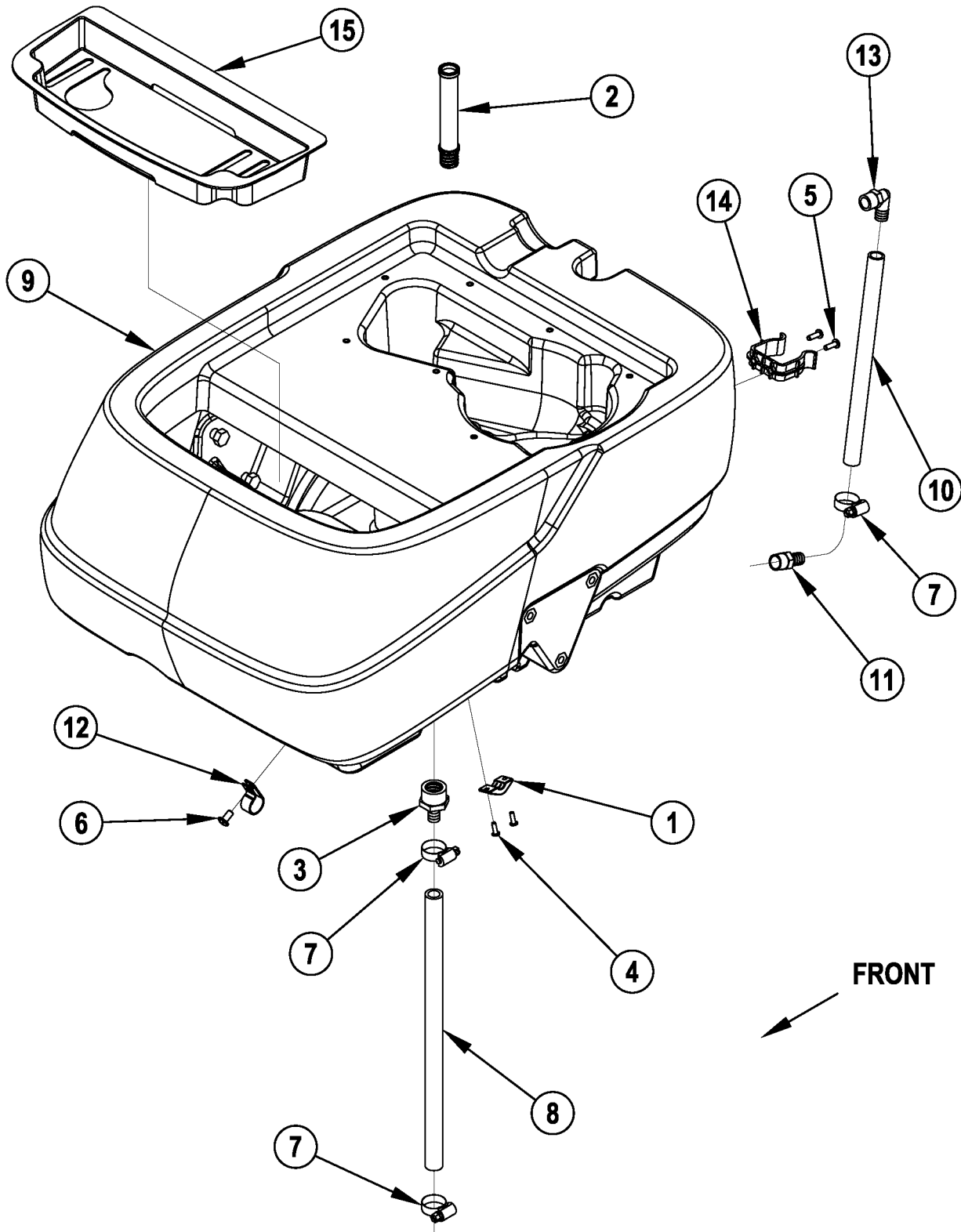
Item	Ref. No.	Qty	Description
1	56900069	1	Barb, 90 Elbow 1/2 X 3/8NPT before SN1985091 / TSBUS2007-961 TSBUS2007-961-1
2	56756364	2	Clamp, Hose SAE #4
5	56265051	1	Pump 115V before SN1985091
	56265224	1	Pump 115V after SN1985090
6	56265033	2	Mount, Pump
7	56109513	1	Nozzle/Valve Assy (16) (items 11, 13, 14, 16) NOTE 3
8	56260841	1	Hose, Polyester Braid (7") before SN1985091
	56264346	1	Hose, Polyester Braid (10.5") after SN1985090
11	56265037	1	Valve, Solenoid 115V TSBUS2007-966
13	56265052	1	Nozzle, Spray
14	NA		
16	56470138	1	Barb, 90 Elbow 1/4 x 1/4NPT
18	56756364	1	Clamp, Hose SAE #4
19	56002875	2	Wsh, Flt SAE SS #8
20	56220043	1	Hose, Polyester Braid (12") before SN1985091
	56264346	1	Hose, Polyester Braid (10.5") after SN1985090
21	56009078	1	Nut, Hex Jam SS 5/8-18
22	56265208	1	Socket, 1/8 FPT
23	56756364	1	Clamp, Hose SAE #4
24	56369594	1	Barb, Adapter 1/4 x 1/8NPT
25	56003018	2	Scr, Pan Phil SS 8-32 x .38
26	56109503	1	Double Barb Assy
27	56109566	1	Barb, 90 Elbow 1/2 x 3/8 NPT NOTE 2

NOTE 2: First generation - **56409507** used before December 2007.

Second generation – **56900069** used from December 2007 through August 2008.

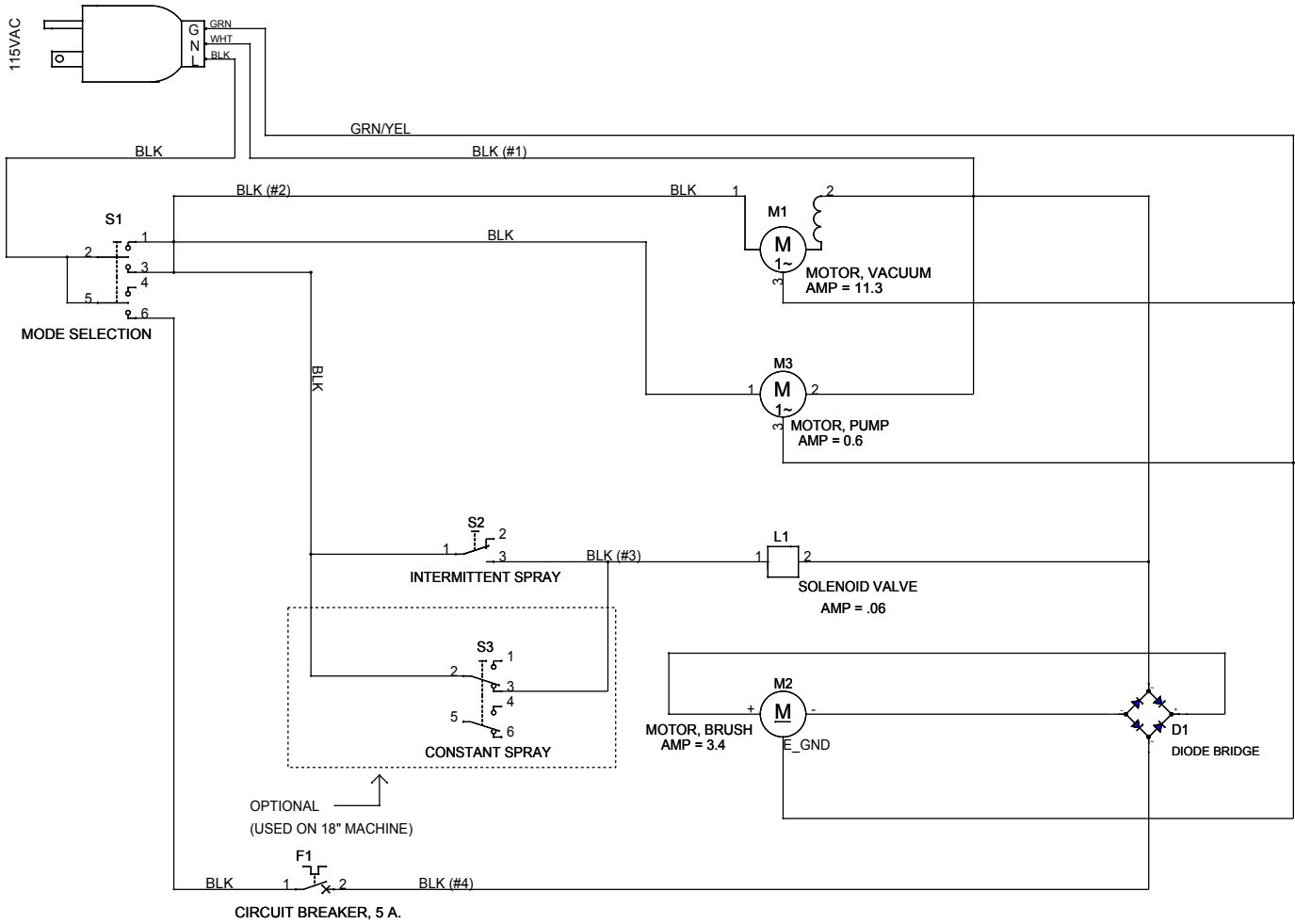
Third generation – **56109566** used after August 2008.

NOTE 3: As of serial number 1000031068 Nozzle / Valve Assy 16 56265160 is obsolete and replaced by Nozzle-Valve Assy-16 56109513. If you need to replace any of the subcomponents from 56265160 please order the entire new assembly 56109513.



Item	Ref. No.	Qty	Description
1	56264119	1	Clamp, Power Cord (18 only)
2	56264137	1	Screen
3	56262190	1	Barb TSBUS2007-961 / TSBUS2007-961-1
4	56002003	2	Scr, Pan Phil 8-32 x .50 (18 only)
5	56002124	2	Scr, Pan Phil 10-24 x .62
6	56002145	1	Scr, Pan Phil 1/4-20 x .50 (18 only)
7	56219932	3	Clamp, Hose SAE #6
8	56387302	1	Hose, Spiral .500 before SN1985091
	56407267	1	Hose, Spiral .500 after SN1985090 NOTE 1
9	56265132	1	Tank, Solution, 18 (18)
	56265130	1	Tank, Solution, 16 (16)
10	56265216	1	Hose, PVC Clear 11.00
11	56109565	1	Barb, Adapter 1/2 x 3/8NPT
12	56486112	1	Clamp, P (18 only)
13	56109566	1	Barb, 90 Elbow 1/2 x 3/8NPT
14	56331154	1	Clamp, Plastic
15	56265206	1	Lid, Solution Tank (16 only)

NOTE 1: Hose 56266108 has been replaced by Hose 56407267.



Item	Ref. No.	Qty	Description
D1	56265103	1	Rectifier, 35 Amp
F1	56265056	1	Circuit Breaker, 5 Amp
L1	56265037	1	Valve, Solenoid 115V TSBUS2007-966
M1	56265096	1	Motor Vacuum, 120V
*	56264453	1	Carbon Brushes for 56265096 (one pair)
M2	56265075	1	Motor, Brush 115 VDC, 1/3 HP
M3	56265051	1	Pump 115V before SN1985091
	56265224	1	Pump 115V after SN1985090
S1	56265097	1	Switch, Mode Selection
S2	56265053	1	Switch, Intermittent Spray
S3	56265107	1	Switch, Constant Spray (18 only)
*	56265187	1	Wire Assembly (16, 18)
*	56265102	1	Wire Assembly (16, 18)
*	56265087	1	Wire Assembly (16, 18)
*	56265108	2	Wire Assembly (18)

* = Not Shown

ACCESSORIES

04-12

20

Klenzor® 16, 18 MPH

09-12

OPTIONAL BRUSHES

Brush Assembly Description	16"	18"
Nylon Brush Assembly	56265044	56265099
Blue Brush Assembly	56265175	56265177
240 Grit Brush Assembly	56265176	56265178

ACCESSORY TOOLS

Ref. No.	Description
56314402	Wand Assembly w/Soft and Hard Floor Tools
56265173	Wand Assembly w/Soft Floor Tool
56262209	Stand Up Wand
56220109	Hand Tool
56380377	Spray Tip (for 56220109)
56220070	Upholstery Hand Tool
56265174	15' Hose w/Waterline
56265112	Locking Extension Cord
56265368	8' Hose w/Waterline
56265150	Hard Floor Tool (56040930-Parts List)
56265309	Plug Adaptor Kit
56265305	Drag Wand
56265306	Scrub N Vac Wand
56250314	14" Scrub/Vac Tool

KENT

Simple. Clean.

14600 21st Avenue North
Plymouth, MN 55447-3408

www.kenteuroclean.com

Phone: 800-334-1083

Fax: 800-261-4779

©2010 Nilfisk-Advance, Inc.

A Nilfisk-Advance Brand