

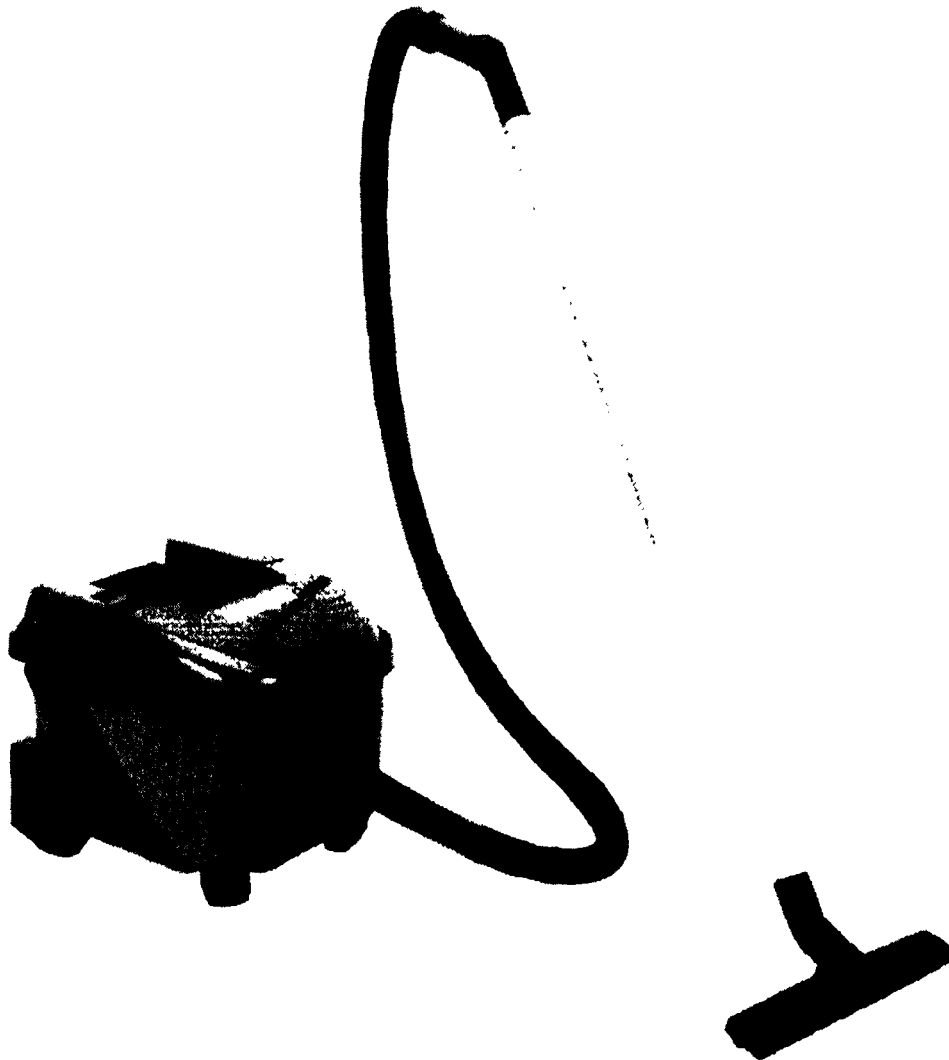
# KENT

## OWNER'S MANUAL

OPERATION • CARE • SERVICE

DRY ONLY TANK VACUUM

**Model KT - 2.6**



March 1995  
083378

**THE KENT COMPANY** • 2310 INDUSTRIAL PARKWAY • P O BOX 1665 • ELKHART, IN 46515, U S A  
**TEL:** (219)293-8661 • (800)334-1083 • **FAX:** (219)295-8610 • **TELEX:** 25-8331 KENT CO EKR

# **IMPORTANT SAFETY INSTRUCTIONS**

---

When using an electrical appliance, basic precautions should always be followed including the following:

**READ ALL INSTRUCTIONS BEFORE USING THIS APPLIANCE**

## **WARNING:**

### **To reduce the risk of fire, electric shock, or injury:**

- Do not leave appliance when plugged in. Unplug from outlet when not in use and before servicing.
- To avoid electric shock, use indoors only.
- Do not allow to be used as a toy. Close attention is necessary when used by or near children.
- Use only as described in this manual. Use only manufacturer's recommended attachments
- Do not use with damaged cord or plug. If appliance is not working as it should, has been dropped, damaged, left outdoors, or dropped into water, return it to a service center.
- Do not pull or carry by cord, use cord as a handle, close a door on cord, or pull cord around sharp edges or corners. Do not run appliance over cord. Keep cord away from heated surfaces.
- Do not unplug by pulling on cord. To unplug, grasp the plug, not the cord.
- Do not handle plug or appliance with wet hands.
- Do not put any object into openings. Do not use with any opening blocked; keep free of dust, lint, hair, and anything that may reduce air flow.
- Do not pick up anything that is burning or smoking, such as cigarettes, matches, or hot ashes.
- Do not use without proper filter(s) in place.
- Turn off all controls before unplugging.
- Use extra care when cleaning on stairs.
- Do not use to pick up flammable or combustible liquids such as gasoline or use in areas where they may be present.
- For a grounded appliance, connect to a properly grounded outlet only. See "Grounding Instructions"

**SAVE THESE INSTRUCTIONS**

# SERVICE INFORMATION

To obtain consistent performance over the life of your Kent equipment, read through these instructions and save them for future reference. If you require service, contact the dealer from which the machine was purchased or an authorized service station. Always refer to your limited warranty for complete service information.

<b>THE KENT CO.</b> ELKHART, INDIANA U S A			
SERIAL NO		MODEL	
VOLTS		PHASE	Hz.
MOTOR 1	AMP	H.P.	
MOTOR 2	AMP	H.P.	

The model, type, and serial number are indicated on the data plate located on the steel panel, inside the battery compartment. For prompt and accurate information, refer to these numbers when inquiring about service.

**Write the model and serial number of your unit in the space provided. Refer to the rating plate on unit.**

**MODEL #                      SERIAL #**

**Retain this owner's manual for future reference.**

# GENERAL INFORMATION

BEFORE YOU PLUG IN YOUR TANK VACUUM, check the voltage on the data plate located on the vacuum near the power switch to check if it agrees within 10% of the voltage available (see "Data Plate"). Connect only to a grounded (3-wire) electrical outlet. DO NOT OIL. The motor in your vacuum is permanently lubricated and sealed. Do not oil the motor at anytime.

# GROUNDING INSTRUCTIONS

This appliance must be grounded. If it should malfunction or break down, grounding provides a path of least resistance for electric current to reduce the risk of electric shock. This appliance is equipped with a cord having an equipment-grounding conductor and grounding plug. The plug must be plugged into an appropriate outlet that is properly installed and grounded in accordance with all local codes and ordinances.

**Note:** In Canada, the use of a temporary adapter is not permitted by the Canadian Electric Code.

# WARNING

Improper connection of the equipment-grounding conductor can result in a risk of electric shock. Check with a qualified electrician or service person if you are in doubt as to whether the outlet is properly grounded. Do not modify the plug provided with the appliance - if it will not fit the outlet, have a proper outlet installed by a qualified electrician. If this appliance is for use on a nominal 120-volt circuit, it has a grounded plug that looks like the plug illustrated in Figure A. The temporary adapter that looks like the adapter illustrated in Figure B may be used to connect this plug to a 2-pole receptacle as shown if a properly grounded outlet is not available. The temporary adapter should be used only until a properly grounded outlet (Figure A) can be installed by a qualified electrician. The green colored rigid ear, lug, or the like extending from the adapter must be connected to a permanent ground such as a properly grounded outlet box cover. Whenever the adapter is used, it must be held in place by a metal screw

If this appliance is for use on a nominal 230-volt circuit it has a grounded plug that looks like the plug illustrated in Figure C. No adapter should be used with this type of plug.

Make sure that the appliance is connected to an outlet having the same configuration as the plug.

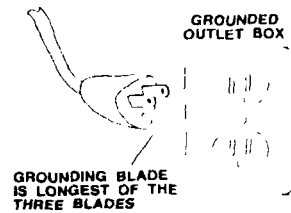


Figure A

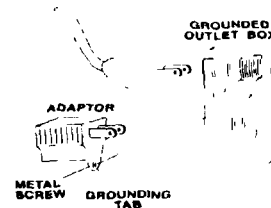


Figure B

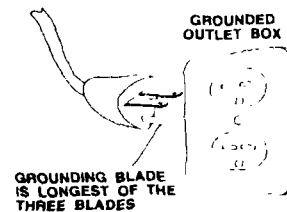
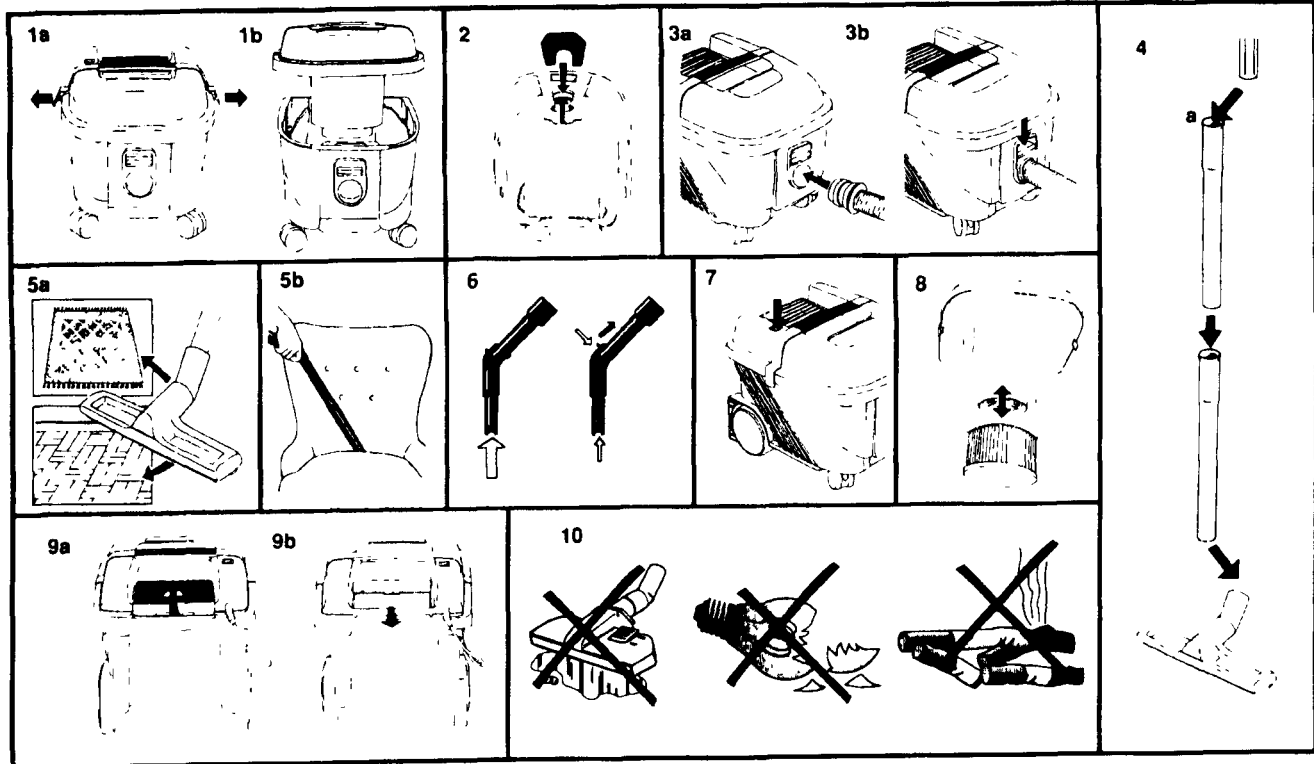


Figure C

# HOW TO USE YOUR VACUUM



## 1 To open

- a) Pull the fasteners on the cover outwards.
- b) Lift the cover from the container.

## 2 Dust bag

Fit the opening on the dust bag over the air inlet. Press the membrane over the flanged edge on the inlet. Secure with the lock washer. Use only original dust bags.

## 3 Hose connection

- a) Press the hose into the opening until it clicks.
- b) Unlock the hose by pressing down on the catch above the opening.

## 4 Wand assembly

To connect the wand sections together, simply insert one section into the other, giving the two assembled sections a firm push.

## 5 Tools

The accessories shown in the pictures above may vary from model to model.

- a) Universal nozzle for both hard floors and carpets
- b) Crevice tool designed for cleaning in narrow spaces like furniture, radiators, corners, and joints.

## 6 Suction control

The suction control in the hose handle lets you regulate the air-flow to prevent the nozzles from fastening to the surfaces you are vacuum cleaning.

## 7 Start / Stop

## 8 Pleated paper filter

Makes operating without a bag possible. Check the filter when you empty the container. Change or clean if it is clogged.

## 9 Exhaust filter

- a) Lift the grill at the back edge.
- b) Pull it outwards.

Replace the used filter and snap the grill back in place.

## 10 Warning

Never attempt to vacuum liquid, glass fragments or ashes! Wet surfaces can expose the operator to possible electrical shock.

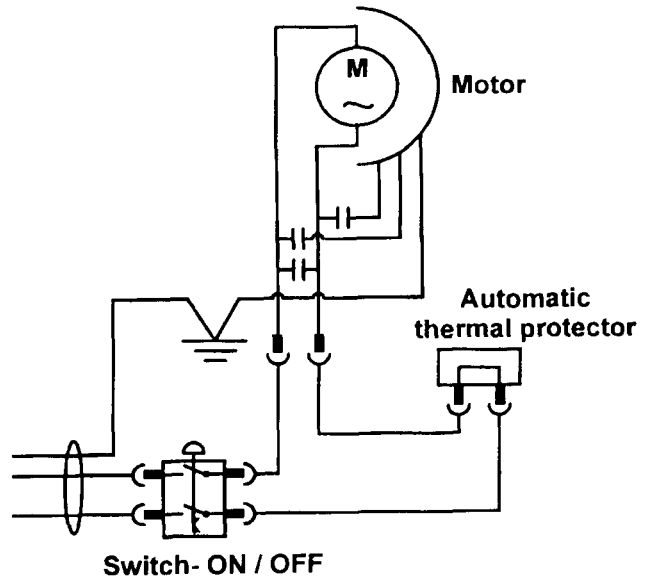
# WIRING DIAGRAM

## IMPORTANT!

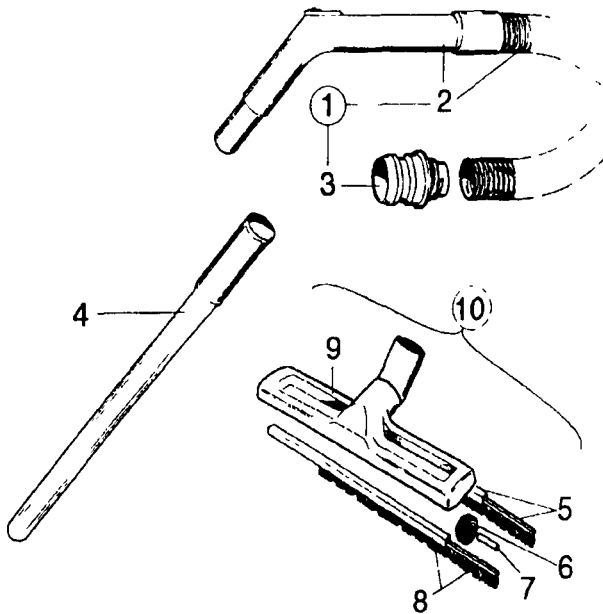
The KT-2.6 is equipped with a specially designed cable, which if damaged, must be replaced by a cable of the same type. These cables are available at authorized service shops and must be installed by trained personnel.

The KT-2.6 is equipped with a thermal cut-out to protect the motor and other vital machine parts from overheating. Should the machine cut out, you will have to wait at least 5-10 minutes for it to automatically reset. While you are waiting, switch the machine off and unplug it, then check the hose, dust bag and filters to be sure that nothing is blocking the flow of air through the machine.

**Remove the plug from the socket before performing service or maintenance.**

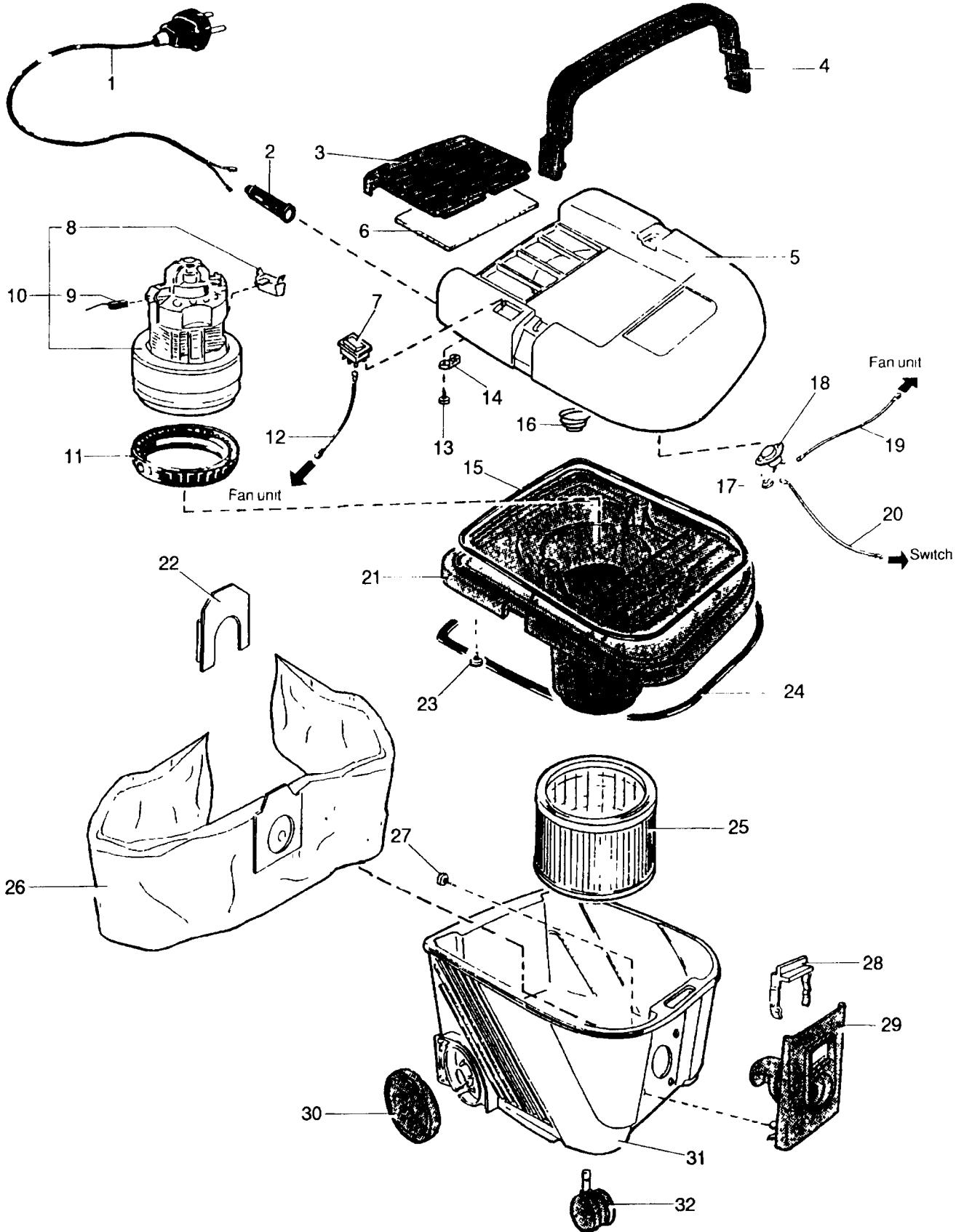


# SPARE PARTS LIST



Det. No.	Part No.	Description	Qty.
1	1406675000	ASM,HOSE—COMPLETE	1
2	1406881000	HOSE AND HANDLE	1
3	1403304020	SLEEVE,INLET—HOSE	1
4	0116431040	EXTENSION TUBE—19.5IN	2
5	1408742000	BRUSH STRIP—REAR	1
6	1408743000	WHEEL—FLOOR TOOL	2
7	1408744000	SHAFT—FLOOR TOOL	2
8	1408741000	BRUSH STRIP—FRONT,FLOOR TOOL	1
9	1408740000	TOOL,FLOOR—TOP	1
10	1406700010	TOOL,FLOOR—CARPET/HARD FLOOR	1

# SPARE PARTS LIST



Det. No.	Part No.	Description	Qty.	Det. No.	Part No.	Description	Qty.
1	E35840-1	CORD,POWER—18-3,SJT,BLK,30'	1	17	1406843000	SCREW—	1
2	1407035000	SLEEVE,PROTECTION—STRAIN RELF	1	18	1403894000	THERMO SWITCH—	1
3	1406873000	COVER,EXHAUST FILTER—GRATING	1	19	1407040110	ASM,WIRE—VAC MOTOR	1
4	1406872000	HANDLE,CARRYING—	1	20	1407040030	ASM,WIRE—SWITCH	1
5	1406871000	COVER, TOP—KT-2.6	1	21	1406870000	HOUSING—MOTOR ENCLOSURE	1
6	1406879000	DIFFUSER—AIR EXHAUST	1	22	1406744000	LOCK,PAPER BAG—PLASTIC	1
7	1405496000	SWITCH,DPST,ROCKER	1	23	1409214070	SCREW,PTK 5014—	6
8	N/A	SUPRESSOR	1	24	1406875000	GASKET—TANK TOP	2
9	0018619110	CARBON BRUSH—	2	25	1406880000	FILTER,CARTRIDGE—PLEATED	1
10	1407902510	MTR,VAC—115V,NBP,2-STG	1	26	1406905020	PAPER BAG—PAC OF 10	1
11	0111548000	SUSPENSION RING—	1	27	1409214000	SCREW—	4
12	1407040080	ASM,WIRE—VAC MOTOR	1	28	1406411000	LOCK CLIP,HOSE—	1
13	1409214040	SCREW,PTK 4014—	2	29	1406409000	INLET,HOSE—	1
14	0561014060	ANTI-STRAIN CLIP—	1	30	0115840030	WHEEL—4.5 IN. DIA	2
15	1406876000	GASKET—COVER, TOP	1	31	1406408000	HOUSING,TANK—	1
16	1407016000	SPRING—	2	32	1406422000	WHEEL,CASTOR—2.0 IN. DIA	2

# THE KENT LIMITED WARRANTY

Your Kent equipment which has been manufactured, tested, and inspected in accordance with carefully specified engineering requirements, is warranted to be free from defects in material and workmanship. This warranty is, however, subject to the following qualifications, conditions, and limitations which are set forth to provide you and all users of the equipment with information concerning the duration, extent, availability, and applicability of the Kent limited warranty, the procedure to be taken to obtain its performance, and other information concerning the Kent warranty policy.

## **The Kent Limited Warranty is extended to the original end user as follows**

All Kent cord electric machines with the exception of upright and two motor upright vacuums have a three year warranty on parts and one year labor coverage. Upright and two motor upright vacuums have a one year parts and labor warranty (except the Duravac 15 which has a two year parts one year labor warranty). Motor and gear unit assemblies on 175 RPM Floor Machines carry a warranty of five years. Poly components carry a ten year replacement warranty with one year service labor. This warranty will not cover damage attributable to the following:

- Improper, unreasonable or negligent use or abuse of the equipment
- Use of the equipment with hot water (over 120 deg F, 49 deg C)
- "Warpage", "Creepage", or "Distortion" of the part so long as the same does not interfere with normal operation
- Abrasions or punctures of the equipment

The start date of the warranty coverage shall be the date the machine was shipped from the factory, or with proof of purchase, the purchase date of the original end user. The start date of the warranty shall not exceed one year from the ship date from the factory.

## **Parts of Kent Equipment not covered by the Kent Limited Warranty**

Certain parts of Kent Equipment require replacement in the ordinary course of use due to normal wear by reason of their characteristics. These are normal wear items such as cords, squeegee blades, belts, gaskets, bumpers, carbon brushes, filters, hoses, bags, padholders, brushes, etc.

## **Exceptions and Exclusions from Warranty**

This equipment is required to be used on electric current as indicated on the dataplate. Otherwise damage, defects, malfunctions or other failures of the equipment arising from the use on electric current not as indicated are excepted and excluded from this warranty. Defects, malfunctions, failure, or damage of the equipment caused by improper care, unreasonable or negligent use or abuse of the equipment are likewise excluded from this warranty. If repair is done to the equipment by anyone other than those designated as authorized to perform such work without having obtained factory authorization in writing, the Kent Company at its sole option, may determine that this warranty will not apply and that reimbursement for such repair will not be made because of the failure to comply with such factory instructions.

## **Procedure to be taken to obtain performance of warranty repair**

To secure repair of the equipment or any warranted parts under this warranty, the following procedure must be taken. The inoperative equipment or warranted parts together with satisfactory evidence of the purchase date, must be delivered, with shipping and delivery charges prepaid, to one of the following:

- The dealer from whom purchased
- Any Kent distributor's service department in the United States
- Any Kent authorized service station in the United States

If you are unable to locate any of the foregoing, you may write or otherwise communicate with The Kent Company for instructions before repair service is performed by anyone else. In such event, The Kent Company will provide either the location of a Kent authorized service department or other factory instructions. In the event that no local service department is available, Kent at its discretion will repair or replace the part or equipment at the factory, the products will be returned to the owner freight prepaid. No warranty will be honored without proof of purchase, the model number, and serial number if applicable.

## **Replacement**

In the event of a defect, malfunction, or failure of your Kent equipment or any warranted part to conform with this warranty, The Kent Company may, at its sole option and own expense, replace the equipment or any warranted part with another new identical or reasonably equivalent model or part in lieu of repairing the defect.

## **No refund of purchase price**

The Kent Company will not, as a matter of its warranty policy, refund the customer's purchase price.

## **Warranty registration**

Your Kent Company distributor from whom you purchased your equipment is responsible for the registration of your warranty with the factory. We ask that you cooperate with your distributor in supplying the necessary information on the warranty card so that we may better serve you. Any information or questions that you may have concerning your Kent equipment or this warranty may likewise be secured from the factory. This warranty gives you specific legal rights, and you may also have other rights which vary from state to state.