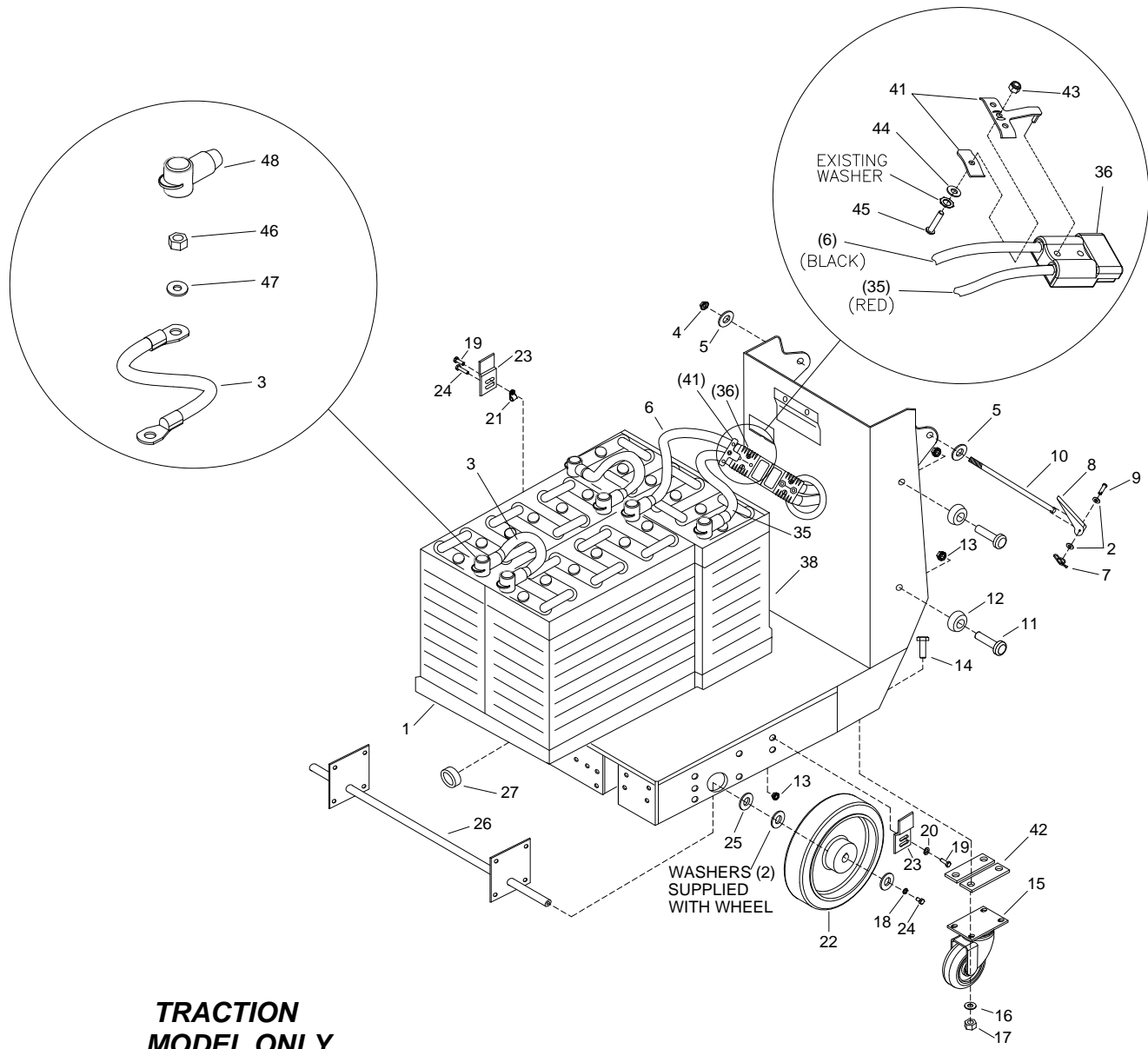
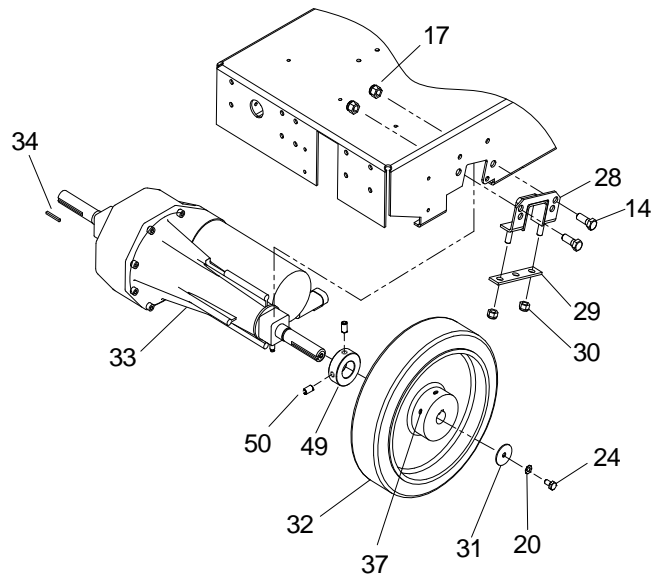


CHASSIS/DRIVE ASSEMBLY



TRACTION MODEL ONLY

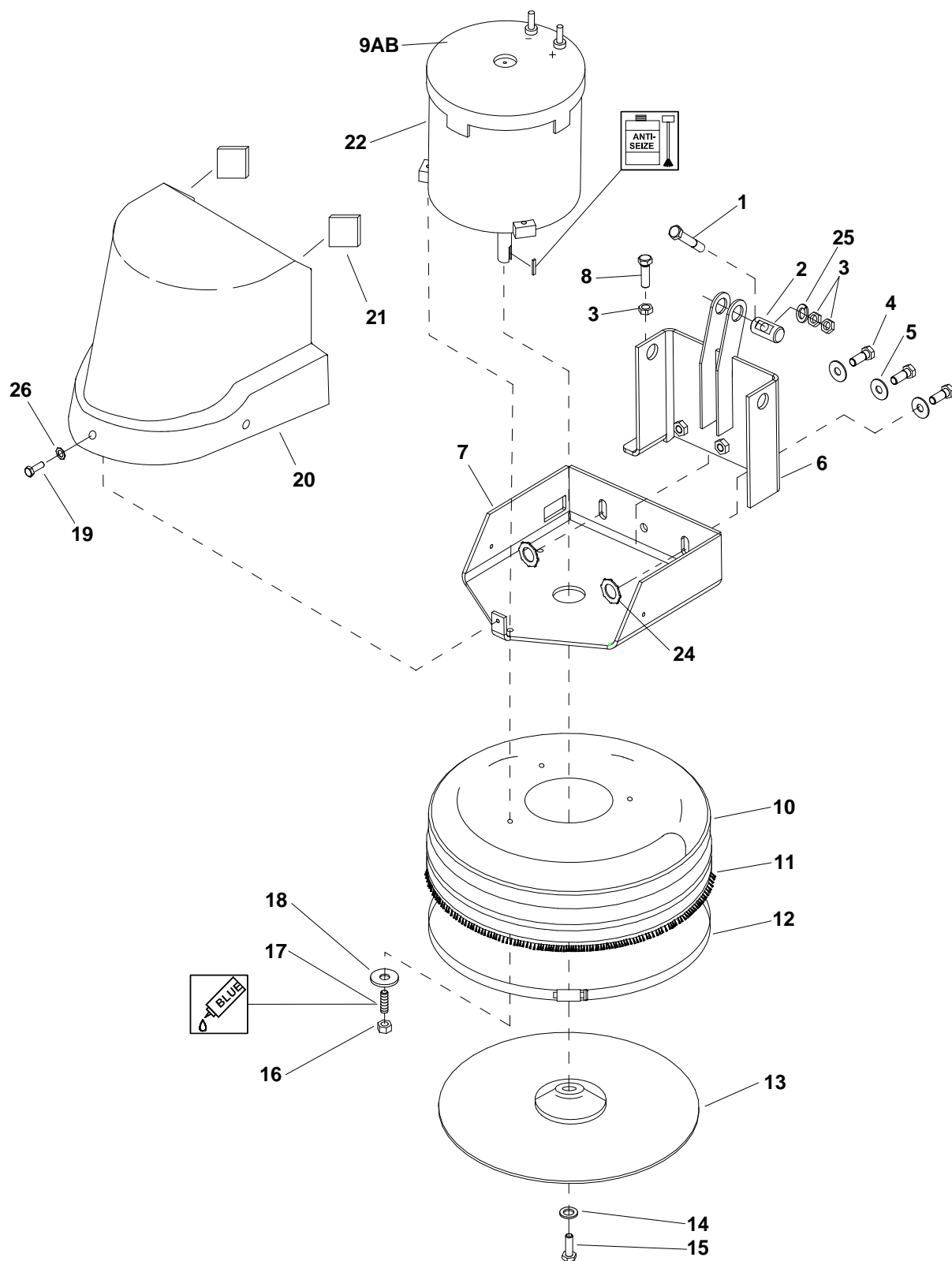


CHASSIS/DRIVE ASSEMBLY

REF	PART NO.	PRV NO.	QTY	DESCRIPTION	SERIAL NO. FROM	NOTES:
1	86064590	78231	1	TRAY, BATTERY		
2	86010650	87018	2	WASHER, #10 X 9/16OD		
3	86009000	81131	2	WIRE 4X9.5BK 5/16 RING X 5/16 RING		
4	86270880	57032	1	NUT, 3/8-16 SERRATED FLG		
5	86010710	87080	2	WASHER, .5 X 1.25 FLAT		
6	86010860	880353	1	WIRE, 4X20 BK CTERM X 5/16 RING		
7	86008650	80604	1	COTTER, 1/4" RING		
8	86246320	51142	1	LEVER, HANDLE LOCK		
9	86272300	66133	1	PIN, CLEVIS 3/16" X 7/8" L		
10	86252020	67438	1	ROD, HANDLE ADJUSTMENT		
11	86006670	70201	4	SCR, 1/4-20 X 3/4 FHCS		
12	86264500	73454	4	SPACER, MAIN COVER		
13	86005710	57105	16	NUT, 1/4-20 HEX W/ STAR WASHER		
14	86006740	70266	8	SCR, 3/8-16 X 1" HHCS GR5 PLTD DL		
15	86002290	18027	1	CASTER, 4" POLYURETHANE SWIVEL		
16	86278910	87003	4	WASHER, 3/8ID X 7/8OD SS		
17	86005770	57119	8	NUT, 3/8-16 HEX NYLOCK		
18	86278940	87008	2	WASHER, 1/4 ID X 1 1/4 OD PLT		
19	86273830	70020	3	SCR, 1/4-20 X 1/2 HHCS SS DL		
20	86010780	87162	2	WASHER, 1/4 SPLIT LOCK		
21	86233390	80887	1	CLAMP, 7/8 DIA "P" CUSHIONED		
22	86259860	89221	2	WHEEL, 10" X 2.5 X .75" BLK		
23	86073100	14730	2	BRKT, BATTERY RETAINER		
24	86273780	70015	13	SCR, 1/4-20 X 3/4 HHCS SS DL		
25	86279530	87173	2	WASHER, .765 ID X 1.31 OD X .09 T		
26	86091410	05148	1	AXLE, BATTERY BURNISHER		
27	86238400	36125	1	GROMMET, 3/4ID X 1.38OD		
28	86095600	89105	2	WELDMENT, BRKT AXLE SUPPORT		
29	86223120	66333	2	PLATE, TRANSAXLE MOUNTING		
30	86005750	57113	4	NUT, 5/16-18 HEX NYLOCK		
31	86278940	87008	2	WASHER, 1/4 ID X 1-1/4 OD PLTD		
32	86259850	89205	2	WHEEL, 10" X 2.5" X .75 GRAY		
33	86315130	-	1	TRANSAXLE, 36VDC		*(7)
33A	86288820	140592	-	BRUSH SET, TRANSAXLE 78434CCL		SERVICE ONLY
34	86270440	48008	2	KEY, 3/16 X 1.75		
35	86010850	880352	1	WIRE, 4 X 20 RD CTERM X 5/16 RING		
36	86008760	80682	1	CONNECTOR, BATTERY GRY 175AMP		
37	86277960	70251	2	SET SCR, 1/4-20 X 1.0 PLTD DL		
38	86228410	10023	REF	BATTERY, 12V, 205AH		3 REQ'D
39	86260370	880153	REF	CHARGER ADAPTER, 36V, C175 TO C50		(OPTIONAL) NOT SHOWN
40	86284090	02456	REF	CHARGER, 36V, 20A, 115V, C175		NOT SHOWN
41	86233360	28038	1	CLAMP, CABLE KIT SY945		
42	86081870	62844	2	PLATE, TRANSAXLE SPACER	1000157251	TRACTION MODELS ONLY
43	86270890	57034	1	NUT, ACORN # 10-32		
44	86010650	87018	1	WASHER, #10 X 9/16 O.D.		
45	86273980	70066	1	SCR, 10-32 X 3/4 PPHMS		
46	86271910	57295	6	NUT, 5 /16-18 FLEXLOCK		
47	86010670	87029	6	WASHER 5/16 FLAT SS		
48	86008920	80889	6	BOOT, RUBBER TERM. ISOLATOR		
49	86316840	-	2	COLLAR SET .341 WX		*(7)
50	86006550	70074	4	SETSCR, 10-32 X 1/4 KCP		*(7)

* SEE SERIAL NUMBER PAGE

DECK LIFT MECHANISM

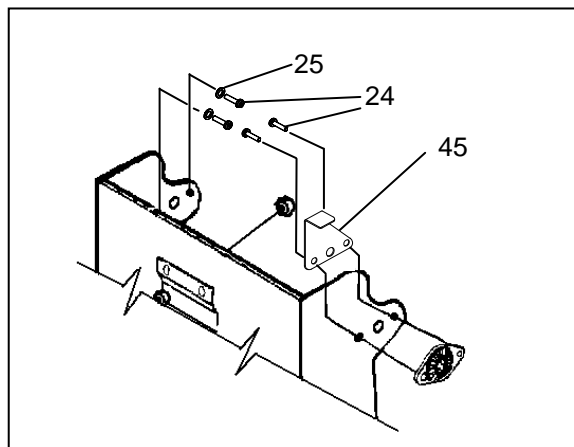
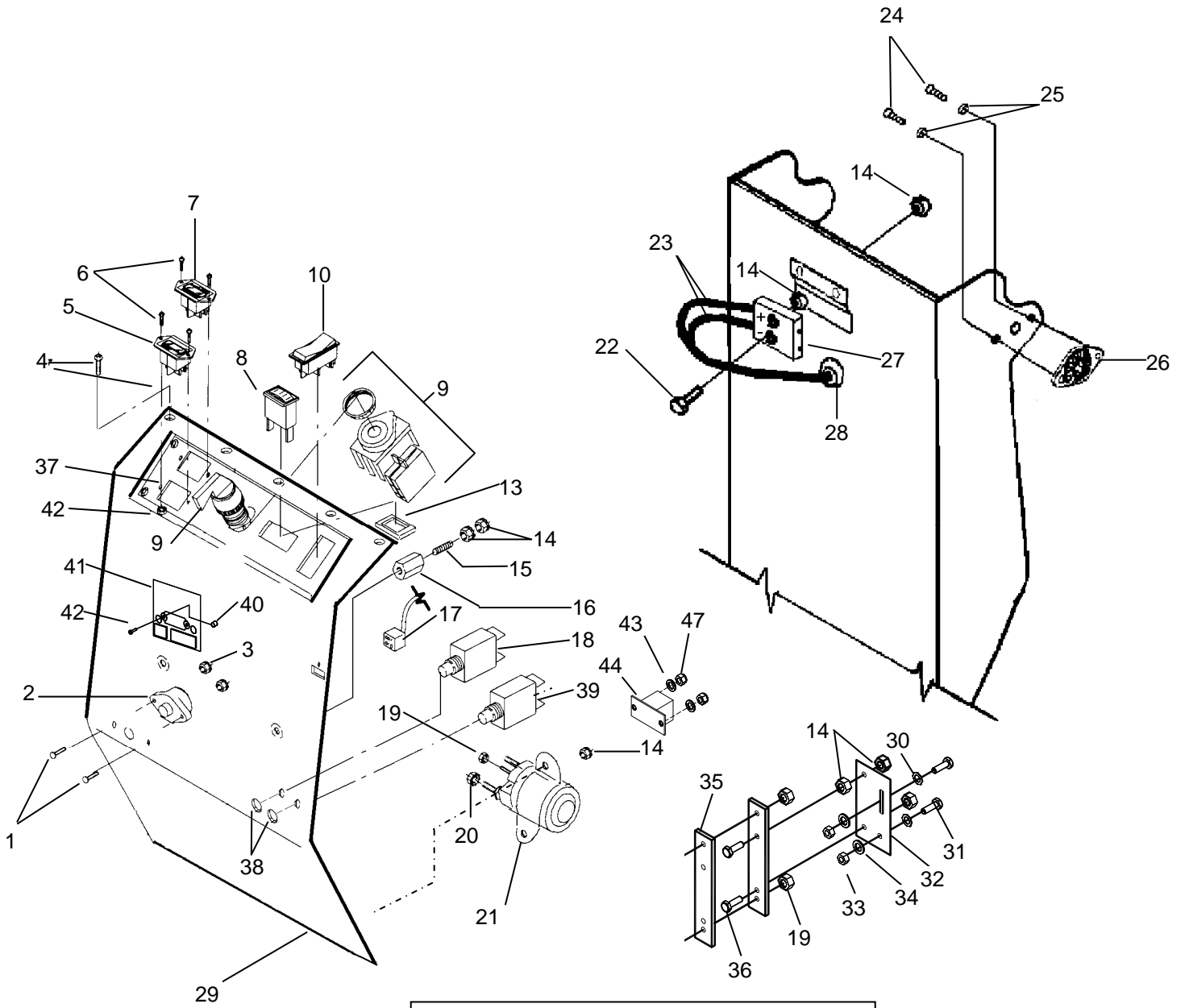


DECK LIFT MECHANISM

REF	PART NO.	PRV NO.	DESCRIPTION	SERIAL NO. FROM	NOTES:
1	86273730	70006	SCR, 3/8-16 X 2.5 HHCS SS		
2	86264010	140425	BUSHING, BURNISHER	*(2)	
3	86005690	57085	NUT, 3/8-16 HEX JAM		
4	86006740	70266	SCR, 3/8-16 X 1" HHCS GR5 PLT		
5	86278910	87003	WASHER, 3/8 ID X 7/8 OD SS		
6	86093250	54177	MOUNT BRKT, BURNISHER	*(2)	
7	86069420	140426	BRKT, DECK MOUNT	*(2)	
8	86275190	70377	SCR, 3/8-16 X 1.25 HHCS BR5 PLT		
9A	86285750	14728	BRUSH SET, L2020B W/WEAR END	*(3)	OHIO MOTOR
9B	86001360	140394	BRUSH SET, CCL MOTOR	*(3)	WINDSOR MOTOR
10	86007300	730019	SHROUD, BATT BURN L20		
11	86007290	730017	SKIRT, BURNISHER SHROUD		
12	86002410	20077	CLAMP, WORM #HS356		
13	86248270	64105	PAD DRIVER ASSEMBLY 20"		
14	86279210	87102	WASHER, 5/4 ID X 1-1/4 OD		
15	86274590	70244	SCR, 5/16-24 X 1/2 HHMS SS		
16	86005710	57105	NUT, 1/4-20 HEX W/STAR WASHER		
17	86006850	70393	SET SCR, 1/4-20 X 1.25L		
18	86278940	87008	WASHER, 1/4 ID X 1-1/4OD PLTD		
19	86006800	70361	SCR, 10-32 X 1/2 PHTR PLT		
20	86063470	27427	COVER, L2020B MTR COVER		
21	86237530	35187	GASKET, TUBE SEAL		
22	86005380	53643	MOTOR, 36VDC 2.5HP 2500RPM		
23	86005170	51340	LOCK, PAD DRIVER L/H BIG MOUTH		SERVICE ONLY
24	86279220	87104	WASHER, 1/2 EXT. STAR		
25	86010790	87163	WASHER, 3/8 SPLIT LOCK		
26	86010640	87016	WASHER, #10 LOCK EXT STAR SS		

*SEE SERIAL NUMBER PAGE

ELECTRICAL CONTROLS



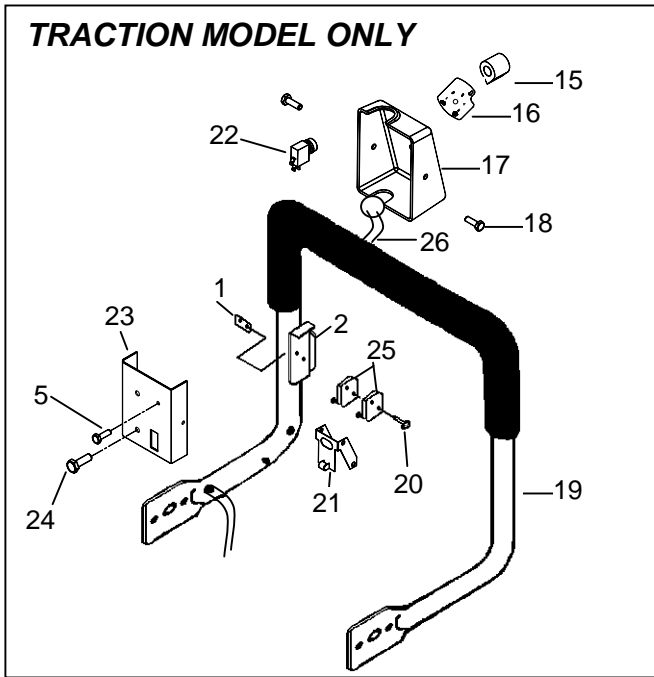
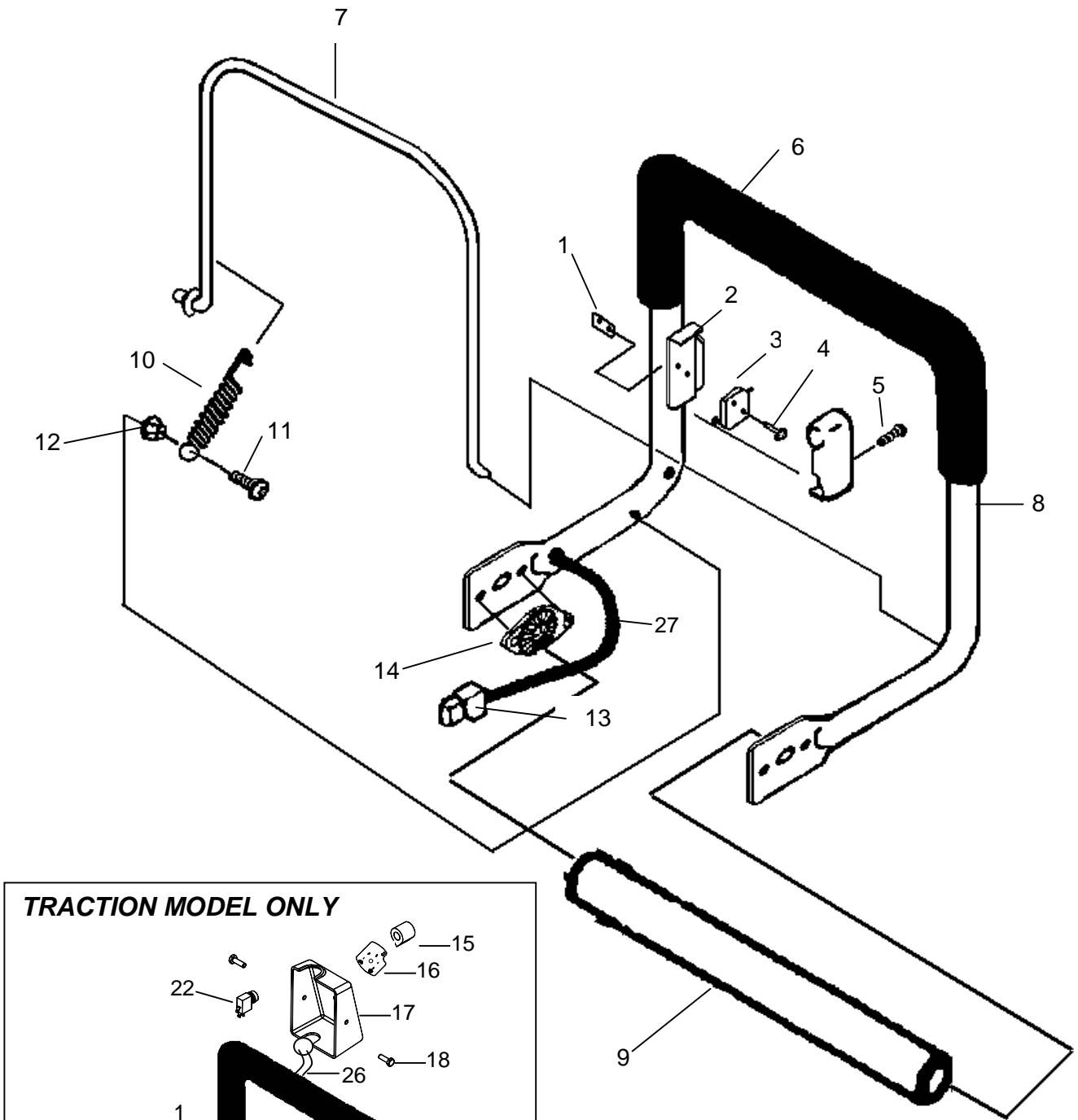
TRACTION ONLY

ELECTRICAL CONTROLS

REF	PART NO.	PRV NO.	QTY	DESCRIPTION	SERIAL NO. FROM	NOTES:
1	86006490	70013	2	SCR, 8-32 X 3/4 PPHMS		
2	86001230	140182	1	BREAKER, CIRCUIT 60AMP THERMAL		
3	86270850	57026	2	NUT, 8-32 HEX NYLOCK		
4	86006870	70406	8	SCR, #10B X 3/8 PHSM BLK		
5	86246890	54092	1	METER, 0-60VDC HOUR		
6	86275230	70394	4	SCR, 6-32 X 1/2 THMS BLK ZINC		
7	86246930	54144	1	METER, 36V BATTERY CHARGE LEVEL		
8	86246920	54131	1	METER, 0-70AMP DC		
9	86007170	72159	1	SWITCH KEY TWO POSITION		
10	86007130	72128	1	SWITCH, DPDT 2-POSITION ROCKER	*(6)	
11	-	-	-	OPEN		
12	-	-	-	OPEN		
13	86249290	62283	1	PLATE, METER RETAINING		
14	86005710	57105	12	NUT, 1/4-20 HEX W/ STAR WASHER		
15	86006850	70393	1	SET SCR, 1/4-20 X 1.25L		
16	86255910	73659	1	STANDOFF, 1/4-20 X 1.0 HEX INS		
17	86233840	27554	1	CONN., MOLEX 6-PIN RECEPT. (M)		
18	86002000	14717	1	BREAKER, 3 AMP		
19	86005700	57104	4	NUT, 10-32 W/ STAR WASHER PLTD		
20	86271080	57117	2	NUT, 5/16-24 HEX PLTD		
21	86006370	67315	1	RELAY, 36VDC 100AMP HVY DUTY		
22	86273740	70010	2	SCR, 1/4-20 X 1.5 HHCS		
23	86260270	81365	2	WIRE, 4 X 24.5 BK C.TERM X 5/16 RING		
24	86006680	70228	4	SCR, 10-32 X 1/4 PPHMS SS DL		
25	86010650	87018	4	WASHER, #10 X 9/16OD		
26	86005020	51184	2	LOCK, HANDLE ADJUSTMENT		
27	86008760	80682	1	CONNECTOR, BATTERY GRV 175 AMP		
28	86226540	36020	1	GROMMET, 5/8ID X 1.12OD		
29	86078230	66325	1	PANEL, ELECTRIC		
30	86279020	87026	2	WASHER, #6 LOCK EXT STAR SS		
31	86276250	70615	2	SCR, 6-32 X 3/8 SRHMS BR		
32	86253600	73445	1	SHUNT, 50MV 70 AMP		
33	86271790	57256	2	NUT, 6-32 HEX BRASS		
34	86279600	87187	2	WASHER, #6 FLAT BRASS		
35	86230370	14729	2	BRKT, SHUNT MOUNTING		
36	86006670	70201	2	SCR, 1/4-20 X 3/4 FHCS		
37	86242730	500184	1	LABEL, BURNISHER PANEL		
38	86270840	57024	2	NUT, 3/8-27 PANEL PLTD		
39	86001980	14700	1	BREAKER, 15A CIRCUIT	*(1)	TRACTION
40	86254440	73734	2	SPACER, .166ID X .313OD X .375L AL		TRACTION
41	86234010	27579	1	CONTROLLER, 36VDC 1.8 SEC DELAY		TRACTION
42	86005760	57116	6	NUT, 6-32 W/ STAR WASHER PLTD		TRACTION
43	86279450	87161	2	WASHER, #6 FLAT SAE PLTD	*(3)	TRACTION
44	86031570	67496	1	RELAY ASM, 24VDC 40A	*(3)	TRACTION
45	86072550	14425	1	BRKT, HANDLE STOP		TRACTION
46	86009780	82488	1	KEY, ROTARY IGN. SWITCH		SERVICE ONLY
47	86270920	57049	2	NUT, 6-32 HEX NYLOCK SS	*(3)	TRACTION

**CALL MANUFACTURER FOR SERIAL NUMBER.

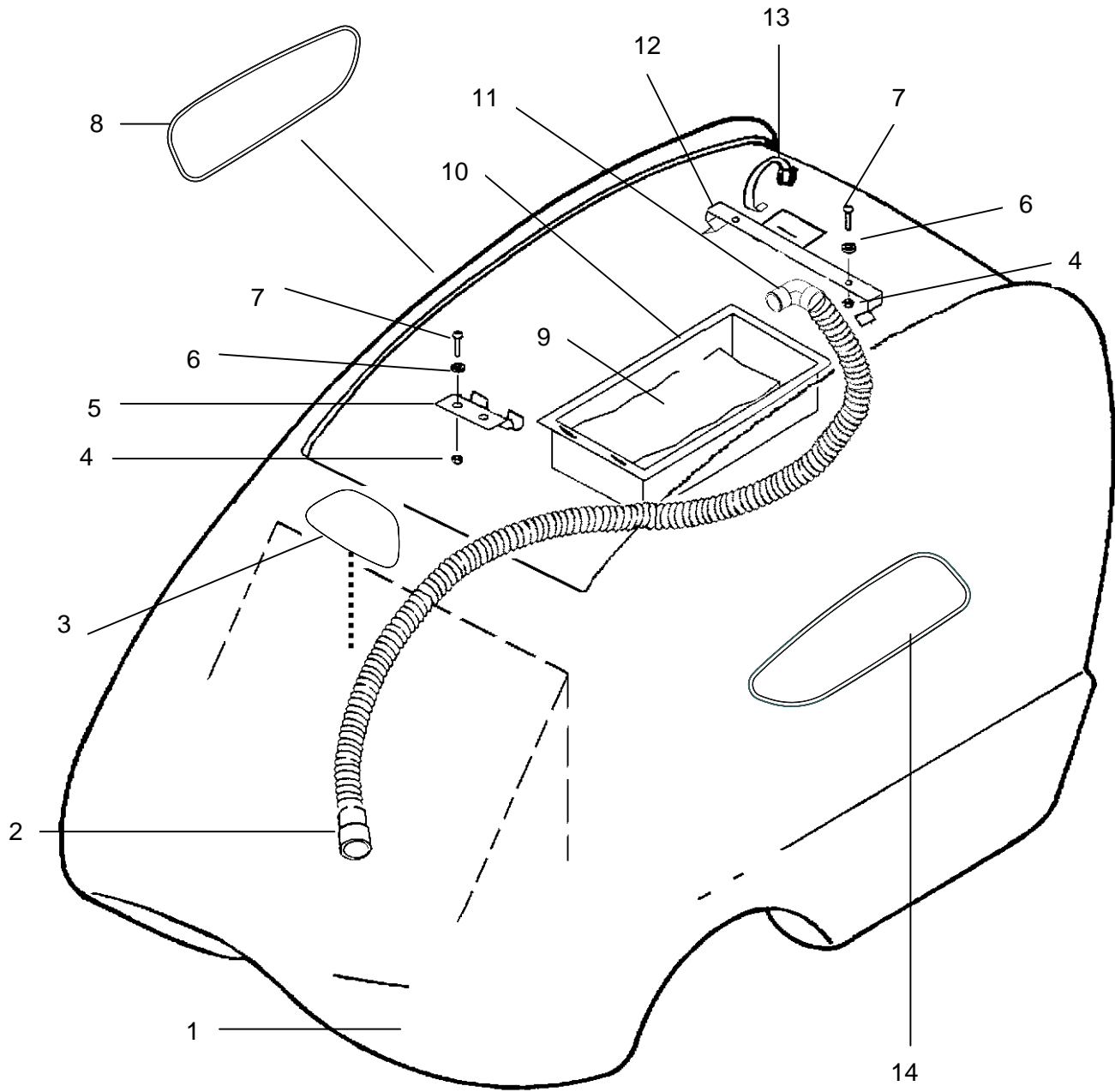
HANDLE ASSEMBLY



HANDLE ASSEMBLY

REF	PART NO.	PRV NO.	DESCRIPTION	SERIAL NO. FROM	NOTES:
1	86247850	57247	NUT, PLATE SWITCH MOUNTING		
2	86063480	27438	COVER, SWITCH		
3	86007100	72093	SWITCH, 125VDC SPST N.O.		
4	86275260	70407	SCR, 4-40 X 1/2 PPHMS		
5	86274850	70309	SCR, 6-32 X 1/4 HHTC -F- PLTD		
6	86238320	36200	GRIP, FOAM .75ID X .27W X 21.0		
7	86091490	14393	BAR, SWITCH ACTUATOR		
8	86092790	41376	HANDLE, PUSH BATT BURN		
9	86089500	78445	TUBE, HANDLE ADJUSTMENT		
10	86255110	73450	SPRING, SAFETY SWITCH		
11	86275200	70383	SCR, 10-32 X 3/4 PHTR PLTD		
12	86005700	57104	NUT, 10-32 W/ STAR WASHER PLTD		
13	86233840	27554	CONN, MOLEX 6 PIN RECEPT.		
14	86005020	51184	LOCK, HANDLE ADJUSTMENT		
15	86242020	48043	KNOB, SPEED CONTROL		
16	86242740	500185	LABEL, BURNISHER SPEED CONTROL		
17	86063780	27878	COVER, SWITCH		
18	86006790	70351	SCR, 10-32 X 3/8 HHTR W/ STAR		
19	86092780	41375	HANDLE, TRACTION BATT BURN		
20	86276010	70580	SCR, 4-40 X 1.0 PPHMS		
21	86227000	05126	ACTUATOR, TANDEM SWITCH		
22	86257030	72168	SWITCH, MOMENTARY, DPST		
23	86082790	66332	PLATE, SWITCH GUARD		
24	86006790	70351	SCR, 10-32 X 3/8 HHTR W/ STAR		
25	86257010	72158	SWITCH, 10A PLUNGER MINI		
26	86238920	41372	HARNESS, BATT BURN CONTROLLER		TRACTION ONLY
27	86238910	41371	HARNESS, BATT BURN PUSH		

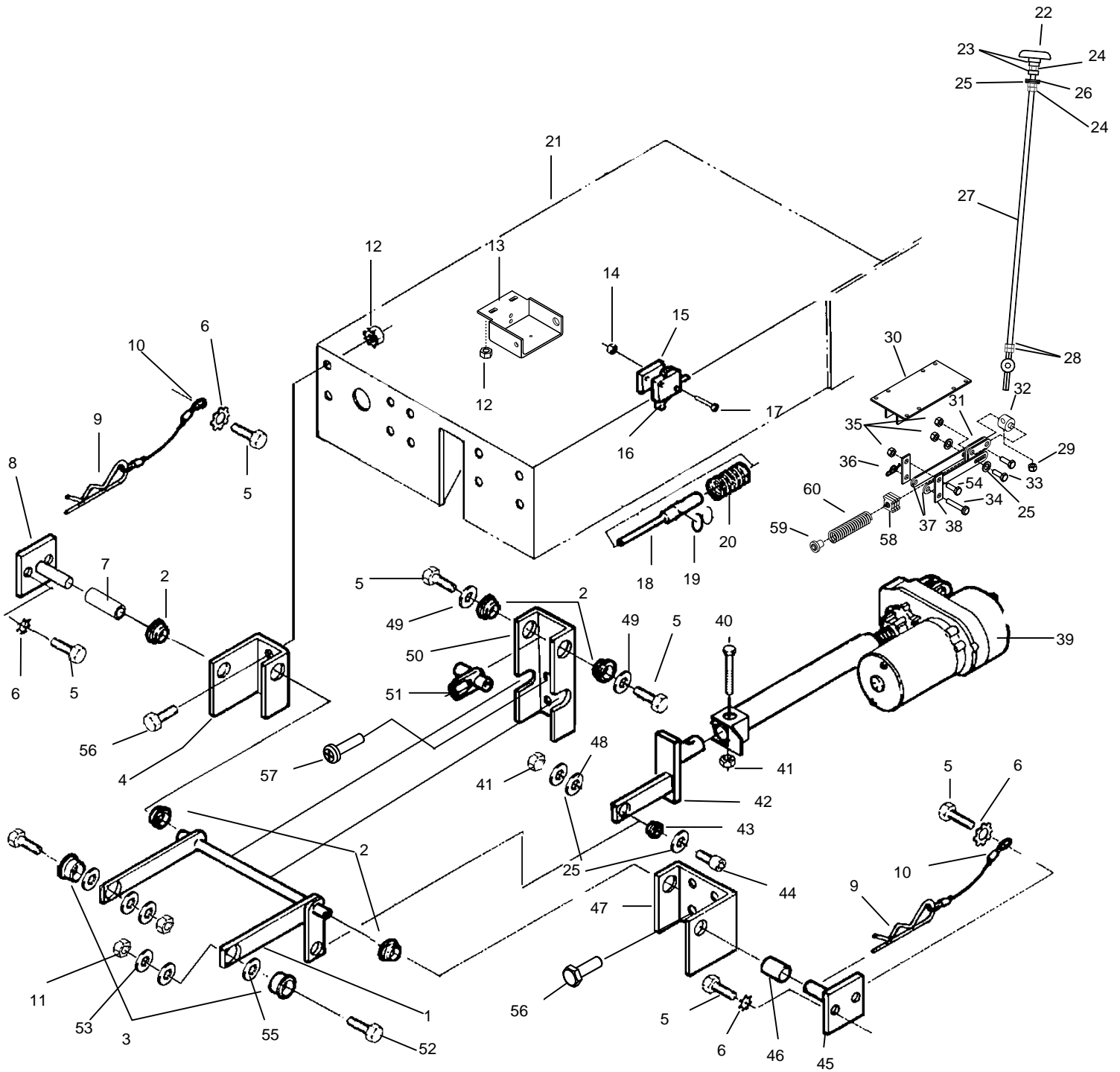
HOOD GROUP



HOOD GROUP

REF	PART NO.	PRV NO.	QTY	DESCRIPTION	SERIAL NO. FROM	NOTES:
1	86063810	27886	1	COVER, BATT BRNSHR DRK BLU		
2	86003010	27759	1	CUFF, HOSE 1.5" C BLK A 2161		
3	86245790	50941	1	LABEL, WINDSOR LOGO		
4	86005700	57104	4	NUT, 10-32 W/STAR WASHER PLTD		
5	86072510	14399	1	BRKT, FILTER COVER HINGE		
6	86010650	87018	4	WASHER, #10 X 9/16OD		
7	86275470	70484	4	SCR, 10-32 X 5/8 PPHMS SS		
8	86242790	500201	1	LABEL, MAIN L20/L20T RIGHT		
9	86284870	2003SM	1	SM FILTER BAGS, 10/PKG		
10	86063790	27880	1	COVER, FILTER		
11	86004380	39550	1	HOSE ASM, 1.5 BLK VAC X 50		
12	86072500	14398	1	BRKT, FILTER COVER LATCH		
13	86002380	20046	1	CLAMP, 2.25" WORM GEAR		
14	86242800	500202	1	LABEL, MAIN L20/L20T LEFT		

LIFT LINKAGE GROUP



NOTE: If the actuator is replaced, this distance (A) should be equivalent to one full turn of actuator barrel for traction models and two turns on non-traction models..

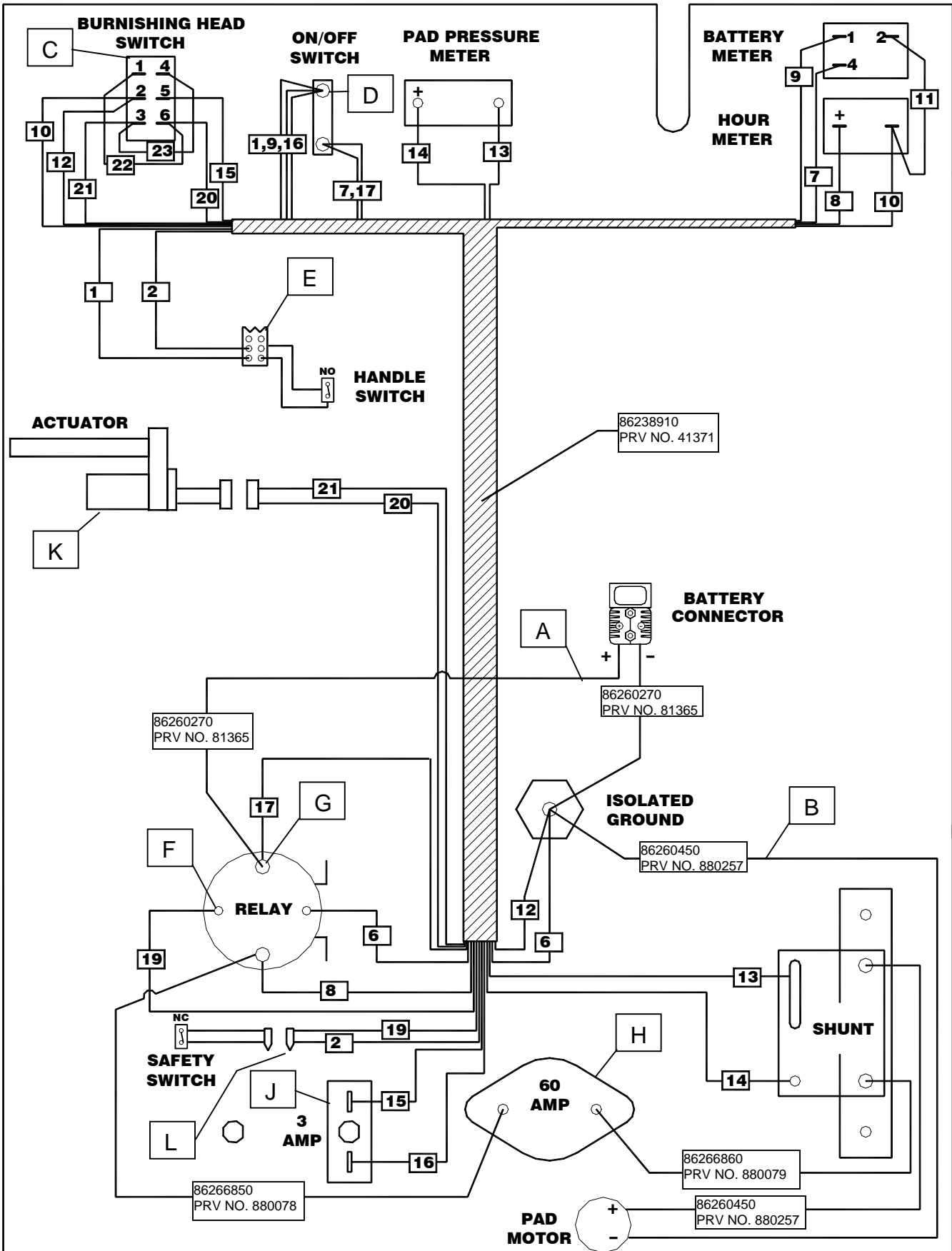
The diagram shows a side view of the actuator barrel. A double-headed arrow labeled 'A' indicates the distance from the end of the barrel to the point where the linkage arm is attached. The text 'Actuator Barrel' is written to the right of the diagram.

LIFT LINKAGE

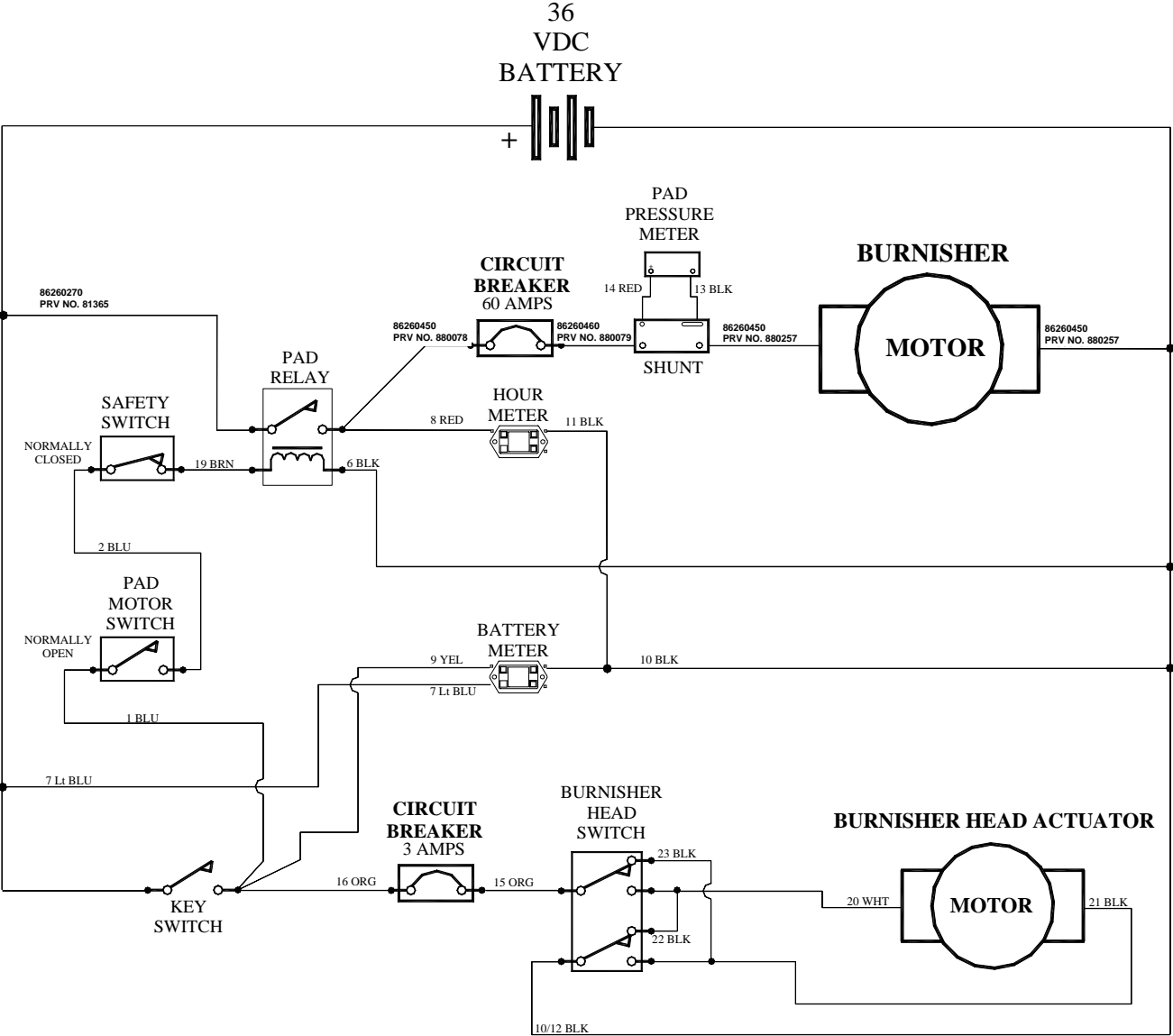
REF	PART NO.	PRV NO.	QTY	DESCRIPTION	SERIAL NO. FROM	NOTES:
1	86093110	51333	1	LINKAGE, DECK LIFTING		
2	86001990	14708	5	BUSH, BRZ FLG .51 X .75 X .25		
3	86231300	14593	2	BUSH, BRZ FLG .50 X .75 X .75		
4	86073080	14706	1	BRKT, SCRUB DECK LINK RT		
5	86273830	70020	4	SCR, 1/4-20 X 1/2 HHCS SS DL		
6	86010660	87025	6	WASHER, 1/4 LOCK EXT STAR SS		
7	86008310	78323	1	TUBE, 5/8"OD X .058W X .930 CRS		
8	86093450	66201	1	PIVOT ASM, RH COVER		
9	86272240	66092	2	PIN, COTTER HAIR .093" DIA.		
10	86261070	27457	2	CORD, COVER PIN		
11	86271090	57118	2	NUT, 1/2-13 HEX NYLOCK		
12	86005710	57105	16	NUT, 1/4-20 HEX W/ STAR WASHER		
13	86072460	14387	1	BRKT, MICROSWITCH MOUNT		
14	86271280	57163	14	NUT, 4-40 W/ STAR WASHER		
15	86087520	73456	2	SPACER, PLUNGER SWITCH		
16	86256700	72053	1	SWITCH, 125VDC SP NC ROLLER		
17	86276010	70580	2	SCR, 4-40 X 1.0 PPHMS		
18	86223270	66482	1	PLUNGER, MICROSWITCH		
19	86270270	27721	2	CLIP, RETAINING 7/16		
20	86007780	73576	1	SPRING, COMP .60D X 2.0L X .045W		
21	86075810	34371	1	FRAME, BATT BURN		
22	86004870	48077	1	KNOB, 3.50OD X 3/8-16 THRU HOLE		
23	86008460	80102	2	SPACER, .500OD X .391ID X .400		
24	86005690	57085	3	NUT, 3/8-16 HEX JAM		
25	86278910	87003	6	WASHER, 3/8ID X 7/8OD SS		
26	86259410	87206	1	WASHER, THRUST .51ID X 1OD X .063		
27	86253220	730014	1	SHAFT, PAD ADJUST		
28	86005800	57217	2	NUT, 3/8-24 HEX JAM		
29	86271530	57216	1	NUT, 3/8-24 HEX NYLOCK		
30	86092040	14386	1	BRKT, ACTUATOR		
31	86067940	14375	2	BELLCRANK, PAD ADJUSTING		
32	86249180	66331	1	PIVOT, PAD ADJUST		
33	86274010	70070	2	SCR, 3/8-16 X 2 HHCS		
34	86248970	81406	1	PIN, CLEVIS 3/8 X 2		
35	86005770	57119	3	NUT, 3/8-16 HEX NYLOCK		
36	86008670	80606	1	COTTER, 3/8" RING		
37	86077450	51332	2	LINK, PAD ADJUST		
38	86077390	51152	2	LINK, ACTUATOR PIVOT		
39	86012130	-	1	ACTUATOR, 36VDC 2.6 STK DBLS		
40	86275150	70368	1	SCR, 3/8-16 X 1-3/4 HHCS PLTD		
41	86005630	57022	2	NUT, 3/8-16 HEX NYLOCK THIN SS		
42	86093120	51336	1	LINKAGE, ACTUATOR		
43	86231280	14400	1	BUSHING, .377ID X .627OD X .63		
44	86006740	70266	1	SCR, 3/8-16 X 1" HHCS GR5 PLTD DL		
45	86093420	66149	1	PIVOT ASM, COVER		
46	86231350	14725	1	BUSH, BRZ .50 X .75 X .69		
47	86073060	14704	1	BRKT, SCRUB DECK LINK LT		
48	86010730	87088	1	WASHER, 5/8ID X 1.18 X .06 SS		
49	86010630	87013	2	WASHER, 1/4ID X 5/8OD SS		
50	86073070	14705	1	BRKT, SCRUB DECK LINK MID		
51	86093040	51151	1	LINKAGE ASM, DECK GUIDE ADJ (F)		
52	86275610	70511	2	SCR, 1/2-13 X 1.5 HHCS GR5 PLTD		
53	86010710	87080	2	WASHER, .5 X 1.25 FLAT GR8 PLTD		
54	86275590	70508	1	SCR, 3/8-16 X 2.25 HHCS GR5PLT		
55	86279420	87156	4	WASHER, .751 X 1.25 OD X .125 THK, NYL	*(2)	
56	86273780	70015	6	SCR, 1/4-20 X 3/4 HHCS SS		
57	86275460	70481	4	SCR, 1/4-20 X 3/4 BHCS		
58	86290480	-	1	BLOCK, SPRING GUIDE ASM		
59	86251530	67492	1	SPRING RETAINER	*(4)	
60	86254940	730199	1	SPRING	*(4)	

*SEE SERIAL NUMBER PAGE.

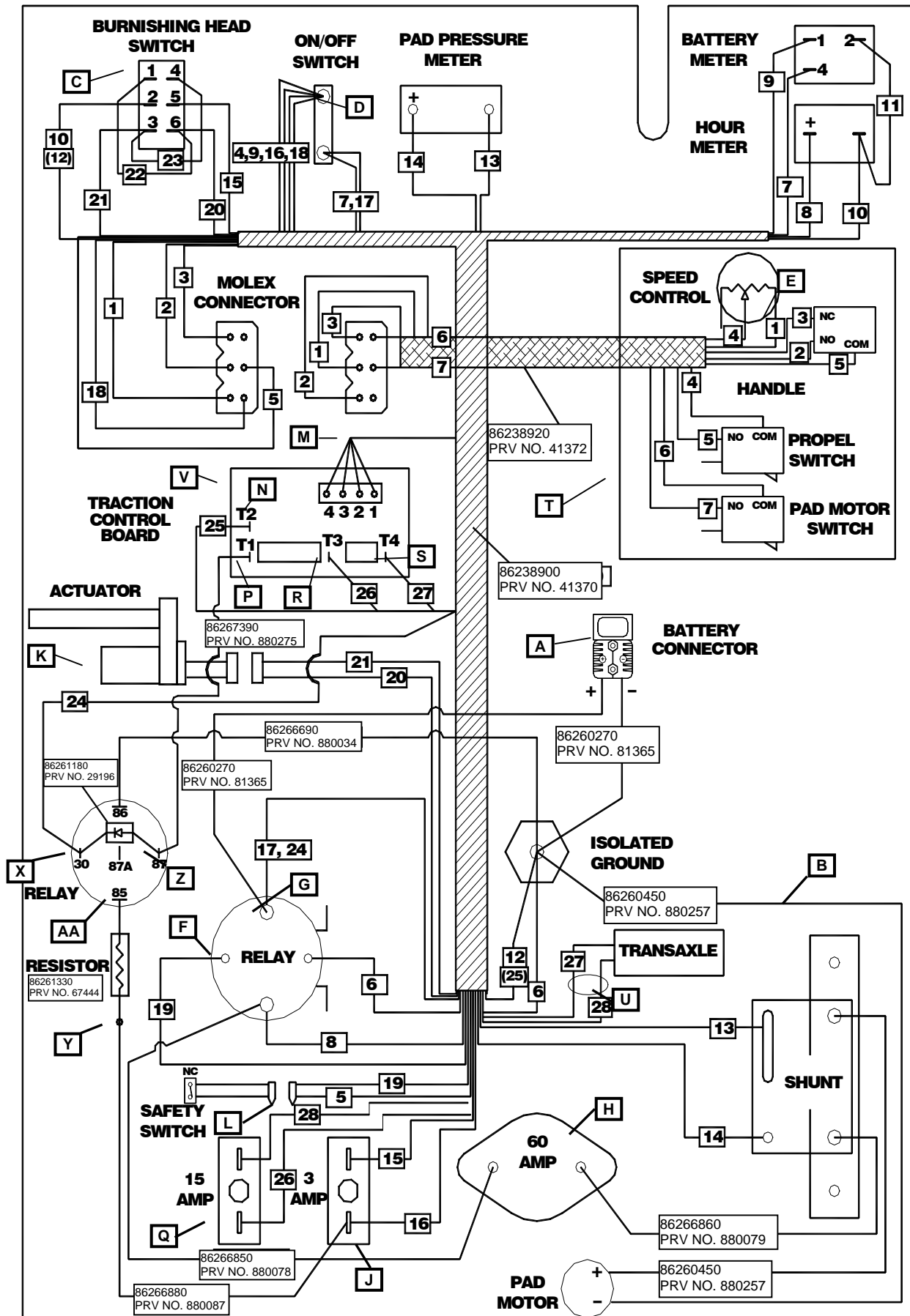
WIRING DIAGRAM - NON-TRACTION



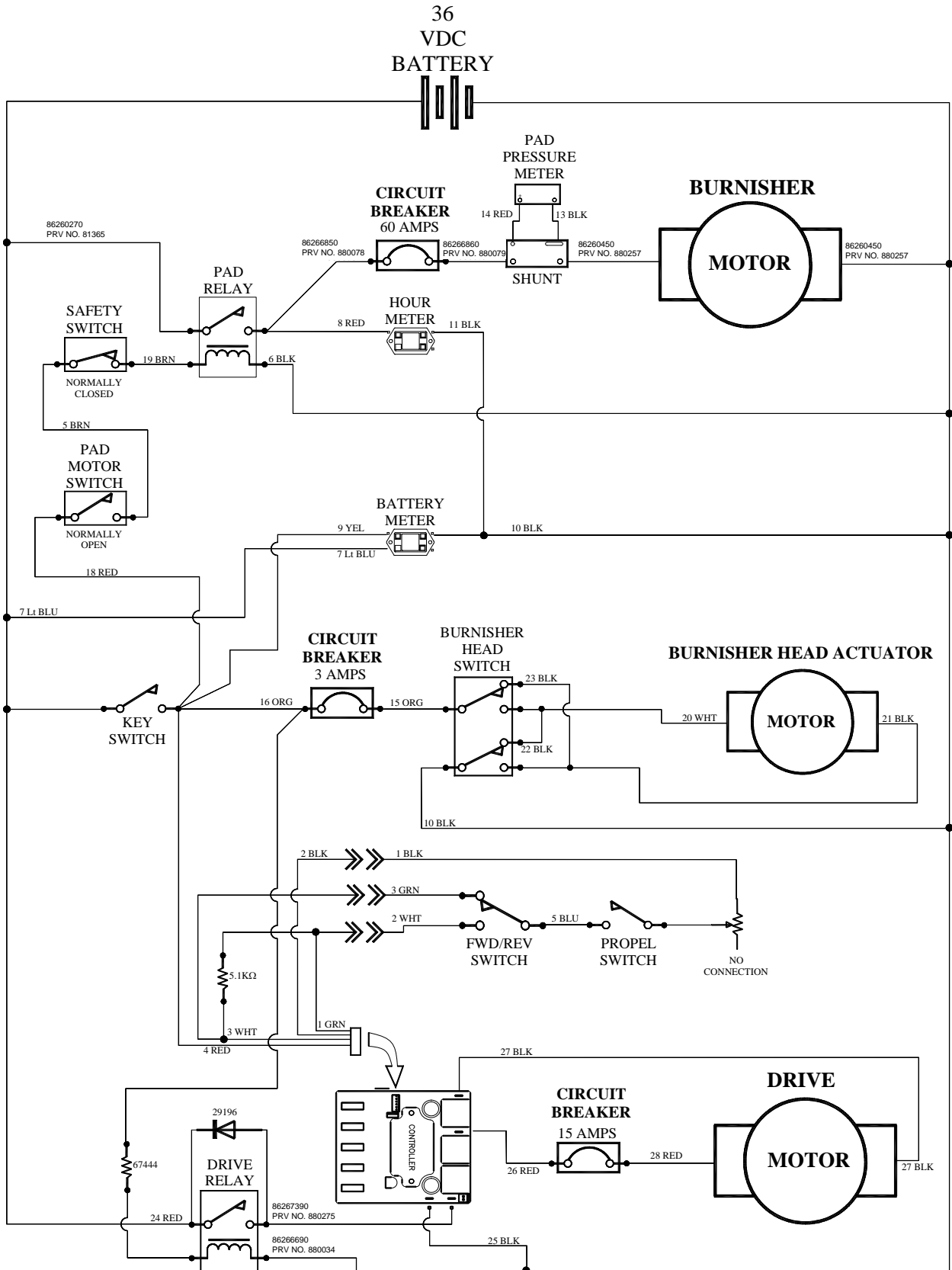
WIRING DIAGRAM - NON-TRACTION



WIRING DIAGRAM - TRACTION



WIRING DIAGRAM - TRACTION



WIRING DIAGRAM

PART NO.	PRV NO.	QTY	DESCRIPTION	SERIAL NO. FROM	NOTES:
86238910	41371	1	HARNESS, BATT BURNISHER PUSH		NON-TRACTION
86238920	41372	1	HARNESS, BATT BURNISHER CONTROL		TRACTION
86238900	41370	1	HARNESS, BATT BURNISHER TRACTION		TRACTION
86267390	880275	1	WIRE, 13" RED/14 76029 X 76029		
86266690	880034	1	WIRE, 6" BLK/18 76011 X 76040		
86260270	81365	2	WIRE, 4GA X 24.5 BLK		
86260450	880257	2	WIRE, 4GA X 50.0 BLK		
86266860	880079	1	WIRE, 10" RED/6 76130L X 76130L		
86266850	880078	1	WIRE, 9" RED/6 76131L X 76130L		
86266880	880087	1	WIRE, 14" RED/18 76031 X 76040		
86261330	67444	1	RESISTOR ASM, 100 OHM		TRACTION
86261180	29196	1	DIODE ASM, PIGGYBACK TERMINAL		TRACTION

SUGGESTED SPARE PARTS

PART NO.	PRV NO.	DESCRIPTION	SERIAL NO. FROM	NOTES:
86002000	14717	BREAKER, 3 AMP		
86001230	140182	BREAKER, CIRCUIT 60 AMP		
86002290	18027	CASTER, 4" POLYURETHANE SWIVEL		
86246750	51359	LOCK, PAD L/H RM		
86248270	64105	PAD DRIVER ASM, 20"		
86006370	67315	RELAY, 36VDC 100A		
86256700	72053	SWITCH, 125VDC SP NC ROLLER		
86007100	72093	SWITCH, 125VDC SPST N.O.		
86284190	02100	HYDROMETER		
86284870	2003SM	FILTER BAG PACKS, 10/PKG		
86064590	78231	BATTERY TRAY		
86007300	730019	SHROUD, BATT BURN L20		
86007290	730017	SKIRT, BURNISHER SHROUD		
86002410	20077	CLAMP, WORM #HS356		
86234010	27579	CONTROLLER, 36VDC 1-8SEC. DELAY		TRACTION ONLY
86257010	72158	SWITCH, 10A PLUNGER MINI		TRACTION ONLY
86257030	72168	SWITCH, MOMENTARY, DPST		TRACTION ONLY
86007130	72128	SWITCH, DPDT 2-POSITION ROCKER		TRACTION ONLY
86007170	72159	SWITCH KEY TWO POSITION		
86004860	48073	KEY, SWITCH		

SERIAL NUMBERS

REF. NO.	MODEL: SERIAL #:
1	L20, L20T: 1000041691
2	L20, L20T: 1000062516
3	L20, L20T: 1000114245
4	L20, L20T: 1000123011
5	L20, L20T: 1000157251
6	L20: 10027100000010; L20T 10027110000241
7	L20T: 10027110000254