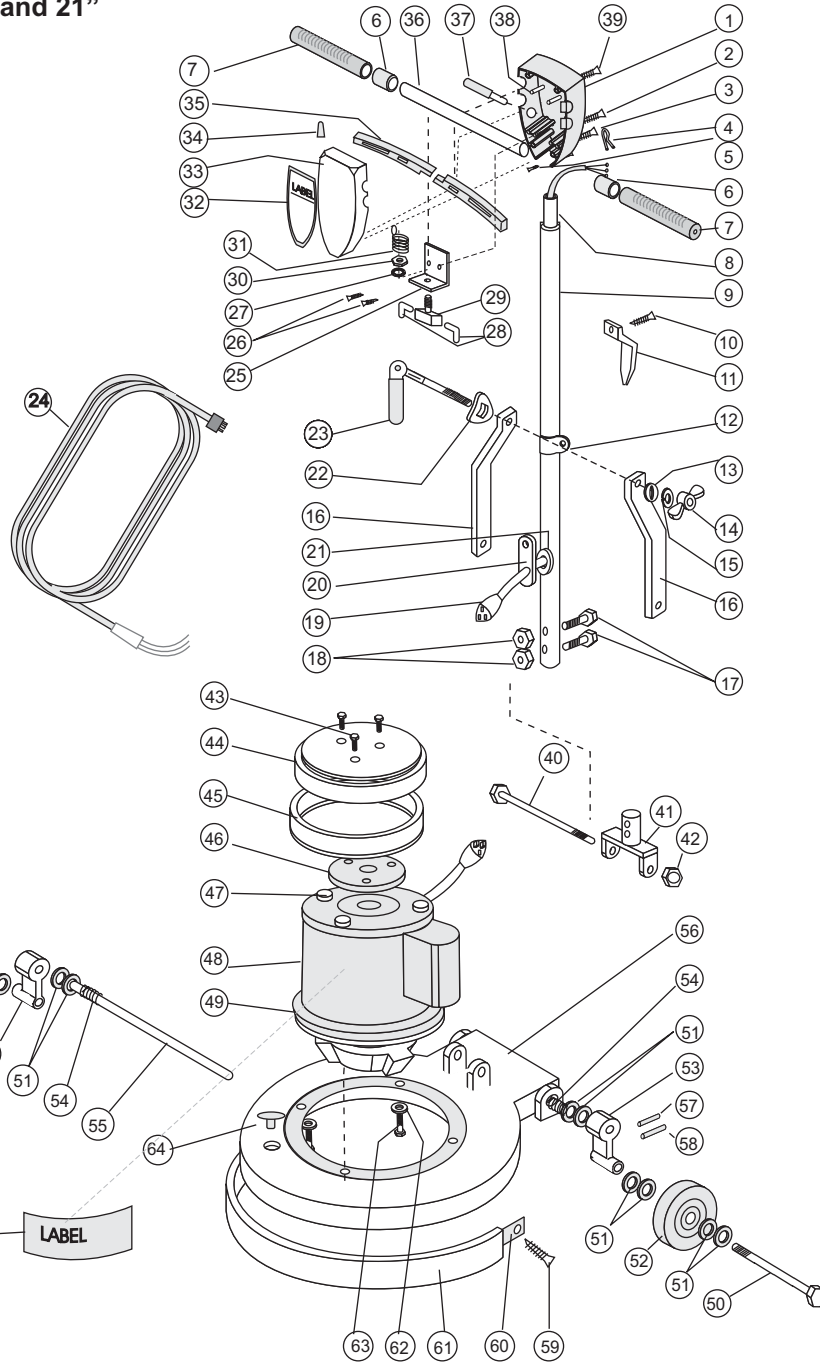


LO-BOY

Heavy-Duty Floor Machine
175 RPM - 1 HP or 1.5 HP
15", 17", 19", and 21"



Number	Description	PART #	# Required
1	Switch Box Back	A-104	1
2	Handle Tube Screw	B-23	2
3	Switch Box Closing Screw	B-21	4
4	Strain Relief Clip	M-213	1
5	Ground Wire Screw	B-68	2
6	Rubber Spacer	M-218 Y	2
7	Hand Grip	M-218	2
8	Handle Tube Insert	M-247	1
9	Handle Tube Assembly	M-206	1
10	Cable Hook Screw	B-2	2
11	Cable Hook	A-164	1
12	Sliding Collar	A-111	1
13	Oval Hole Cam Washer	B-37	1
14	Cam Lock Wing Nut	B-25	1
15	Cam Split Washer	B-39	1
16	Bent Brace	M-216	2
17	Yoke Bolt	B-18A	2
18	Yoke Nut	B-19	2
19	Handle Tube Cable	G-16	1
20	Black Rubber Cable Connector	M-249	1
21	Cable Grommet	B-63	1
22	Rectangular Hole Cam Washer	B-67	1
23	Complete Cam Assembly	CCA	1
24	50 Foot Cable 14/3 Yellow	G-14-50-Y	1
25	Switch Mounting Plate	G-30-B	1
26	Switch Plate Screw	B-1	2
27	Int. Tooth Lock Washer (For Switch)	B-35	1
28	Insulated Flag Wire Connector	G-48	2
29	On-Off Switch And Plate Assembly	G-30-AB	1
30	Lock Washer	B-33	1
31	Trigger Return Spring	G-30-CT057	1
32	Label For Switch Box	CALL FOR #	1
33	Switch Box Front	A-103	1
34	Wire Connector	G-47	1
35	Trigger	A-105	2
36	16" Crossbar	M-211-A	1
37	Safety Interlock Assembly	SIA-1	1
38	Trigger Pin	B-70	2
39	Crossbar Screw	B-22	2
40	Yoke Bolt	B-14	1
41	Yoke	A-1001	1
42	Acorn Nut For Yoke Bolt	B-10	1
43	Drip Cap Mounting Screw	B-151	3
44	66 Frame Drip Cap Cover	M-241	1
45	66 Frame Drip Cap Cover Bumper	M-239	1
46	Cork Drip Cap Gasket	M-248	1
47	Split Washer	B-32	4
48A	Motor 66 Frame 1 HP With Gearbox	MOTOR 1HP / GB	1
48B	Motor 66 Frame 1.5 HP With Gearbox	MOTOR 1.5 HP / GB	1
49	Gear Box, 11:1, Triple Planetary	GB96008	1
50	Wheel Axel Bolt	B-15, BDP	2
51	Spring Washer	B-51	12
52	6" Wheel	M-250	2
53	Wheel Carriage	A-117	2
54	Spring	B-30	2
55	9" Axel	M-217	1
56B	Base Casting 15"	A-124	1
56C	Base Casting 17"	A-134	1
56D	Base Casting 19"	A-127	1
56E	Base Casting 21"	A-129	1
57	Axel Pin	B-45	2
58	Wheel Axel Pin	B-46	2
59	Bumper Screw	B-68	2
60A	Bumper Strap 15"	M-2011-Strap	2
60B	Bumper Strap 17, 19"	M-202- Strap	2
61A	Bumper 15"	M-232-15	1
61B	Bumper 17"	M-232-17	1
61C	Bumper 19"	M-232-19	1
61C	Bumper 21"	M-232-21	1
62	1/4" Medium Split Washer	B-32	3
63	Cap Screw	B-31	3
64	Scrubber Plug	B-50	1
65	Label for Motor	CALL FOR #	1