

Spare parts list

(11001220) PRIZA

2007 02

59707550

EN

CONTENT LIST

1.0 WATER TANK

2.0 APPLIANCE - PIECE PARTS

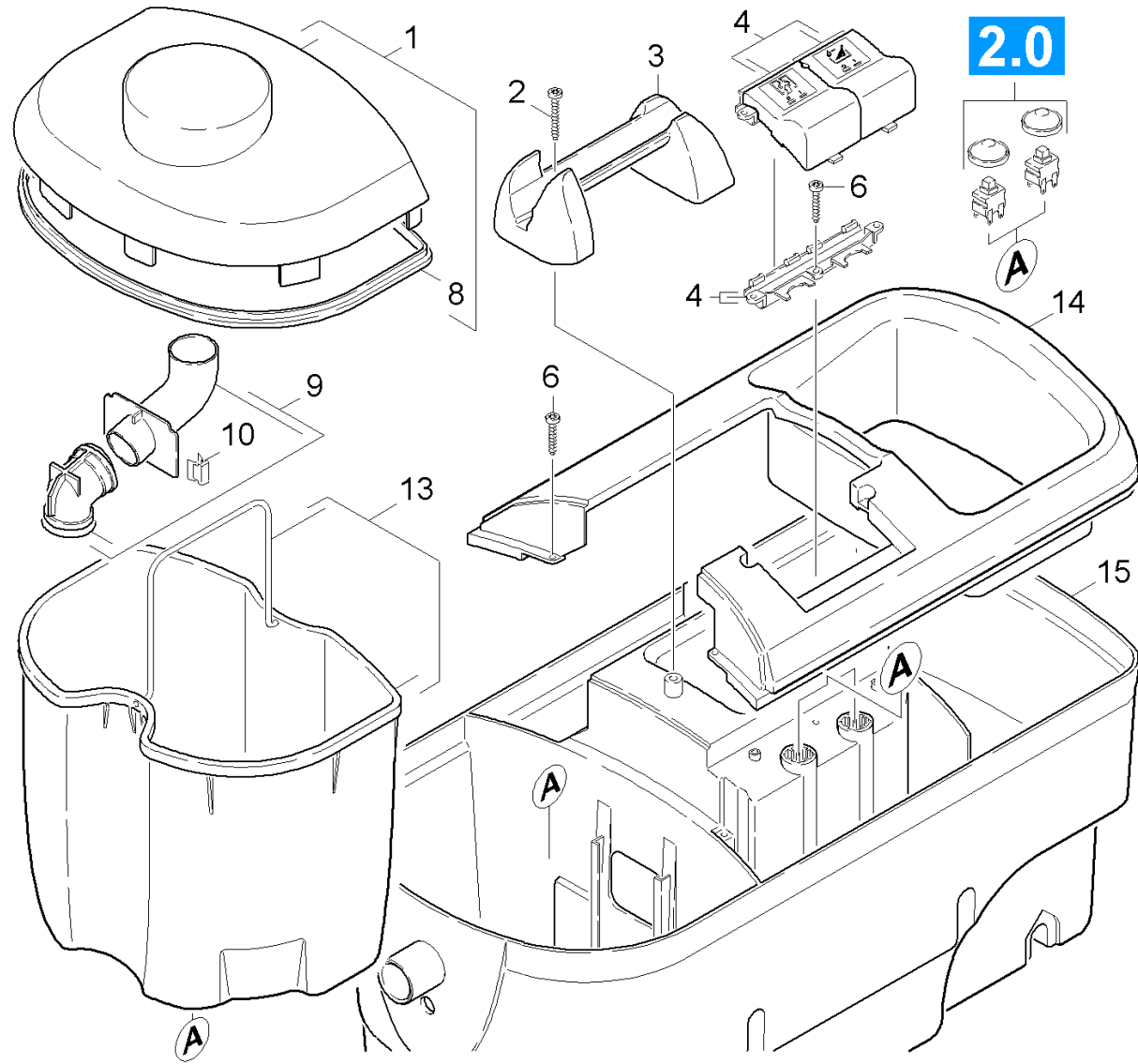
3.0 HOUSING

4.0 SUCTION HOSE

5.0 HAND NOZZLE

6.0 Floor tool

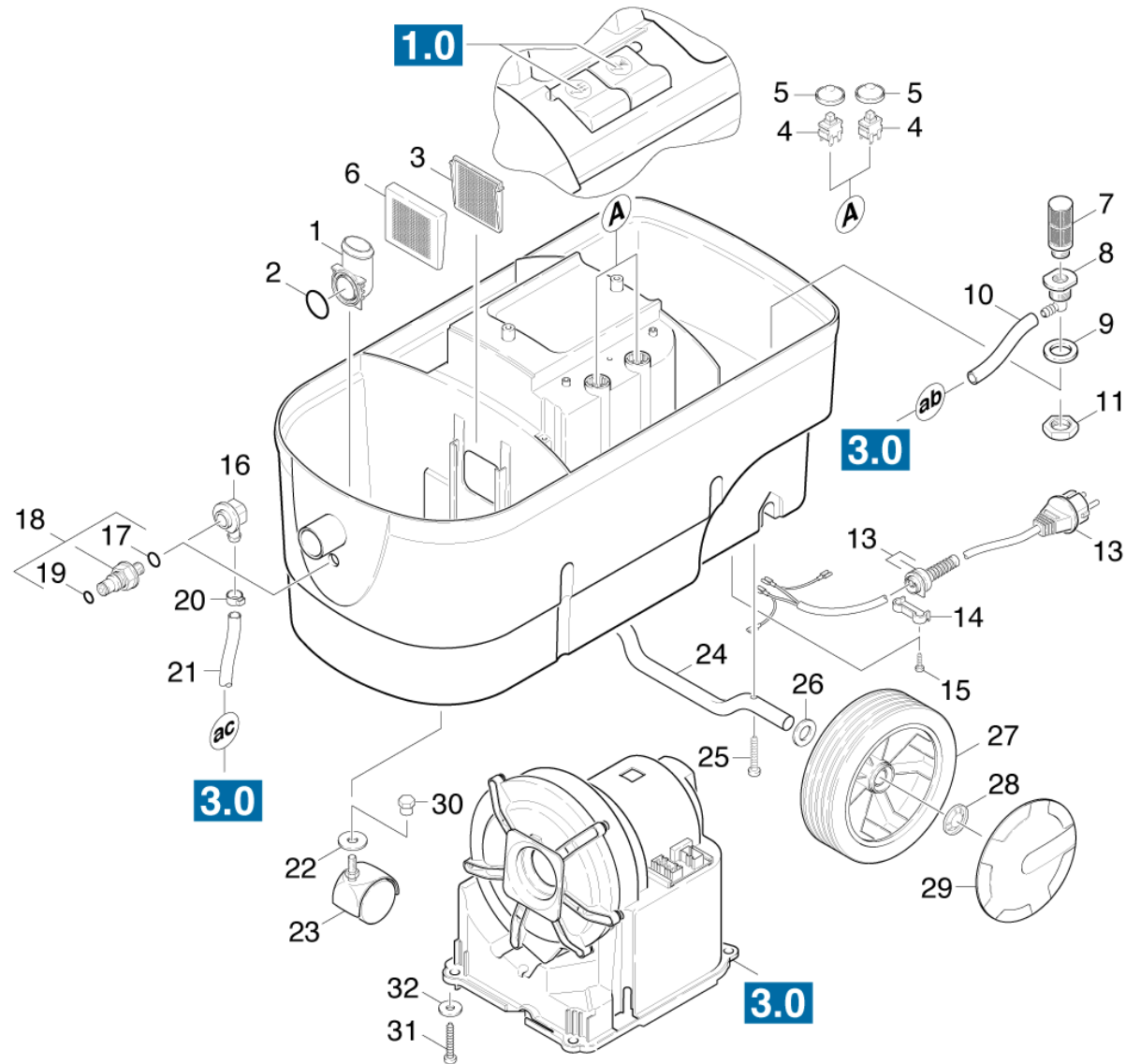
1.0 WATER TANK



1.0 WATER TANK

POS	DESCRIPTION ADDITIONAL INFORMATIONS	PART NO	QTY.	FROM SER.NR.	UP TO SER. NR.
1	Cover complete	40636280	1		
2	Screw 5x30 -10.9-R2R (K-In6Rd)	73030860	2		
3	Handhold	53215170	1		
4	Pushbutton complete grau	43240210	1		
6	Screw 4x25 -10.9-R2R (K-In6Rd)	73030840	5		
8	Seal cover	53633900	1		
9	Elbow complete	40310700	1		
10	U-Fastening 4,5-5mm	63730810	2		
13	Tank complete only for replacement	40702980	1		
14	FUNNEL	50130820	1		
15	Housing Priza RAL 5005	50692370	1		

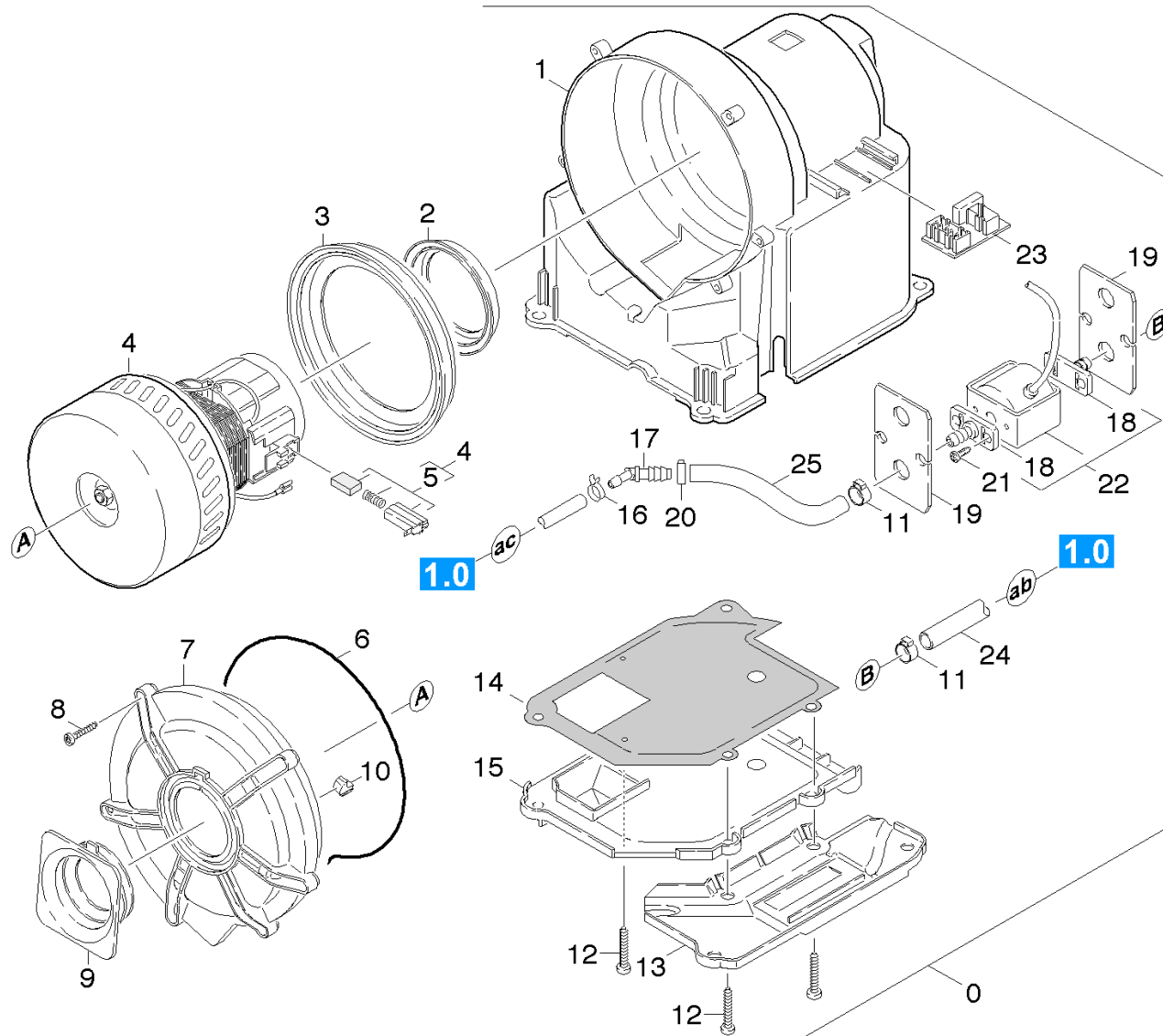
2.0 APPLIANCE - PIECE PARTS



2.0 APPLIANCE - PIECE PARTS

POS	DESCRIPTION ADDITIONAL INFORMATIONS	PART NO	QTY.	FROM SER.NR.	UP TO SER. NR.
1	CONNECTION PIECE	54026050	1		
2	O-RING	63625260	1		
3	Fluffing strainer	57340870	1		
4	SWITCH	66302140	2		
5	PROTECTION PART	53944610	2		
6	Filter	57340890	1		
7	Filter	64140270	1		
8	Hose stem	54432460	1		
9	Joint ring	53631080	1		
10	HOSE	54427220	1		
11	Hexagon nut G 1/2"	63100040	1		
13	POWER CABLE	66479670	1		
14	BRACKET	50440840	1		
15	Screw 4x25 -10.9-R2R (K-In6Rd)	73030840	2		
16	HOSE STEM	54434370	1		
17	GASKET	63627970	1		
18	NIPPLE	44090010	1		
19	Spare part set O-Ring seal	28831510	1		
20	HOSE BAND CLIP	63899920	1		
21	HOSE	63902200	1		
22	Washer 10 -200HV-A2E ISO7093-1	73122850	2		
23	CASTOR WHEEL	64350390	2		
24	AXLE	51052520	1		
25	Screw 5x30 -10.9-R2R (K-In6Rd)	73030860	2		
26	Washer 16 -A2 ISO 7090	73120570	2		
27	WHEEL	64351960	2		
28	CHASSIS CLIP	63431680	2		
29	WHEEL CAB	64353490	2		
30	Bush	51106590	2		
31	Screw M 8x 40	63032850	4		
32	Joint ring	53633970	4		

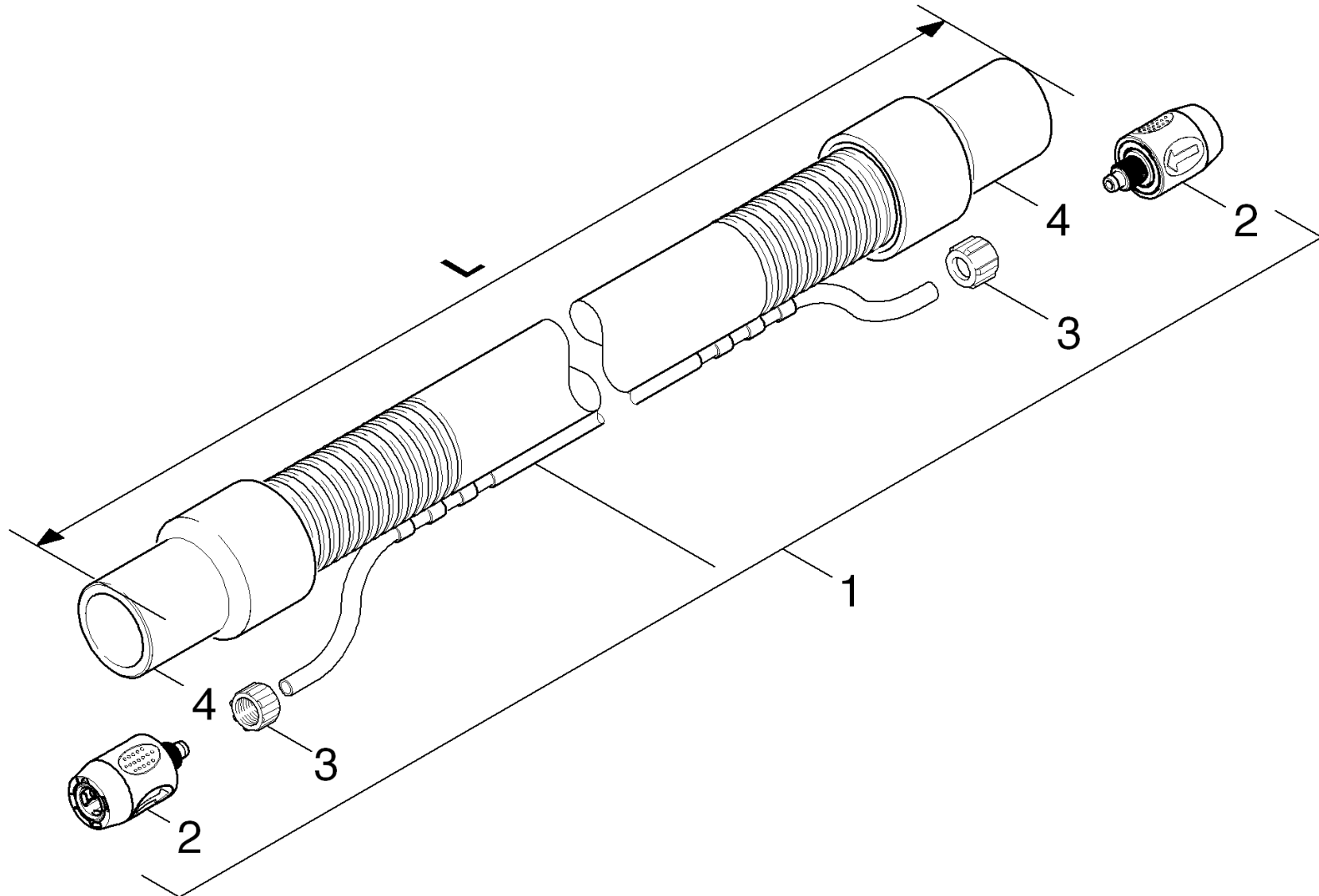
3.0 HOUSING



3.0 HOUSING

POS	DESCRIPTION ADDITIONAL INFORMATIONS	PART NO	QTY.	FROM SER.NR.	UP TO SER. NR.
0	Housing drawer complete	46050780	1		
1	Housing turbine UL	56052910	1		
2	SEAL	53633950	1		
3	Seal	53633930	1		
4	VAC MOTOR	46100480	1		
5	CARBON BRUSH SET	66102070	1		
6	CELLULAR RUBBER	62731620	1		
7	COVER TURBINE -UL	50638630	1		
8	Screw 4x25 -10.9-R2R (K-In6Rd)	73030840	6		
9	Seal	53633920	1		
10	Seal	53634050	1		
11	HOSE CLAMP	63886830	2		
12	Screw 5x30 -10.9-R2R (K-In6Rd)	73030860	4		
13	Covering cap little UL	50316240	1		
14	GUARNIZIONE NBR GRUP.POMPA PUZZI 100-200	53642330	1		
15	Covering cap big UL	50330970	1		
16	Hose clip 9,0mm	63885550	1		
17	NIPPLE	54092610	1		
18	HOSE STEM CUZN	54434560	1		
19	Bearing pump	50314680	2		
20	Hose clip with insert 13,3	63887010	1		
21	Screw M4x6 -8.8-R2R (In6Rd)	73062360	4		
22	MOTOR DRIVEN PUMP 115V	64733870	1		
23	CIRCUIT BOARD	66823910	1		
24	HOSE	54427220	1		
25	HOSE	54429240	1		
26	BRACKET	50443200	2		
27	O'RING	63625330	2		

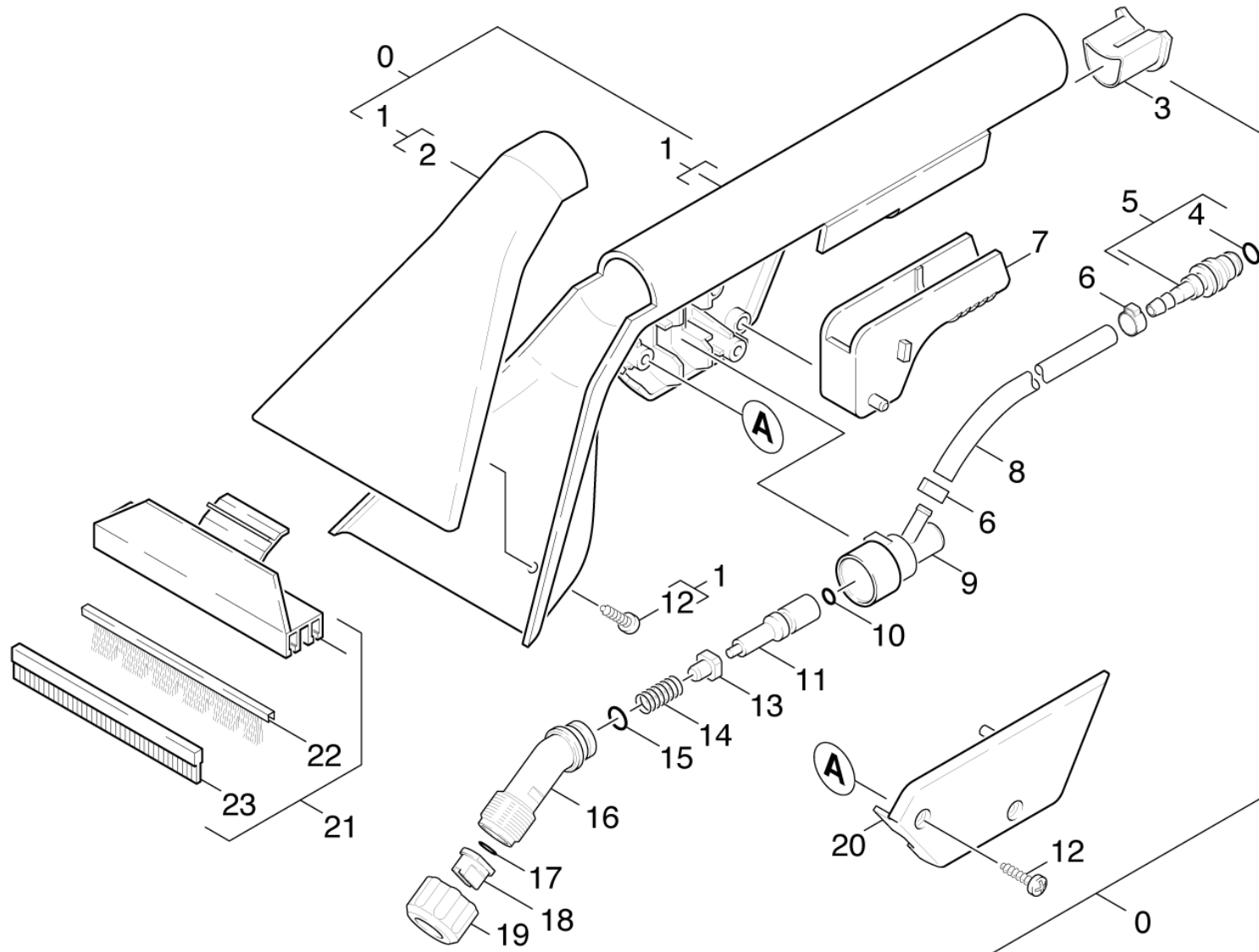
4.0 SUCTION HOSE



4.0 SUCTION HOSE

POS	DESCRIPTION ADDITIONAL INFORMATIONS	PART NO	QTY.	FROM SER.NR.	UP TO SER. NR.
1	Suction hose DN32 L = 2400 MM	63914100	1		
1	Suction hose DN32 L = 4000 MM	63914110	1		
2	Hose coupling complete fuer Ersatz	44460190	2		
3	TUBE ELBOW	63883810	2		
4	BUSHING	69067130	2		

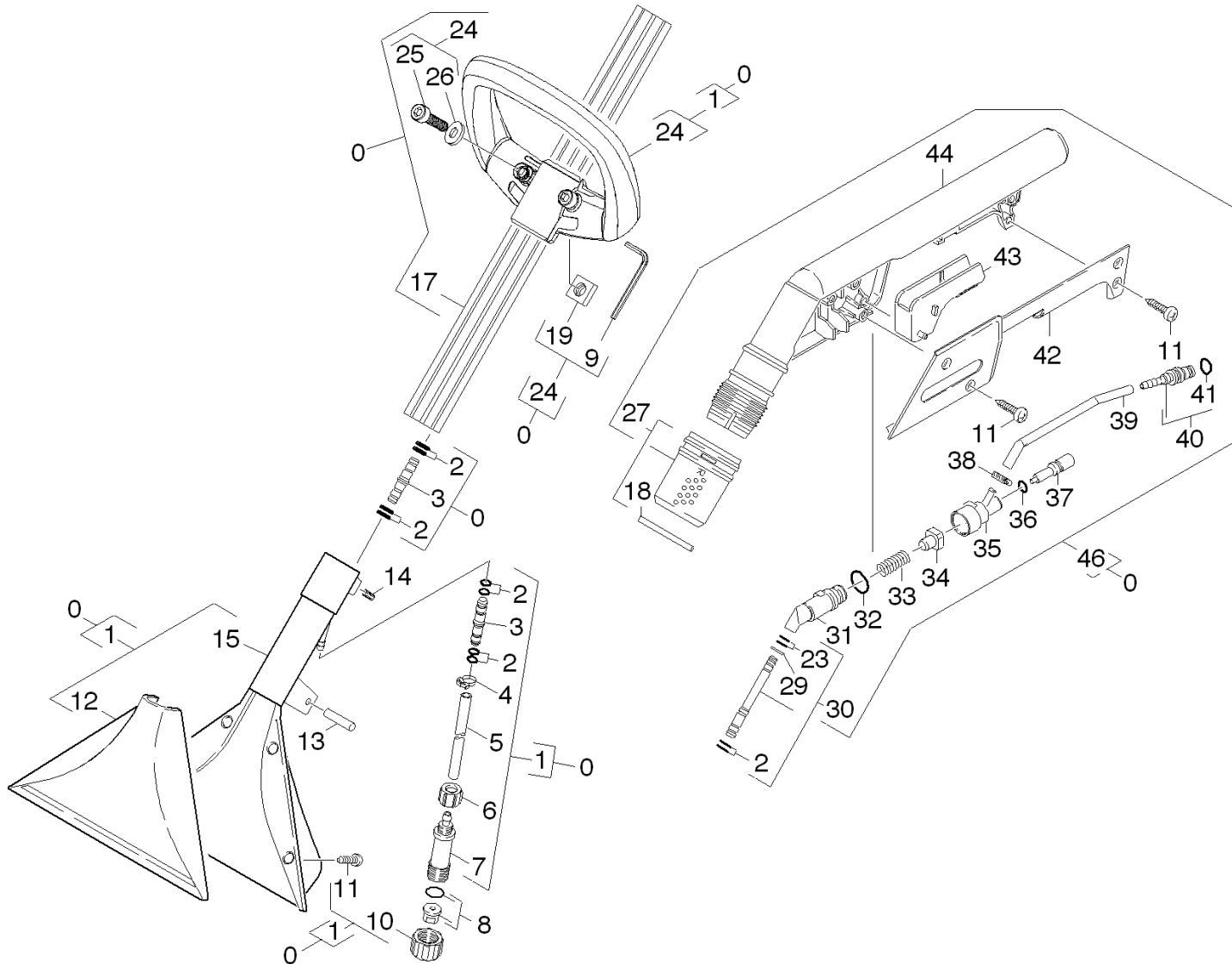
5.0 HAND NOZZLE



5.0 HAND NOZZLE

POS	DESCRIPTION ADDITIONAL INFORMATIONS	PART NO	QTY.	FROM SER.NR.	UP TO SER. NR.
0	Hand nozzle	41301160	1		
1	Hand nozzle with cover	41301260	1		
2	Cover hand nozzle	51302230	1		
3	Bush	51125720	1		
4	O-Ring seal 6,75x1,78 NBR 70	63624980	1		
5	HOSE STEM	44430190	1		
6	HOSE BAND CLIP	63902570	2		
7	LEVER	54811570	1		
8	HOSE	63902370	1		
9	VALVE HOUSING	55871390	1		
10	O RING	63624010	1		
11	SPINDLE	55840330	1		
12	Screw 4x12-A2-70 (IN6RD)	73031160	4		
13	VALVE	55840340	1		
14	SPRING	53320820	1		
15	O RING	63624020	1		
16	SCREW UNION PART	54012250	1		
17	O-ring d.6x2	63621130	1		
18	Nozzle mouthpiece 65G04	64153400	1		
19	NUT	53100430	1		
20	COVER	50637730	1		
21	MOULDED PART	47622190	1		
22	Brush strip	69592820	1		
23	RUBBER LIP	69592830	1		

6.0 Floor tool



6.0 Floor tool

POS	DESCRIPTION ADDITIONAL INFORMATIONS	PART NO	QTY.	FROM SER.NR.	UP TO SER. NR.
0	Nozzle metal with packing	41303940	1		
1	Floor tool metal	41303980	1		
2	O-RING 6.0 X 1.0	63624720	8		
3	EXTENSION PIECE	51270210	2		
4	Hose clip 8,5-10,0	63898820	1		
5	Hose DN 6	63883260	1		
	TO ORDER AS CUT GOODS				
6	TUBE ELBOW	63883810	1		
7	CORPO SPRUZZINO SPAZZOLA PUZZI 100	54010530	1		
8	Nozzles set	28845460	1		
9	Screw driver 5 ISO 2936	78151310	1		
10	NUT	53100430	1		
11	Screw 4x12-A2-70 (IN6RD)	73031160	8		
12	Cover suction nozzle	57770270	1		
13	Straight grooved pin 5x24 Kunstst. ISO87	73146590	1		
14	Threaded pin M10x12 -A2-21H ISO4026	73070300	1		
15	Floor tool metal Puzzi	57770360	1		
16	GASKET	63627270	1		
17	Suction tube ALU	50328220	1		
18	SPRING CLIP	53430140	1		
19	Square nut M6 -05-A2E DIN 557	73115710	2		
23	O-Ring seal 4,0 X 1,2	63627610	2		
24	Hand grip PUZZI 100/200	43211860	1		
25	Cylinder head screw M6x30 -8.8-A2E DIN	73060240	2		
26	Washer 6 -A2 ISO 7093-1	73122920	2		
27	NUT	43100100	1		
29	Lock washer -FST-PHR DIN 6799	73432010	1		
30	EXTENSION	41270090	1		
31	MOULDED PART	50306700	1		
32	O RING	63624020	1		
33	SPRING	53320820	1		
34	VALVE	55840340	1		

6.0 Floor tool

POS	DESCRIPTION ADDITIONAL INFORMATIONS	PART NO	QTY.	FROM SER.NR.	UP TO SER. NR.
35	VALVE HOUSING	55871390	1		
36	O RING	63624010	1		
37	SPINDLE	55840330	1		
38	HOSE BAND CLIP	63902570	2		
39	HOSE	63902370	1		
	TO ORDER AS CUT GOODS				
40	HOSE STEM	44430190	1		
41	O-Ring seal 80,0x4,5-NBR 50	63624910	1		
42	MOULDED PART	50310380	1		
43	LEVER	54811570	1		
44	Handhold	53215690	1		
46	Handhold complete	43211010	1		