

(14285130) RECOVER 7

2007 01

59707590

EN

CONTENT LIST

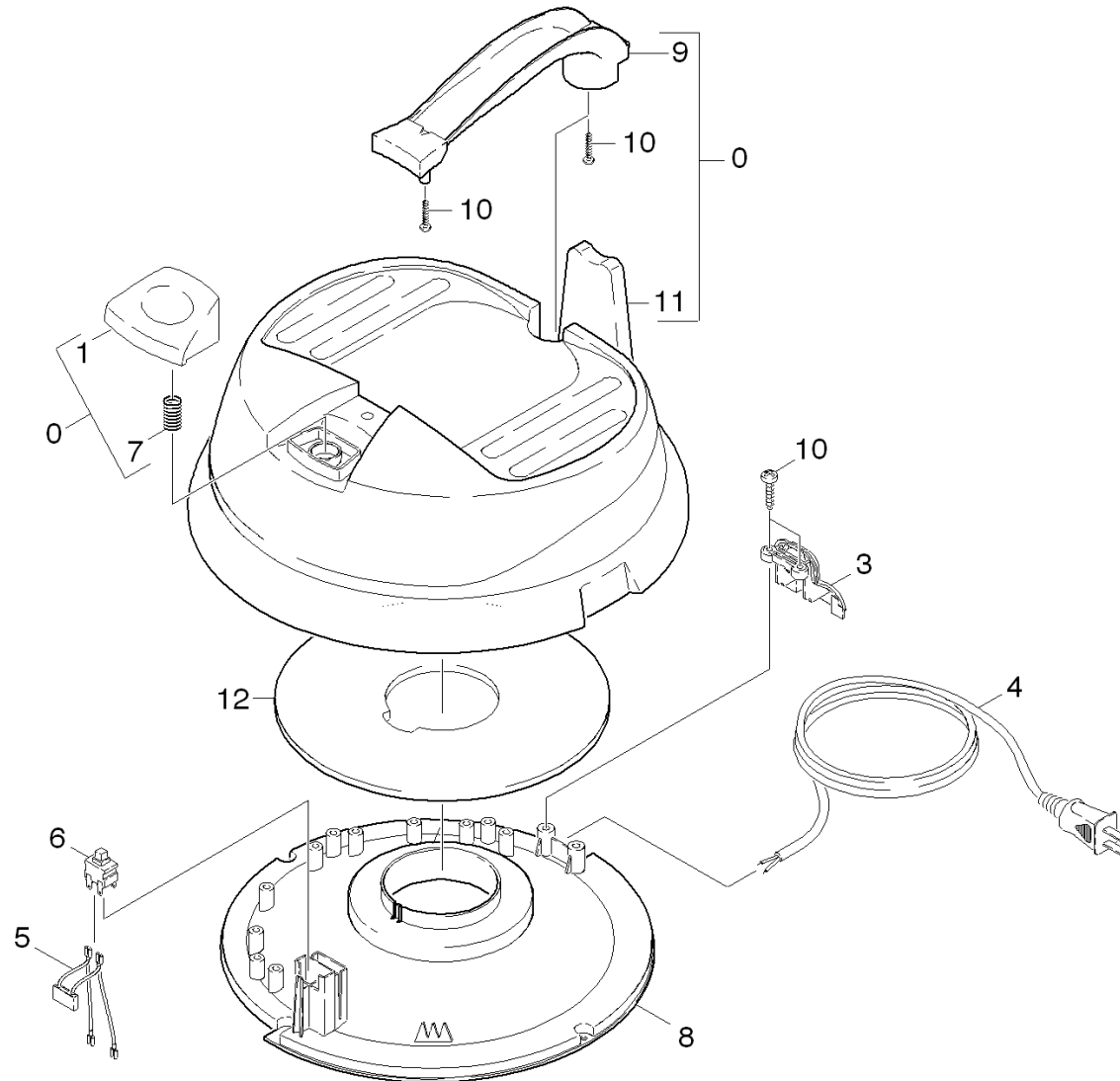
1.0 APPLIANCE TOP PART

2.0 APPLIANCE BOTTOM

3.0 VACUUM MOTOR

4.0 ACCESSORIES

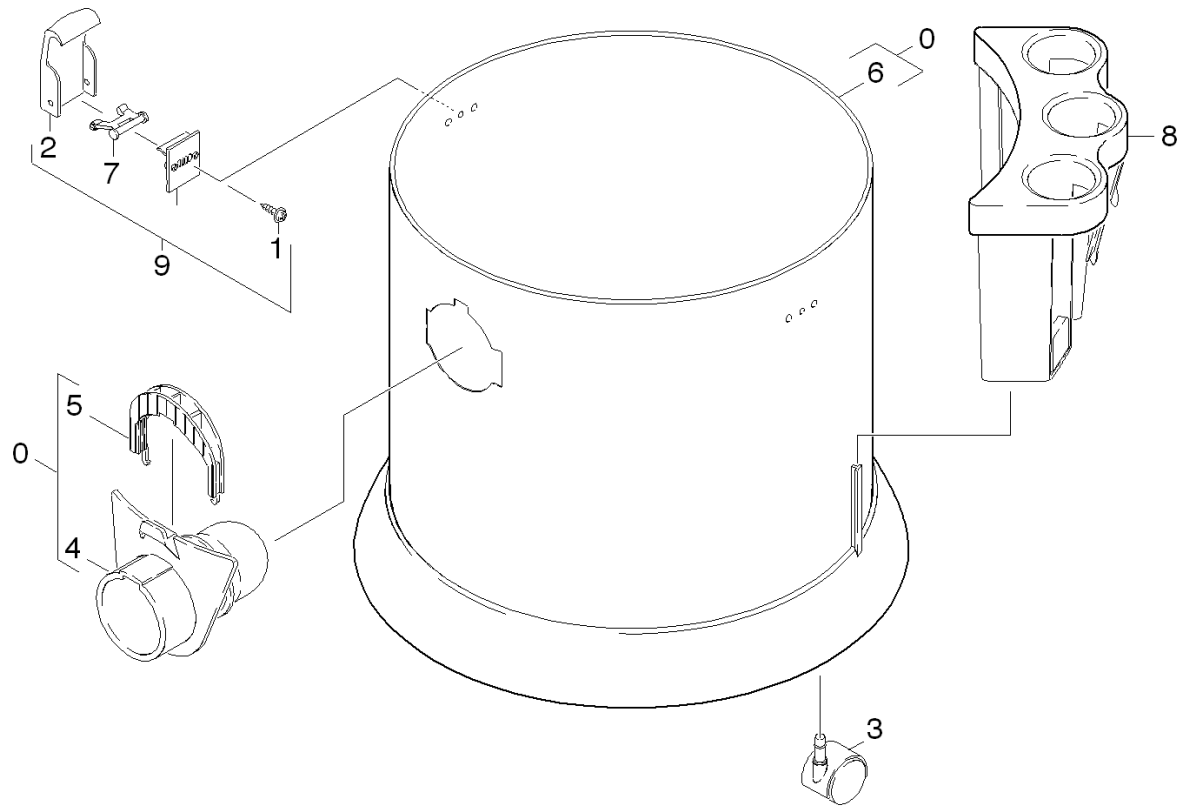
1.0 APPLIANCE TOP PART



1.0 APPLIANCE TOP PART

POS	DESCRIPTION ADDITIONAL INFORMATIONS	PART NO	QTY.	FROM SER.NR.	UP TO SER. NR.
0	Cover complete only for replacement NT 2	40663240	1		
1	CALIPERS	53240400	1		
3	PULL RELIEF	50323630	1		
4	CABLE MIT STECKER	66483700	1		
5	Electrical small parts	48393700	1		
6	SWITCH	66302140	1		
7	Spring switch	53324570	1		
8	Moulded part	50324330	1		
9	Handhold	53217110	1		
10	Screw 4x25 -10.9-R2R (K-In6Rd)	73030840	4		
11	COVER	50690060	1		
12	SOUND INSULATION SET	62864330	1		

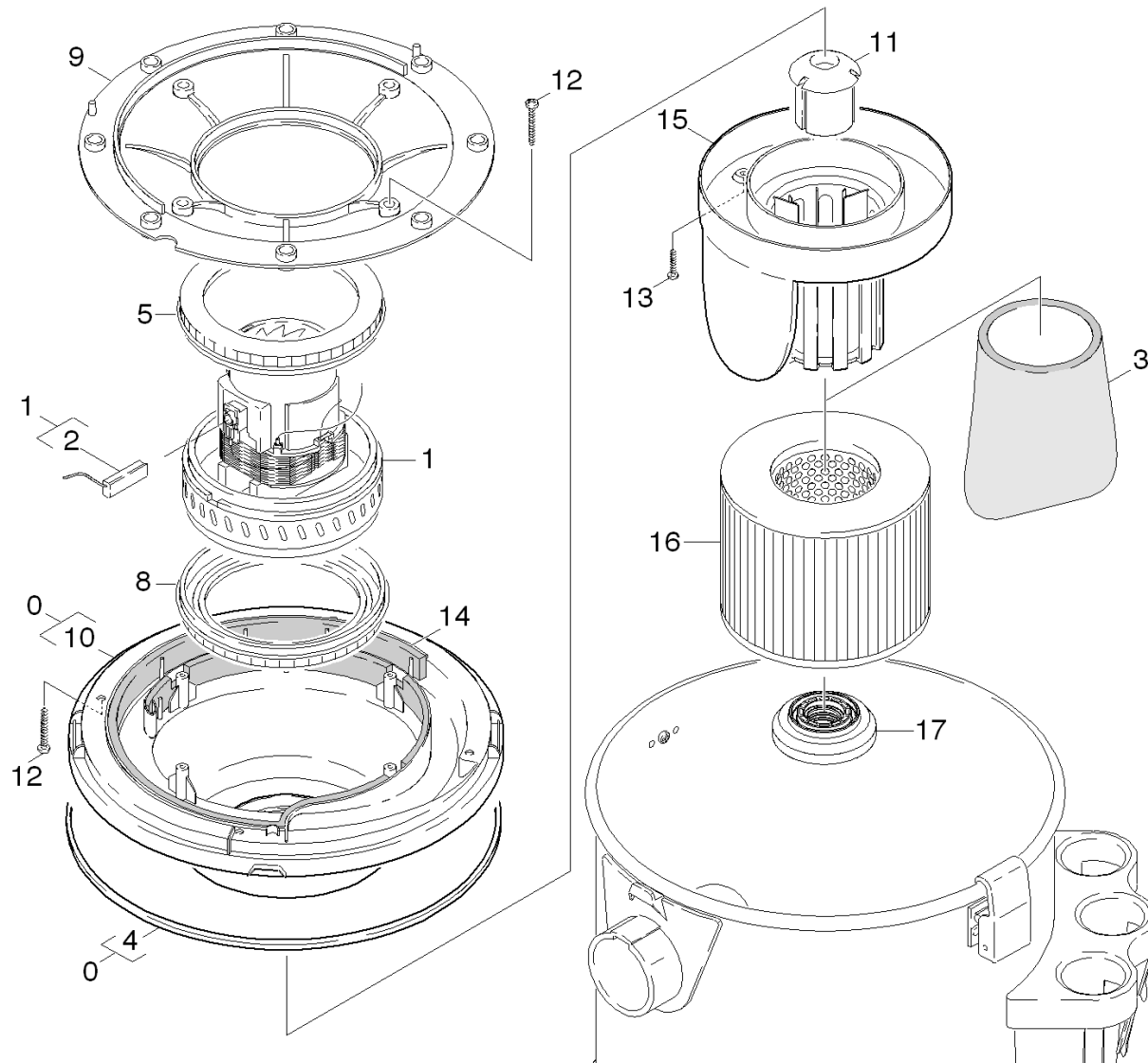
2.0 APPLIANCE BOTTOM



2.0 APPLIANCE BOTTOM

POS	DESCRIPTION	PART NO	QTY.	FROM SER.NR.	UP TO SER. NR.
	ADDITIONAL INFORMATIONS				
0	Tank complete Recover 7 RAL 5005	40706460	1		
1	Screw 4x12 -10.9-R2R (IN6RD)	73031060	2		
2	Locking hook OEM	94118010	2		
3	CASTOR	64353530	5		
4	IMBOCCO PER CONTENITORE NT 27/1	50323620	1		
5	Holder suction connection	50446360	1		
6	Tank complete Recover 7 RAL 5005	40706460	1		
7	LOCKING JOINT	69032940	2		
8	BRACKET ZUBEHOER	50324300	1		
9	Holder closure complete OEM	94181560	2		

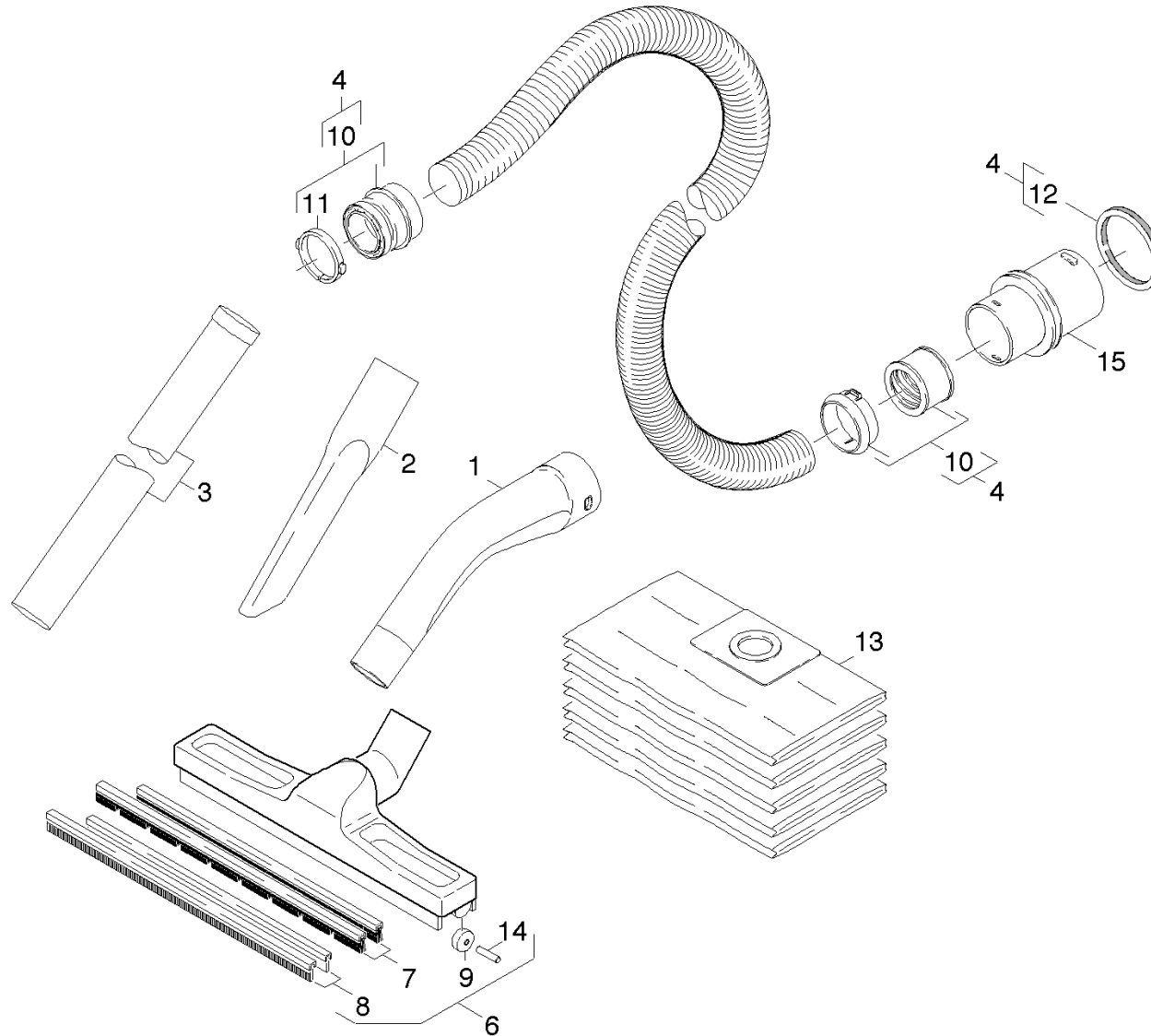
3.0 VACUUM MOTOR



3.0 VACUUM MOTOR

POS	DESCRIPTION ADDITIONAL INFORMATIONS	PART NO	QTY.	FROM SER.NR.	UP TO SER. NR.
0	FLANGIA MOT. NT27/1 PER RIC.	41221220	1		
1	VACUUM MOTOR 120V	64901770	1		
2	CARBON BRUSH	66102520	2		
3	Filter	57315950	1		
4	Seal flange motor	53635860	1		
5	MOTOR SEAL	69033000	1		
8	MOTOR SEAL	69032460	1		
9	Flange water	51224250	1		
10	Flange motor	51224150	1		
11	FLOAT	55850380	1		
12	Screw 4x 35 -10.9-R2R (K-In6Rd)	73030850	8		
13	Screw 4x16-St-10.9-R2R (In6Rd)	73032050	2		
14	SOUND INSULATION SET	62864330	1		
15	HANDLE	94116310	1		
16	CARTRIDGE FILTER	64147890	1		
17	HANDLE	94119540	1		

4.0 ACCESSORIES



4.0 ACCESSORIES

POS	DESCRIPTION ADDITIONAL INFORMATIONS	PART NO	QTY.	FROM SER.NR.	UP TO SER. NR.
1	ELBOW	50317180	1		
2	Crevice nozzle DN35	69062400	1		
3	SUCTION TUBE	69020460	2		
4	SUCTION HOSE	69062080	1		
6	Floor tool DN35	69065120	1		
7	Brush strips set	69032780	1		
8	PROFILE SEAL	69032770	1		
9	ROLLER	64352920	1		
10	ADD ON KIT	26396900	1		
11	TENSION RING	50317030	1		
12	CELLULAR RUBBER CORD	62732020	1		
13	Filter bags 5St.	69042900	1		
14	Axle	64370260	2		
15	CONNECTION PIECE	54434640	1		