

Cover - SC688A

---



# REPAIR PARTS LIST

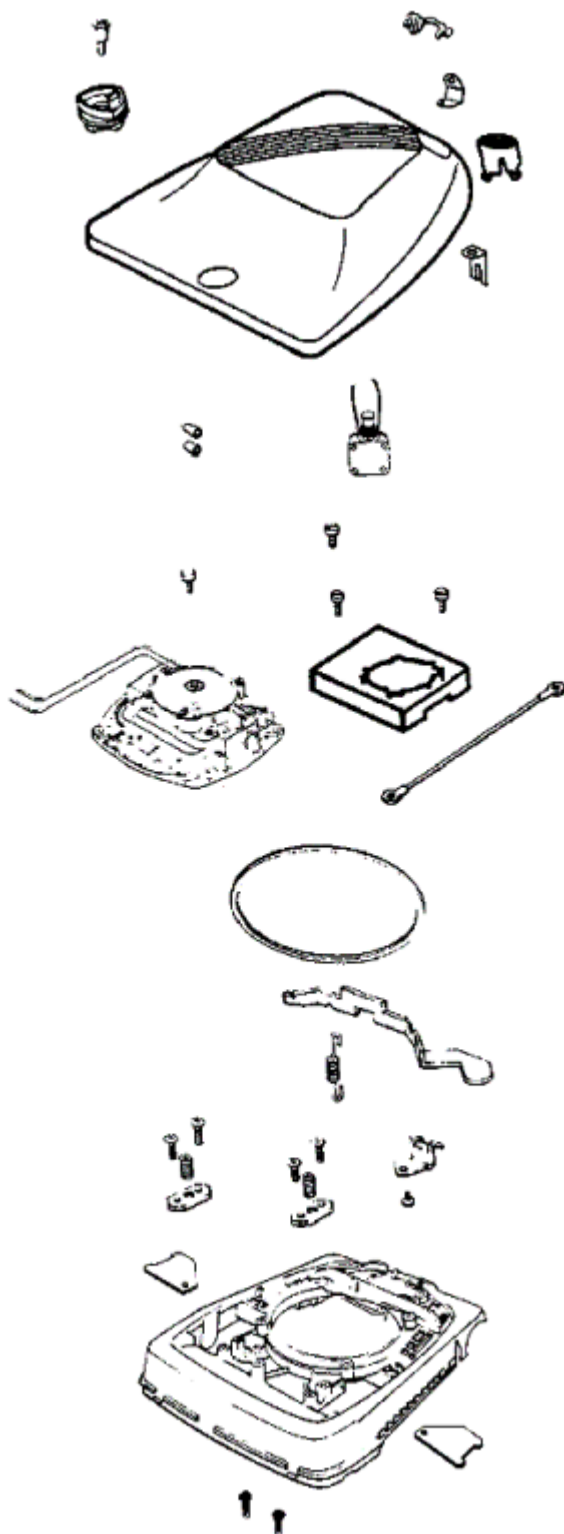
Model

**SC688A**

Commercial Upright

Base & Hood Assembly - SC688A

---

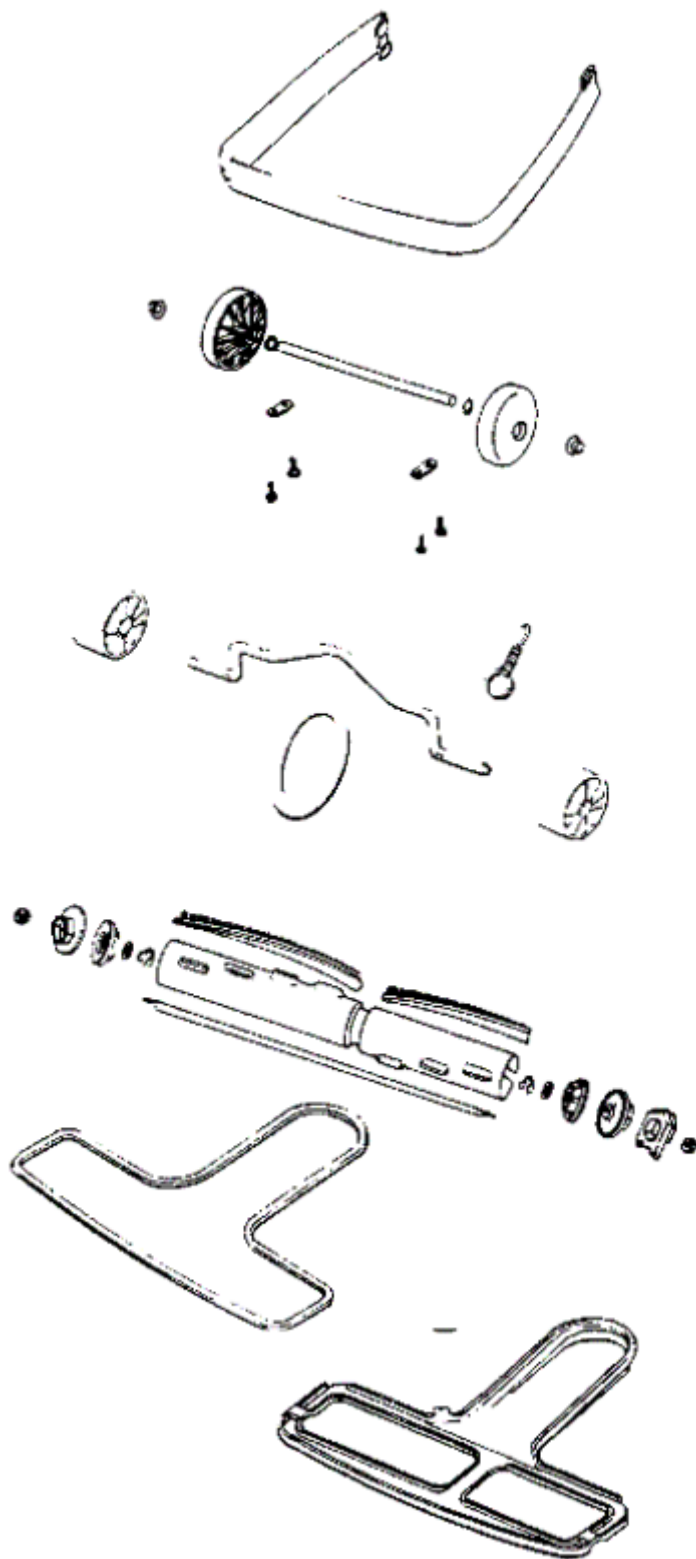


## Base &amp; Hood Assembly - SC688A

Ref #	Part	Description	Comments	Qty
1	14660-1	BUTTON SWITCH		
2	24834A-1	Discontinued, use 24834A-3		
3	24964A	CAM use 24964A-1		
4	24965A	CAM (L) use 24965A-1		
5	30517	GASKET - MOTOR SEAL		
6	36263	COVER - WHEEL		
7	37034	SPRING-ADAPT RETAINER		
8	37989	CLIP-SWITCH		
9	38053-2	KNOB ASY-BLNER (38053-1		
10	38067	SEPARATOR ASSY		
11	38218-1	BRACKET BUSHING		
12	53097	SPRINGS-FT PED-PKG5		
13	53118	RIVETS-PKG 10 (NLA) (NLA)		
14	53122	BUSHING-PKG10 (48114		
15	53133	STL WASHERS-PKG (48495 (NLA)		
16	53140	CLAMPS&SCREWS-PKG 6		
17	53143	SCREWS-PKG 10 (48868		
18	53214-1	WIRE NUTS/PKG 10		
19	53215-4	SCREW PACKAGE		
20	53238-11	SCREW PKG (EW312-10T8		
21	53238-13	SCREW PKG (53238-29		
22	26808-3	BUTTON-SWITCH (26808-2		
23	54151-2	Discontinued, use 13738-5		
24	54177	WIRE & TERMINAL ASSY		
25	54314-2	HOOD ASSY		
26	54352-3	MTR 1 SP 6.5 (14774-3)		
27	54410-9	BASE ASSY 12" - CARTONED		

Furniture Guard & Brushroll - SC688A

---

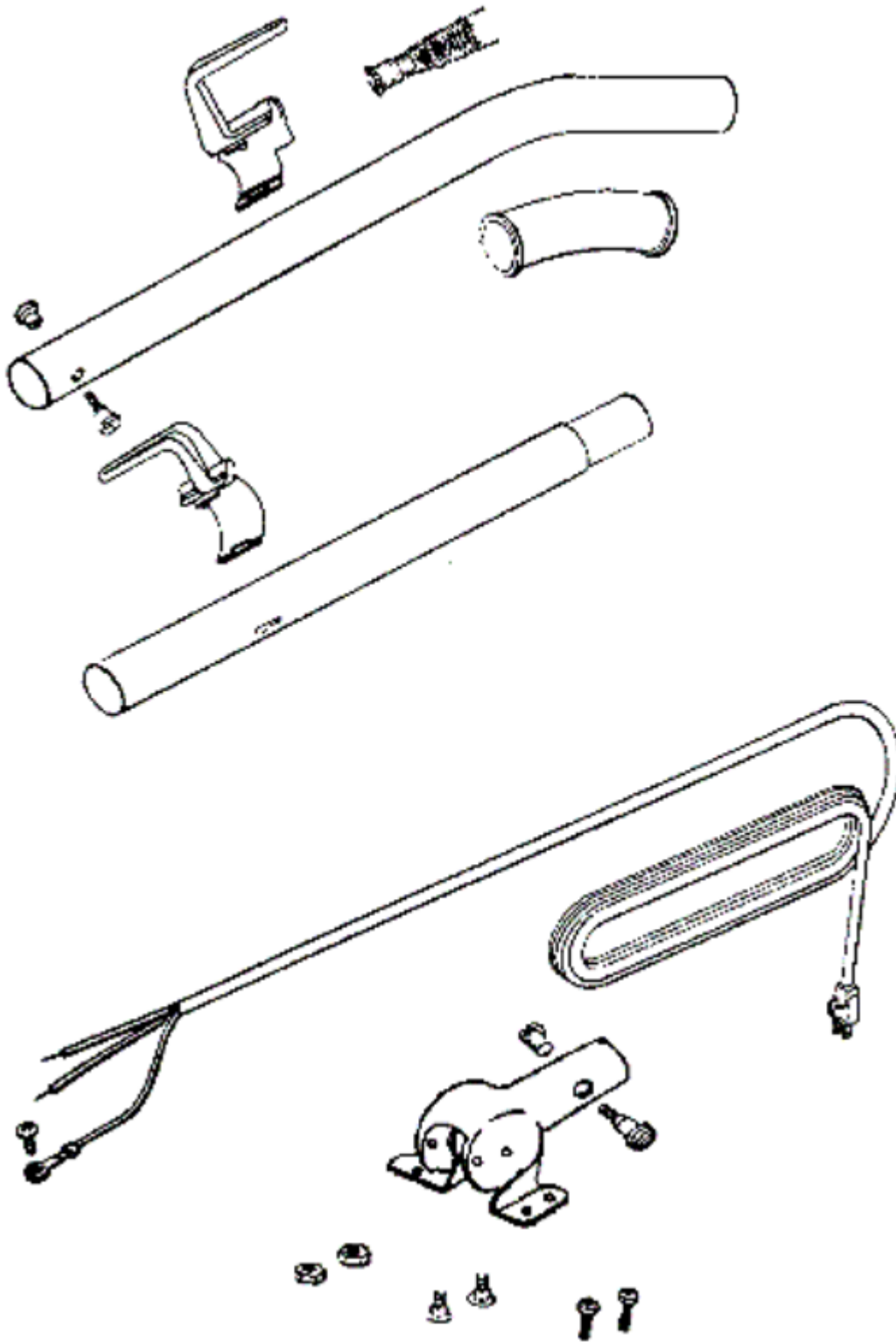


## Furniture Guard &amp; Brushroll - SC688A

Ref #	Part	Description	Comments	Qty
1	13236-3	TUBE - DISTURBUL (13236)		
2	25922-1	BOTTOM PLATE ASSY		
3	25937	SHAFT - DISTURBULATOR		
4	26057A	CAP - DISTURBULATOR		
5	26059A	CAP - COVER		
6	26242-1	REAR WHEEL use 26242-119N		
7	26296-9	Discontinued, use 27564-1		
8	35859A-1	WHEEL - FRONT		
9	35947A	AXLE - FRONT		
10	37183	AXLE - REAR		
11	37234-1	WHEEL & AXLE ASSY		
12	46538	TAPE-FOAM (use 46538-4)		
13	49899	WASHER - FELT (155316)		
14	52100	BELT PKG ASSY (UPRIGHT)		
15	52282-4	BRISTLE STRIP SE (52282-3)		
16	53076-2	AXLE SPRINGS-PKG (36407A)		
17	53110	WASHERS-PKG 10 (47585)		
18	53121	PUSH NUTS-PKG 10		
19	53158	LOCKNUTS-PKG 10 (49175)		
20	53184	KLIPRINGS-PKG 10 (49900)		
21	53201	CLAMPS-PKG 10 (55535-2)		
22	53238-11	SCREW PKG (EW312-10T8)		
23	53270	DIST ASSY (12") (26060A-1)		
24	54256	BRG & RET ASSY		

Handle - SC688A

---

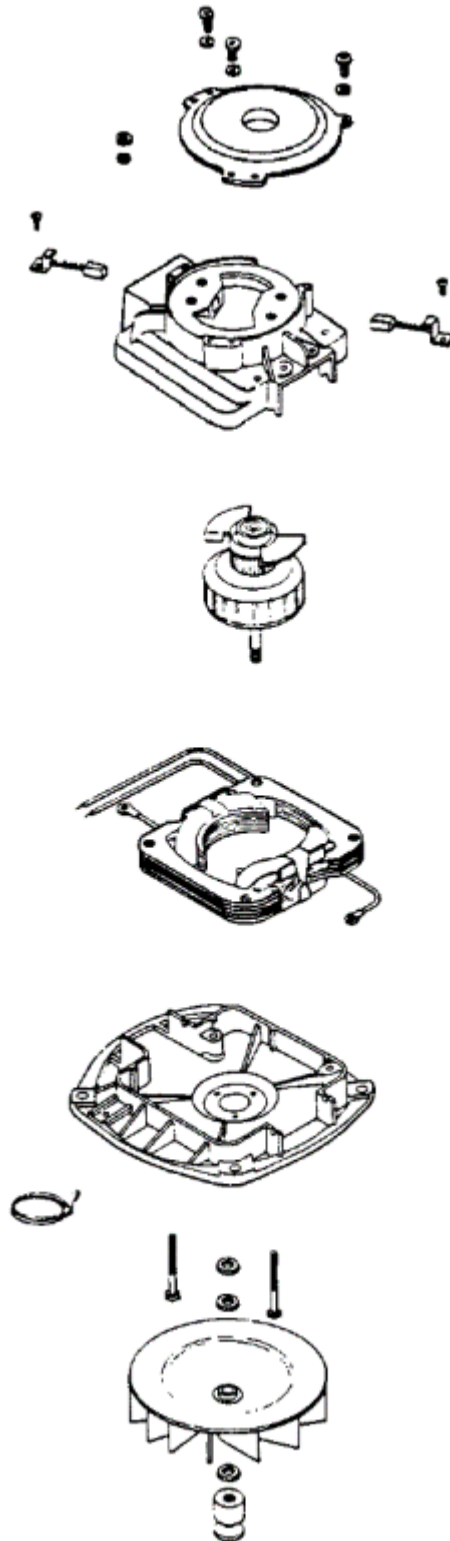


## Handle - SC688A

Ref #	Part	Description	Comments	Qty
1	12637-8	TUBE - HANDLE (LOWER)		
2	25329-20	HDLE ASSY-UPPER- (12636-5)		
3	35293-8	GRIP - HANDLE		
4	38183-1	HANDLE SOCKET ASSY		
5	38495	SPRING - STRAIN RELIEF PK		
6	52370-12	CORD & TERM ASSY-FB-50		
7	53145	BOLTS/PKG 10 (48870)		
8	53198-1	HDLE SCREWS/PKG (55468-1)		
9	53213-5	NUT PK 10 (EW14-10C)		
10	53228-2	SCREWS/PKG 10 (EW126-8P5Z)		
11	53238-13	SCREW PKG (53238-29)		
12	53574-1	RETNR PKG(UPPER&LOWER)BEIGE		

Motor - SC688A

---

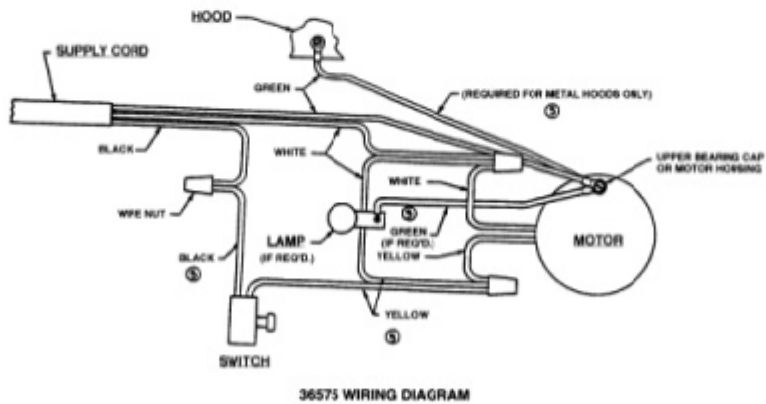
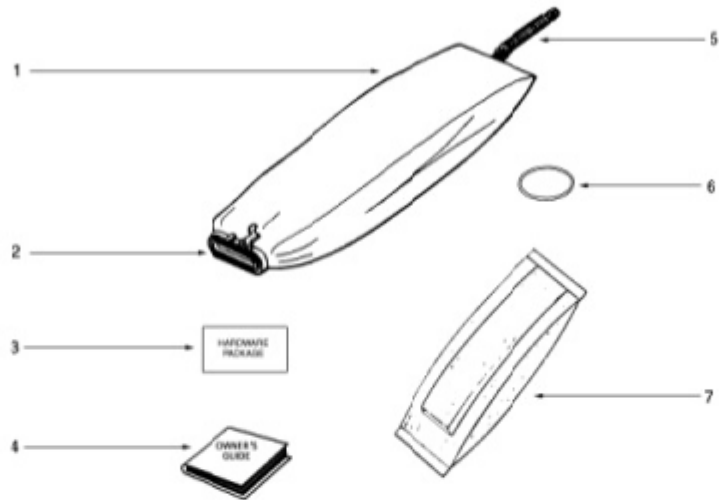




## Motor - SC688A

Ref #	Part	Description	Comments	Qty
1	12988	UPR MTR FAN-LEXAN		
2	20217E	RETAINER - UPPER BEARING		
3	30474A	FAN - MOTOR COOLING		
4	30478	MOTOR BRUSH ASSY		
5	37012-2	PULLEY - MOTOR DRIVE		
6	42875	BEARING RETAINER ASSY-W/L		
7	53088-1	BALL BEARING - PACKAGE		
8	53138	SCREWS-PKG 10		
9	53142	SCREWS (PKG OF 1 (48855 (NLA)		
10	53148	FAN WASHERS-PKG 10 (felt)		
11	53187-1	RIVETS-PKG10		
12	53188-1	WASHERS-PKG10 (metal)		
13	53213-4	NUTS-PKG 10 (EW14-8ZP		
14	53219-2	SCREWS PKG 10		
15	53222-3	LK WSHRS-PKG10		
16	53441-2	FIELD ASSY		
17	54169-1	MOTOR BASE ASSY		
18	54395-4	ARMATURE KIT		
19	54396	MOTOR COVER ASSY - LABEL		
20	56802-2	Discontinued, use 46713-1		

Bag & Wiring - SC688A



## Bag &amp; Wiring - SC688A

Ref #	Part	Description	Comments	Qty
1	53469-23	ZIPPER BAG ASSY - PACKAGE		
2	77491	DIRT TUBE & OVERMOLD ASSE		
3	49461B-4SV	HARDWARE PKG - COMM UPRIG		
4	78091			
5	47722	SPRING - BAG(49077)		
6	48410	SPRING - GARTER		
7	63213	UPR ST DUSTBAG W/A&H PATCH		