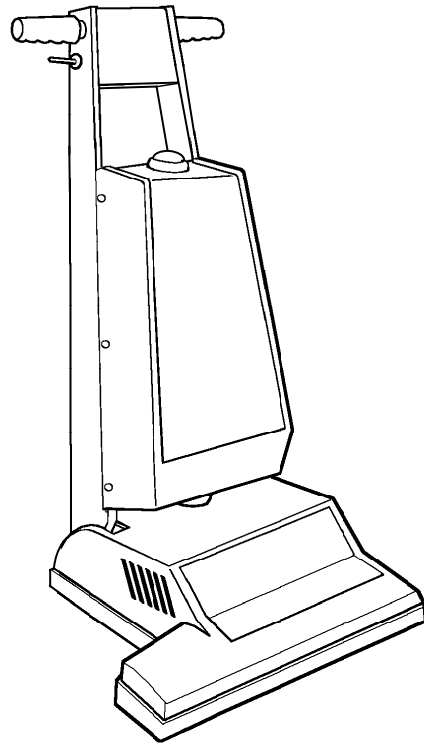


# SH 460

---



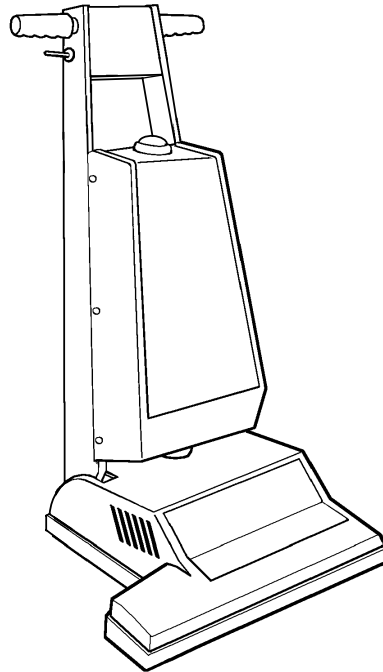
## **PARTS LIST** **Nilfisk MODEL 56245350**



**Nilfisk**  
**Advance**  
*setting standards*

6/97 revised 11/99 FORM NUMBER 56042330  
BOOK C SECTION 3.3.1

97-6	<b>TABLE OF CONTENTS</b>	<b>BOOK C</b>		
99-11	<b>SH 460</b>	<b>C</b>	<b>3.3.1</b>	<b>1</b>

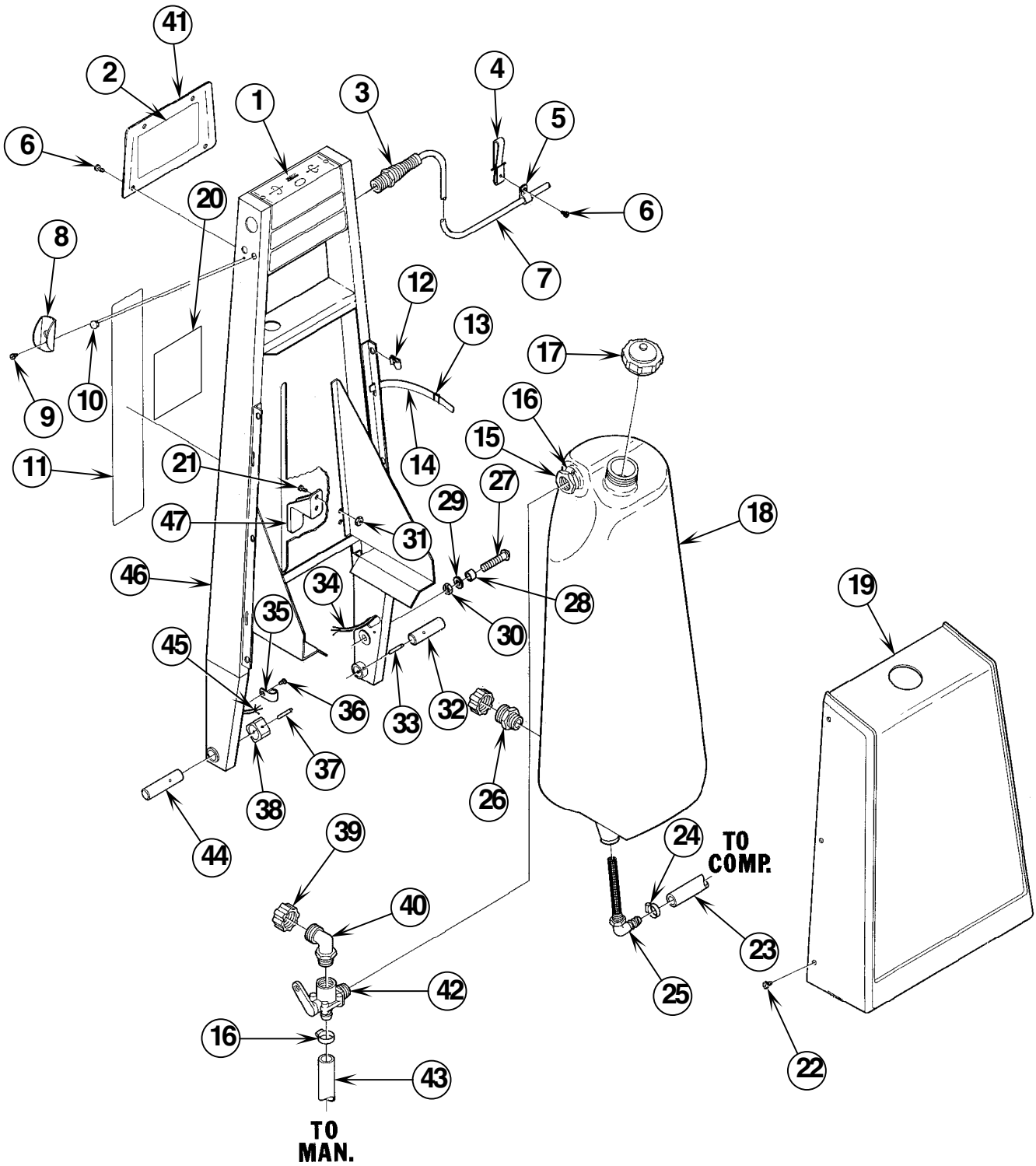


<b>DESCRIPTION</b>	<b>PLAN</b>
Handle - Front .....	C-3.3.1-3
Handle - Rear.....	C-3.3.1-5
Base Assembly .....	C-3.3.1-7
Brush and Adjustment Linkage.....	C-3.3.1-9
Compressor.....	C-3.3.1-11
Wiring Diagram .....	C-3.3.1-13

**WHEN ORDERING PARTS**

- \* Use the 8 digit numbers from the "Ref. No." columns in this parts list.
- \* Specify the model and serial number of the machine.
- \* Use the space below to record the model and serial number for future reference.

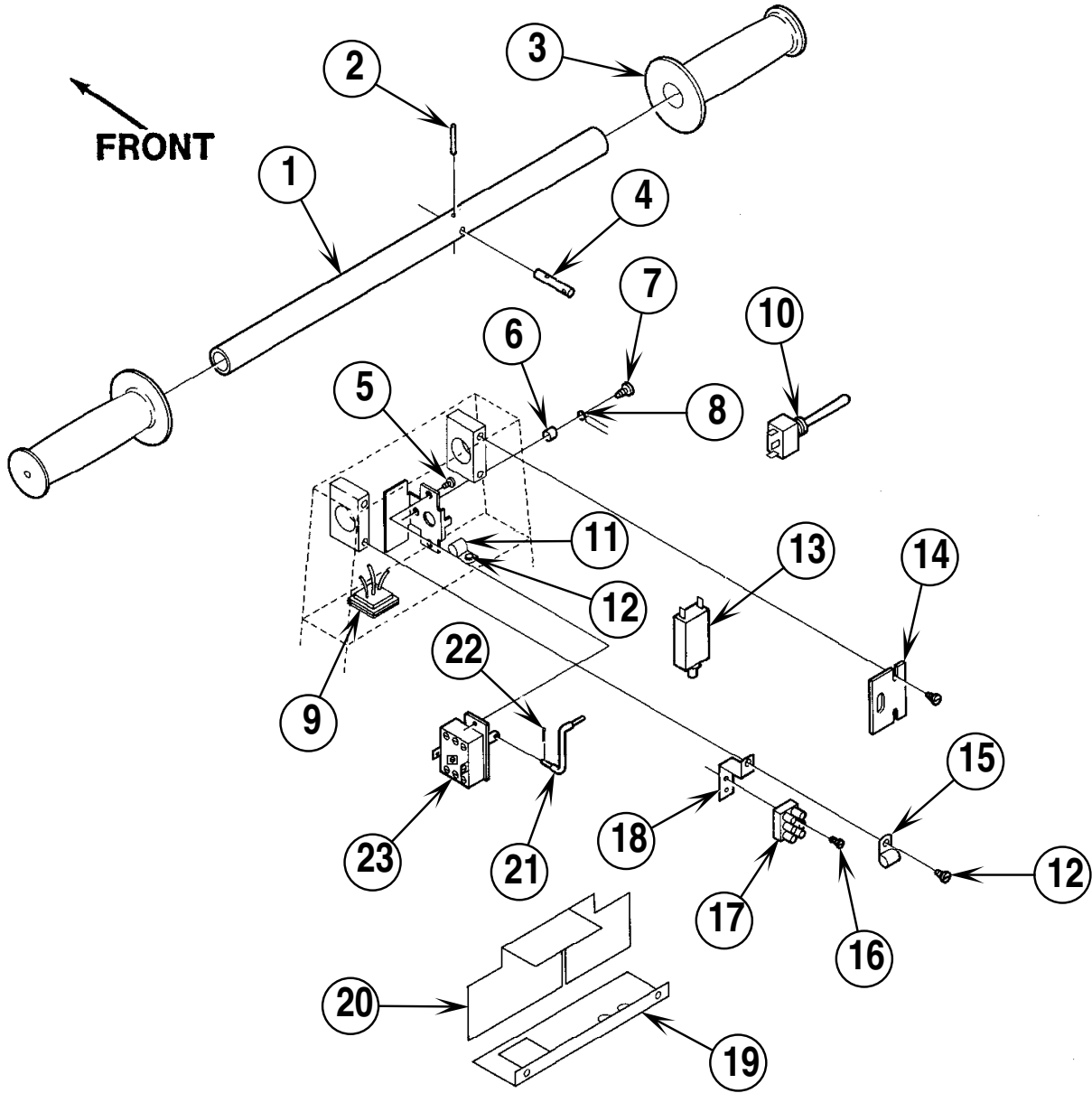
Model \_\_\_\_\_ Serial No. \_\_\_\_\_



97-6	<b>HANDLE - FRONT</b>	<b>BOOK C</b>		
99-11	<b>SH 460</b>	<b>C</b>	<b>3.3.1</b>	<b>3</b>

Item	Ref. No.	Qty	Description
	56245354	1	Handle Assy
1	56015988	1	Decal, Handle
2	56014593	1	Decal, Wiring
3	56323046	1	Strain Relief
4	56300187	1	Belt Clip
5	56300152	1	Clamp
6	56009161	5	Scr, Pan Phil Thd Form 8-32 x .50
7	56244835	1	Cord Set ( <b>includes 4-6</b> )
8	56200352	1	Switch Guard
9	56001904	1	Scr, Pan Phil 6-32 x .38
10	56153648	1	Button Plug
11	56015285	1	Decal, Gauge
12	56255874	6	Nut
13	56245013	2	Buckle
14	56245041	8'	Strap (244 cm)
15	56244976	1	Tube
16	56244969	3	Hose Clamp
17	56244866	1	Cap
18	56244851	1	Tank
19	56245322	1	Shroud
20	56015093	1	Decal, Caution
21	56002453	2	Scr, Pan Phil 10-24 x .25
22	56001818	6	Scr, Pan Phil 8-32 x .38
23	56244967	1	Hose
24	56219932	3	Hose Clamp
25	56244987	1	Bubbler
26	56244980	1	Adapter
27	56002721	1	Scr, Hex Hd 5/16-18 x 2.00
28	56244941	1	Bushing
29	56002220	1	Wsh, Ft Std 5/16
30	56002701	1	Nut, Hex Nyl Loc 5/16-18
31	56002832	2	Nut, Hex Nyl Loc-Thin 10-24
32	56244858	1	Pin
33	56001932	1	Pin, Spr .19 x .88
34	56244829	1	Cord Set
35	56442011	2	Clamp
36	56009075	2	Scr, Hex Thd Form 8-32 x .38
37	56002082	1	Pin, Spr .19 x 1.00
38	56244834	1	Cam
39	56255076	2	Cap
*	56368776	2	Rubber Washer
40	56245072	1	Elbow
41	56245321	1	Cover
42	56245078	1	Valve
43	56245018	1	Tube
44	56244873	1	Pin
45	56245043	1	Cord Set
46	56245323	1	Handle
47	56392765	1	Cord Hook
*	56220426	1	Funnel
*	56218881	1	Brush

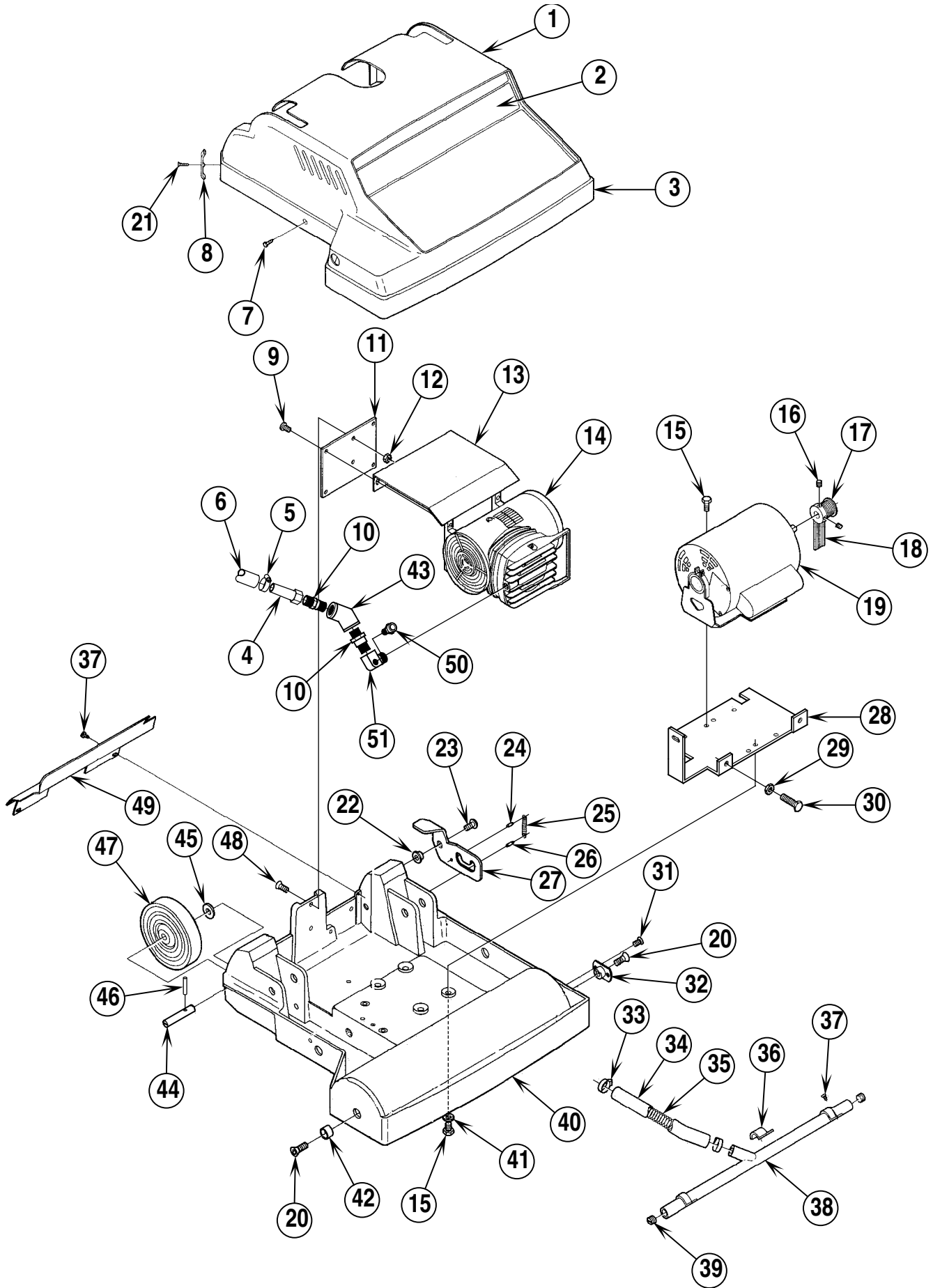
\* = Not Shown



97-6	<b>HANDLE - REAR</b>	<b>BOOK C</b>		
99-11	<b>SH 460</b>	<b>C</b>	<b>3.3.1</b>	<b>5</b>

Item	Ref. No.	Qty	Description
1	56245002	1	Tube
2	56002291	1	Pin, Spr .12 x 1.00
3	56900248	2	Grip
4	56245004	1	Pin
5	56009032	2	Scr, Hex Thd Form 6-32 x .38
6	56369004	1	Bushing
7	56001993	1	Scr, Pan Phil 10-24 x .50
*	56002768	1	Nut, Hex Nyl Loc 10-24
8	56245060	1	Spring
9	56254223	1	Receptacle <b>(optional)</b>
10	56468350	1	Switch
11	56442011	2	Clamp
12	56009075	4	Scr, Hex Thd Form 8-32 x .38
*	56002865	1	Nut, Hex Nyl Loc-Thin 8-32
13	56387562	1	4A Circuit Breaker
14	56245000	1	Plate
15	56300152	1	Clamp
16	56002251	2	Scr, Pan Phil 4-40 x .62
17	56183523	1	Terminal Block
18	56245333	1	Bracket
19	56244955	1	Insulator
20	56244952	1	Insulator
21	56244996	1	Link
22	56002245	2	Pin, Cotter .06 x .50
23	56221155	1	Switch

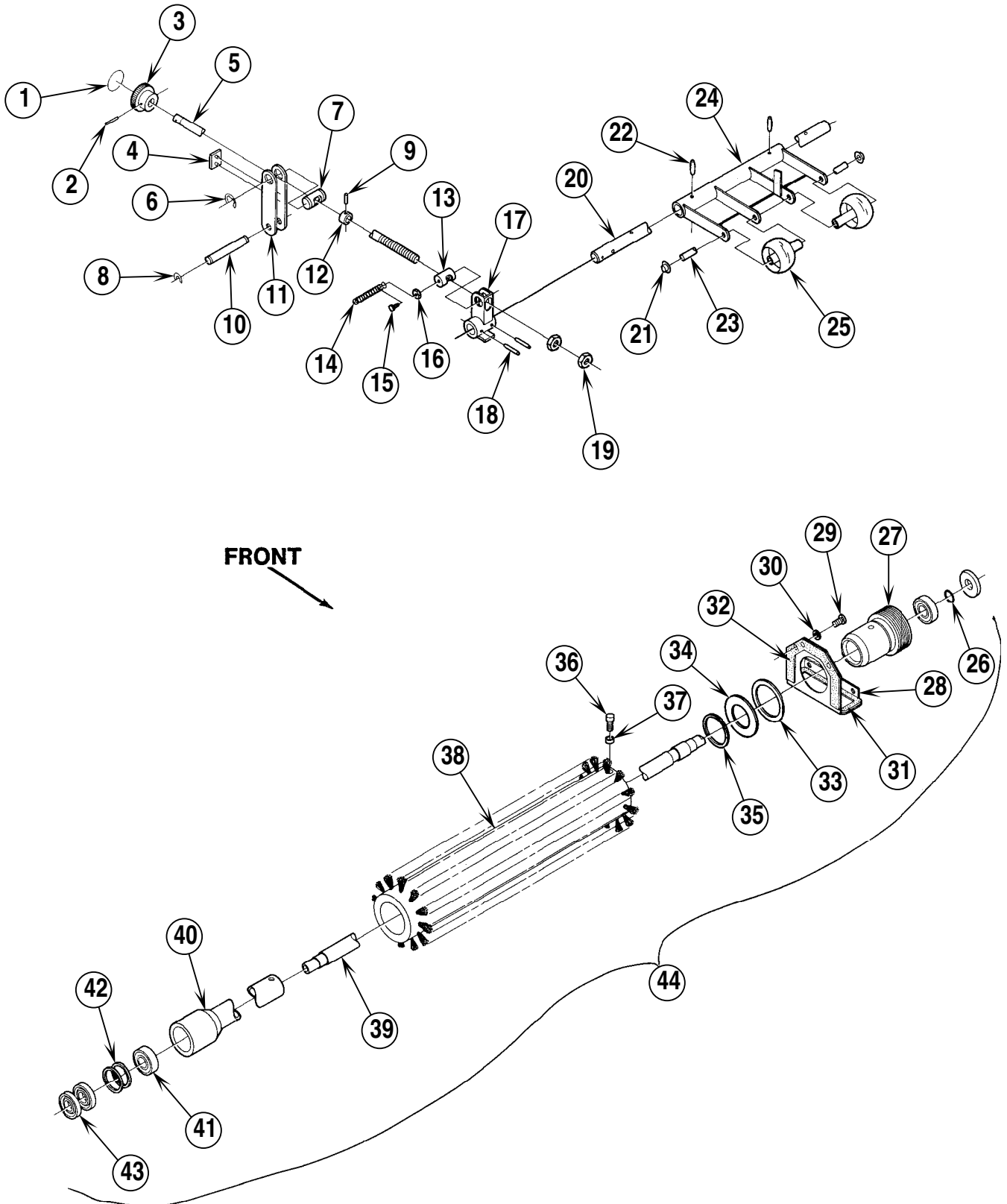
\* = Not Shown



97-6	<b>BASE ASSEMBLY</b>	<b>BOOK C</b>		
99-11	<b>SH 460</b>	<b>C</b>	<b>3.3.1</b>	<b>7</b>

Item	Ref. No.	Qty	Description	Item	Ref. No.	Qty	Description
	56245351	1	Shroud Assembly	26	56151122	1	Pin
1	56245352	1	Shroud	27	56244936	1	Latch
2	56015987	1	Decal, Base	28	56245186	1	Plate
3	56244956	1	Bumper	29	56009085	2	Nut, Hex Jam 3/8-16
4	56752754	1	Barb	30	56002058	2	Scr, Hex Hd 3/8-16 x 2.25
5	56756364	1	Hose Clamp	31	56009040	2	Scr, Flt Phil 10-24 x .38
6	56244935	1	Hose	32	56218111	1	Support
7	56009042	3	Scr, Pan Phil Thd Form 10-24 x .62	33	56244969	2	Hose Clamp
8	56244846	3	Clip	34	56245018	1	Tube
9	56002503	4	Scr, Hex Hd 10-24 x .50	35	56245010	1	Spring
10	56218510	2	Check Valve	36	56245076	1	Strap
11	56245306	1	Plate	37	56009012	8	Scr, Hex Thd Form 10-24 x .38
12	56002768	2	Nut, Hex Nyl Loc 10-24	38	56245068	1	Manifold
13	56245312	1	Shield		56220088	4'	Gasket (1220 mm)
14	56219215	1	Compressor	39	56261421	2	Plug
	56237647	1	Comp Assy	40	56245304	1	Base
			<b>(#14,4-6, 10, 43 &amp; 50-51)</b>	41	56002220	4	5/16 Washer
15	56002923	8	Scr, Hex Hd Loc 5/16-18 x .50	42	56218146	1	Collar
16	56002021	2	Scr, Soc Set Loc 5/16-18 x .38	43	56220526	1	Coupler
17	56245605	1	Sheave	44	56245347	2	Axle
18	56245608	1	Belt	45	56001879	8	Washer
19	56218529	1	Motor	46	56003220	2	Pin
20	56002159	2	Scr, Flt Hd Soc 5/16-18 x 1.00	47	56161691	2	Wheel
21	56009065	3	Scr, Flt Phil Thd Form 10-24 x .50	48	56009127	2	Scr, Flt Phil Thd Form 10-24 x .62
22	56320595	1	Bushing	49	56245306	1	Cover
23	56002929	5	Scr, Hex Hd 5/16-18 x .62	50	56257990	1	Relief Valve
24	56244939	1	Pin	51	56219798	1	Elbow
25	56321087	1	Spring				

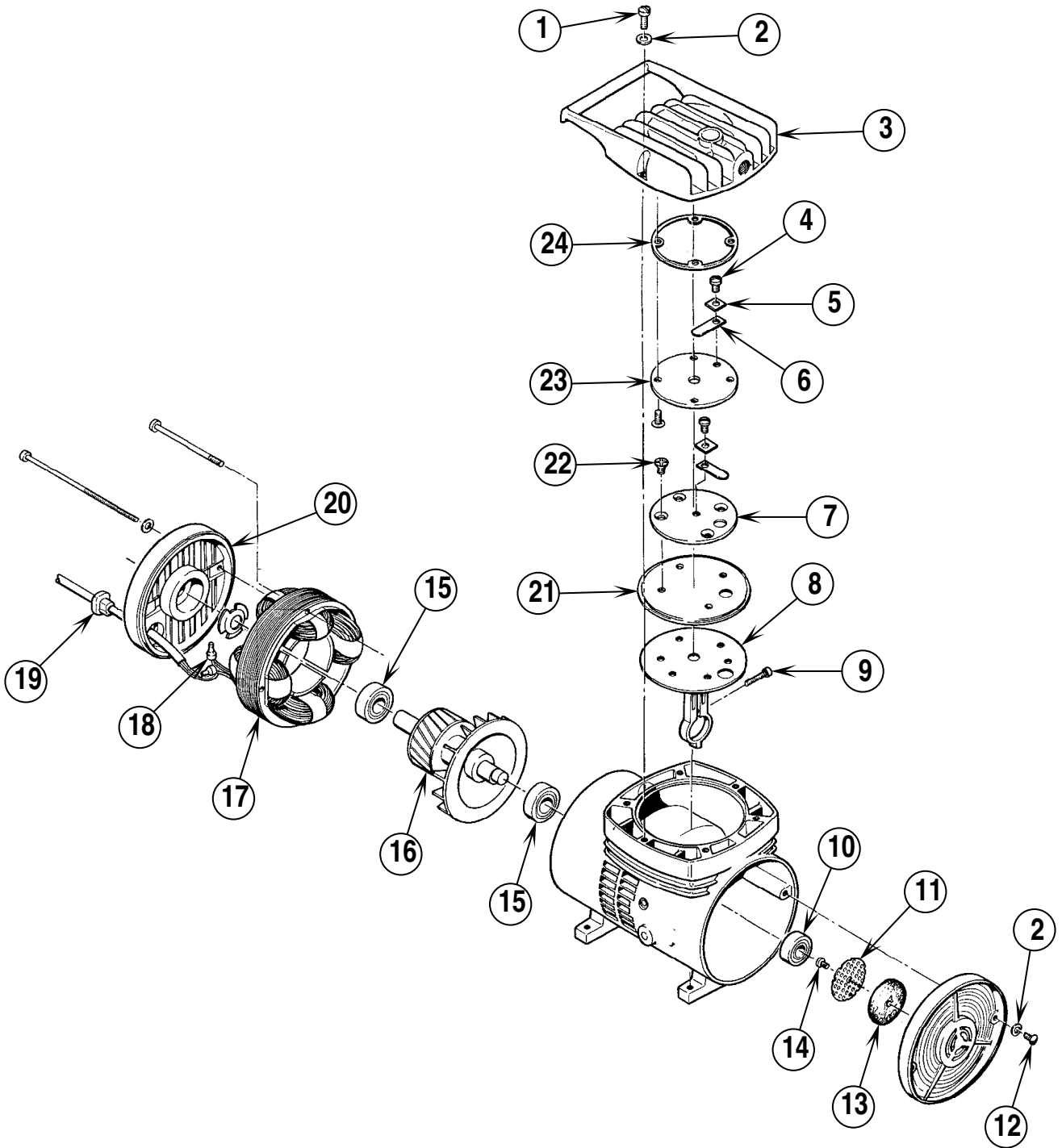




FRONT

97-6	<b>BRUSH AND ADJUSTMENT LINKAGE</b>	<b>BOOK C</b>		
99-11	<b>SH 460</b>	<b>C</b>	<b>3.3.1</b>	<b>9</b>

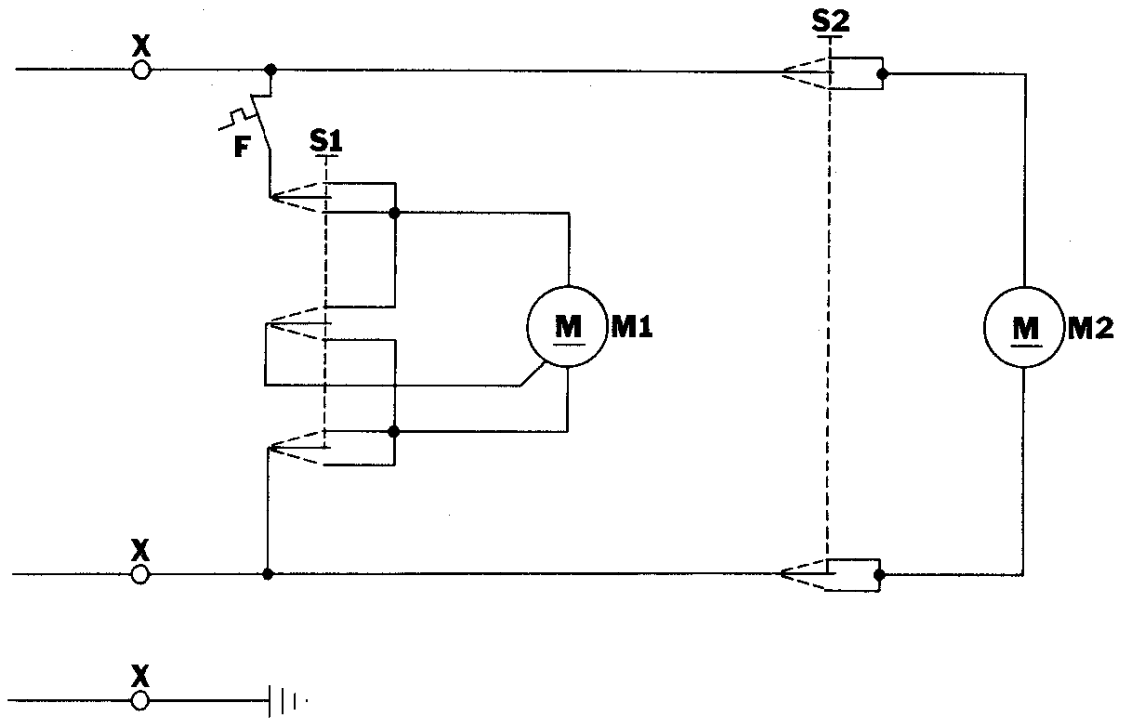
Item	Ref. No.	Qty	Description
	56245339	1	Control Assembly (#1-19)
1	56023092	1	Decal, Brush
2	56002291	1	Pin, Spr .12 x 1.00
3	56395061	1	Knob
4	56362069	1	Wear Plate
5	56244861	1	Screw
6	56003265	2	Retaining Ring
7	56245030	1	Swivel
8	56003262	2	Retaining Ring
9	56002474	1	Pin, Spr .12 x .62
10	56244865	1	Pin
11	56244854	1	Arm
12	56245022	1	Collar
13	56219169	1	Nut
14	56379301	1	Spring
15	56003128	1	Scr, Hex Hd 8-32 x .38
16	56002808	1	Nut, Hex Nyl Loc 8-32
17	56244869	1	Lever
18	56002082	2	Pin, Spr .19 x 1.00
19	56009035	2	Nut, Hex Jam 7/16-14
20	56244896	1	Shaft
21	56009132	2	Cap, Stud
22	56001932	2	Pin, Spr .19 x .88
23	56244810	1	Pin
24	56244884	1	Bracket
25	56323086	2	Wheel
26	56217999	1	Retaining Ring
27	56245602	1	Sheave
28	56244898	1	Shield
29	56002124	4	Scr, Pan Phil 10-24 x .62
30	56009011	4	Wsh, Int Shprf #10
31	56244905	1	Gasket
32	56244903	1	Gasket
33	56220965	1	Washer
34	56217875	1	Seal
35	56218448	1	Retaining Ring
36	56003200	2	Scr, Soc Hd SS 1/4-28 x .75
37	56368997	2	Bushing
38	56244928	1	Brush
39	56244926	1	Shaft
40	56244930	1	Sleeve
41	56372773	2	Bearing
42	56220108	2	Spacer
43	56218049	3	Seal
44	56244961	1	Brush Assembly (#26-43)



97-6	<b>COMPRESSOR</b>	<b>BOOK C</b>		
99-11	<b>SH 460</b>	<b>C</b>	<b>3.3.1</b>	<b>11</b>

Item	Ref. No.	Qty	Description
	56219215	1	Compressor
1		6	Scr, Fillister Hd 10-24 x .50
2		8	#10 washer
3	56220951	1	Head
4		2	Scr, Rd Hd 6-32 x .12
5	56220963	2	Valve Keeper
6	56220955	2	Flapper Valve
7	56220958	1	Intake Valve Plate
8	56220532	1	Connecting Rod
9	56002487	1	Scr, Soc Hd 10-24 x .75
10	56220528	1	Con Rod Bearing
11	56220516	1	Screen
12		2	Scr, Rd Hd 10-24 x .75
13	56220513	1	Filter
14	56009036	1	Scr, Pan Phil Thd Form 8-32 x .25
15	56220529	2	Bearing
16	56220534	1	Shaft & Rotor Assy
17	56220519	1	Stator
18	56321737	2	Wire Nut
19	56163015	1	Strain Relief
20	56220535	1	End Cap
21	56220950	1	Diaphragm
22	56002306	8	Scr, Flt Phil 8-32 x .38
23	56220930	1	Exhaust Valve Plate
24	56220953	1	Gasket

230V



97-6	<b>WIRING DIAGRAM</b>	<b>BOOK C</b>		
99-11		<b>SH 460</b>	<b>C</b>	<b>3.3.1</b>

Item	Ref. No.	Qty	Description
X	56183523	1	Terminal Block
S1	56221155	1	Switch
S2	56468350	1	Switch
F	56387562	1	Circuit Breaker 4A
M1	56218529	1	Brush Motor
M2	56219215	1	Compressor Motor

**DANMARK**

Nilfisk-Advance Nordic A/S  
 Myntevej 3, 8900 Randers  
 ☎ 86 42 84 33 – Fax 86 41 19 55

**NORGE**

Nilfisk-Advance AS  
 Enebakkn, 119, 0680 Oslo, Postboks 196, Manglerud,  
 0612 Oslo  
 ☎ 22 08 63 50 – Fax 22 08 63 63  
 Distriktsrepresentanter over hele landet

**SVERIGE**

Nilfisk-Advance AB  
 Sjöbjörnsvägen 5, 117 67 Stockholm  
 ☎ 085 55 944 00 – Fax 085 55 944 30

**FINLAND/ SUOMI**

BERNER Ltd. Facotek Department  
 Etäleranta 4B, 00130 Helsinki  
 ☎ +358 9 1345 1382

**AUSTRALIA**

Nilfisk-Advance Pty. Ltd.  
 ACN 003 762 623  
 Head office: 17 Leeds Street, Rhodes, N. S. W. 2138  
 ☎ (02) 9736 1244 – Fax (02) 9736 3910  
 Customer Responce Centre:  
 ☎ 1 800 011 013

**BELGIQUE / BELGIË/ LUXEMBOURG**

Nilfisk-Advance s.a./n.v.  
 Doornveld/ Sphere Business Park  
 Industrie Asse 3, nr 11 – bus 41  
 1731 Zellik-Asse  
 ☎ (02) 467.60.50 Fax (02) 463.44.16

**CANADA**

Nilfisk-Advance Ltd.  
 396 Watline Avenue  
 Mississauga, Ontario L4Z 1X  
 ☎ (905) 712-3260 – Fax (905) 712-3255

**DEUTSCHLAND**

Nilfisk-Advance AG  
 Siemensstraße 25-27  
 25462 Rellingen  
 ☎ (041 01) 3990 – Fax (04101) 399191  
 Zentraler Kundenservice  
 ☎ für die Industrie: 0180 535 67 97  
 ☎ Institutionen und Gebäudereiniger: 0180 500 11 70

**FRANCE**

Nilfisk-Advance S.A.  
 BP 246  
 91944 Courtaboeuf Cedex  
 ☎ (01) 69.59.87.00 Télécopie (01) 69.59.87.01

**HONG KONG**

Nilfisk-Advance Ltd.  
 2001, 20/F HK Worsted Mills  
 Industrial Building  
 31-39 Wo Tong Tsui Street  
 Kwai Chung, N.T.  
 ☎ 2427 59 51 – Fax 2487 5828

**IRELAND**

Nilfisk-Advance Ltd.  
 28 Sandyford Office Park  
 Dublin 18  
 ☎ +353 1 2943838 – Fax +353 1 2943845

**JAPAN**

Nilfisk-Advance Inc.  
 3-4-9 Chigasaki Minami  
 Tsuzuki-Ku Yokohama 224  
 ☎ 045-942-7741 – Fax 045-942-6545

**MALAYSIA**

Nilfisk-Advance Sdn Bhd  
 Lot 2, 1<sup>st</sup>. Floor  
 Lorong 19/1A  
 46300 Petaling Jaya  
 Selangor Darul Ehsan  
 ☎ 03-7568188 / 03-7568189 / 03-7568388 – Fax 03-7566828

**NEDERLAND**

Nilfisk-Advance B.V.  
 Flevolaan 7, Postbus 341  
 1380 AH Weesp  
 ☎ 0294-462121 – Fax 0294-430053

**NEW ZEALAND**

Nilfisk-Advance Limited  
 477 Great South Road, Penrose  
 Auckland  
 ☎ (09) 525 0092 – Fax (09) 525 6440

**SCHWEIZ / SUISSE**

Nilfisk-Advance AG  
 Ringstrasse 19, 9533 Kirchberg/Wil  
 ☎ 719 23 52 83 – Fax 719 23 84 44

**SINGAPORE**

Nilisk-Advance Pte. Ltd.  
 22, Woodlands Industrial Park E1  
 Singapore 757740  
 ☎ (65) 759 9100 – Fax (65) 759 9133

**TAIWAN**

Nilfisk-Advance Ltd.  
 1 F, No.23, Lane 132, Sec. 2  
 Ta An Road, Taipei  
 ☎ 700 22 68 – Fax 784 08 43

**UNITED KINGDOM**

Nilfisk-Advance Limited  
 Newmarket Road  
 Bury St. Edmunds  
 Suffolk IP 33 3SR  
 ☎ (01284) 763163 – Fax (01284) 750562

**USA**

Nilfisk-Advance Inc.  
 14600 21<sup>st</sup> Avenue North  
 Plymouth, MN 55447-3408  
 ☎ +1 800 989 2235 – Fax 1 800 989 6566

Nilfisk-Advance of America, Inc.

300 Technology Drive  
 Malvern, PA 19355  
 ☎ (610) 647 647-6427

**ÖSTERREICH**

Nilfisk-Advance GmbH  
 Vorarlberg Allee 46  
 1230 Wien  
 ☎ 1 616 58 30 – Fax 1 616 58 30 40

**ESPAÑA**

Nilfisk-Advance, S.A.  
 Torre D'Ara  
 Passeig del Rengle, 5 Pl.9-10  
 E-08302 – Mataró (Barcelona)  
 ☎ Tel. 93 741 24 00 – Fax: 93 757 80 20  
 Central atención al cliente: 902 200 201  
[nilfisk@nilfisk-advance.es](mailto:nilfisk@nilfisk-advance.es) – [www.nilfisk-advance.com](http://www.nilfisk-advance.com)  
 Distribuidores y Servicio Técnico en toda España y Andorra

**ITALIA**

Nilfisk-Advance Italia Spa  
 Località Novella Terza  
 26862 Guardamiglio (LO)  
 Italy  
 ☎ +39 0377 414067-54 – Fax +39 0377 414097  
[www.nilfisk-advance.com](http://www.nilfisk-advance.com)

**PORTUGAL**

Nilfisk-Advance Lda.  
 Rua Cândido de Figueiredo, 91-i, 1500-133 LISBOA  
 ☎ 01/7784142 – Fax 01/7785613  
 Porto 02/526766 – Fax 02/520739  
 Açores 096/628092/3 – Fax 096/628129  
 Madeira 091/228965 – Fax 091/228796

**GREECE**

Embiom S.A.  
 Λεωφ. Βουλιαγμένης 60  
 Αργυρούπολη  
 164 52 Αθήνα  
 ☎ 9950613 - Fax 9951680



# Material composition of the Nilfisk SH 460

