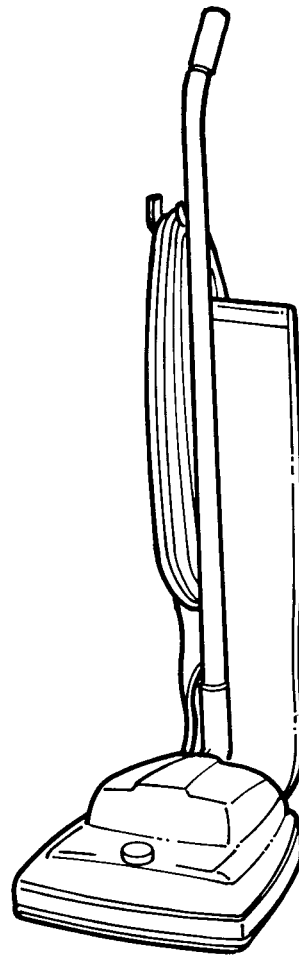


Commercial Upright Vacuum Cleaner

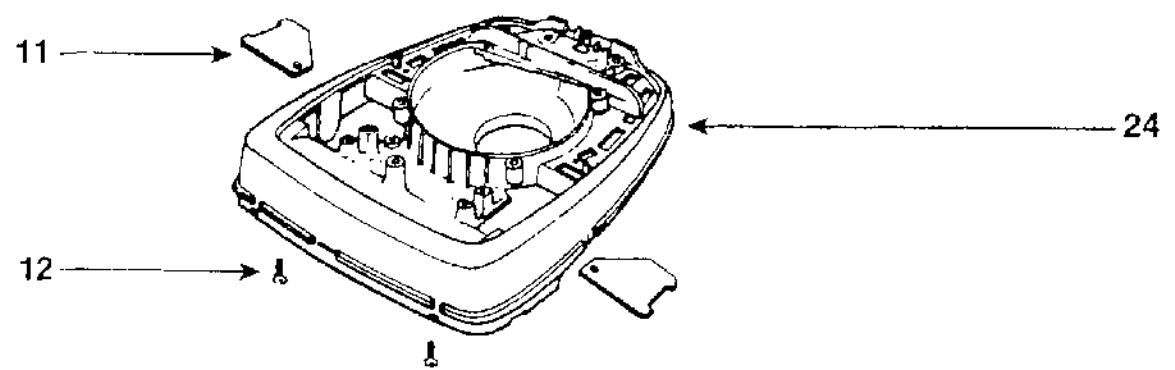
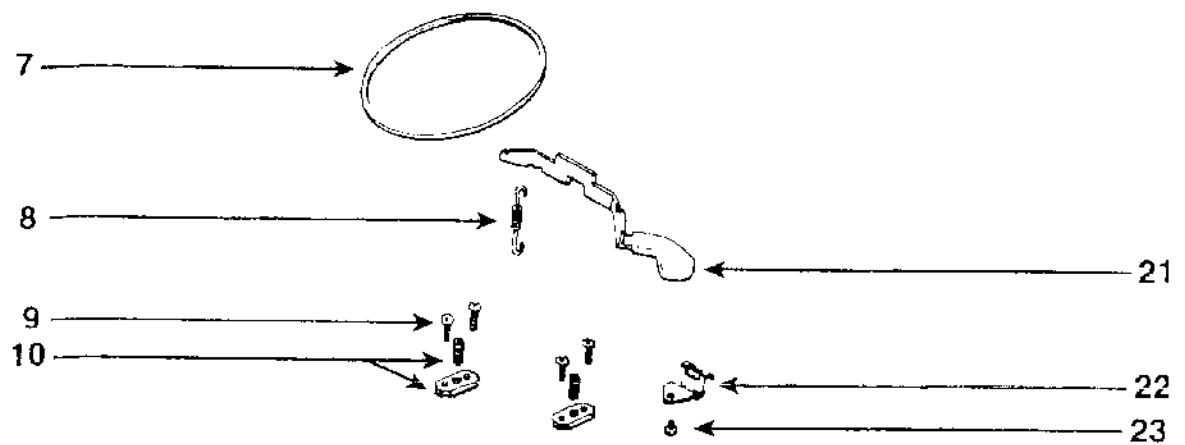
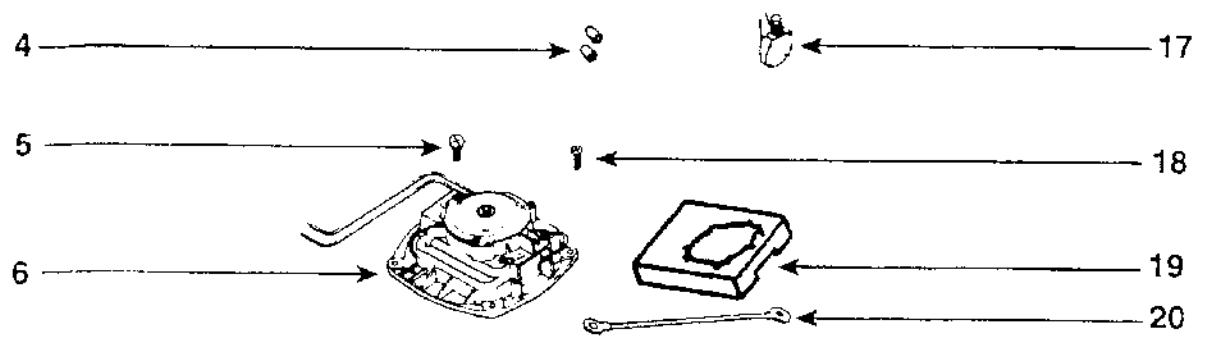
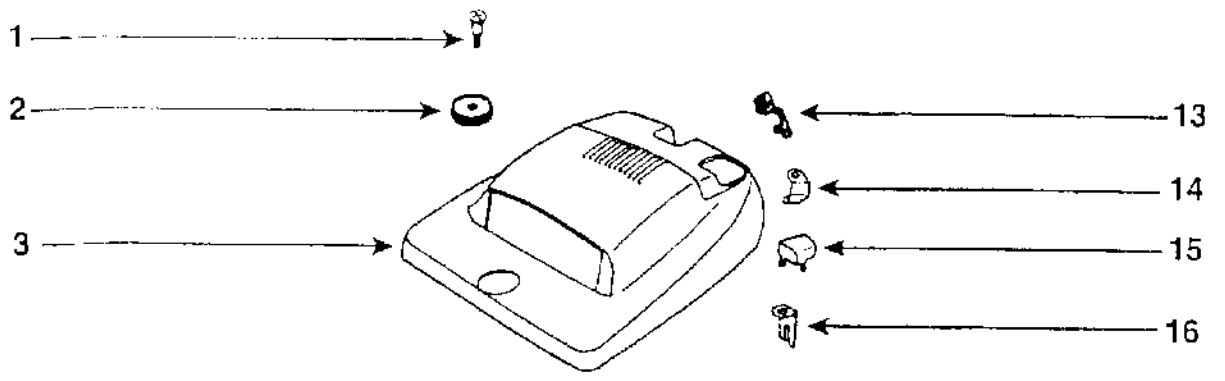
Parts List Manual



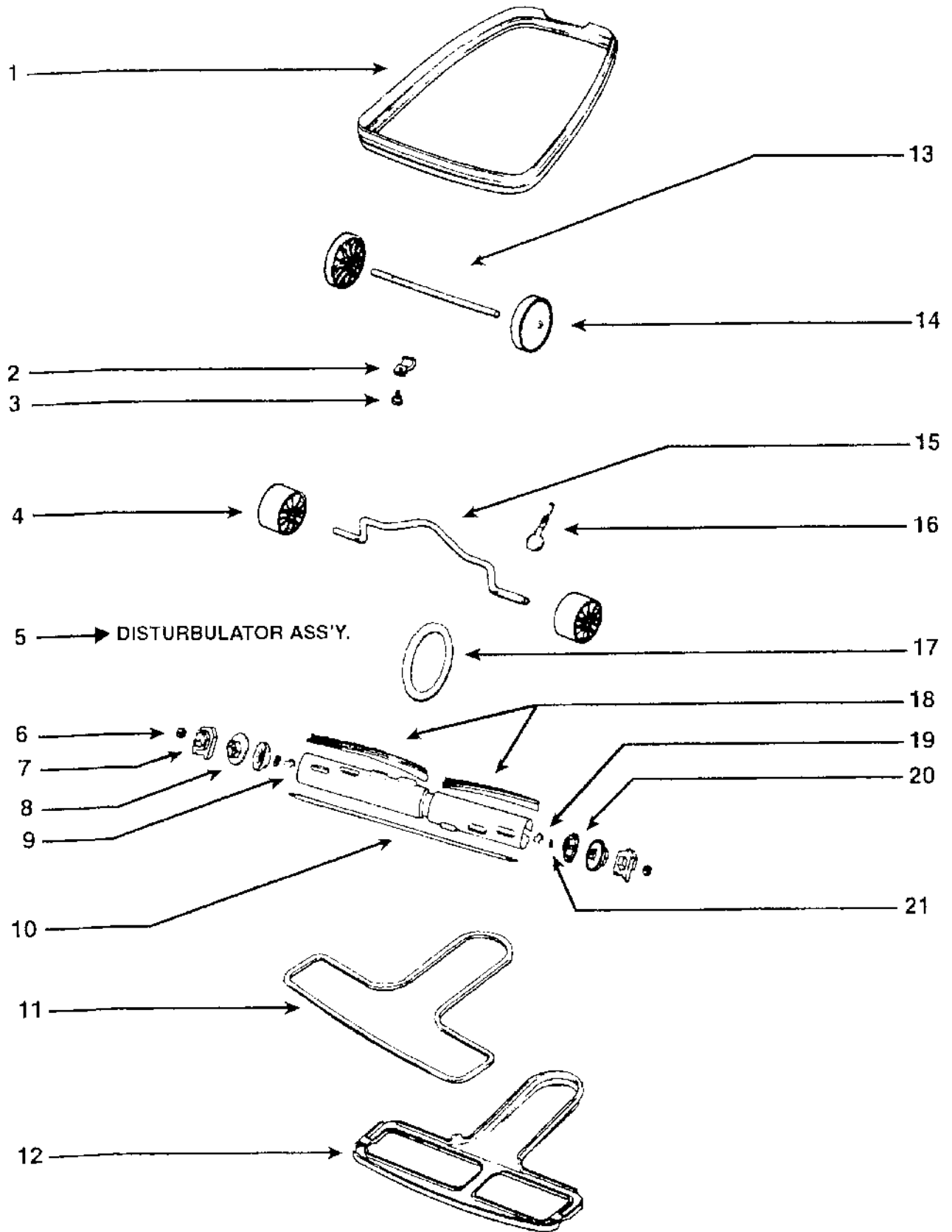
TENNANT COMPANY
Commercial Products
12875 RANSOM STREET
HOLLAND MI 49424 U.S.A.

FAX: 1-800-678-4240
CUSTOMER SERVICE: 1-800-522-7839

608742
Rev. 01 (06-00)



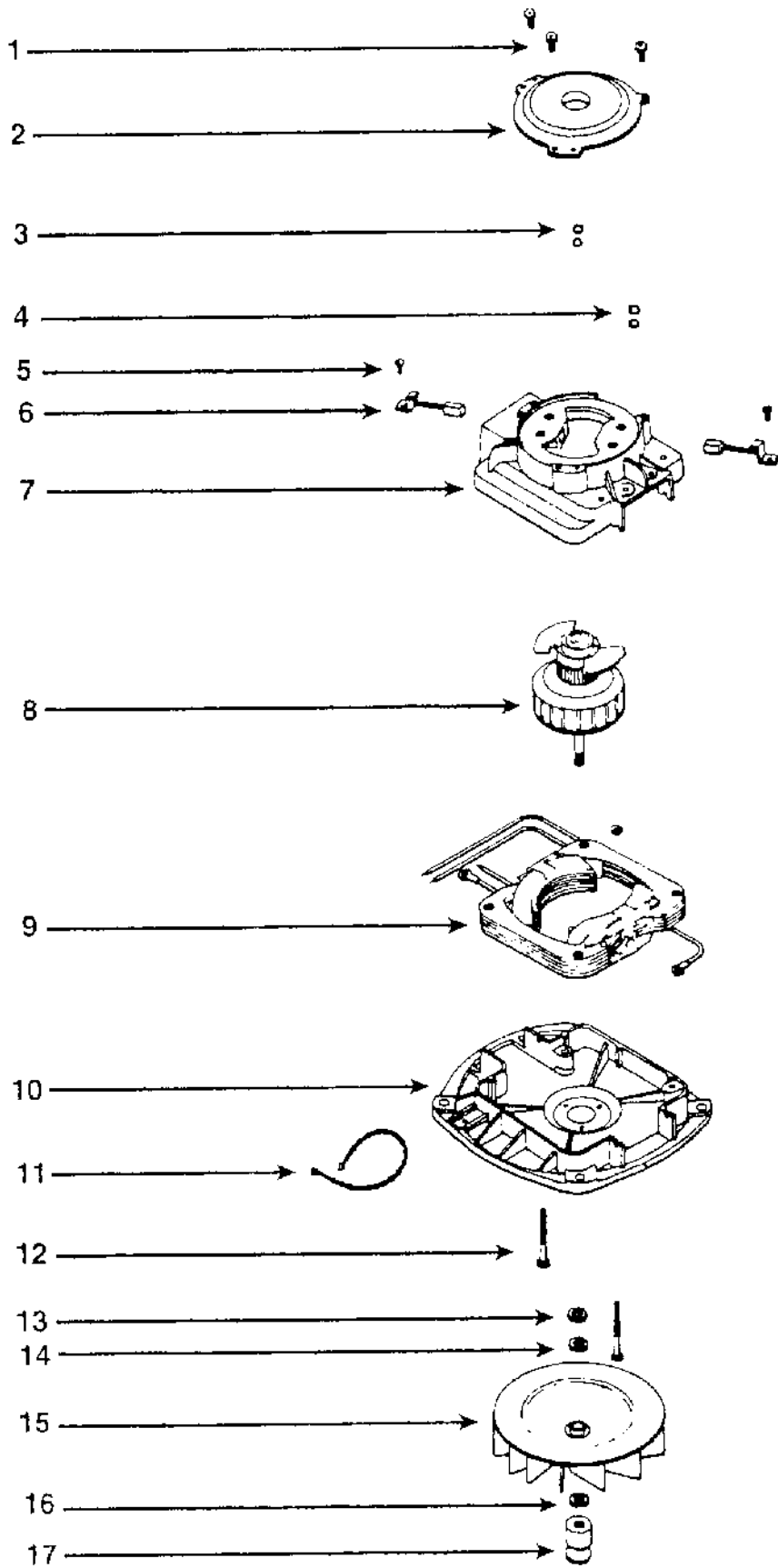
ITEM #	PART #	DESCRIPTION
1.	20722	Shoulder screw (Package of 10, 1 used)
2.	220200	Knob assembly
3.	220201	Hood & graphics
4.	17319	Wire nut (Package of 10, 3 used)
5.	20727	Motor screw (Package of 10, 1 used)
6.	27756	Motor assembly
7.	13684	Motor seal gasket
8.	13686	Foot pedal spring (Package of 5, 1 used)
9.	20726	Adjustment screw (Package of 10, 4 used)
10.	20730	Screw & clamp set
11.	20731	Wheel cover
12.	220211	Screw (2 used)
13.	220202	Strain relief bushing (Package of 10, 1 used)
14.	220203	Bushing bracket
15.	220204	Switch button
16.	220205	Clip switch
17.	220208	Push switch
18.	20726	Motor mounting screw (Package of 10, 3 used)
19.	220229	Separator assembly
20.	220230	Wire & terminal
21.	13685	Foot pedal
22.	17305	Adapter retainer spring
23.	20732	Screw (Package of 10, 1 used)
24.	220212	Base assembly includes the following:
	20734	Cam (R.H.)
	20735	Cam (L.H.)
	20736	Rivet - Cam (Package of 10, 2 used)
	20737	Washer (Package of 10, 2 used)



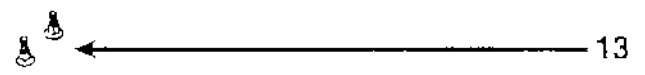
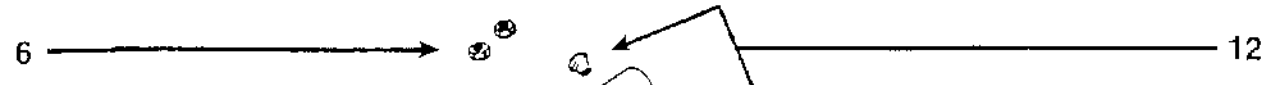
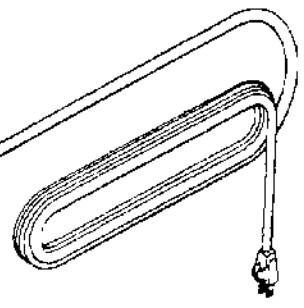
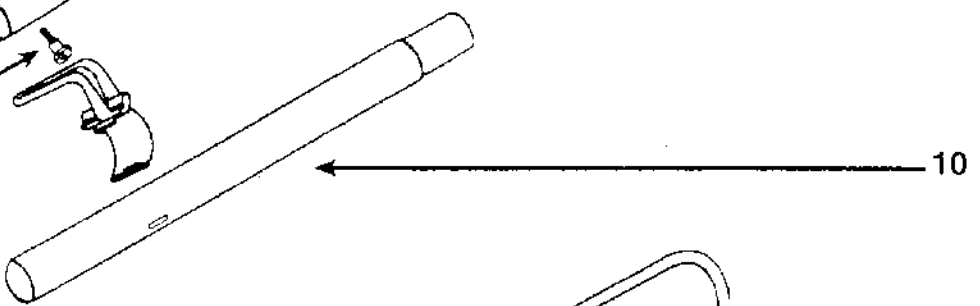
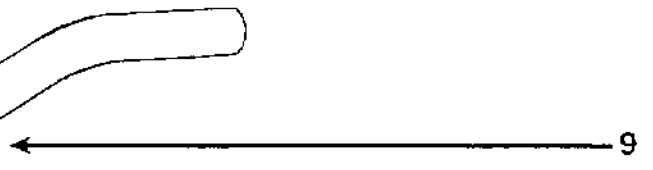
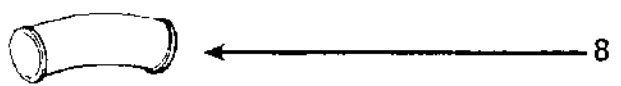
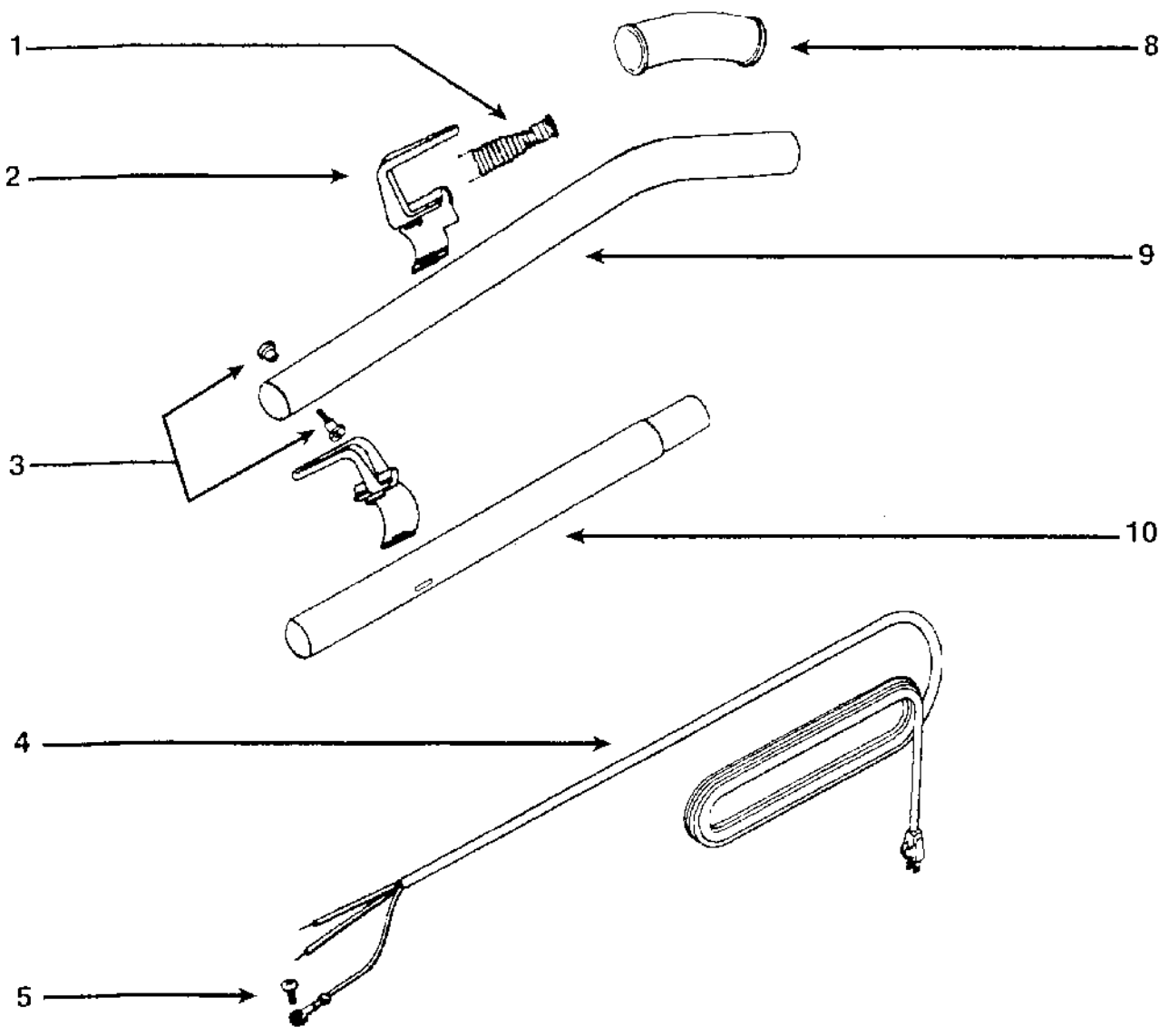
ITEM #		PART #	DESCRIPTION
1.		220213	Furniture guard
2.		13704	Clip (Package of 5, 1 used)
3.		20732	Screw (Package of 10, 1 used)
4.		13879	Front wheel
5.	*	21636	Disturbulator assembly complete
6.		220215	Lock nut (Package of 10, 2 used)
7.		23260	Cap cover (2 used)
8.		23255	Disturbulator cap (2 used)
9.		220214	Disturbulator tube
10.		220217	Shaft
11.		13718	Foam tape
12.	**	21637	Bottom plate assembly
13.		13702	Rear axle
14.		13877	Rear wheel
15.		13878	Front axle
16.		20743	Axle spring (Package of 6, 1 used)
17.		13710	Belt
18.		23291	Bristle strip assembly
19.		220216	Klipring (Package of 10, 2 used)
20.		220219	Bearing retainer (2 used)
21.		220218	Felt washer

* Item 5 includes items 6, 7, 8, 9, 10, 18, 19, 20 & 21

** Item 12 includes item 11

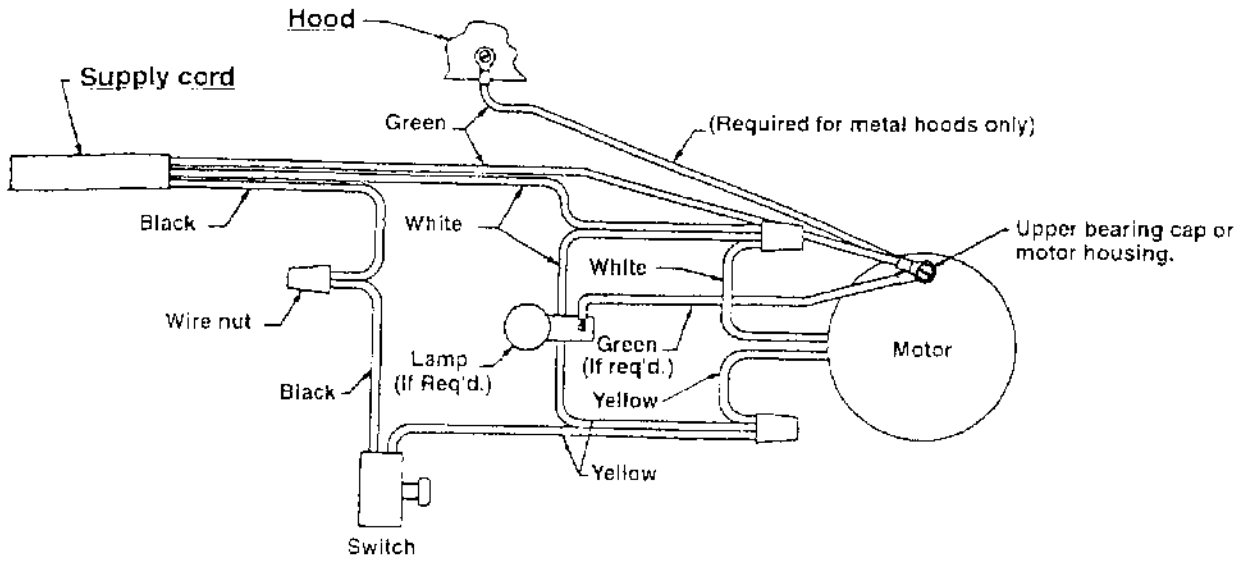
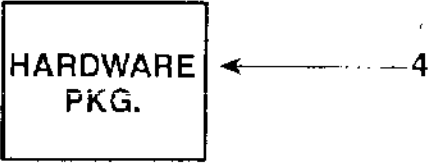
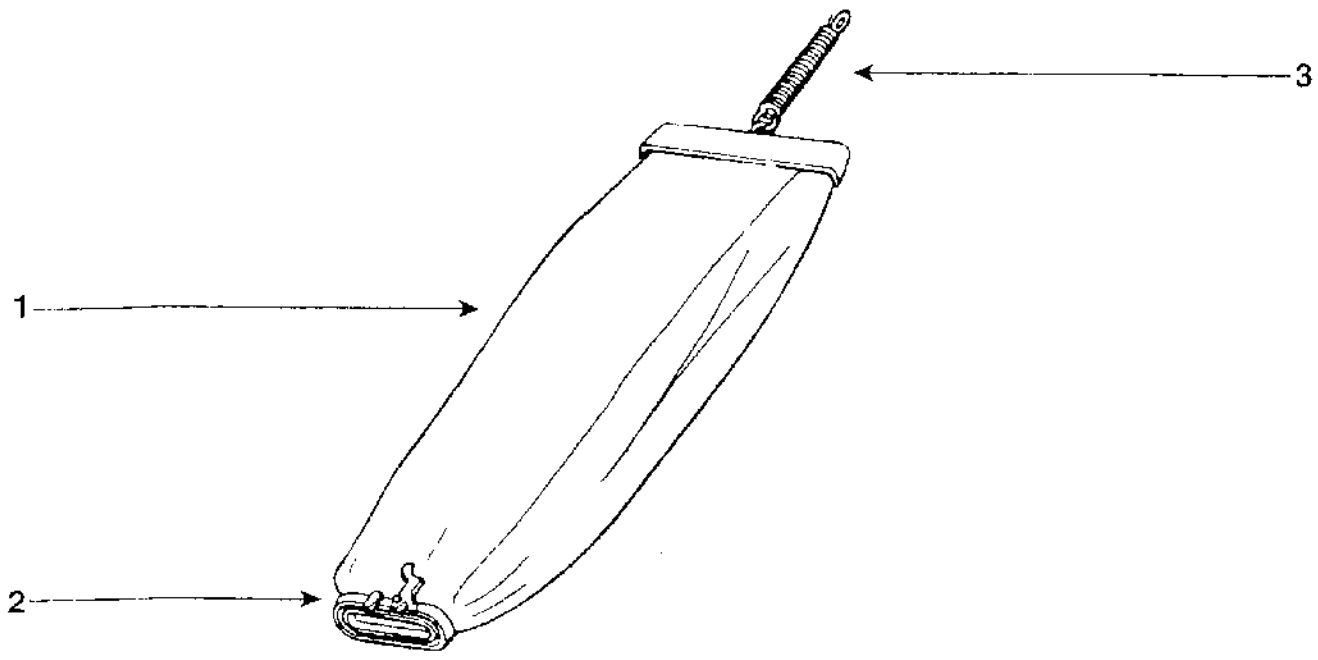


ITEM #	PART #	DESCRIPTION
1.	20751	Retainer screw (Package of 10, 3 used)
2.	13881	Retainer assembly
3.	20752	Hex nut (Package of 10, 4 used)
4.	13755	Lockwasher (Package of 10, 2 used)
5.	17317	Brush screw (Package of 10, 2 used)
6.	13751	Motor brush assembly (2 used)
7.	13752	Motor cover
8.	27776	Arm, fan, & bearing assembly includes the following:
	13883	Bearing (Package of 5, 1 used)
	20753	Fan
9.	27779	Field assembly
10.	20755	Motor base assembly includes the following:
	14585	Bearing & retainer assembly
	13883	Bearing (Package of 5, 1 used)
	14588	Rivet (Package of 10, 3 used)
11.	27780	Tie fastener (Package of 10, 1 used)
12.	20757	Orlo thread screw (Package of 10, 2 used)
13.	13759	Washer (Package of 10, 1 used)
14.	20758	Fan washer (Package of 10, 1 used)
15.	20759	Fan
16.	20758	Fan washer (Package of 10, 1 used)
17.	20760	Pulley



ITEM #	PART #	DESCRIPTION
1.	20762	Spring (Package of 5, 1 used)
2.	20763	Cord retainer set
3.	20765	Screw & nut assembly (Package of 6, 1 used)
4.	20768	Supply cord
5.	13700	Screw (Package of 10, 1 used)
6.	20770	Nut (Package of 10, 2 used)
7.	20769	Handle socket assembly
8.	21658	Handle grip
9.	* 20764	Upper handle assembly
10.	20767	Lower handle tube
11.	20727	Screw (Package of 10, 2 used)
12.	20765	Screw & nut assembly (Package of 6, 1 used)
13.	20771	Bolt (Package of 10, 2 used)

* Item 9 includes item 8



36575 WIRING DIAGRAM

ITEM #	PART #	DESCRIPTION
1.	14059	Bag assembly with zipper
2.	20775	Bag adapter & gasket assembly
3.	13763	Spring
4.	220227	Hardware package includes the following: 1 Cord retainer set 2 Handle screw assembly
	14058	Package of 3 disposable bags (Not illustrated)
	13894	Gasket (Not illustrated)
	20776	Washer (Not illustrated)
	220226	Garter spring (Not illustrated)