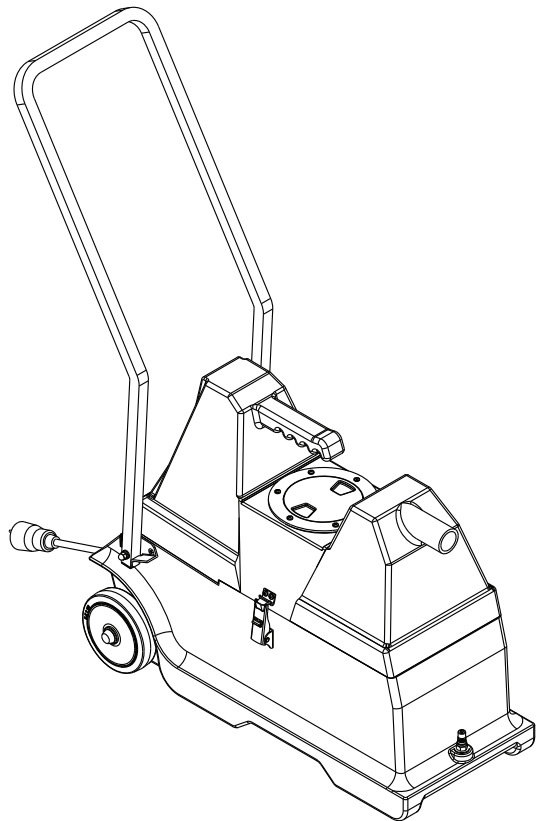


U.S. PRODUCTS

SPOTTER

INFORMATION AND OPERATING INSTRUCTIONS

MODELS: SPOTTER, SPOTTER-240, SPOTTER-DZ
SPOTTER-B, SPOTTER-S



**CAUTION: DO NOT OPERATE MACHINE UNTIL YOU HAVE READ
ALL SECTIONS OF THIS INSTRUCTION MANUAL**



IMPROPER USE OF THE MACHINE WILL VOID THE WARRANTY

1. Keep all filters clean. Do not operate the machine if the filters are clogged.
2. All extension cords must be 18/3 and no longer than 50 ft.
3. Do not let the pump run dry. Always turn the switch OFF when you are not actively cleaning
4. Always use defoamer in the recovery tank to prevent damage to the vacuum motor.
5. Use the Spotter indoors only, and only for it's designed purpose.
6. Always empty the recovery tank when refilling the water in the tank(s).
7. Use approved chemicals only. NEVER use solvents.

INTRODUCTION

This manual will help you get the most from your equipment. Read it thoroughly before operating the machine.

This product is intended for commercial use only.

PARTS AND SERVICE

Repairs, when required, should be performed by your Authorized Service Center, who employs factory trained service personnel, and maintains an inventory of original replacement parts and accessories.

Call for repair parts or service. Please specify the Model and Serial Number when discussing your machine.

MODIFICATIONS

Modifications and additions to the cleaning machine which affect capacity and safe operation shall not be performed by the customer or user without prior written approval from the manufacturer. Unapproved modifications will void the machine warranty and make the customer liable for any resulting accidents.

NAMEPLATE

The Model and Serial Number of your machine are shown on the Nameplate. This information is needed when ordering repair parts for the machine. Use the space below to note the Model and Serial Number of your machine for future reference.

Model _____

Serial Number _____

UNPACKING THE MACHINE

When the machine is delivered, carefully inspect the shipping carton and the machine for damage. If damage is evident, save the shipping carton so that it can be inspected.

CLEANING SOLUTIONS:

Use only approved chemicals. Liquid cleaning detergents are recommended; powdered chemicals may be used, but unless mixed thoroughly, they may cause a build-up in the pump, the lines, the quick couplers, etc. High acid concentration, as in citrus based cleaners, or strong detergent preparations, can damage the pump seals and/or other fittings, and are expressly warned against. A pH of between 5 and 10 is recommended.

Damage caused by either strong acid or strong detergent will void the warranty.

WARNING!

The Products sold with this Manual contain or may contain chemicals that are known to certain governments (such as the State of California, as identified in its Proposition 65 Regulatory Warning Law) to cause cancer, birth defects or other reproductive harm. In certain locations (including the State of California) purchasers of these Products that place them in service at an employment job site or a publicly accessible space are required by regulation to make certain notices, warnings or disclosures regarding the chemicals that are or may be contained in the Products at or about such work sites. It is the purchaser's responsibility to know the content of, and to comply with, any laws and regulations relating to the use of these Products in such environments. The Manufacturer disclaims any responsibility to advise purchasers of any specific requirements that may be applicable to the use of the Products in such environments.

IMPORTANT SAFETY INSTRUCTIONS

This machine is only suitable for commercial use, for example in hotels, schools, hospitals, factories, shops and offices other than normal residential housekeeping purposes.

When using any electrical appliance, basic precautions should always be followed, including the following:

NOTE: Read all instructions before using this machine.

WARNING!

To reduce the risk of fire, electric shock, or injury:

- Do not leave the machine unattended when it is plugged in. Unplug the unit from the outlet when not in use and before servicing.
- To avoid electric shock, do not expose to rain or snow. Store, and use, indoors.
- Do not allow to be used as a toy. Close attention is necessary when used near children.
- Use only as described in this manual. Use only the manufacturer's recommended attachments.
- Never add water over 130° F/54° C to the solution tank.
- Do not use with damaged cord or plug. If the machine is not working as it should, has been dropped, damaged, left outdoors or dropped into water, return it to a service center.
- Do not pull by the cord, use the cord as a handle, close a door on the cord, or pull the cord around sharp edges or corners. Do not run the machine over the cord. Keep the cord away from heated surfaces. To unplug, grasp the plug, not the cord.
- Do not handle the plug, the cord, or the machine with wet hands.
- Extension cords must be 18/3 and no longer than 50 feet (15M). Replace the cord or unplug immediately if the ground prong becomes damaged.
- Do not put any object into openings. Do not use with any opening blocked; keep free of dust, lint, hair, and anything that may reduce air flow.
- Keep loose clothing, hair, fingers, and all parts of body away from openings and moving parts.
- Do not pick up anything that is burning or smoking, such as cigarettes, matches, or hot ashes, or any health endangering dusts. Do not use to pick up flammable or combustible liquids such as gasoline or use in areas where they may be present.
- Turn off all controls before unplugging.
- Use extra care when cleaning on stairs.
- Connect to a properly grounded outlet only.
- Liquid ejected at the spray nozzle could be dangerous as a result of its temperature, pressure, or chemical content.

SAVE THESE INSTRUCTIONS

120VAC GROUNDING INSTRUCTIONS

This appliance must be grounded. If it should electrically malfunction, grounding provides a path of least resistance for electric current to reduce the risk of electric shock. This appliance is equipped with a cord having an equipment-grounding conductor and grounding plug. The plug must be plugged into an appropriate outlet that is properly installed and grounded in accordance with all local codes and ordinances.

⚠ DANGER!

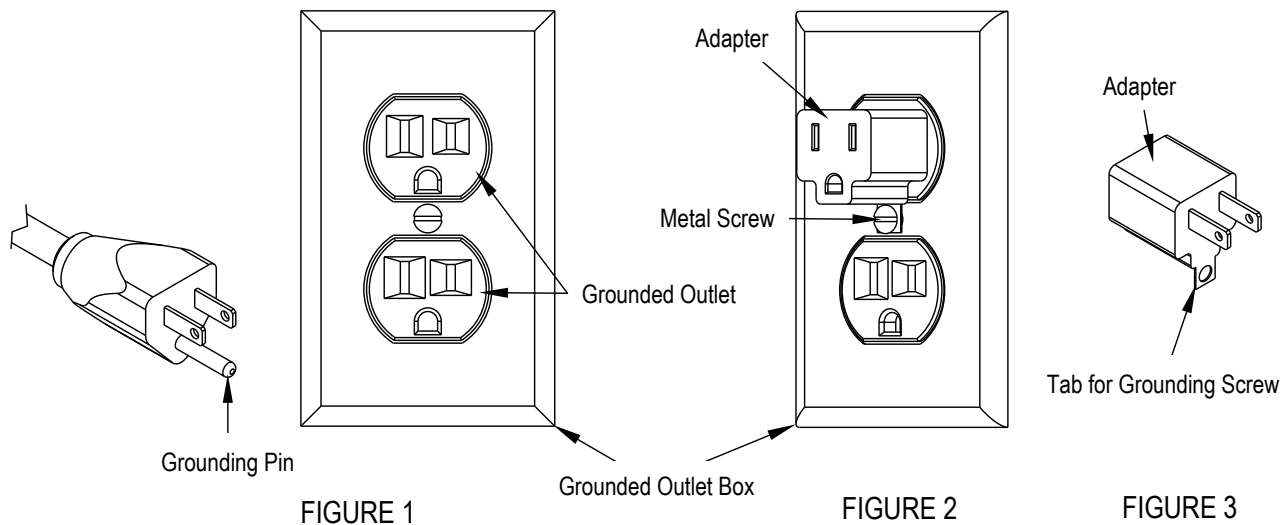
Improper connection of the equipment-grounding conductor can result in a risk of electric shock. Check with a qualified electrician or service person if you are in doubt as to whether the outlet is properly grounded. Do not modify the plug provided with the appliance. If it will not fit the outlet, have a proper outlet installed by a qualified electrician.

This appliance is for use on a nominal 120-volt circuit, and has a grounding plug that looks like the plug illustrated in Figure 1 below. A temporary adapter illustrated in Figures 2 and 3 may be used to connect this plug to a 2-pole receptacle as shown in Figure 2 if a properly grounded outlet is not available. The temporary adapter should be used only until a properly grounded outlet (Figure 1) can be installed by a qualified electrician. The green-colored rigid ear, tab, or the like extending from the adapter must be connected to a permanent ground such as a properly grounded outlet box cover. Whenever the adapter is used, it must be held in place by a metal screw. Grounding adapters are not approved for use in Canada.

Replace the plug if the grounding pin is damaged or broken.

The Green (or Green/Yellow) wire in the cord is the grounding wire. When replacing a plug, this wire must be attached to the grounding pin only. Extension cords connected to this machine should be 12 gauge, three-wire cords with three-prong plugs and outlets. DO NOT use extension cords more than 50 feet (15 m) long.

PLEASE NOTE: FOR NORTH AMERICA ONLY



FEATURES:

Solution Tanks:

The Triple-Play Spotter has the unique design feature of having two, 1-gallon (3.75L) Solution Tanks (1 & 2). This allows you to have cleaning solution in one tank and clean water for rinsing in the other tank. Simply turn the Solution Valve (3) on the rear of the machine to switch from one tank to the other. There is no need to empty your detergent tank, clean it, and refill it with water for the rinse cycle.

Vacuum Tank:

The Vacuum Tank (4) holds more liquid than the total of both the Solution Tanks (1 & 2), so you can easily clean an area and rinse it without the need to empty your vacuum tank. When you refill your solution tanks, simply remove the vacuum hose from the recovery tank and dump the water out through the Vacuum Inlet (5).

⚠ CAUTION!

- To prevent damage to the vacuum motor, do not let the water level in the Vacuum Tank (4) exceed 3/4 full.
- When moving the machine with water in any of the tanks, do not tip the machine past a 30° angle to avoid spilling water into the vacuum chamber which will damage the vacuum motor.

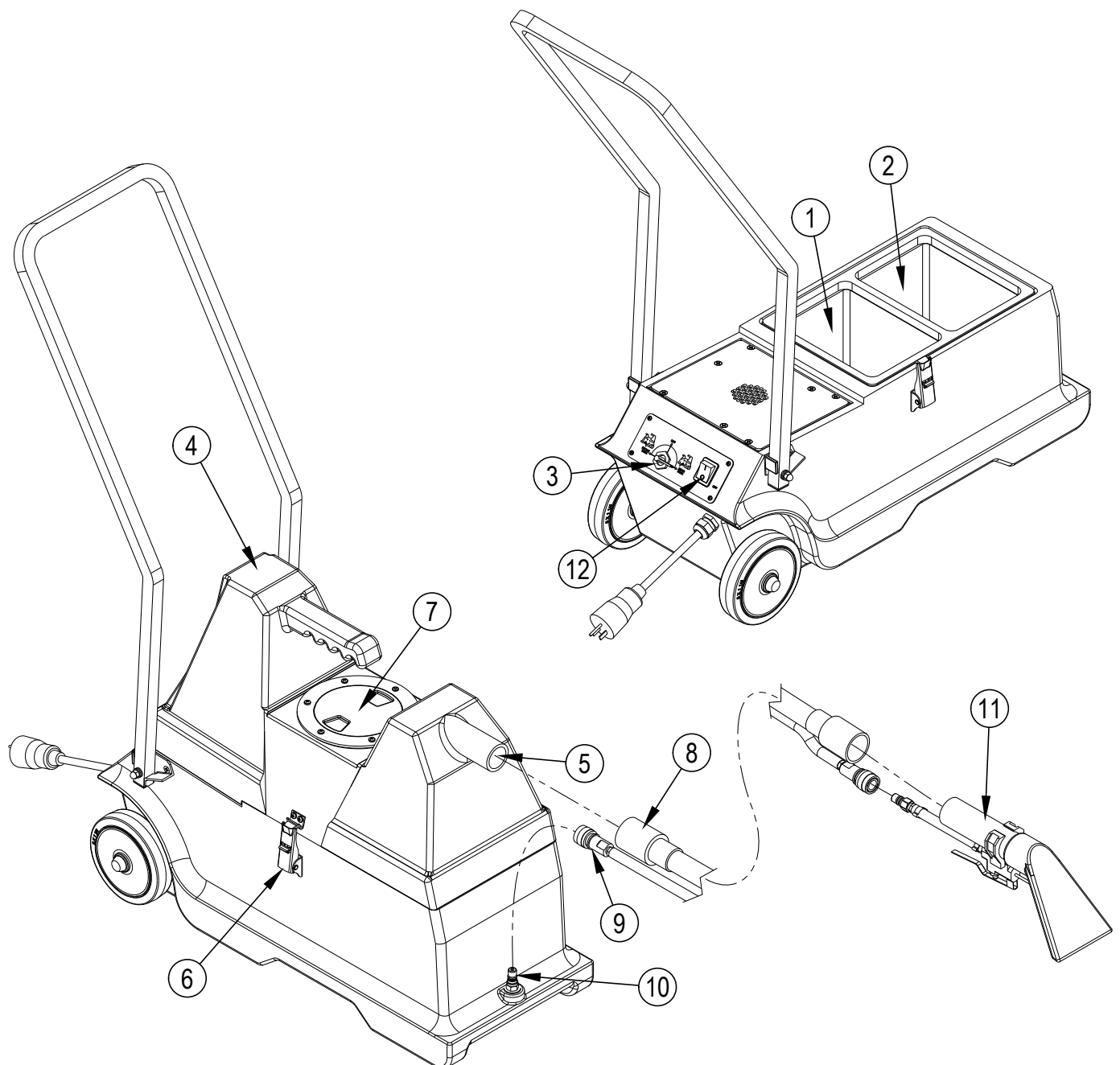
SET-UP:

1. Open the Latches (6) and remove the Vacuum Tank (4) from the machine.
2. Fill the Solution Tanks (1 & 2) -- one tank will hold your diluted cleaning chemical and the second tank will hold clean water.
3. Place the Vacuum Tank (4) back onto the base, and secure the Latches (6). Make sure the Screw-in Access Lid (7) is in place and tight.
4. Attach the Vacuum Hose (8) to the Vacuum Inlet (5) on the Vacuum Tank (4).
5. Connect the Solution Line (9) to the Quick Coupling (10) on the front of the spotter base.
6. Attach the Cleaning Tool (11) to the other end of the Vacuum Hose (8) and Solution Line (9).
7. Turn the knob on the Solution Valve (3) to the desired tank.
8. Turn the Rocker Switch (12) on. This will start the pump and the vacuum.
9. Press the lever on the tool to begin spraying.

NOTE: It may take a few seconds for the solution to reach the spray tip. The tool will automatically suck up the sprayed solution as the tool passes over the wet area.

NOTE: When switching from one tank to the other tank, it may take a few seconds of spraying for the solution in the selected tank to reach the spray tip.

10. When finished with the job, disconnect the hoses from the Spotter, remove and empty the Recovery Tank (4), then dump the water out of the Solution Tanks (1 & 2) and clean them.



TROUBLESHOOTING**⚠ CAUTION!**

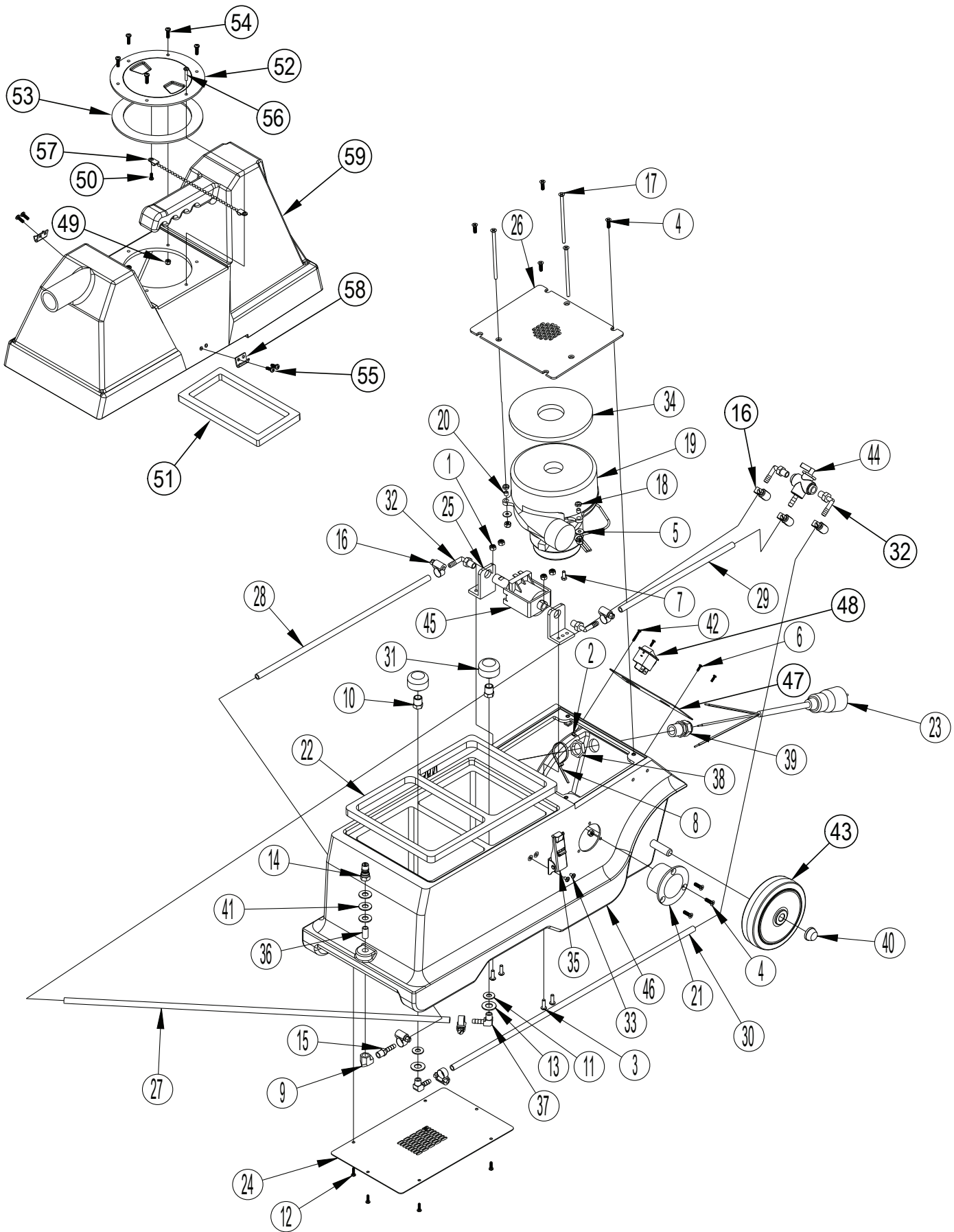
ALWAYS UNPLUG THE MACHINE BEFORE YOU DO ANY INTERNAL TROUBLESHOOTING

IF THIS OCCURS	CHECK THIS
Pump Not Working	Check Electrical Connections
Vac Motor Not Working	Check Electrical Connections

SPECIFICATIONS AND FEATURES:

Solution Tank:	1 gallon - 3.785 liters
Rinse Tank:	1 gallon - 3.785 liters
Recovery Tank:	2.5 gallons - 9.5 liters
Pump:	55 PSI
Tangential Vacuum:	90-inch lift/97 CFM
Power Cable:	25-foot (8M) length 18/3 w/hospital grade plug
Hand Tool:	3.5-inch (9cm) stainless steel/clear resin
Transport:	5-inch (13cm) wheels w/folding handle
Weight:	29 lbs. (13kg)
Dimensions:	25" L x 10.5" W x 19" H (63cm x 26.5cm x 48cm)
Warranty:	2-year limited
Optional Equipment:	Lightweight floor wand

TRIPLE PLAY SPOTTER



TRIPLE PLAY SPOTTER

Item	Ref. No.	Qty	Description
1	17	10	Nut-Nylon Lock-Ss-10-32
2	18	1	Nut-Hex Nyl Loc Ss 4-40
3	21	4	Screw 10-32 X 5/8 Socket
4	22	7	Fhp-10-32 5-8
5	24	3	Washer-Flat-Ss-10
6	28	3	Screw-Php-Ss-4x3/8-Sms
7	30	1	Screw 10-24 X 1/2 Hex Hea
8	35	1	Tie 4 Black Weather Resis
9	90	1	Elbow 90 Brass1/8 Fm .X 1/
10	97	2	Bushing Pipe 1/4 Male Pipe X
11	265	2	Washer Buna 11/32 X .0625 Thick
12	267	6	Screw-Php-Ss-6x1/2-Sms
13	357	2	Washer 7/16 An Flat Ss
14	374	1	Quick Disconnect Plug 1/8 K
15	384	1	Hose Barb Brass 1/8 Mpt X 1/
16	385	8	Hose Clamp 1/4 X 5/8 X 7/16 Wi
17	386	3	Scr-Fit Phil Ss 10-32 X 4.00
18	390	3	Nut-Hex Machine 10-32
19	408	1	Vac Motor, 120v
	407A	1	Vacuum Motor 5.7 240 V 2- (SPOTTER-240)
20	416	0.75"	Tubing Teflon 3/16 Id X .03
21	440	1	Flange Exhaust Black Polypr
22	981	1	Gasket Tank 11-1/2 X 8-3/1
23	984	1	Power Cord 18/3 SjtW 25 B
	2019	300"	Powercord European Color Code (SPOTTER-240)
24	986	1	Plate Bottom Cover Spotter
25	990	2	Bracket L For Spotter Pump
26	994	1	Plate-Mounting-Vacuum-Spotter
27	996	25.5"	Hose Braided 1/4 Id Clear
28	996	16"	Hose Braided 1/4 Id Clear
29	996	10.5"	Hose Braided 1/4 Id Clear
30	996	22.5"	Hose Braided 1/4 Id Clear
31	999	2	Filter 40 Mesh S/S 1/4 Npt
32	1000	4	Hose Barb 90 Deg Nylon 1/8 Mpt
33	1117	4	Scr-Pan Phil 8-32 X .25
34	2013	1	Gasket 1 Side Adhesive 5-1/2 O
35	56471194	2	Latch Assembly
36	56750746	1	Nipple, 1/8npt X .75
37	56755726	2	Barb, Hose Male
38	230A	1	Nut-Lock-Nylon
39	230USP	1	Retainer Power Cord Water T
40	27AUSP	2	Axel Cap Black Pal Nut
41#	306AB	3	Washer-Flat-Hh-Brass-7/8odx.412idx1/16 Thick
42	315A	1	Screw-Php-Ss-Zp-4-40x3/4-MS
43	39857A	2	Wheel 5 X 1.50 X .500
44	988B	1	Valve 3-Way For Spotter & Apc
45	989USP	1	Pump 55 Psi 120v For Spotter
	989A	1	Pump 55 Psi W/ Viton Seal For (SPOTTER-240)
46	FP454	1	Holding Tank Spotter-Black (SPOTTER, SPOTTER-240, SPOTTER-B)
	56381319	1	Holding Tank-Spotter Mold KB (SPOTTER-DZ)
	56381360	1	Holding Tank-Spotter Mold TEAL (SPOTTER-S)
47	987	1	Switchplate Spotter
48	2123	1	Switch Rocker Dpst W/Light 120
	48G	1	Switch Rocker Spst W/Light 230 (SPOTTER-240)
49	325	6	Nut-Nylon Lock-Ss-8-32
50	808	1	Screw 6x3/8 S/S Trusshead P
51	980	1	Gasket Vacuum Seal 2.9 X 6
52	983	1	LID And RING 4 LID CLEAR
53	1074B	1	Gasket-Lid-Xlpe-4.5idx3/16 Thick
54	21C	5	Screw-Php-Ss-8-32x5/8
55	325C	4	Bolt-Php-Ss-8-32x1/2
56	382C	1	Screw 8-32 X 7/8 Panhead Phi
57	805USP	1	Chain-Cover
58	909A	2	Latch-Strike-Ss-No 8 Hole
59	56381341	1	Vac Tank-Spotter Mold Wht
	56381684	1	Vac Tank-Spotter Mold Red (SPOTTER-B)

= Revised or new since last update



425-322-0133 / 800-257-7982 / FAX: 425-322-0136
11015 - 47th Ave. W. / Mukilteo, WA 98275
VISIT US AT: <http://www.usproducts.com>