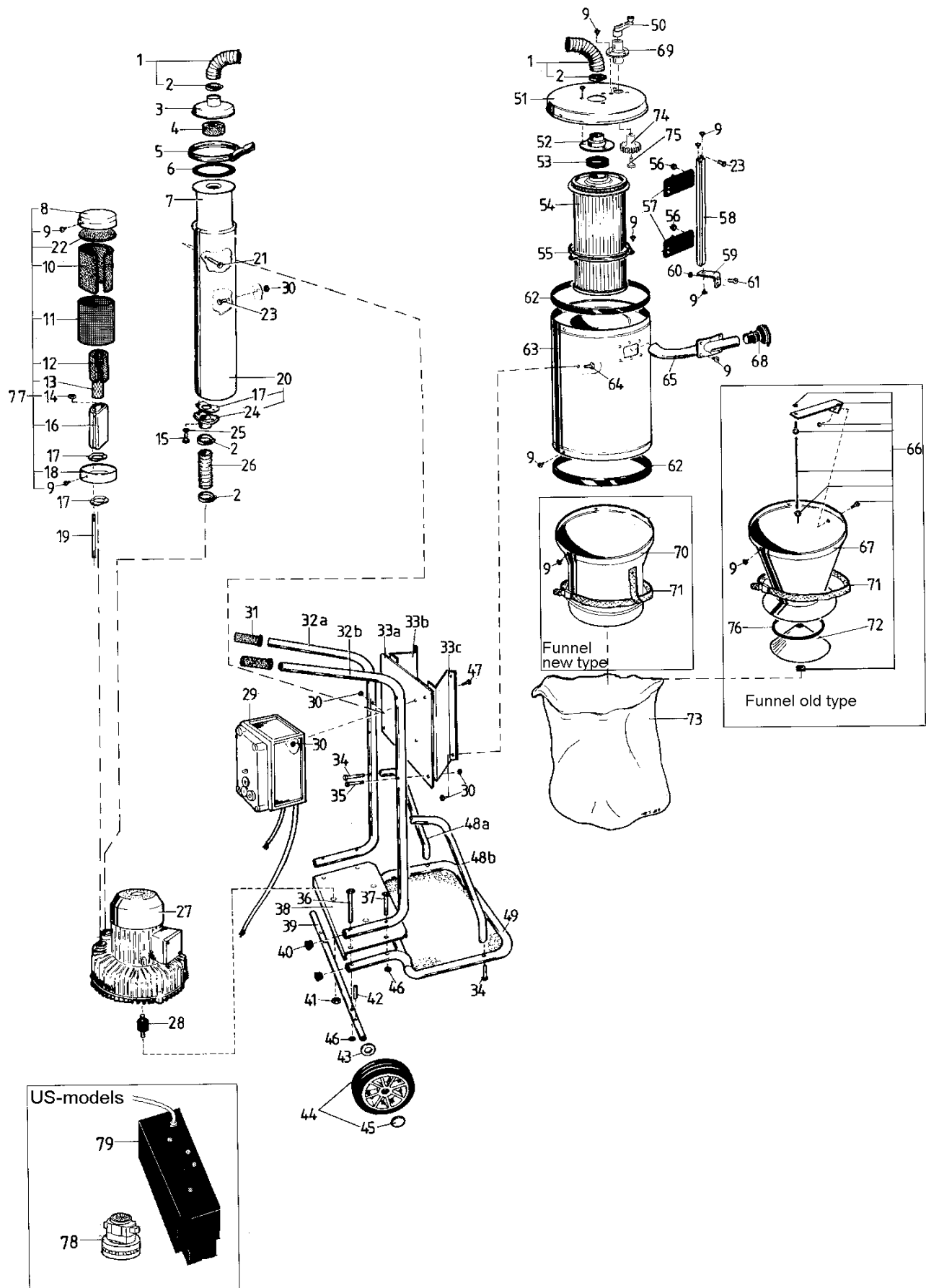
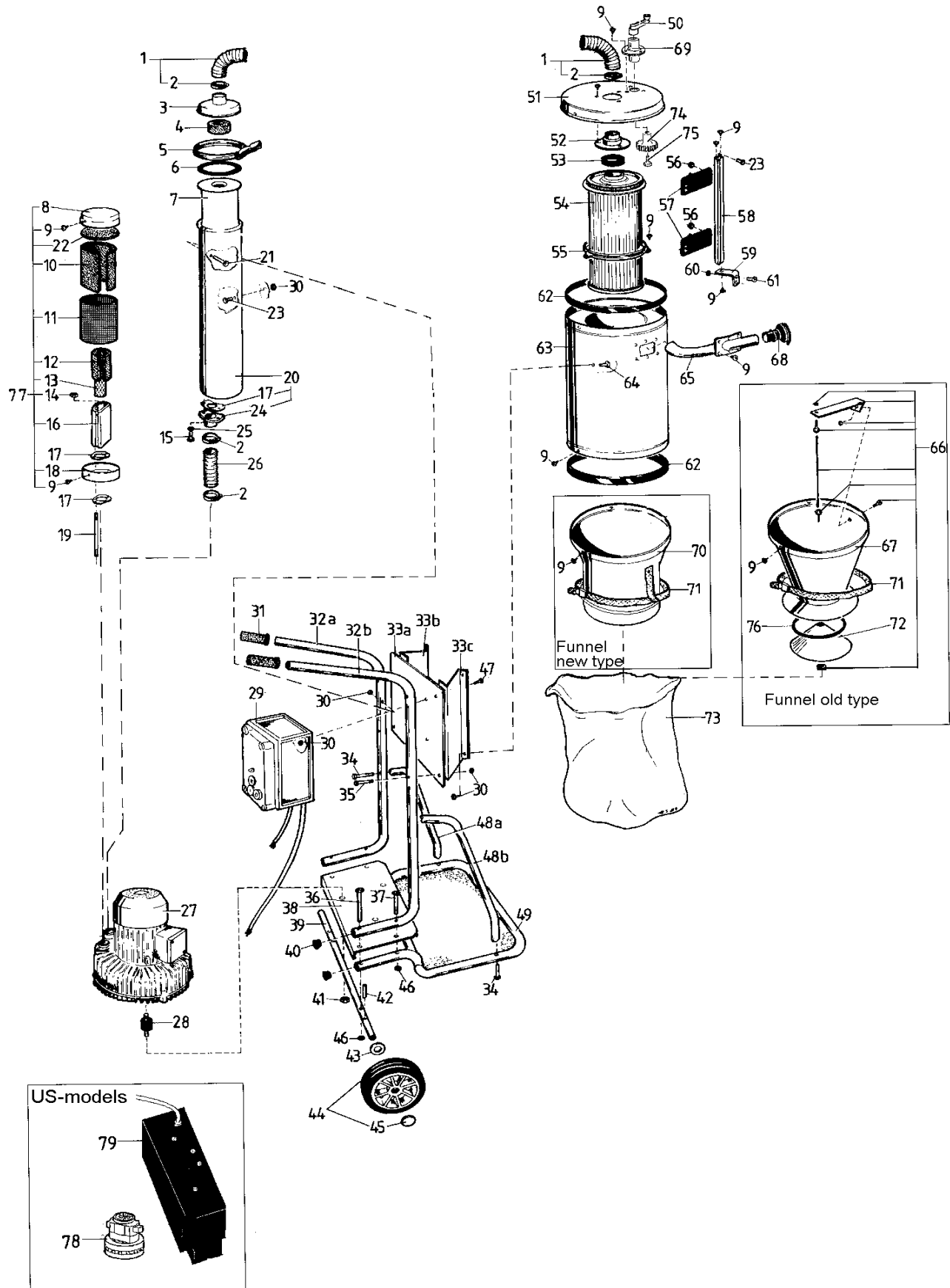
**DESCRIPTION****PLAN**

Base part, line-drawings,	G-11.3.1 - 2
Base part, part number	G-11.3.1 - 3
Base part, line drawing	G-11.3.1 - 4
Base part part numbers	G-11.3.1 - 5
El. boxt, line-drawings	G-11.3.1 - 6
El. box, part number	G-11.3.1 - 7
Nozzle & hose, line drawings	G-11.3.1 - 8
Nozzle & hose, part numbers	G-11.3.1 - 9



Pos	Qty.	Part no.	Description
1	2	142 0800 000	Hose, Ø 51 mm, length 500 mm
	2	>>142 0986 000	Hose, Ø 63 mm,
2	2	736 2843 510	Hose clip Ø 60-70 mm
3	1	142 0801 000	Cover, 51 mm
	1	>>142 0948 000	Cover, 63 mm
4	1	142 0802 000	Gasket
5	1	142 0803 000	Locking ring
6	1	142 0804 000	Gasket
7	1	140 6202 050	Filter 6-psc
8	1	142 0805 000	Cover
9	30	729 5340 010	Screw
10	1	142 0806 000	Silencer (foam-rubber mat)
11	1	142 0807 000	Grating
12	1		Silencer (foam-rubber mat), included in item 16
13	1		Grating, included in item 16
14	2	731 2318 010	Self locking nut, M8, Z. Pl.
15	1	725 2451 510	Screw M8x20 Z. Pl.
16	1	142 0808 000	Silencer cpl.
17	4	142 0809 000	Gasket, included in item 20
18	1	142 0810 000	Bottom cover
19	2	142 0811 000	Stud crew
20	1	142 0812 000	Filter pipe cpl.
21	1	725 2378 510	Screw M6x40 Z. Pl.
22	1	142 0813 000	Silencer (foam-rubber mat)
23	5	725 2366 510	Screw M6x12 Z.PI
24	1	142 0814 000	Connection, included in item 20
25	2	732 2118 010	Self lockning nut, M8 Z. Pl.
26	1	142 0815 000	Hose
27	1	142 0816 000	Motor, 3kW 200V
	1	142 0817 000	Motor 3kW 220/380V
	1	142 0818 000	Motor 3kW 415V
	1	142 0819 000	Motor 3kW 200V/60Hz
28	1	142 0820 000	Damper, 3 pcs.
29	1	See page 6-7	Electric box
30	10	732 2116 010	Self-locking nut M6 Z.PI
31	2	142 0825 000	Handle grip
32A	1	142 0828 000	Standpipe, left
32B	1	142 0829 000	Standpipe, right
33A	1	142 0830 000	Plate
33B	1	142 0831 000	Fastening plate, left
33C	1	142 0832 000	Fastening plate, right
34	4	725 2379 510	Screw M6x45 Z.PI.
35	4	725 2378 510	Screw M6x40 Z. Pl.
36	2	725 2388 510	Screw M6x90 Z. Pl.
37	2	725 2384 510	Screw Screw M6x70 Z. Pl.
38	1	142 0853 000	Motorplate
39	1	142 0826 000	Shaft
40	4	142 0827 000	Plug

>> Means: New or changed ref. number or/and changed/new specifications



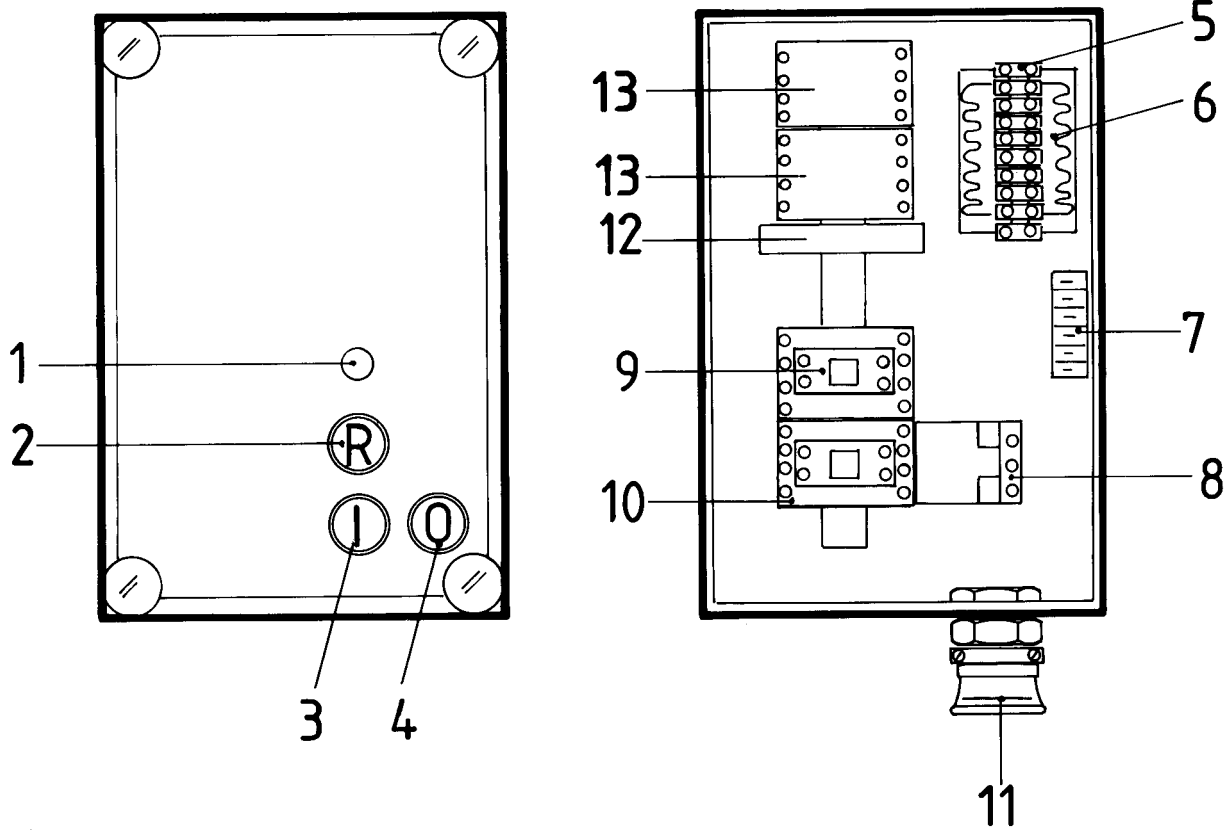
99-09	SPARE PARTS UZ 948	BOOK G		
00-05	BASE PART, PART NUMBERS	G	11.31	5

Pos	Qty.	Part no.	Description
41	6	732 2120 010	Self-locking nut, M10 Z. Pl.
42	2	721 4318 000	Spring pin, 5x50
43	2	734 1200 010	Washer Ø 26x45 Z. Pl.
44	2	093 3708 000	Wheel cpl. with locking cap
45	2	093 3709 000	Locking cap
46	4	732 2118 010	Self-locking nut, M8 Z. Pl.
47	4	724 1366 010	Screw, M6x12 Z. Pl.
48A	1	142 0833 000	Pipe, left
48B	1	142 0834 000	Pipe, right
49	1	142 0837 000	Bottom part
50	1	142 0838 000	Crank
51	1	>>142 0949 000	Cover
52	1	>>142 0985 000	Inlet, 63 mm
	1	142 0840 000	Inlet, 51 mm
53	1	142 0841 000	V-ring
54	1	142 0388 000	Filter
55	1	142 0842 000	Sealing ring
56	4	142 0854 000	Nut with flange, M6 Z. Pl.
57	1	142 0843 000	Flutter cleaners, set
58	1	142 0844 000	Bar
59	1	142 0845 000	Fastener for bar
60	4	732 2114 010	Self-locking nut, M5 Z. Pl.
61	4	724 1325 010	Screw MRX M5x10 Z. Pl.
62	2	142 0846 000	Protection ring
63	1	>>142 0984 000	Sweep
64	4	724 1364 010	Screw, MRX M5x10 Z. Pl.
65	1	>>142 0988 000	Hose connection
66	1	142 0850 000	Holder cpl. with wire
67	1	142 0851 000	Funnel, old type
68	2	>>142 0999 000	Cap
69	1	>>142 0870 000	Bearing
70	1	>>142 0987 000	Funnel cpl. new type
71	1	093 1823 000	Belt
72	1	142 0852 000	Cone valve
73		140 6203 010	Dustbag 30 pc.
74	1	>>142 0872 000	Sprocket
75	1	>>142 0871 000	Screw
76	1	142 0855 000	Sealing
77	1	>>142 0619 000	Silencer cpl.
78		>> 00 2008	Fan unit USA
79	1	>> UZ 948-M	Motor box USA

Label sticker/decals

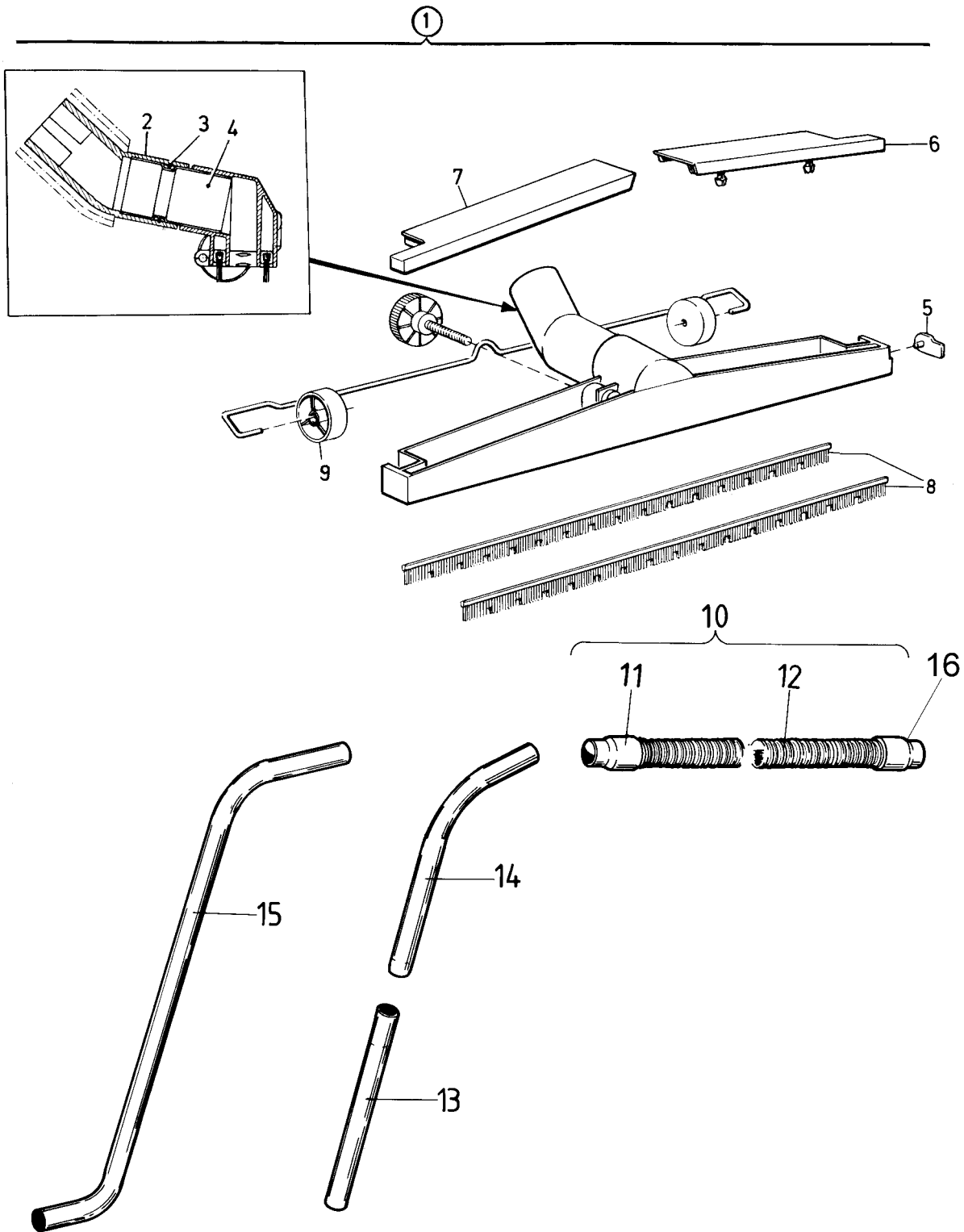
Nilfisk HD Series
140 7778 000
Euroclean HD Series
140 7781 000

>> Means: New or changed ref. number or/and changed/new specifications



Pos	Qty.	Part no.	Description
		142 0821 000	El. box cpl. 200V-50/60Hz 3~
		142 0822 000	El. box cpl. 220V-50/60Hz 3~
		142 0823 000	El. box cpl. 380V-50/60Hz 3~
		142 0824 000	El. box cpl. 415V-50/60Hz 3~
1	1	142 0856 000	Fuse, 2A
2	1	142 0859 000	Push button R
3	1	142 0857 000	Push button I
4	1	142 0858 000	Push button 0
5	1	762 7210 550	Terminal board
6	1	142 0860 000	Phase guard, 200V
	1	142 0861 000	Phase guard, 220-380V
	1	142 0862 000	Phase guard, 4115V
7	1	142 0863 000	Transformer
8	1	142 0864 000	Motor guard 200-380V
9	2	142 0868 000	Contact block
10	2	142 0866 000	Contacto
11	1	142 0348 000	Condiut
12*	1	142 0867 000*	Time relay*
13*	2	142 0866 000	Contacto

*Item no. marked with * are only for el.box with detail no, 142 0821 000 and 142 0822 000.



Pos	Qty.	Part no.	Description
1		140 3818 010	Brush nozzle cpl.
2	1	142 0290 000	Connection tube, Ø 55 mm
3	1	142 0291 000	Circlip
4	1	142 0292 000	Retainer for circlip
5	1	093 1678 000	Clip
6	1	093 1676 000	Cover, right
7	1 >>	093 1675 000	Cover, left
8	1	142 0289 000	Brush strip, front
	1	142 0295 000	Brush strip, rear
	1	142 0307 000	Rubber strip, front
	1	142 0308 000	Rubber strip, rear
9	2	093 1677 000	Wheel
10	1	140 6225 000	Hose cpl. 4 m
11	2	140 4044 000	Hose end
12	1	140 3493 000	Hose by the metre
13	2	140 6226 050	Suction tube, straight stainless
14	1	140 6226 040	Bent tube, stainless
15	1	140 6226 030	Suction tube
16	1 >>	142 0618 000	Hose connection

